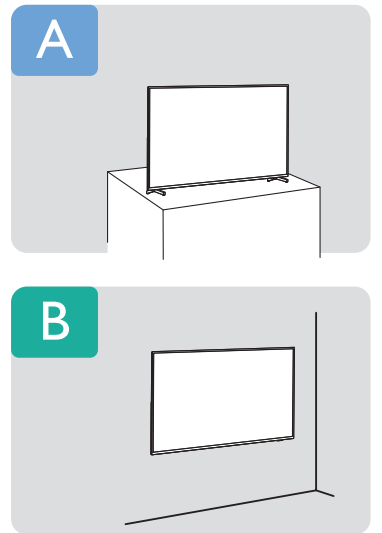
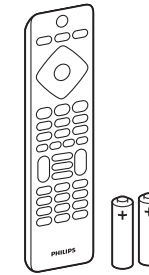
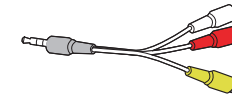
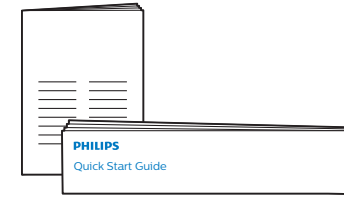
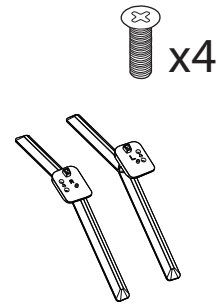
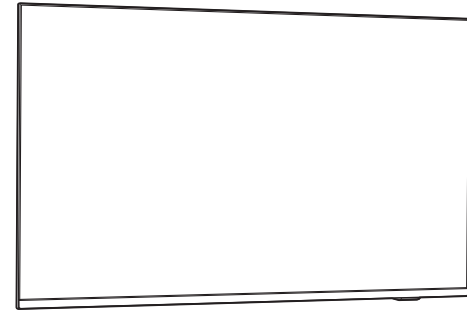
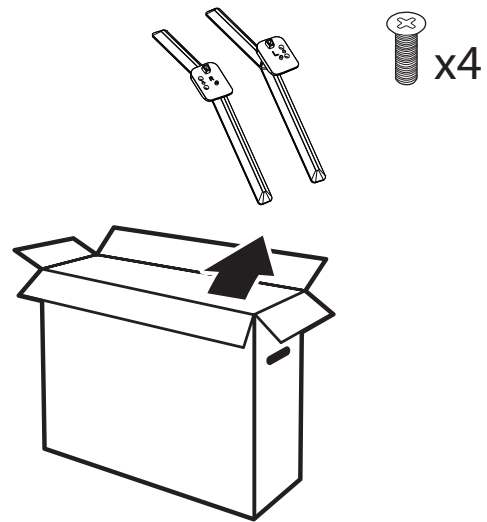


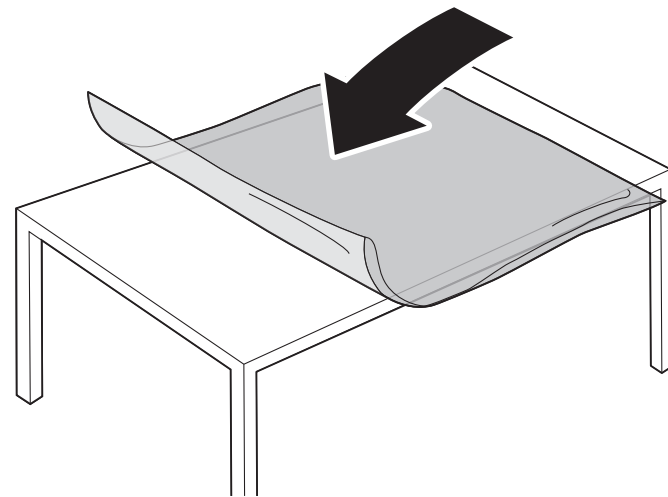
## 6915 series Quick Start Guide



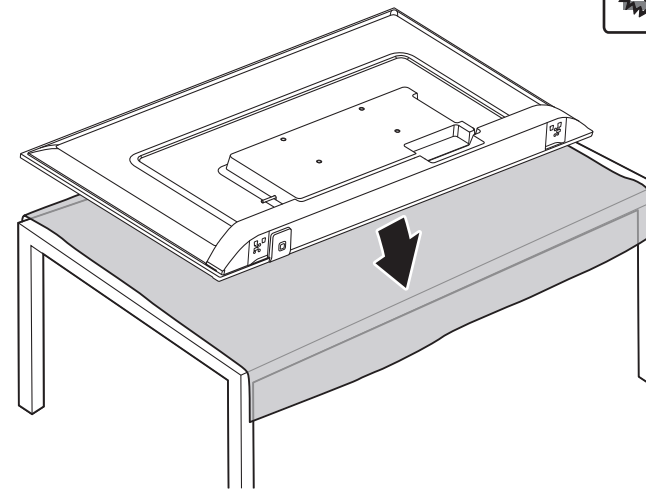
A



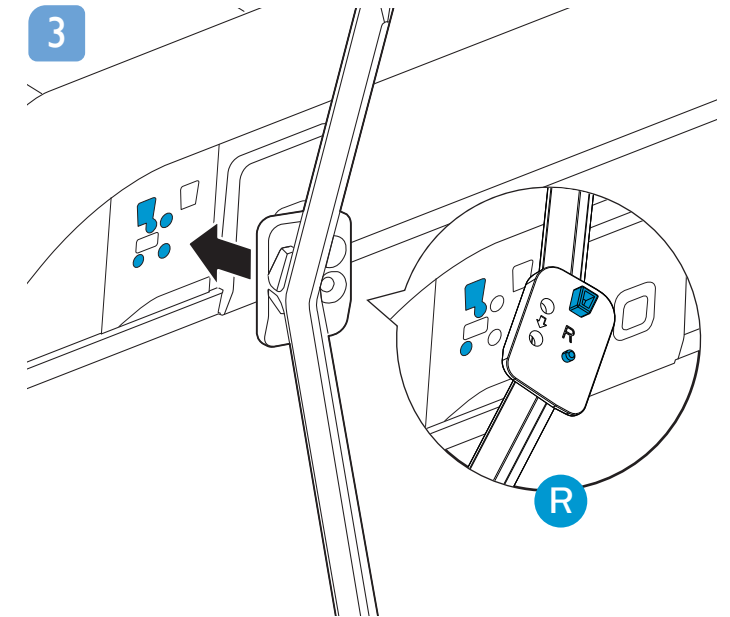
1



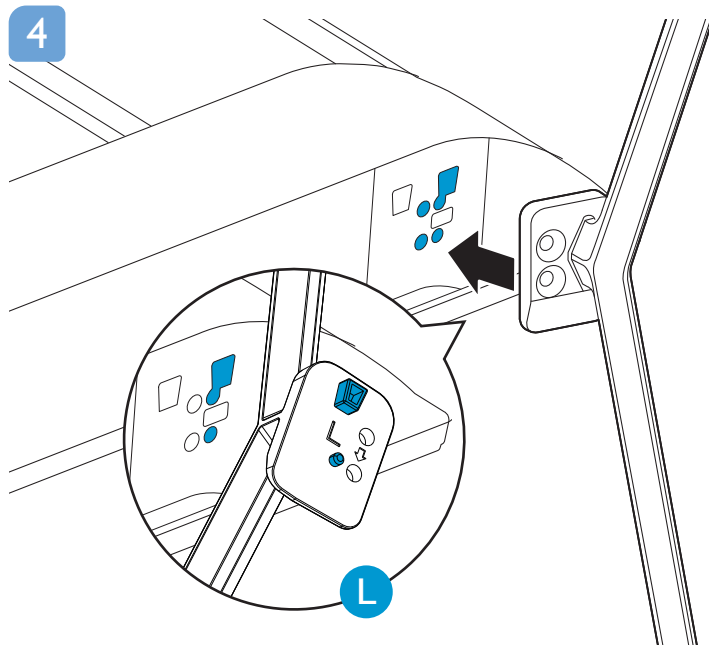
2



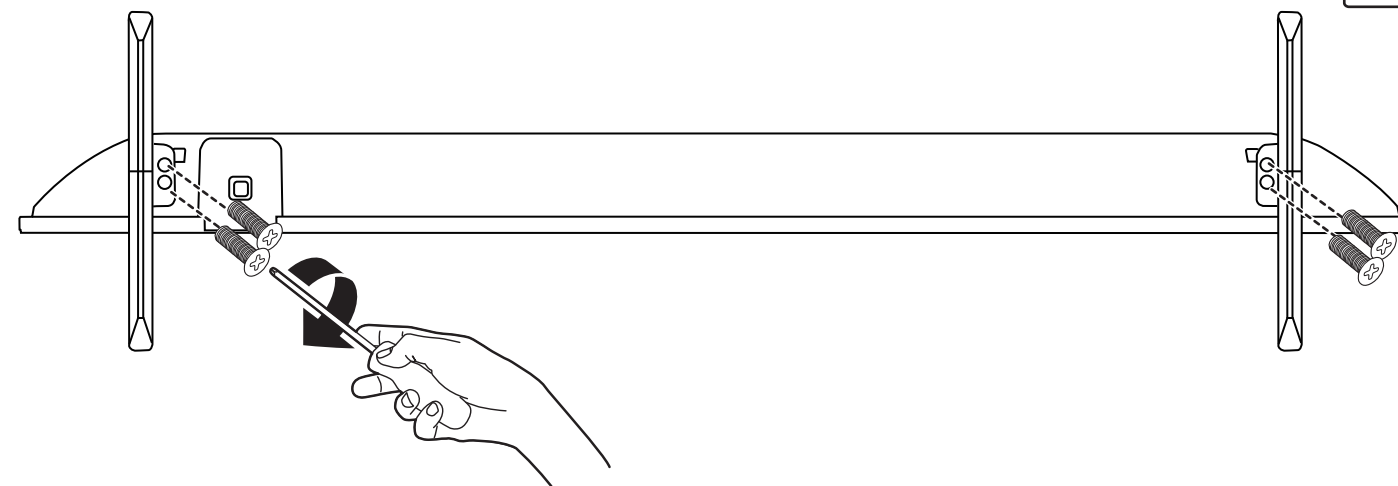
3



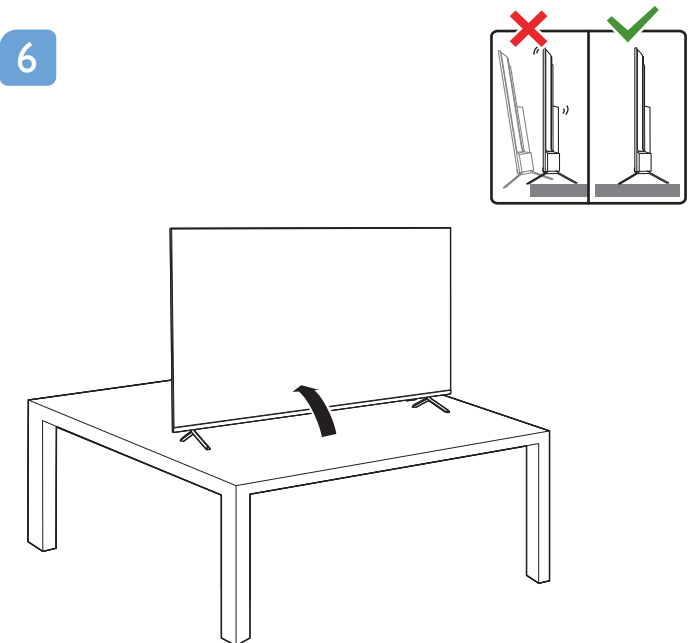
4



5



6

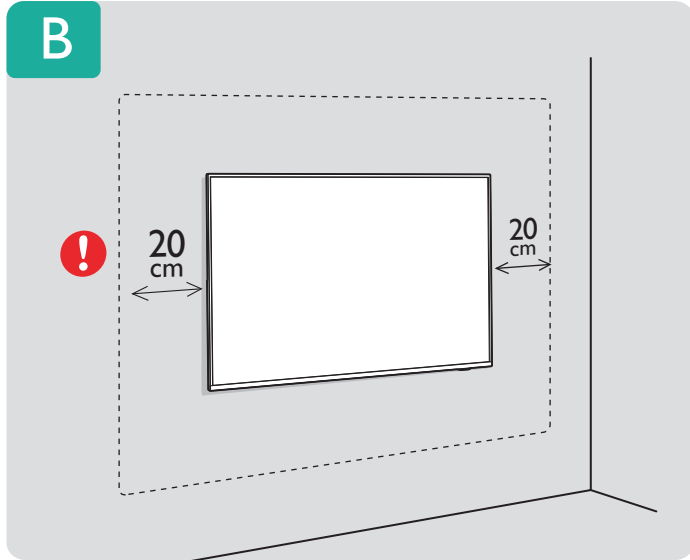
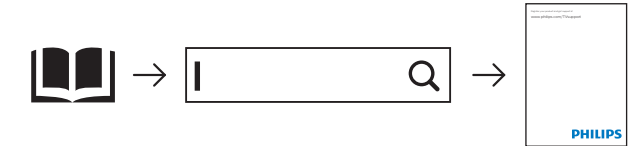




English Read the safety instructions.

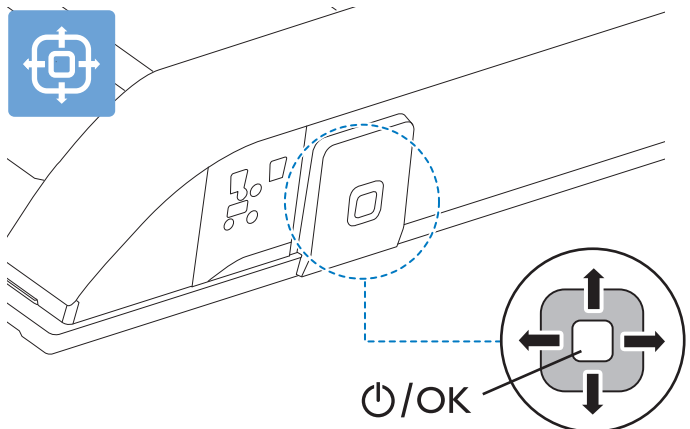
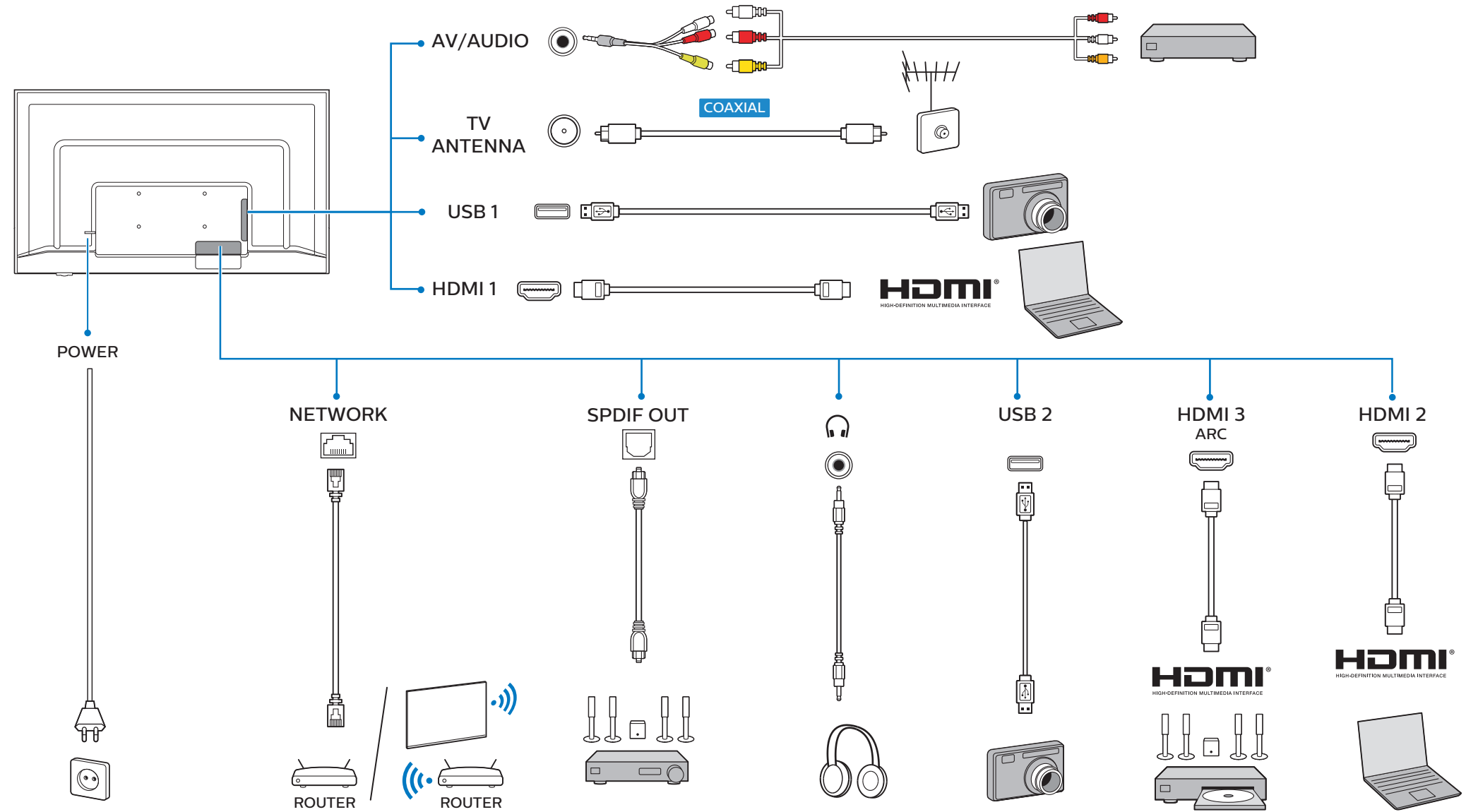
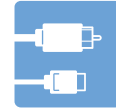
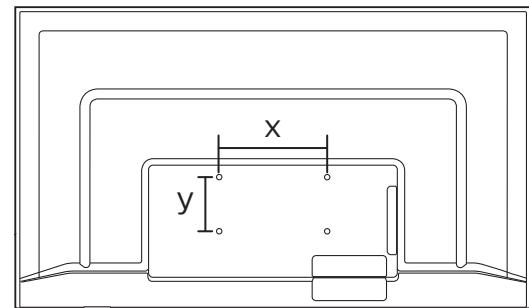


Register your product and get support at [www.philips.com/TVsupport](http://www.philips.com/TVsupport)

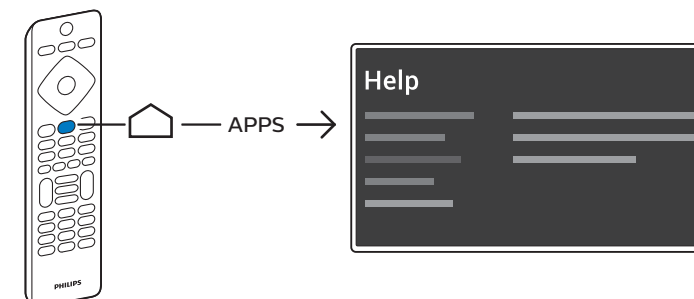
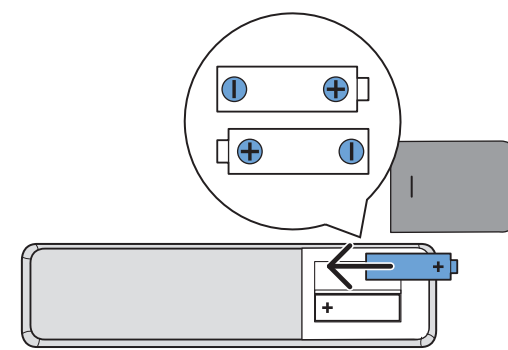


**VESA (x, y)**

43" 200x100mm M6 108 cm



2x AAA 1.5V



All registered and unregistered trademarks are property of their respective owners. Specifications are subject to change without notice. Philips and the Philips' shield emblem are trademarks of Koninklijke Philips N.V. and are used under license from Koninklijke Philips N.V. 2020 © TP Vision Europe B.V. All rights reserved. philips.com