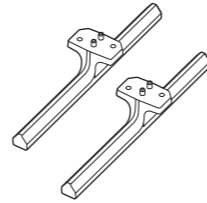
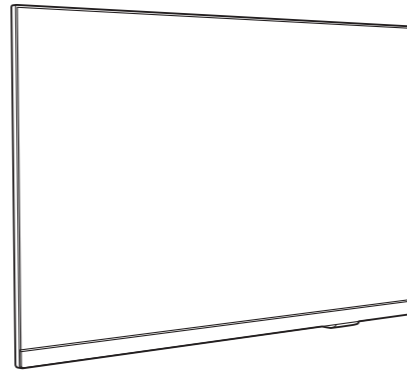


PHILIPS

Televisão

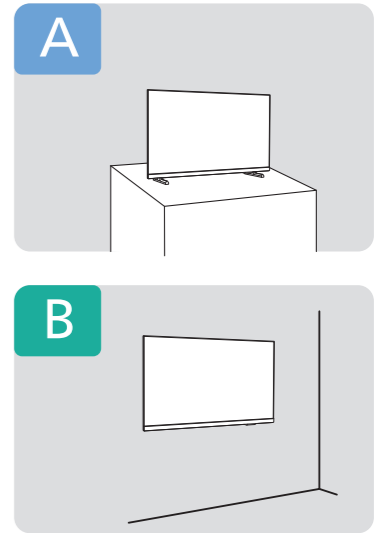
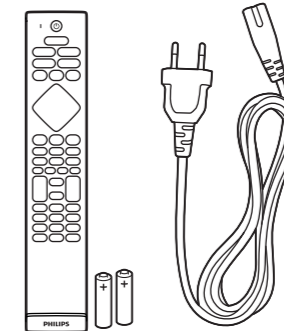
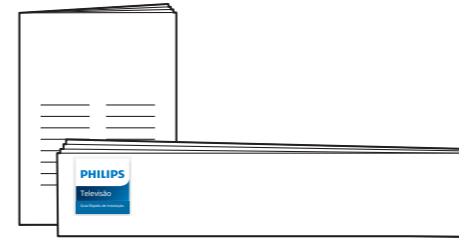
Guia Rápido de Instalação

43PFG6917/78

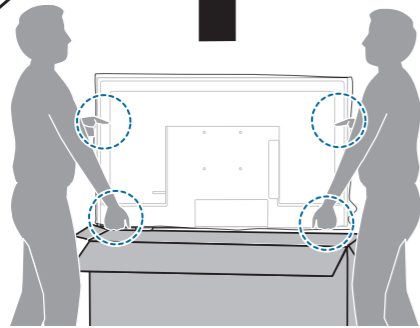
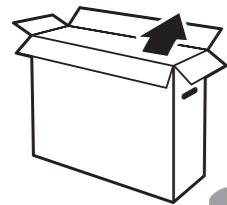
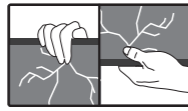


x6

x4

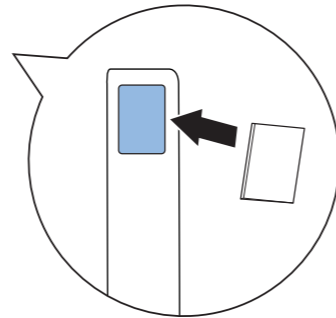
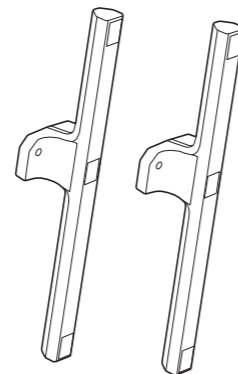


A

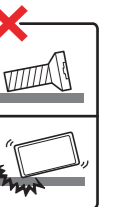
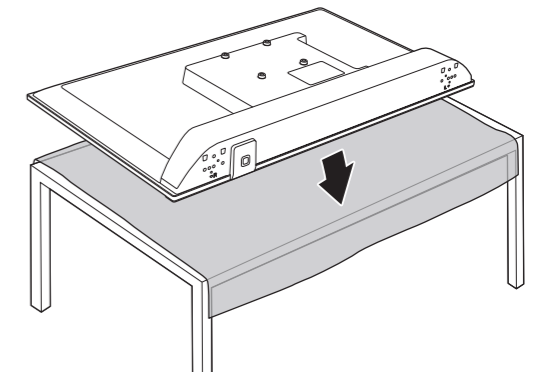
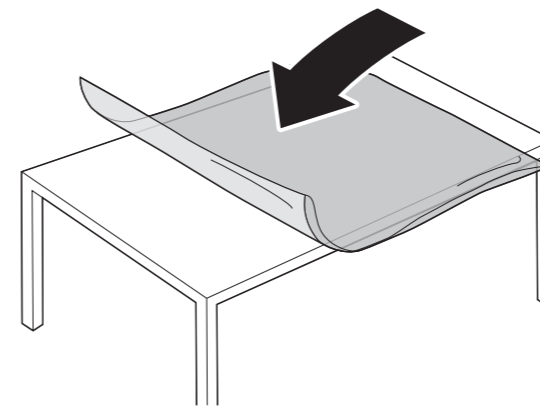


1

x6



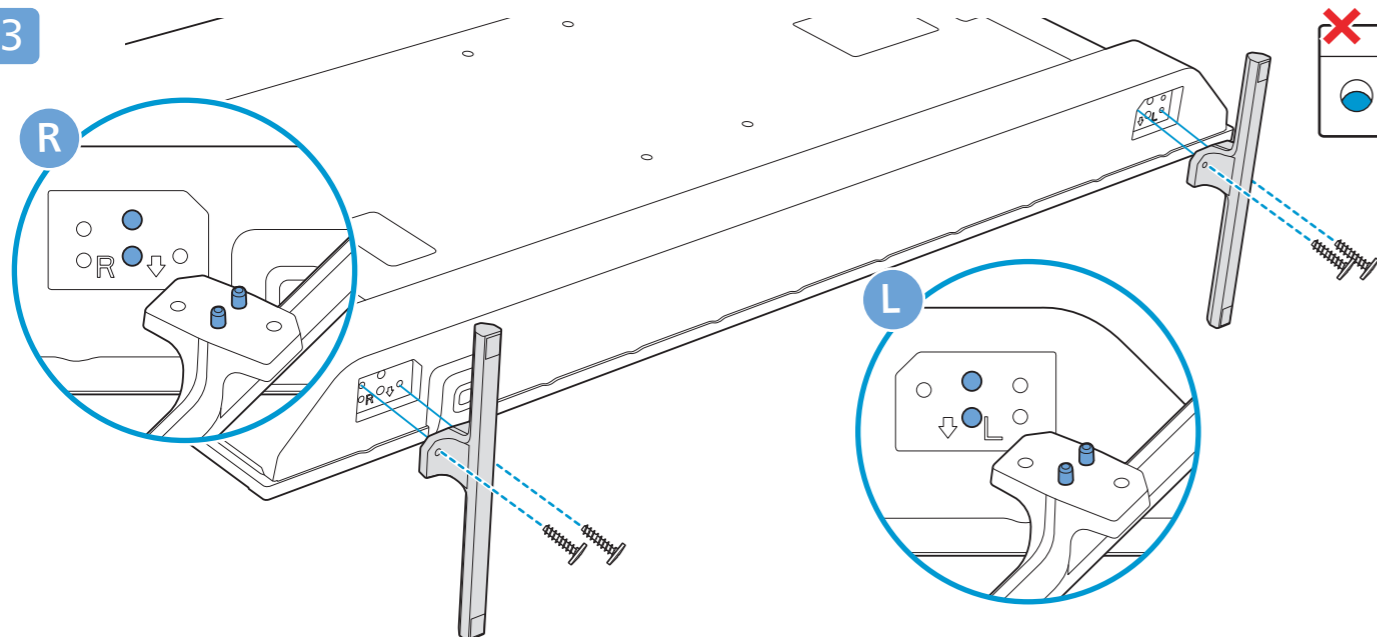
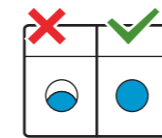
2



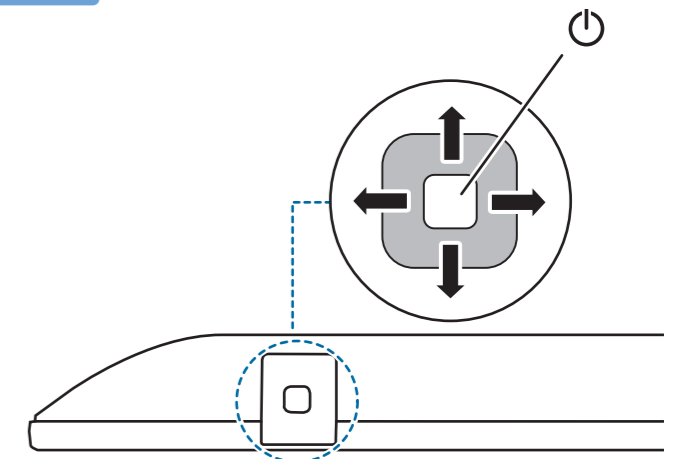
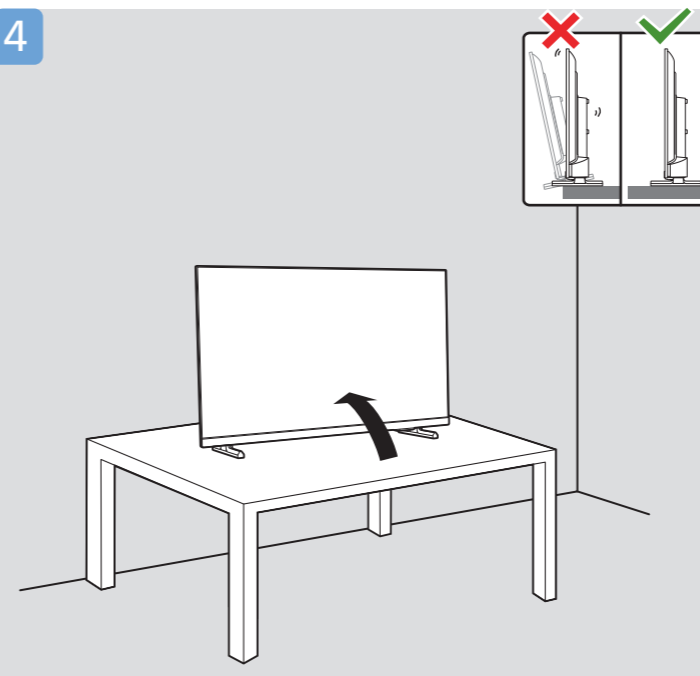
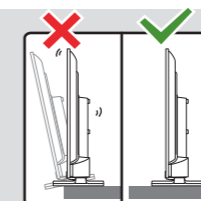
3

R

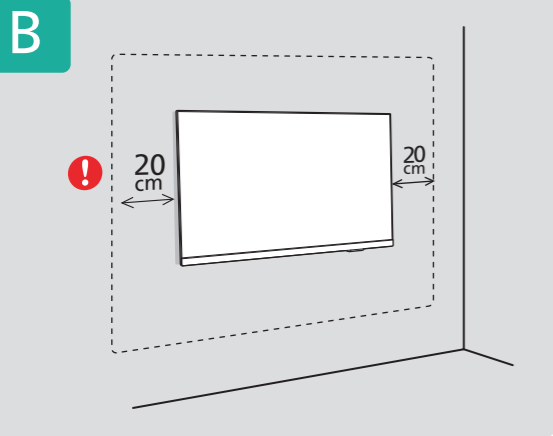
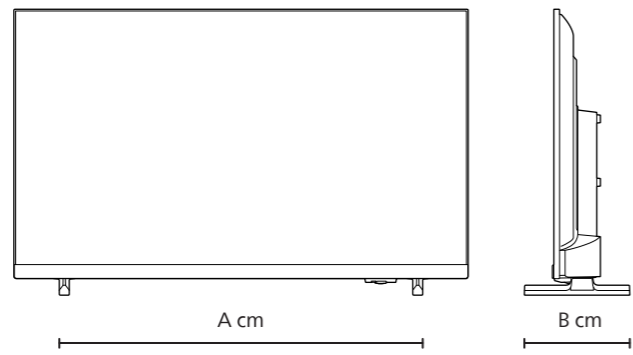
L



4

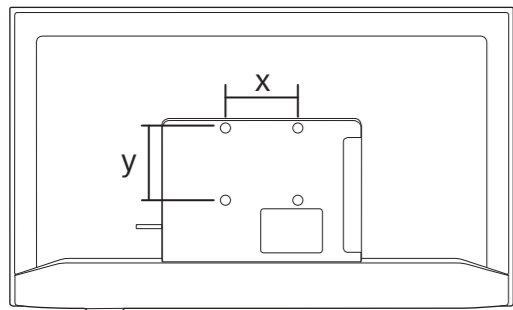


	A	B
43"	77.5	22.7



VESA (x,y)

43" 100x200mm M6
(L: 8mm~11mm) 108 cm



1. Insert the battery pack into the back of the TV.
2. Push the battery pack into the compartment.
3. Insert 2x AAA 1.5V batteries into the battery pack. **Click**
4. Push the battery pack into the compartment.
5. Push the battery pack into the compartment. **Click**

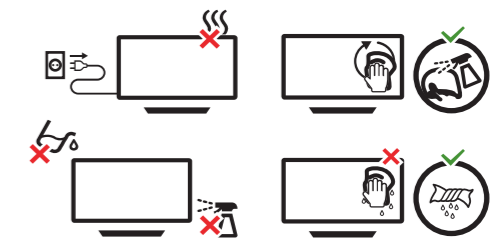
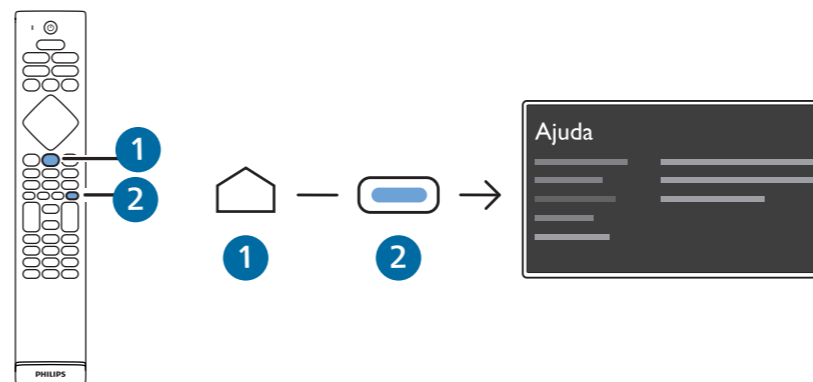
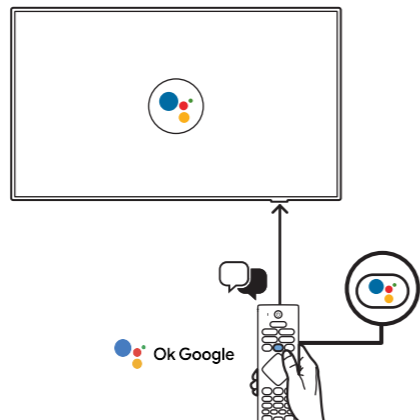
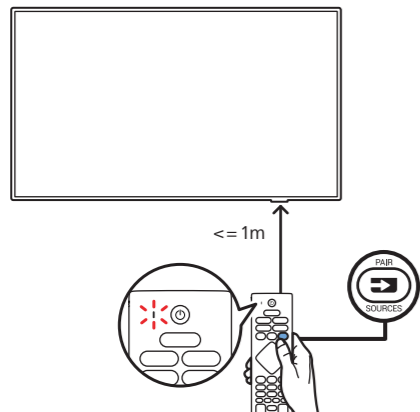
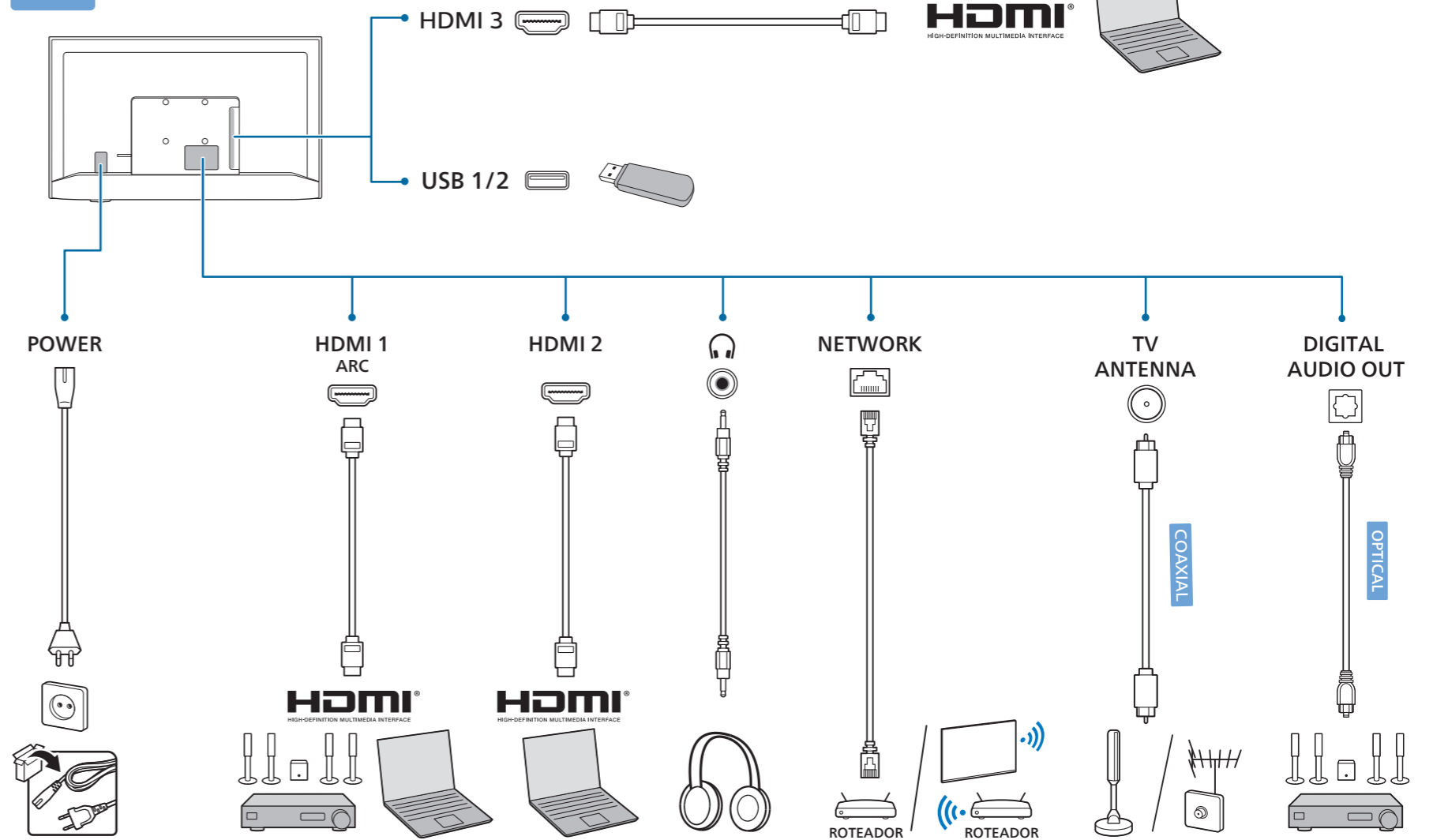
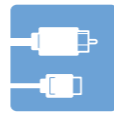
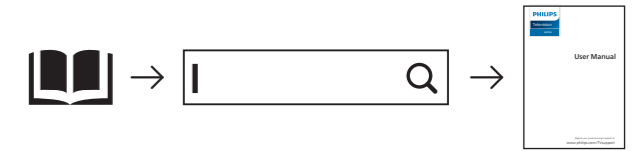


English Read the safety instructions.

Português Leia as instruções de segurança.



Registre seu produto e obtenha suporte em www.philips.com/TVsupport



All registered and unregistered trademarks are property of their respective owners. Specifications are subject to change without notice. Philips and the Philips' shield emblem are trademarks of Koninklijke Philips N.V. and are used under license from Koninklijke Philips N.V. This product has been manufactured by and is sold under the responsibility of TP Vision Europe B.V., and TP Vision Europe B.V. is the warrantor in relation to this product. 2022 © TP Vision Europe B.V. All rights reserved. www.philips.com/welcome