

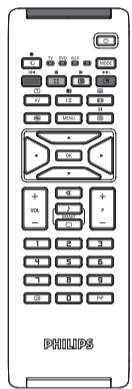
LCD TV

Quick Use Guide

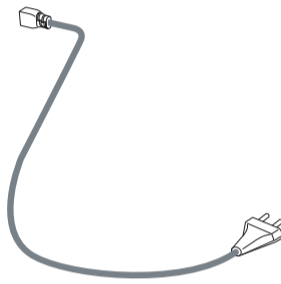
26PF5320
32PF5320
32PF7320

Thank you for purchasing Philips LCD Television set. You are now the proud owner of a LCD TV set which promises full value to you as a customer. This Quick Use Guide is designed to help you to do the connections to install and operate your TV. We strongly recommend you to read the instructions thoroughly.

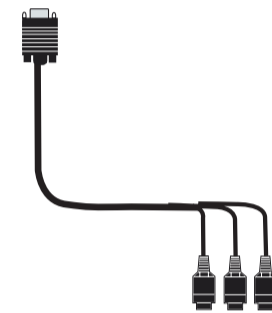
LISTING THE ACCESSORIES



Remote Control x 1



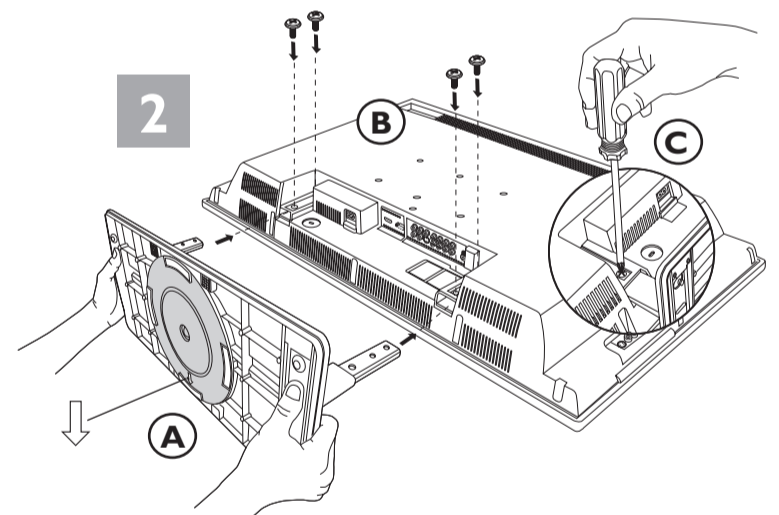
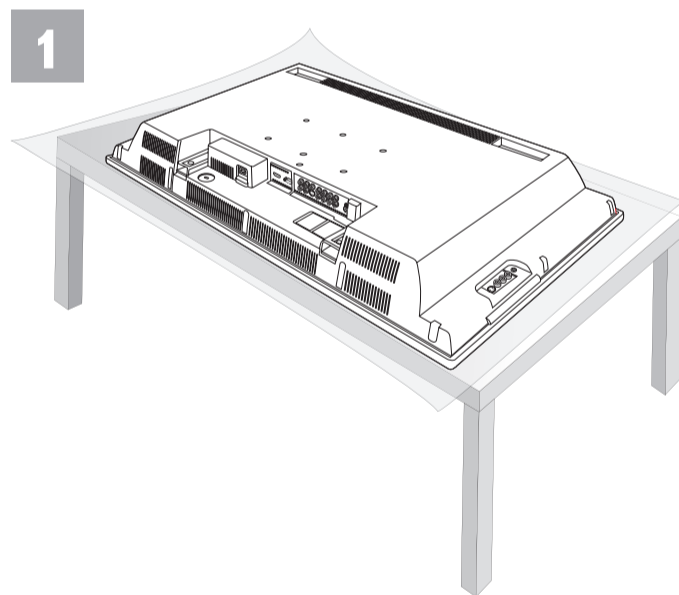
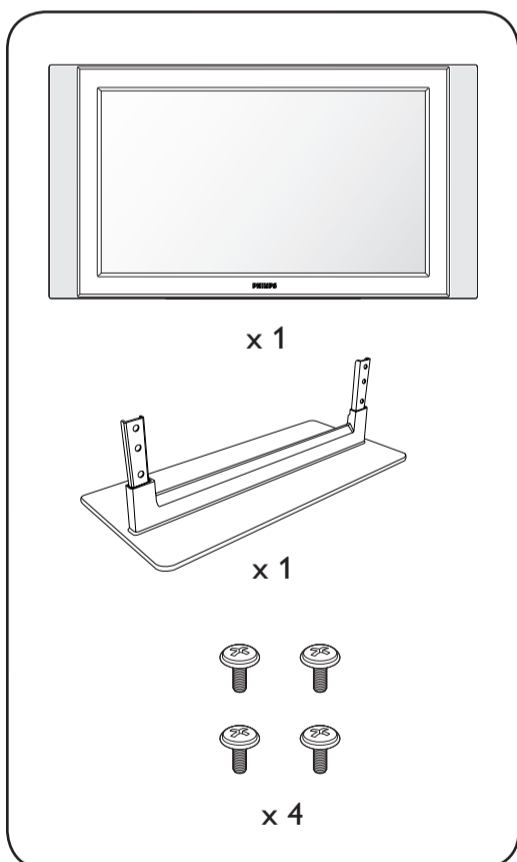
TV mains cord (two-pin) x 1



VGA socket (DB-15) to cinch x 1

LCD TV STAND ASSEMBLY

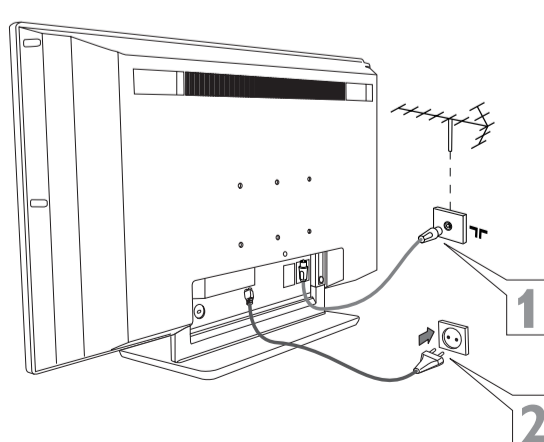
First, assemble the LCD TV using the steps below:



BASIC LCD TV OPERATION

Gently pull out the stand arm cover to locate all the sockets at the bottom of the set.

- 1 Connect the aerial cable (not supplied) from the aerial socket of the TV to the wall socket.
- 2 Connect the mains cord to the television power inlet and the mains plug into the wall socket.
- 3 Press the POWER button at the side of the TV set to switch to turn on the TV.
- 4 Press the VOLUME + button to increase the sound level or the decrease the VOLUME - button to lower the sound level.
- 5 Press the PROGRAM + or - button to select the TV programmes.
- 6 Press the MENU button to display the on-screen menu. Use the VOLUME and PROGRAM buttons for selection and adjustments in the on-screen menu.



CONNECTING PERIPHERAL EQUIPMENT TO THE LCD TELEVISION

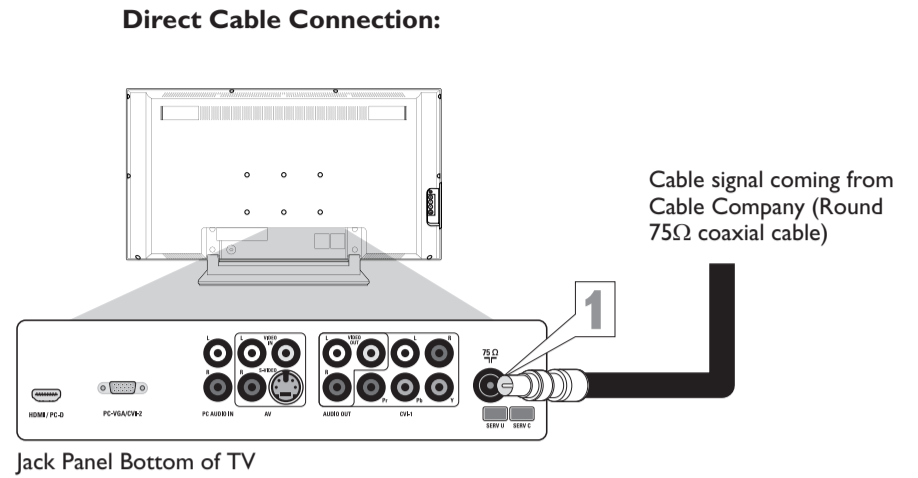
CABLE/CABLE BOX TV

Your Cable TV input into your home may be a single (75 ohm) cable or use a cable box decoder. In either case the connection is very simple. Follow the steps below to connect your cable signal to your new television.

Direct Cable Connections:

This connection will supply Stereo sound to the TV.

- 1 Connect the open end of the round Cable Company supplied cable to the 75Ω input on the bottom of the TV.



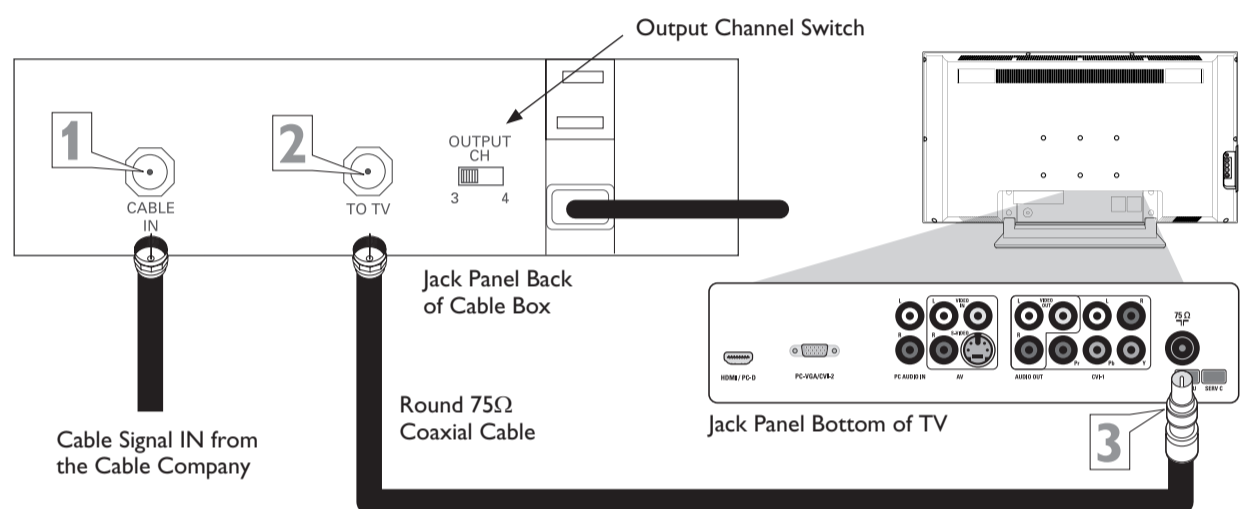
Cable Box (w/RF In/Outputs):

This connection will NOT supply Stereo sound to the TV. The sound from the cable box will be mono.

- 1 Connect the open end of the round Cable Company supplied cable to the cable signal IN(put) plug on the back of the Cable Box.
- 2 Using a separate round coaxial cable, connect one end to the OUT(put) (TO TV) plug on the back of the Cable Box.
- 3 Connect the other end of the round coaxial cable to the 75Ω input on the bottom of the television.

NOTE: Be sure to set the OUTPUT CHANNEL SWITCH on the back of the cable box to CH 3 or 4, then tune the cable box on the TV to the corresponding channel. Once tuned, change channels at the cable box, not the television.

Cable Box with RF Inputs and Outputs Connection:



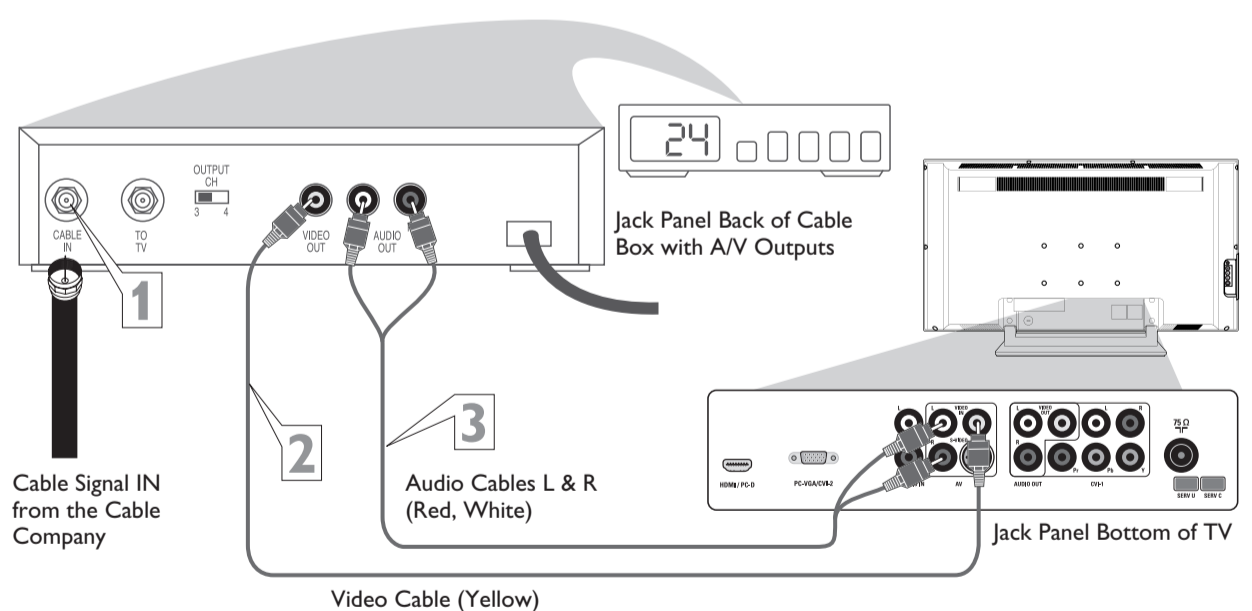
Cable Box (w/Audio/Video Outputs):

This connection will supply Stereo sound to the TV.

- 1 Connect the open end of the round Cable Company supplied cable to the cable signal IN(put) plug on the back of the Cable Box.
- 2 Using an RCA type Video Cable, connect one end of the cable to the Video (yellow) (or ANT, your cable box may be labeled differently) Out jack on the cable box and the other end to the Video In jack on the bottom of the TV.
- 3 Using an RCA type Audio Left and Right Cable, connect one end to the left and right Audio Out L & R jacks (red & white) on the cable box and the other ends to the Audio In L & R jacks on the bottom of the TV.

NOTE: Use the AV button and the CURSOR DOWN/RIGHT on the TV remote control to tune to the AV channel for the cable box signal. Once tuned, change channels at the cable box, not the television.

Cable Box with Audio/Video Outputs Connection:

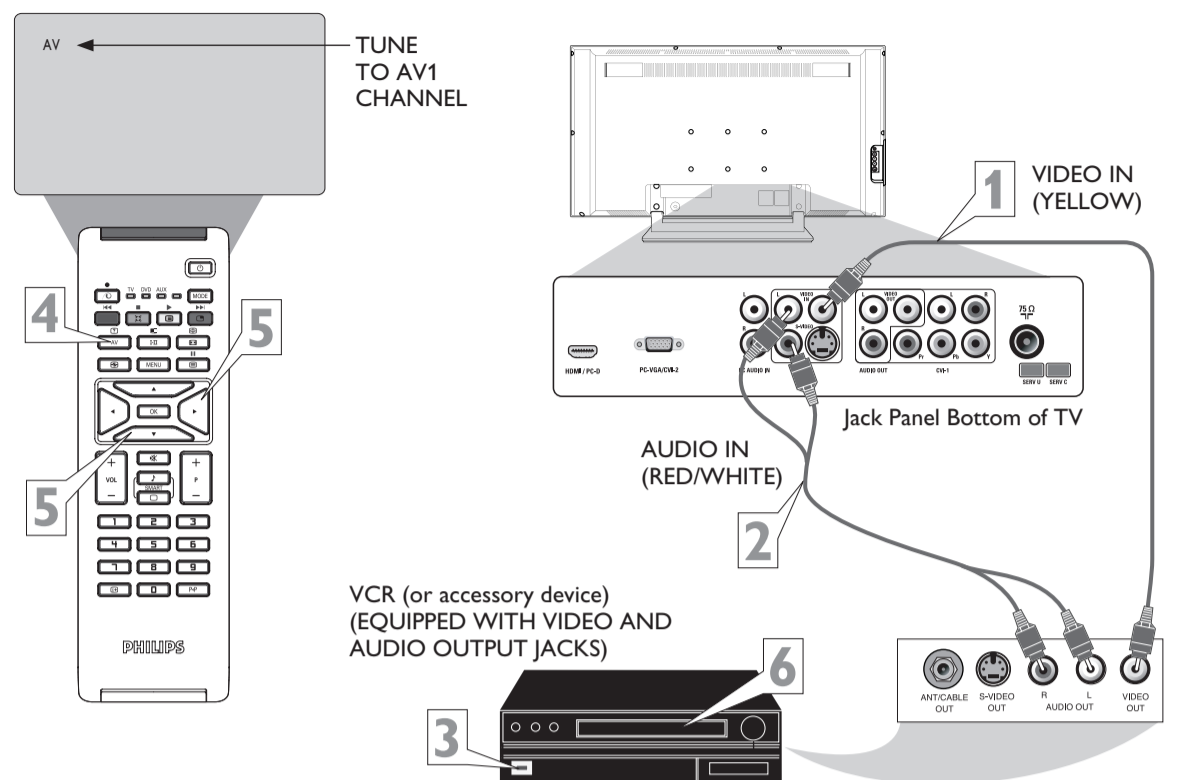


CONNECTING PERIPHERAL EQUIPMENT TO THE LCD TELEVISION

AV INPUTS

The audio/video input jacks on the bottom panel of the TV are for direct picture and sound connections between the TV and a VCR (or similar device) that has audio/video output jacks.

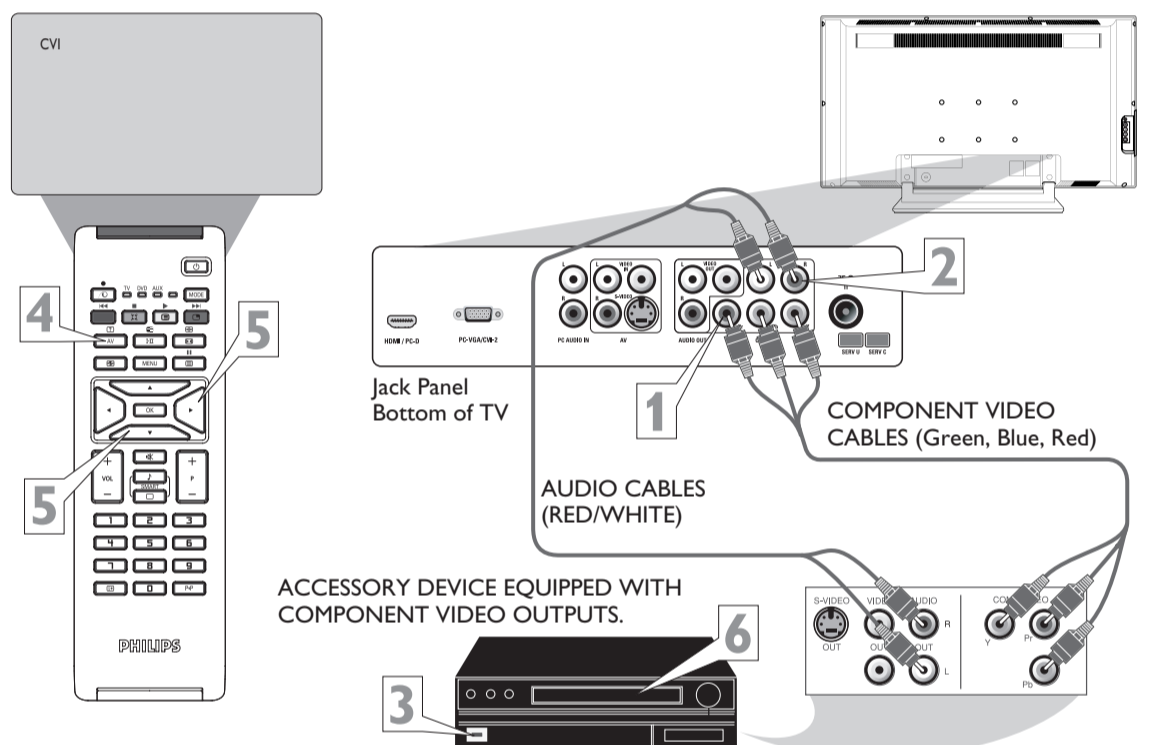
- 1 Using an RCA type Video Cable, connect one end of the cable to the Video (yellow) Out jack on the VCR or accessory device and the other end to the AV Video In jack on the bottom of the TV.
- 2 Using an RCA type Audio Left and Right Cable, connect one end to the left and right Audio Out L & R jacks (red & white) on the VCR or accessory device and the other ends to the AV Audio In L & R jacks on the bottom of the TV.
- 3 Turn the VCR or accessory device and the TV On.
- 4 Press the AV button on the remote control to show the Source List menu on the TV screen.
- 5 Press the ▼ button repeatedly until AV is highlighted, then press the ► button to enter the selected Mode.
- 6 With the VCR (or accessory device) ON and a prerecorded tape (CD, DVD, etc.) inserted, press the PLAY button to view the tape on the television.



COMPONENT VIDEO INPUTS (CVI)

Component Video inputs provide the highest possible color and picture resolution in the playback of digital signal source material, such as with DVD players.

- 1 Connect the Component (Y, Pb, Pr) Video OUT jacks from the DVD player (or similar device) to the CVI-1 VIDEO Input (Y green, Pb blue, Pr red) jacks on the bottom of the TV.
- 2 Connect the red and white AUDIO CABLES to the Audio (left and right) output jacks on the rear of the accessory device to the CVI-1 Audio In L & R jacks on the bottom of the TV.
- 3 Turn the TV and the DVD player (or digital accessory device) ON.
- 4 Press the AV button on the remote control to show the Source List menu on the TV screen.
- 5 Press the ▼ button repeatedly until CVI-1 is highlighted, then press the ► button to enter the selected Mode.
- 6 Insert a DVD disc into the DVD player and press the PLAY button on the DVD Player.



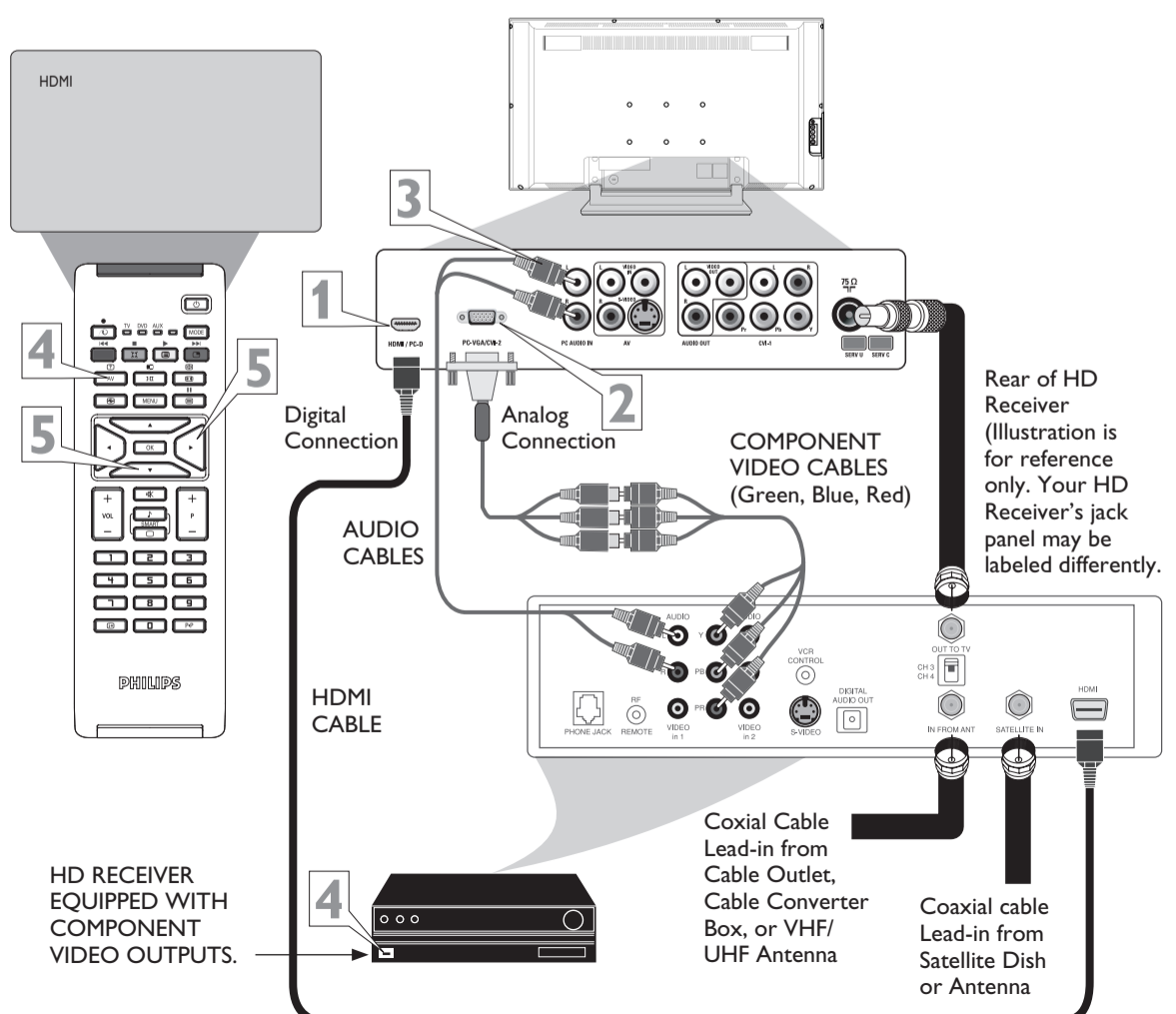
HELPFUL HINT

The description for the component video connectors may differ depending on the DVD player or accessory digital source equipment used (for example, Y, Pb, Pr; Y, B-Y, R-Y; Y, Cr, Cb). Refer to your DVD player or digital accessory owner's manual for definitions and connection details.

HD (HIGH DEFINITION) INPUTS

If you are using a High Definition receiver that can transmit high definition programming, the TV can accept those signals through the HD Inputs located on the bottom of the TV.

- 1 For Digital Connection, connect the HDMI connector of the HD Receiver (or similar device) to the HDMI Input jacks on the bottom of the TV.
OR
For Analog Connection, use Component Video cables to connect the Component (Y, Pb, Pr) Video Out jacks of the HD Receiver (or similar device) to the VGA adapter (supplied with the TV). Connect the other end of the adapter to the VGA Input jacks (CVI-2) on the bottom of the TV.
- 2 Connect the red and white audio cable to RCA type Audio Cables. Connect the audio adapter to the PC Audio In L & R jacks on the bottom of the TV.
- 3 Turn the TV and the HD Receiver ON.
- 4 Press the AV button on the remote control to show the Source List menu on the TV screen.
- 5 Press the ▼ button repeatedly until HDMI or CVI-2 (SD/HD) is highlighted, then press the ► button to enter the selected Mode.

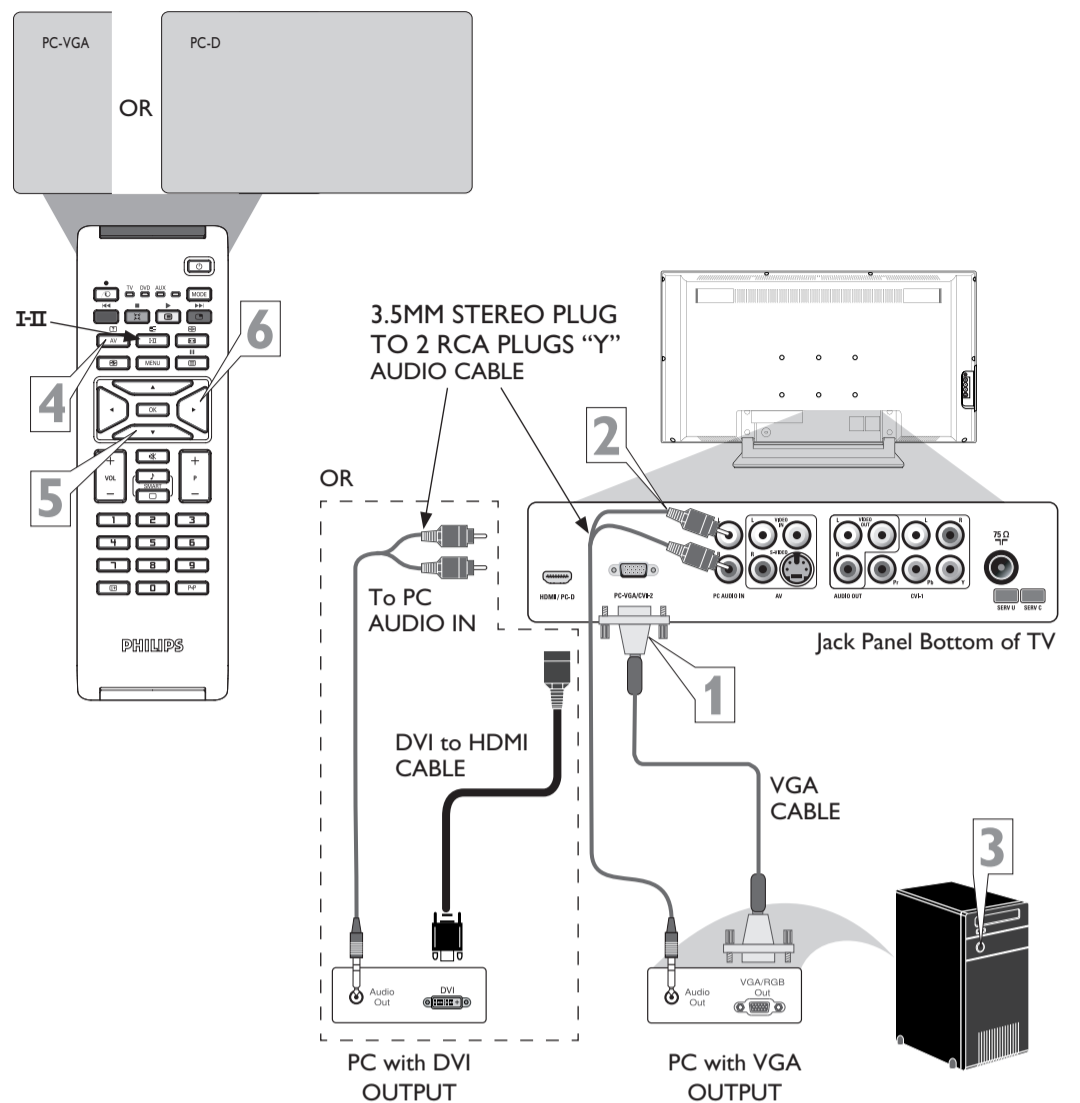


CONNECTING PERIPHERAL EQUIPMENT TO THE LCD TELEVISION

PC (MONITOR) INPUTS

This TV can be used as a PC Monitor. Your computer will have to be equipped with a VGA (or DVI type video output) and VGA cable (or a DVI to HDMI cable).

- 1 Connect one end of the VGA Video cable to the Monitor (video) output on the computer to the PC-VGA/CVI-2 jack on the bottom of the TV.
OR
if your computer comes with DVI video output, you can use a DVI to HDMI cable to connect from the computer's DVI output to the HDMI/PC-D input on the bottom of the TV.
 - 2 The TV can reproduce the computer's audio. Using a 3.5mm Stereo Plug to 2 RCA Plugs "Y" Cable, connect the Stereo plug to the Audio output jack on the computer (if available) while connecting the Left and Right RCA plugs to the Audio In L and R (PC AUDIO IN) Input Jacks on the bottom of the TV.
- Note: If you are connecting the computer using a DVI to HDMI cable and audio cable to the TV, you will need to press the **I-II** button on the remote control repeatedly until the computer's audio is reproduced.
- 3 Turn the TV and the computer ON.
 - 4 Press the AV button on the remote control to show the Source List menu.
 - 5 Press the **▼** button repeatedly until PC-VGA is highlighted if you have connected the computer to the TV using a VGA cable;
OR
until PC-D is highlighted if you have connected the computer to the TV using a DVI to HDMI cable.
 - 6 Press the **▶** button to enter the selected Mode.

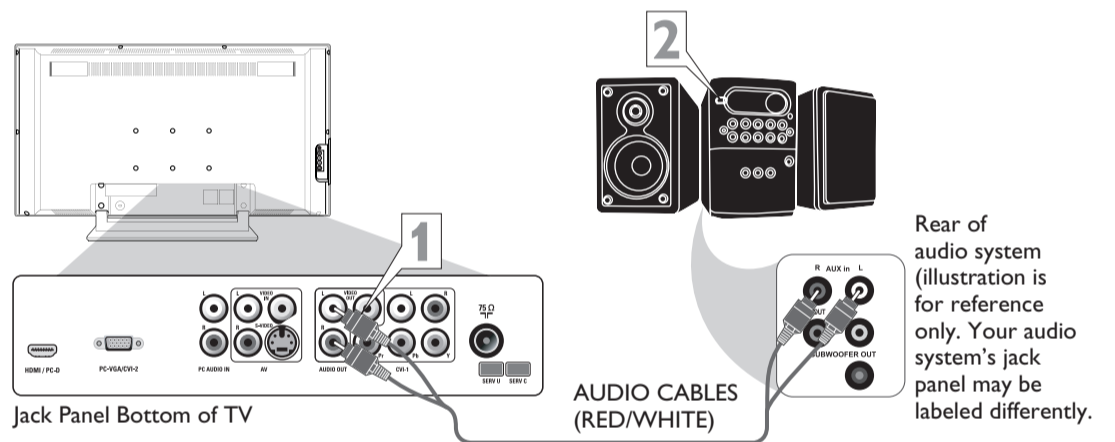


AV OUTPUTS

There are Audio/Video output jacks located on bottom of the TV that can also be used for extra accessory device connections for items such as an external audio system, a video recorder or even an additional TV.

For External Audio System Connection:

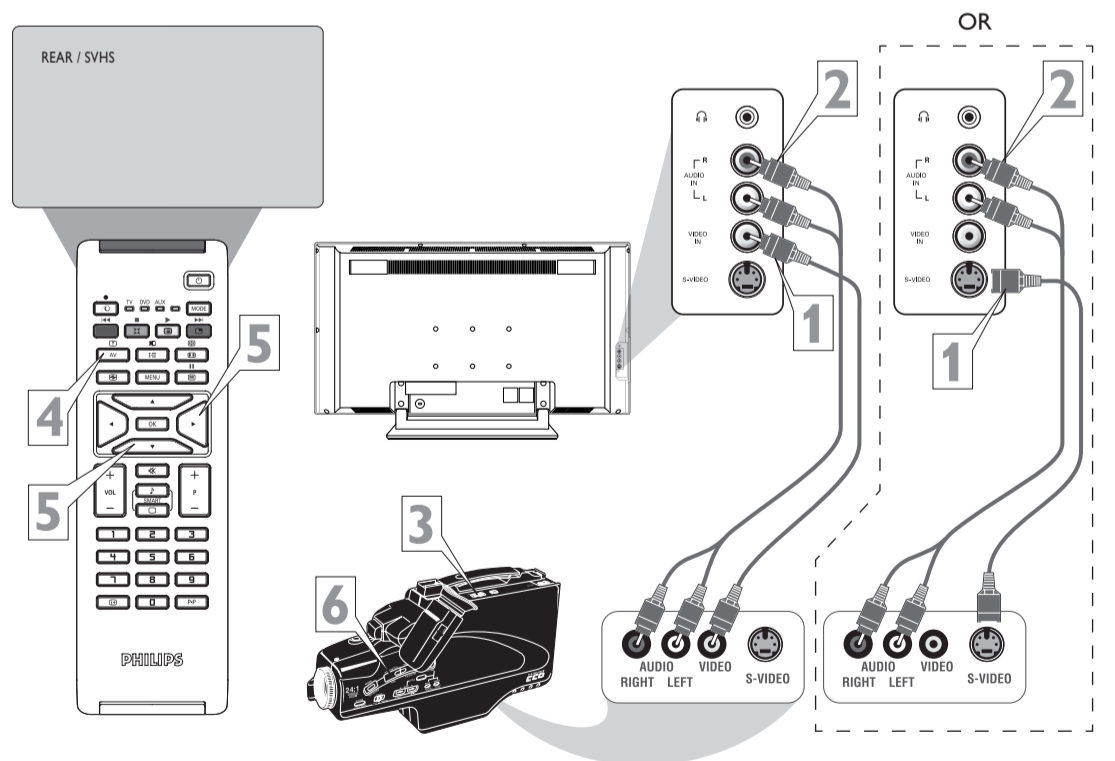
- 1 Using an RCA type Audio Left and Right Cable, connect one end to the left and right Audio In (or AUX) L & R jacks (red & white) on the external audio system and the other ends to the Audio Out L & R jacks on the bottom of the TV.
- 2 Turn the external audio system and the TV On. TV sound can be heard through the audio system.



REAR/SVHS INPUTS

Much like the AV jacks, the REAR/SVHS jacks allow for extra accessory device connections for items such as cameras or gaming stations. The REAR/SVHS Input Jacks are located on the rear of the TV.

- 1 Connect the VIDEO (yellow) adapter cable to the VIDEO AV3 in jack on the left rear of the TV. Connect the other end of the VIDEO (yellow) cable to an RCA type VIDEO Cable. Connect that cable to the VIDEO OUT jack on the back of the accessory device being used. Note: An S-Video cable can be used in place of the yellow Video cable if your device is equipped with an S-Video Output. S-Video provides better video playback.
 - 2 Connect the AUDIO (red and white) adapter cable to an RCA type Audio Cable. Connect the other ends of the AUDIO (red and white) cables to the AUDIO (left and right) OUT jacks on the rear of the accessory device being used.
- 3 Turn the accessory device and the TV ON.
- 4 Press the AV button on the remote control to show the Source List menu on the TV screen.
 - 5 Press the **▼** button repeatedly until REAR/SVHS is highlighted, then press the **▶** button to enter the selected Mode.
 - 6 With the accessory device ON, press the PLAY button to activate the playback on the television.



HEADPHONE CONNECTIONS

The Headphone jack can be used to connect to a headphone. If connected to a headphone, there will be no sound from the TV speakers. The sound will come from the audio system of the headphone.

- 1 Connect Headphone jack located on the right rear of the TV to your headphone set.
- 2 Turn the TV and headphone ON. TV sound can be heard through the headphone.

