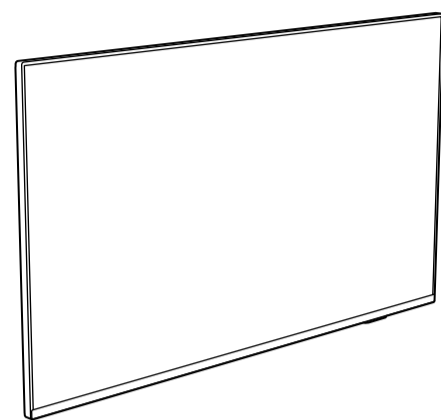


PHILIPS

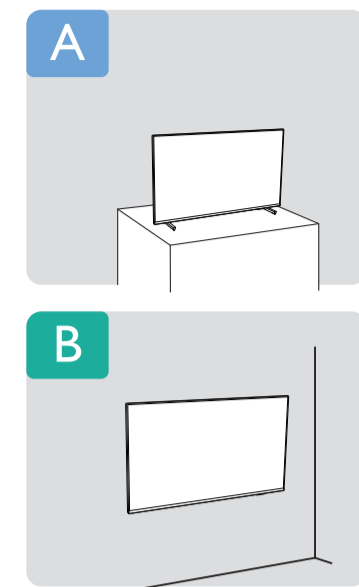
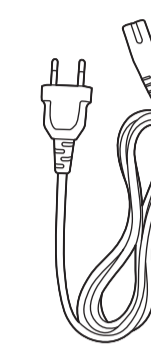
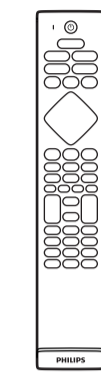
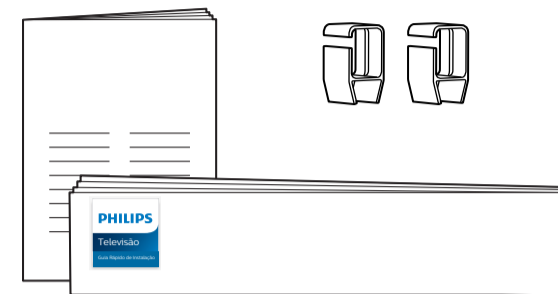
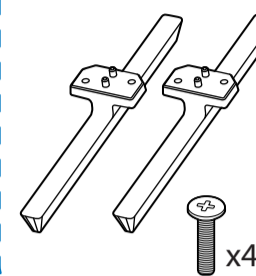
Televisão

Guia Rápido de Instalação

55PUG7906/78
65PUG7906/78

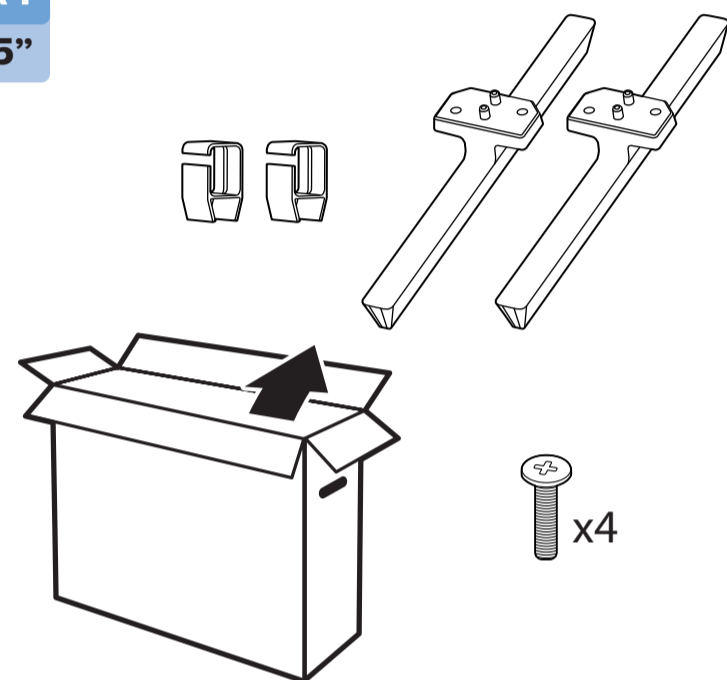


55"/65"

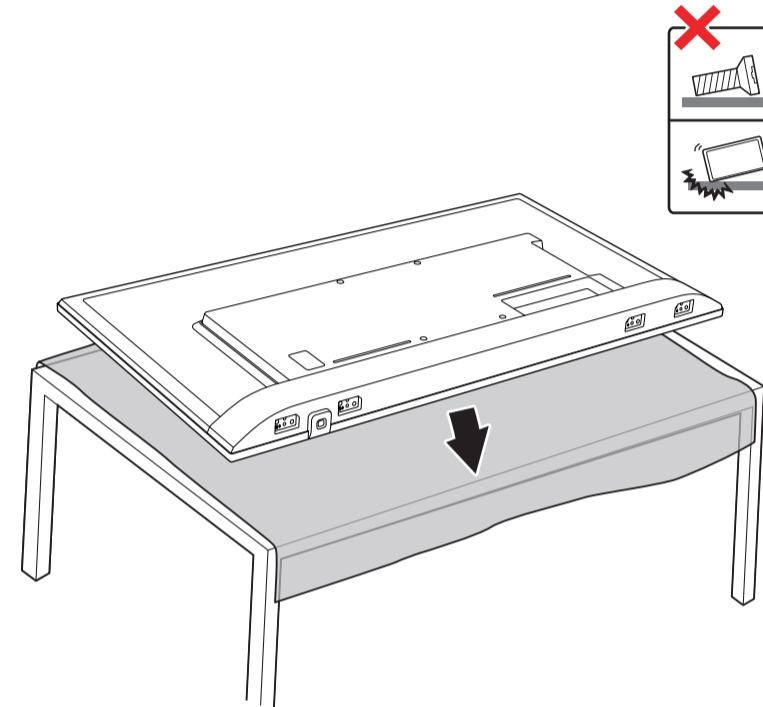
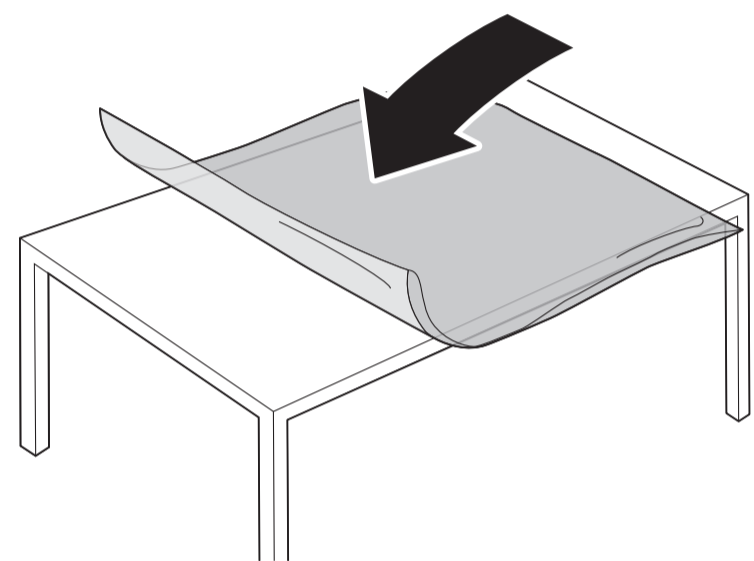


A1

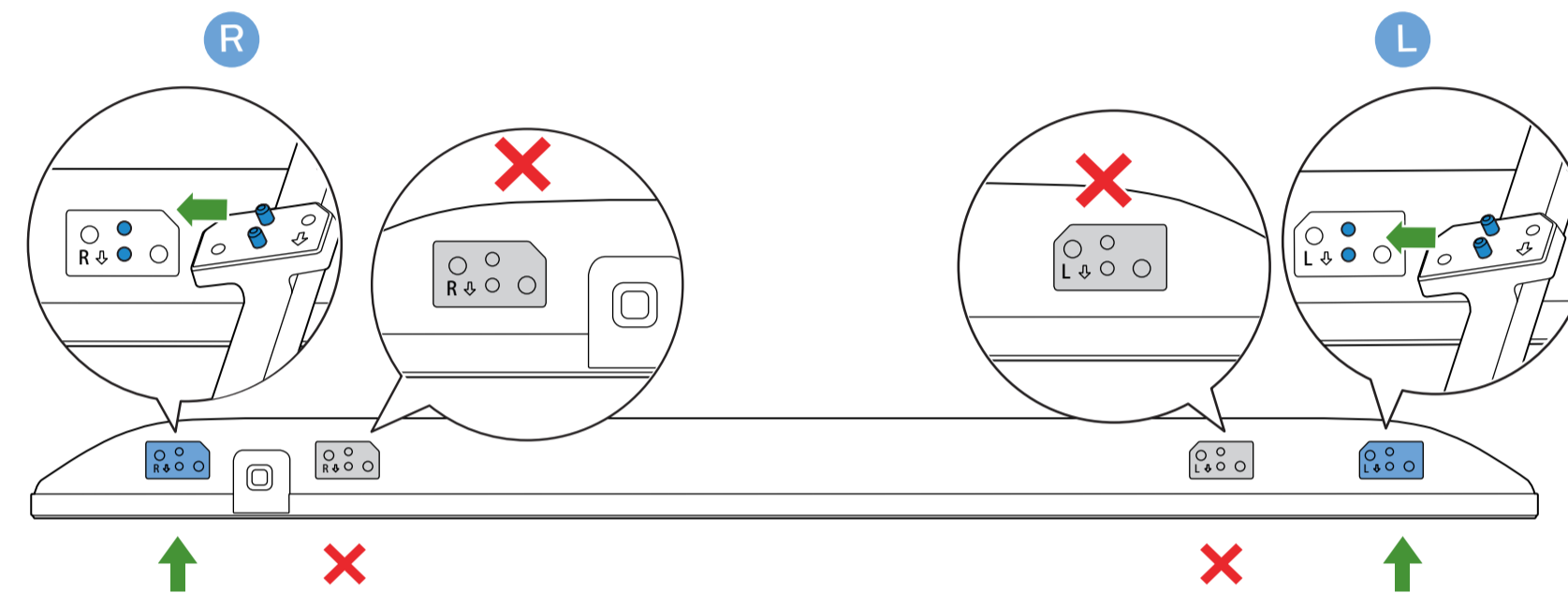
55"



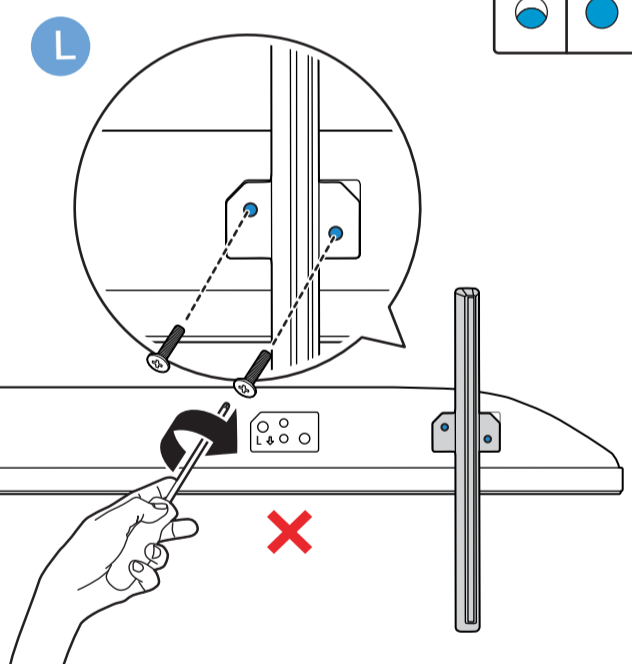
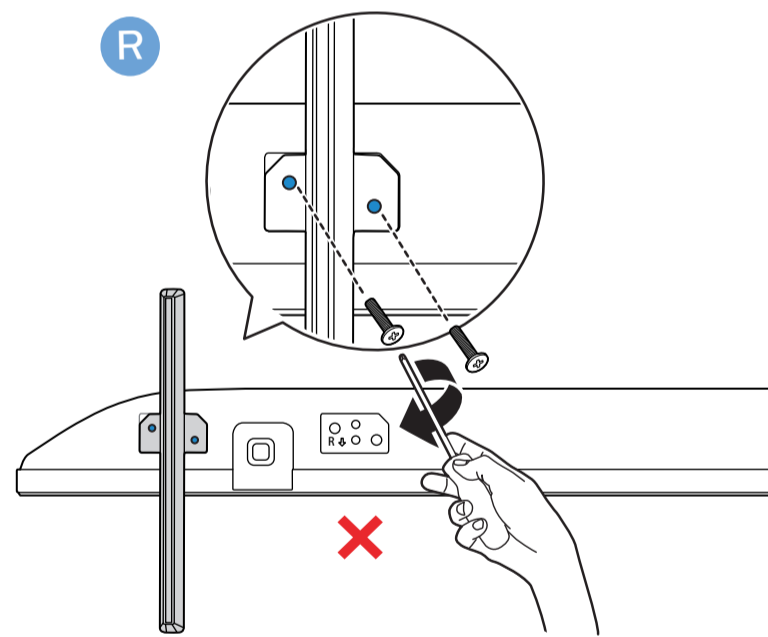
1



2

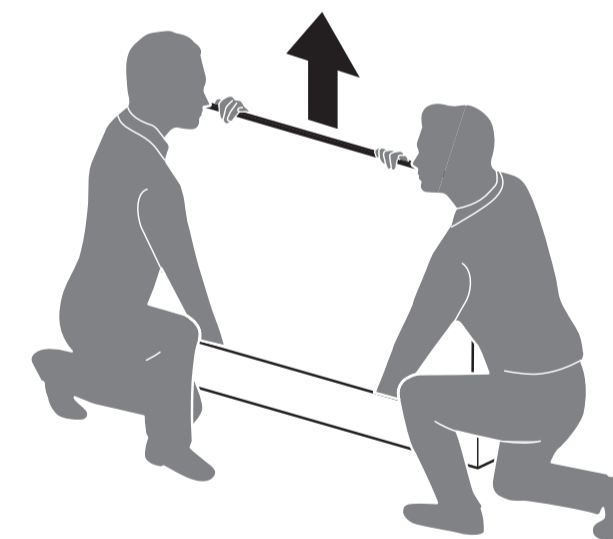
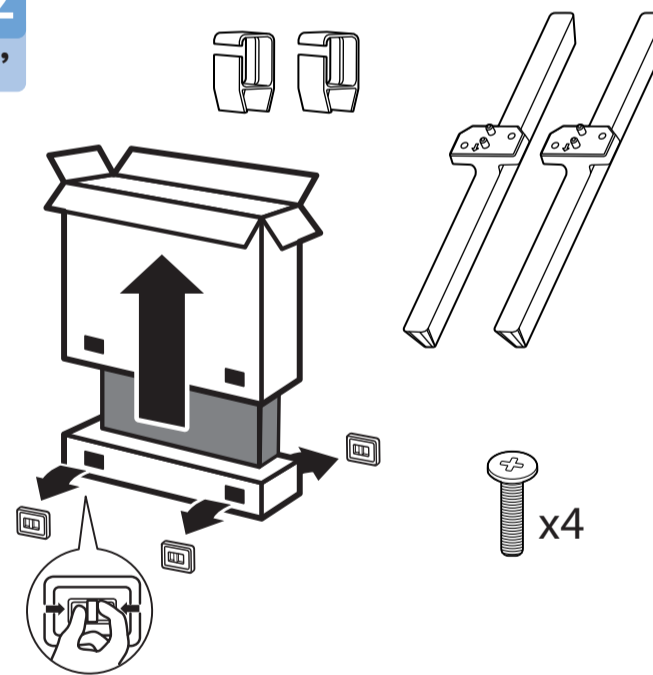


3

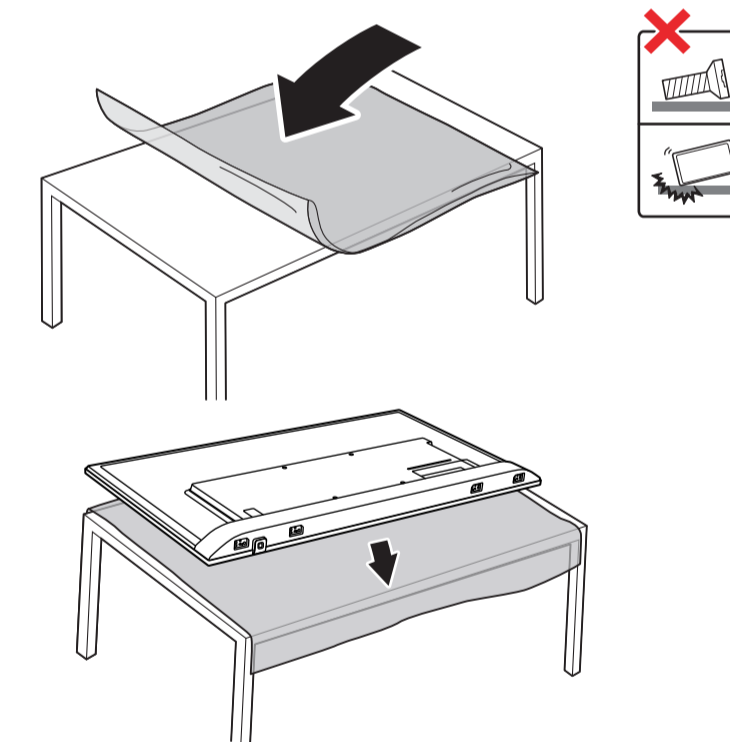


A2

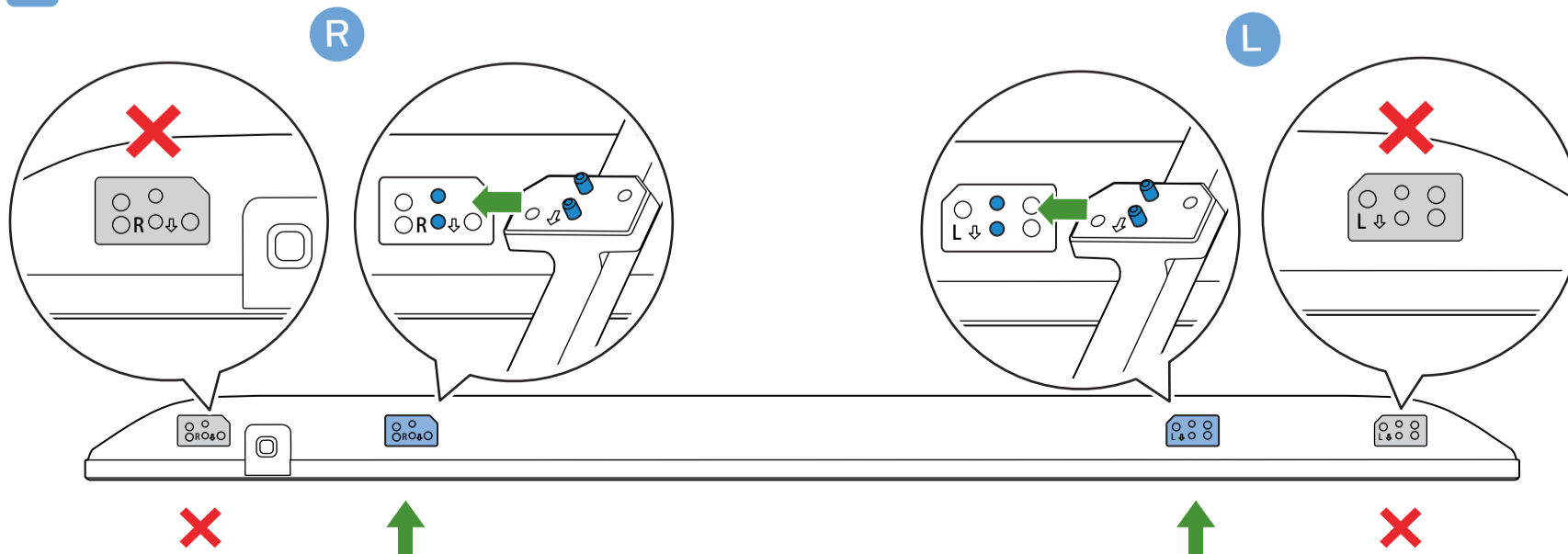
65"



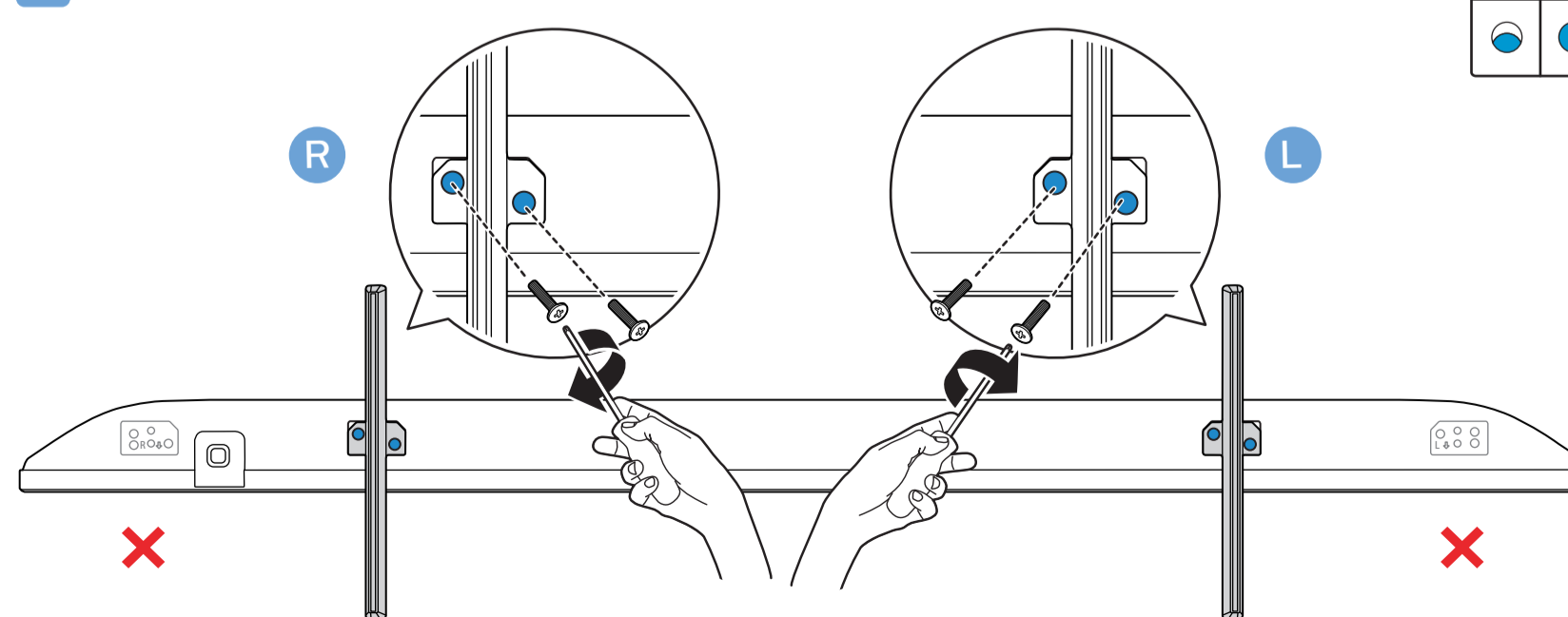
1



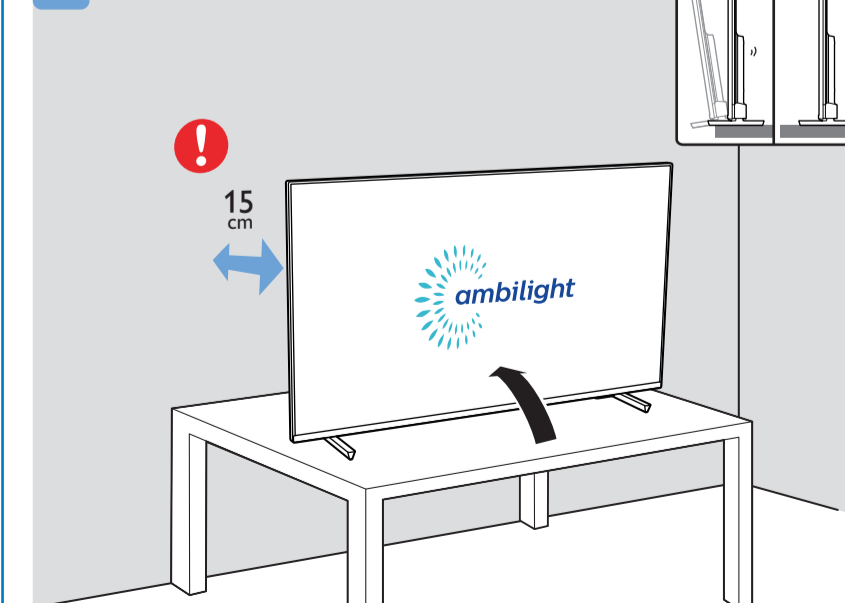
2



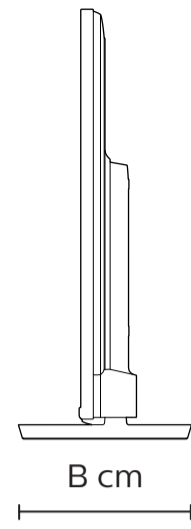
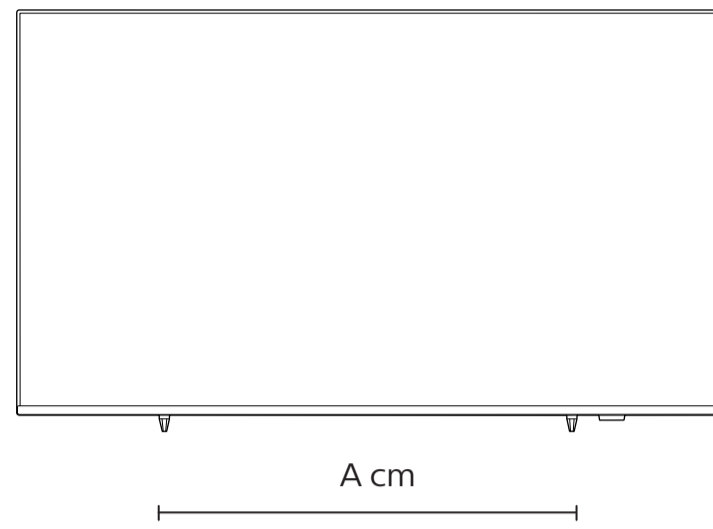
3



4



	A	B
55"	100.8	24.0
65"	80.8	29.3

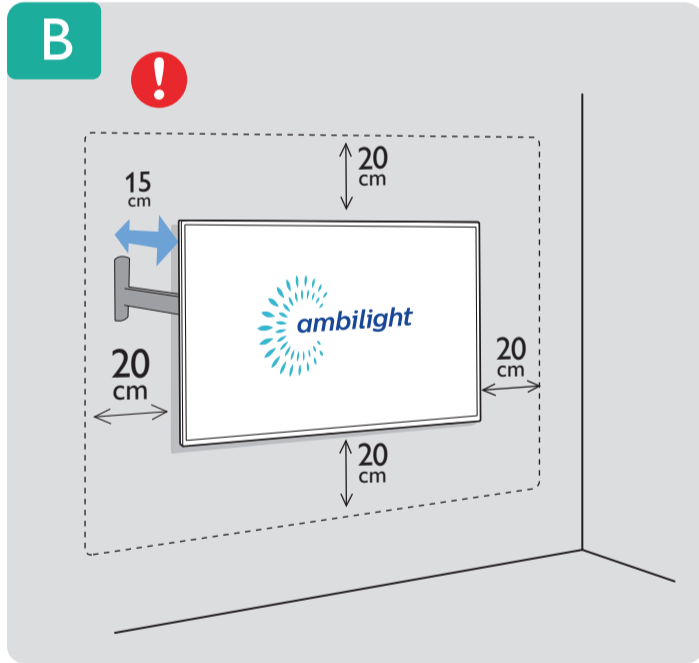
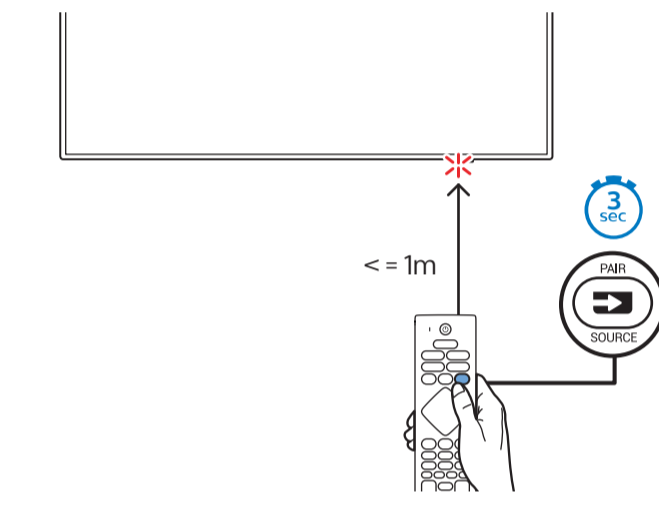
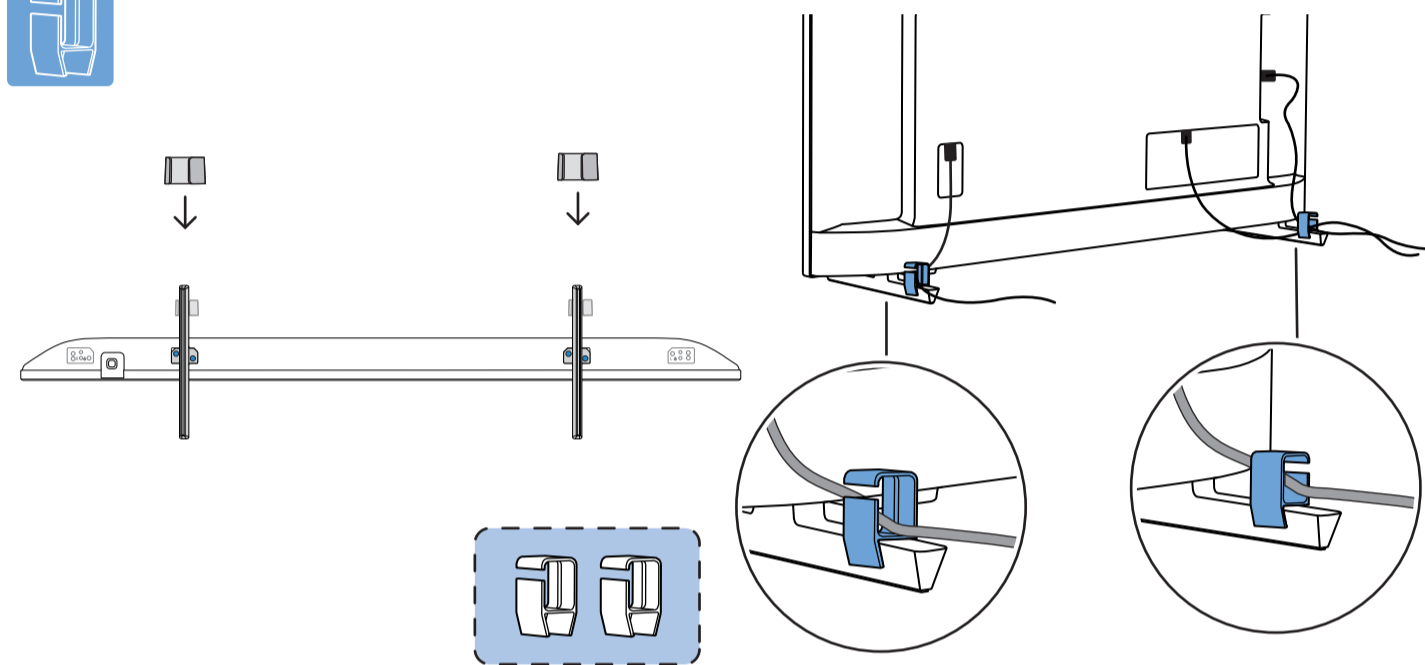
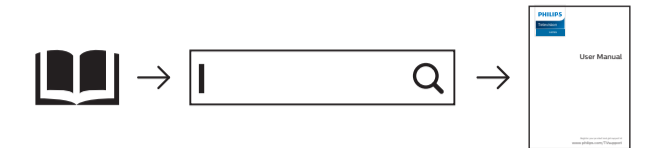


English Read the safety instructions.
Português Leia as instruções de segurança.

PRODUZIDO NO
POLO INDUSTRIAL
DE MANAUS
CONHEÇA A AMAZÔNIA
IMPRESSO NA CHINA

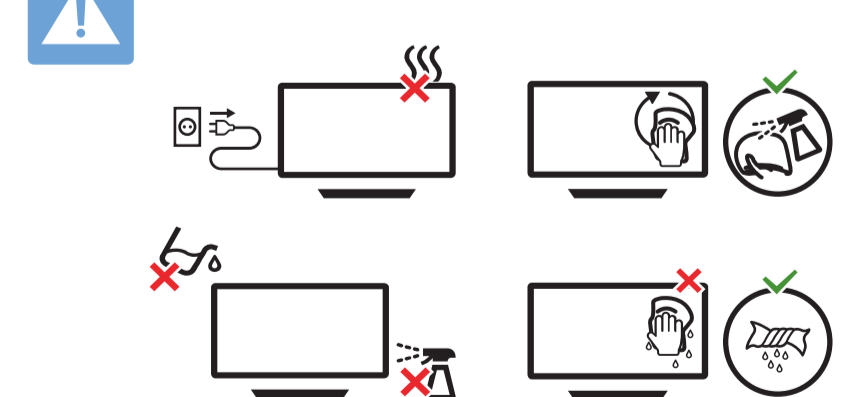
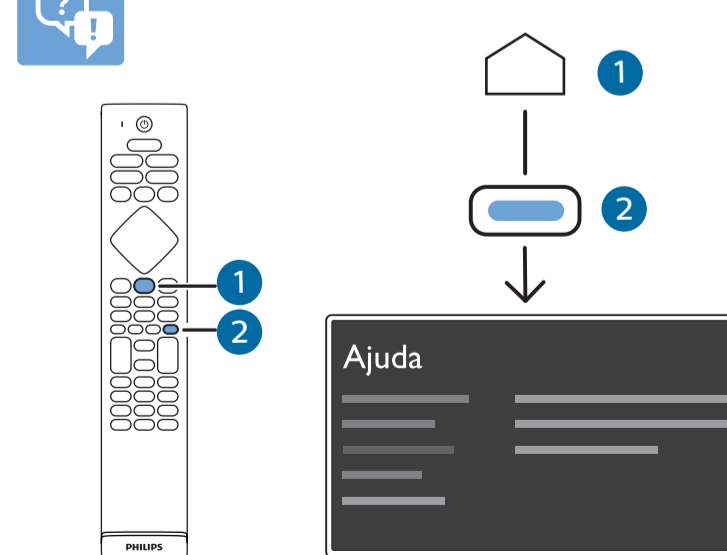
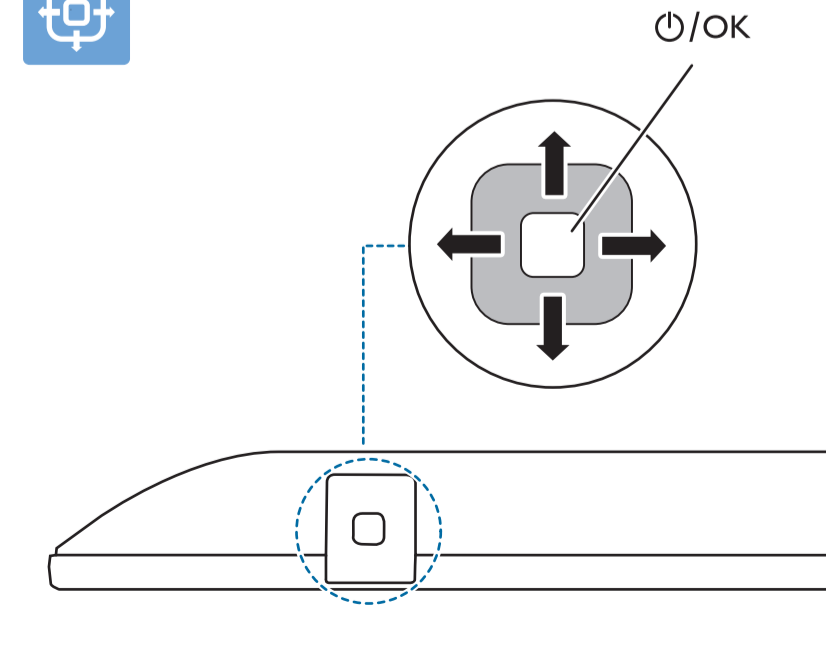
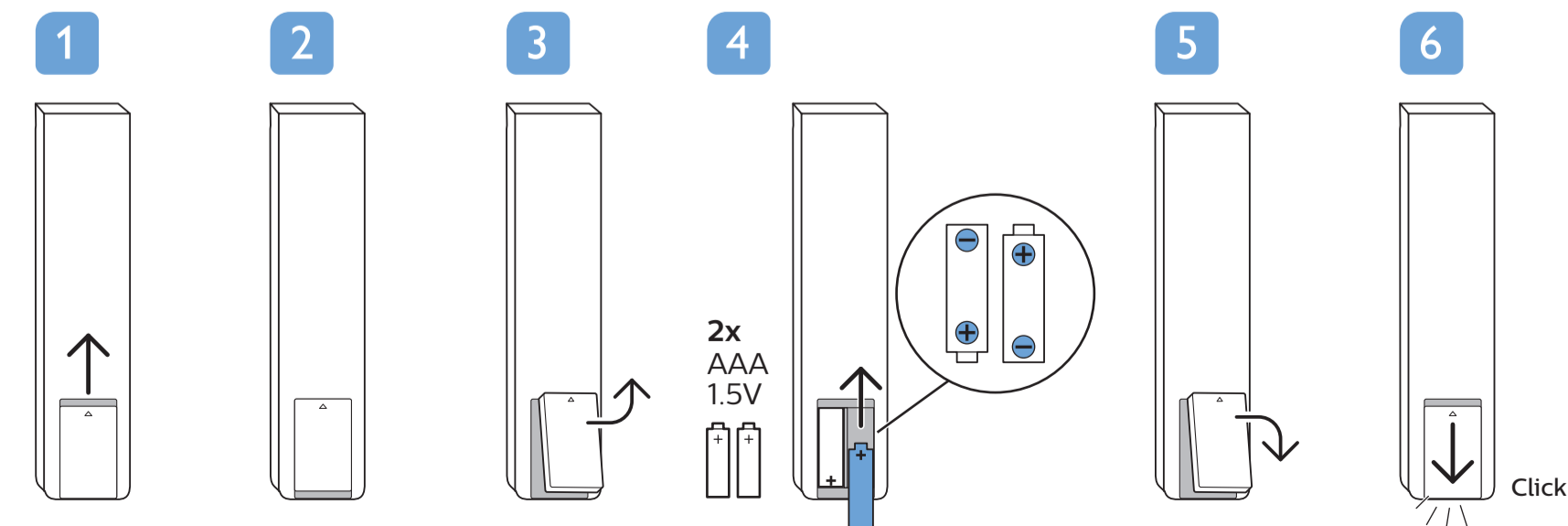
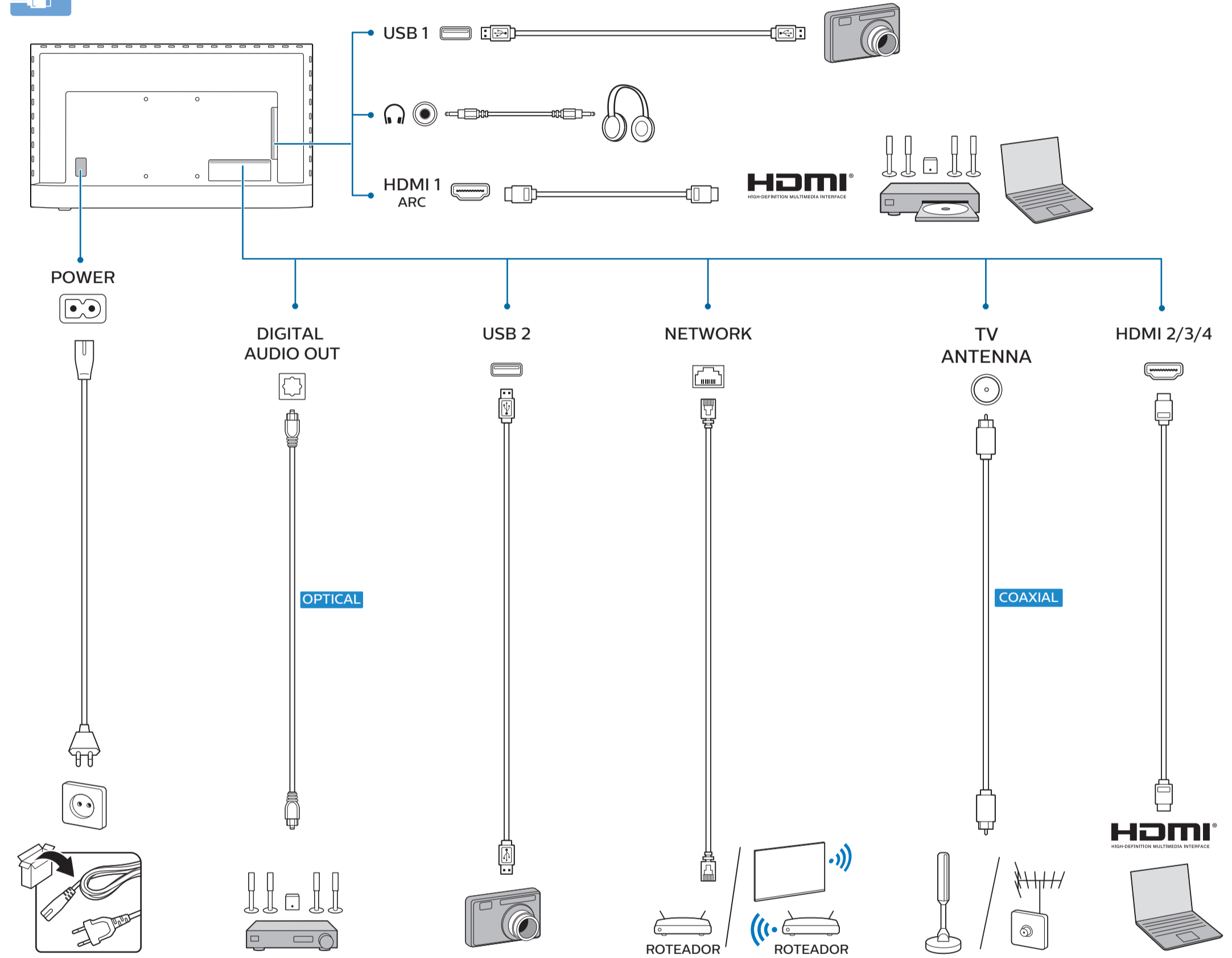
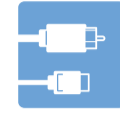
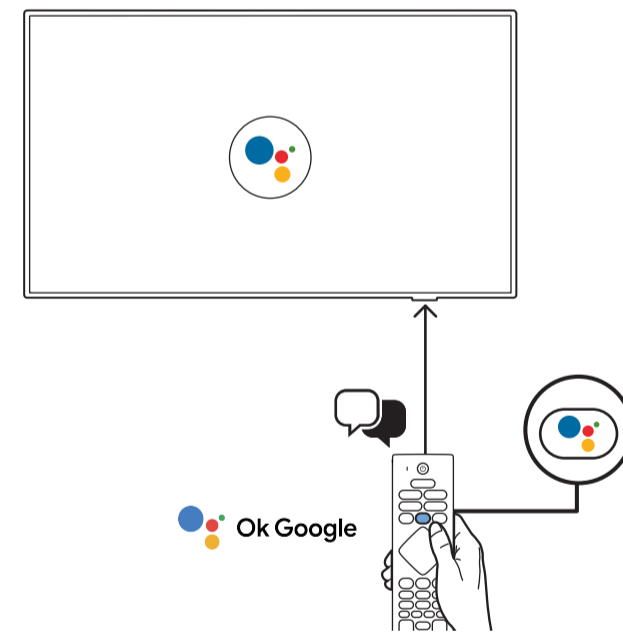
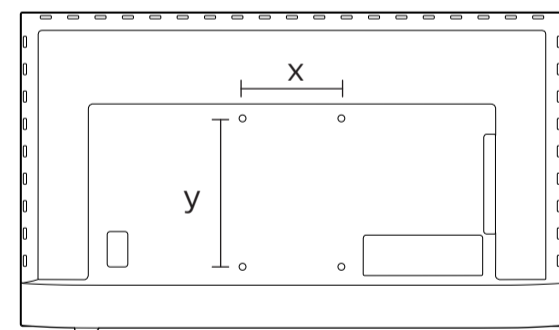


Registre seu produto e obtenha suporte em
www.philips.com/TVsupport



VESA (x, y)

55" 200x300mm M6
(L: 10mm~16mm) 139 cm
65" 300x300mm M6
(L: 12mm~20mm) 164 cm



All registered and unregistered trademarks are property of their respective owners. Specifications are subject to change without notice. Philips and the Philips shield emblem are trademarks of Koninklijke Philips N.V. and are used under license from Koninklijke Philips N.V. This product has been manufactured by and is sold under the responsibility of TP Vision Europe B.V. and TP Vision Europe B.V. is the warrantor in relation to this product. 2021© TP Vision Europe B.V. All rights reserved. www.philips.com/welcome