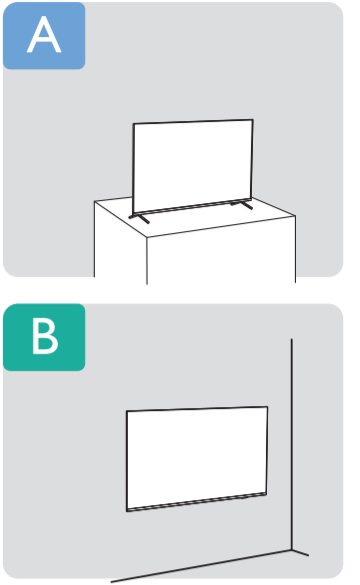
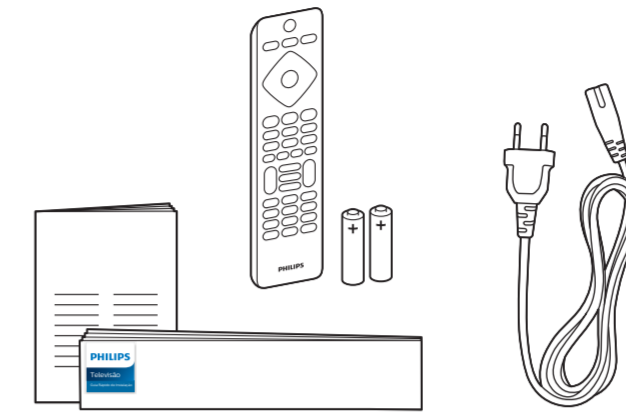
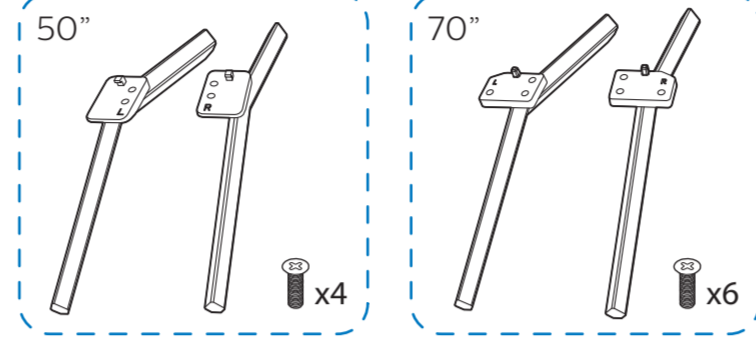


# PHILIPS

## Televisão

Guia Rápido de Instalação

50PUG7625/78  
70PUG7625/78

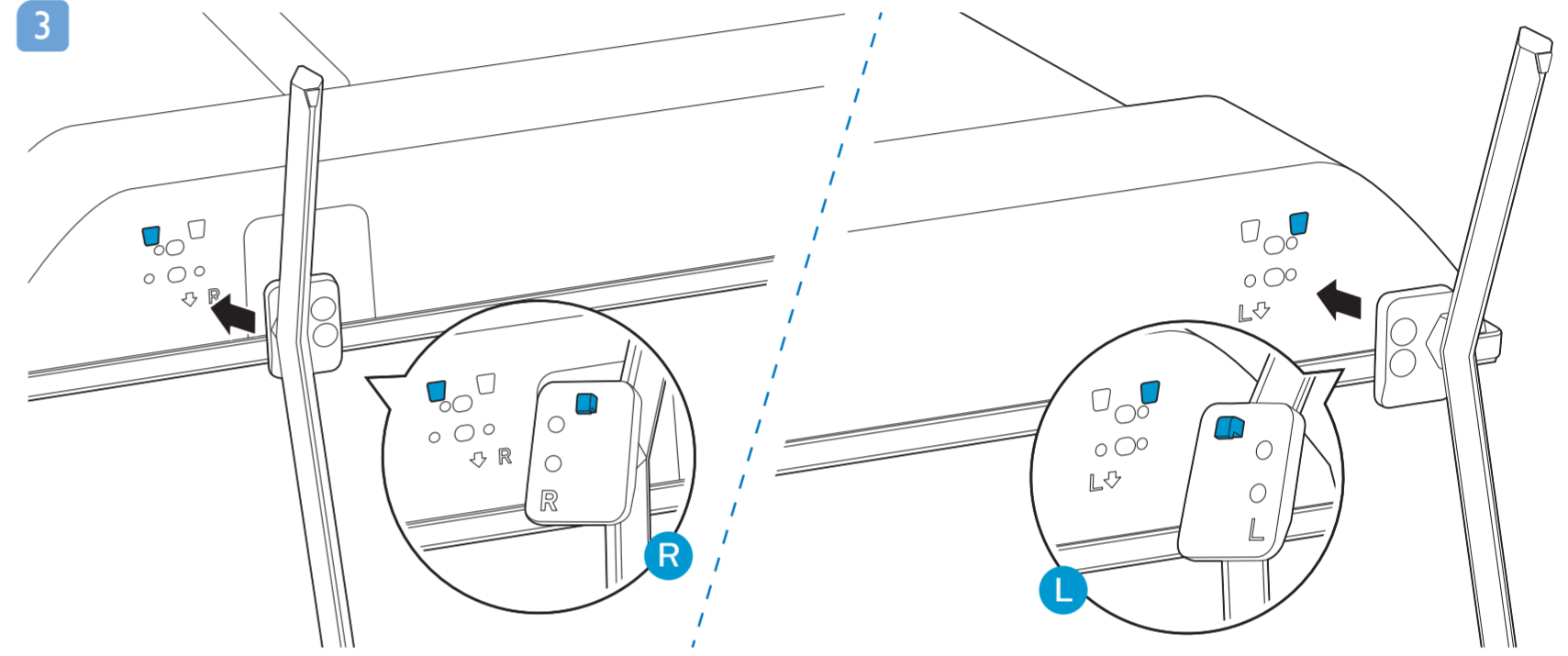
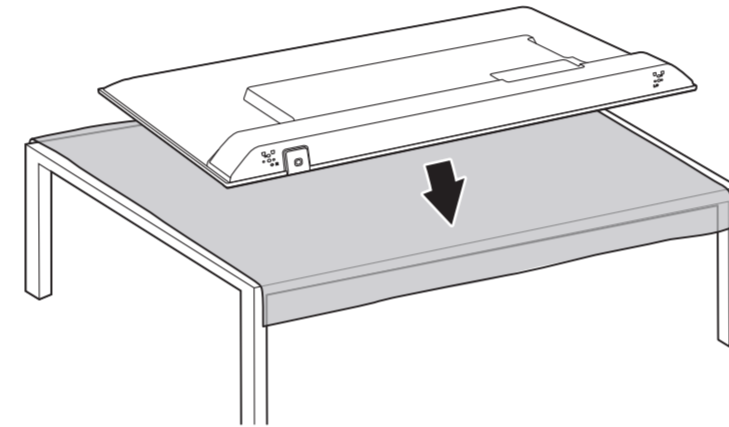
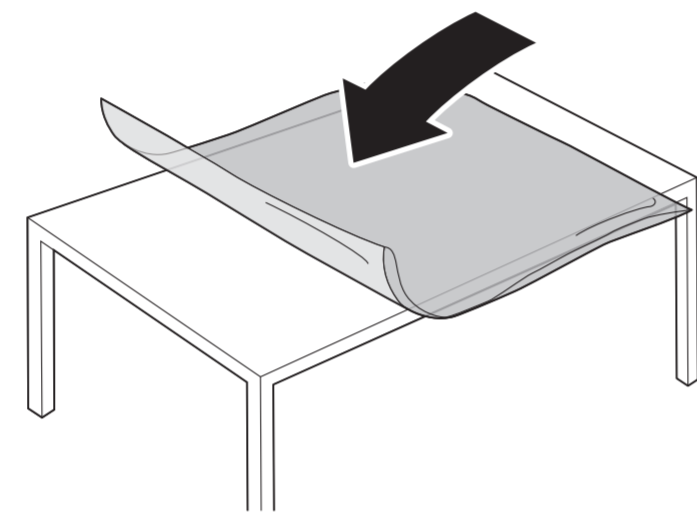
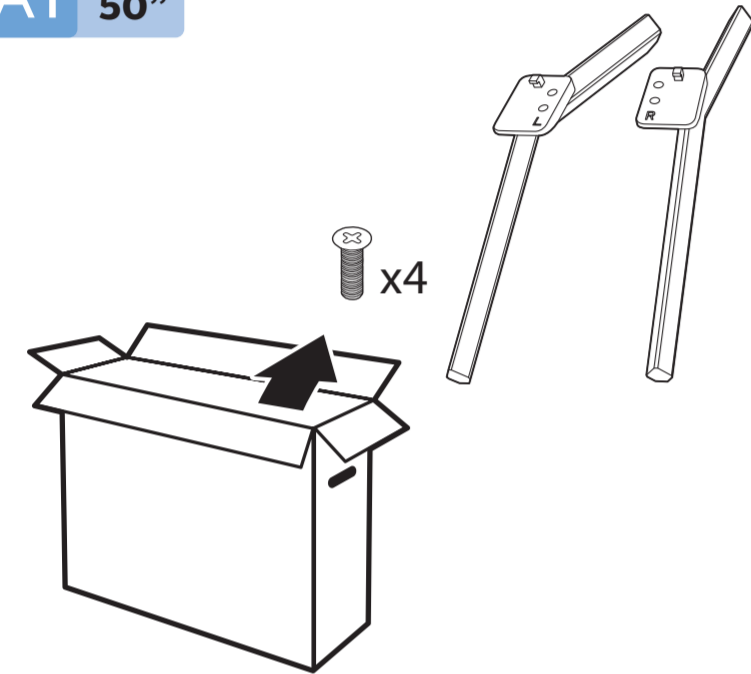


A1 50"

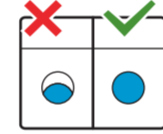
1

2

3



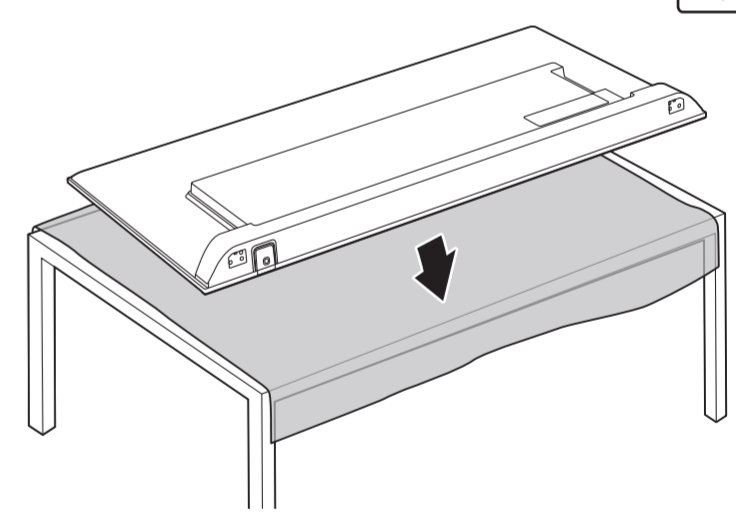
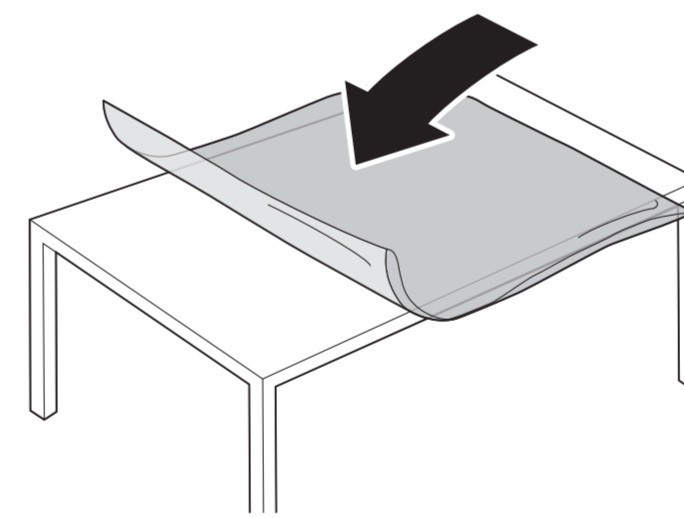
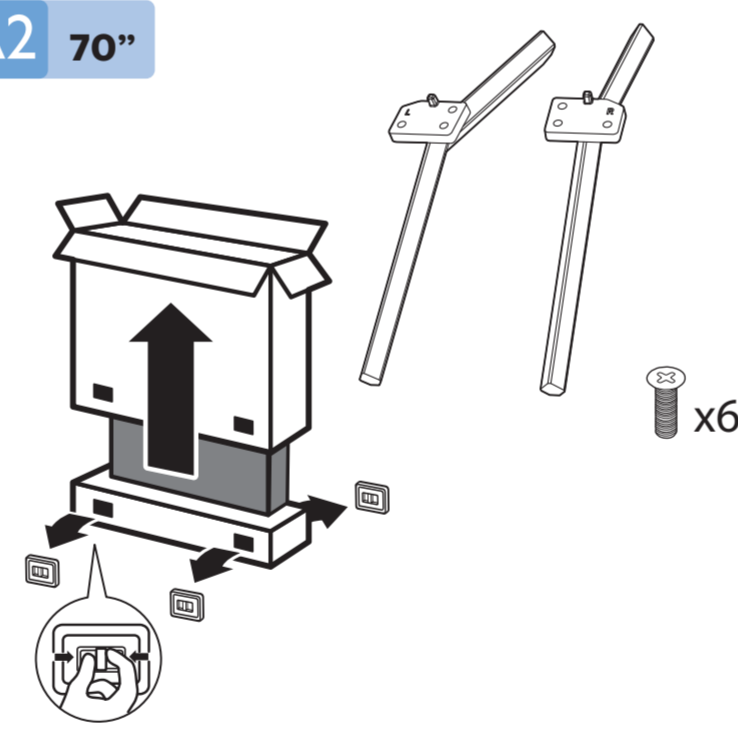
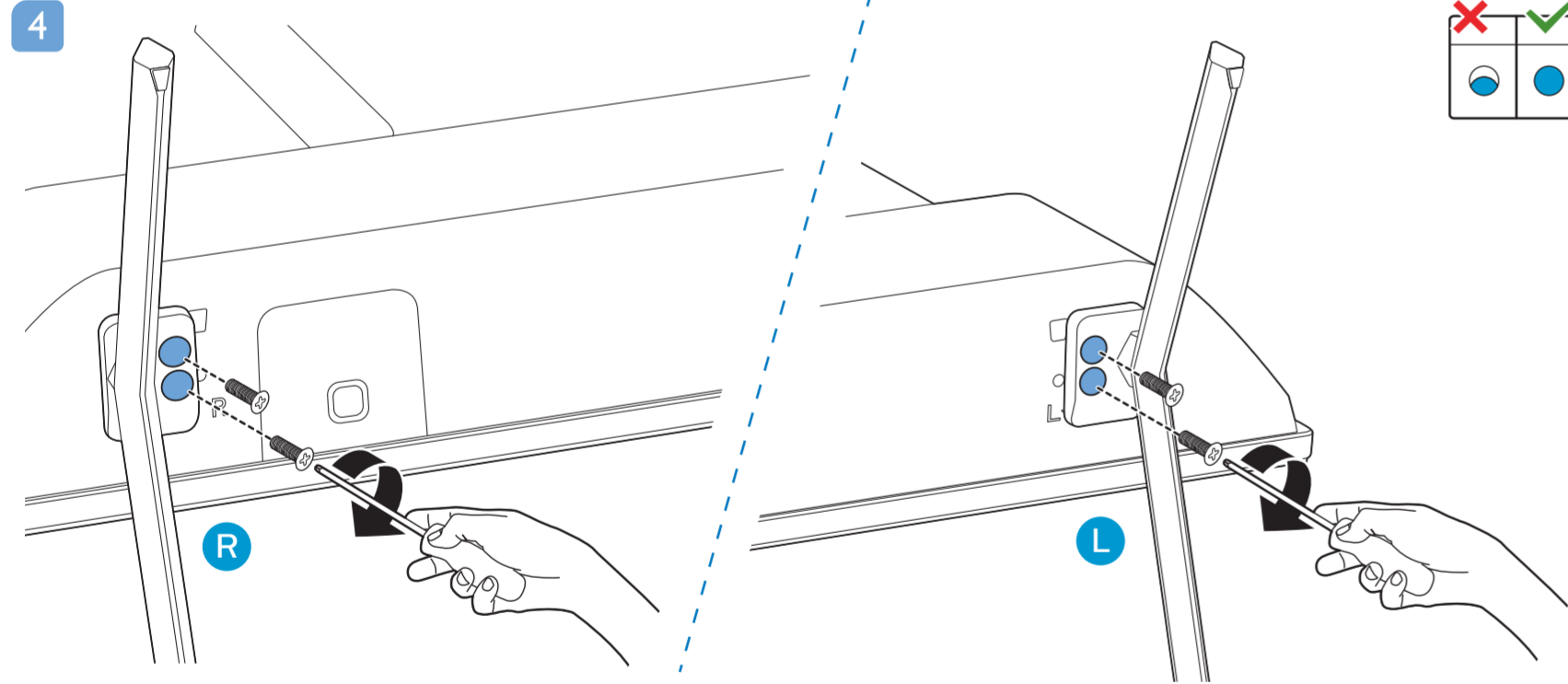
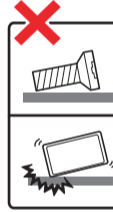
4



A2 70"

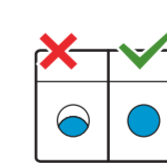
1

2

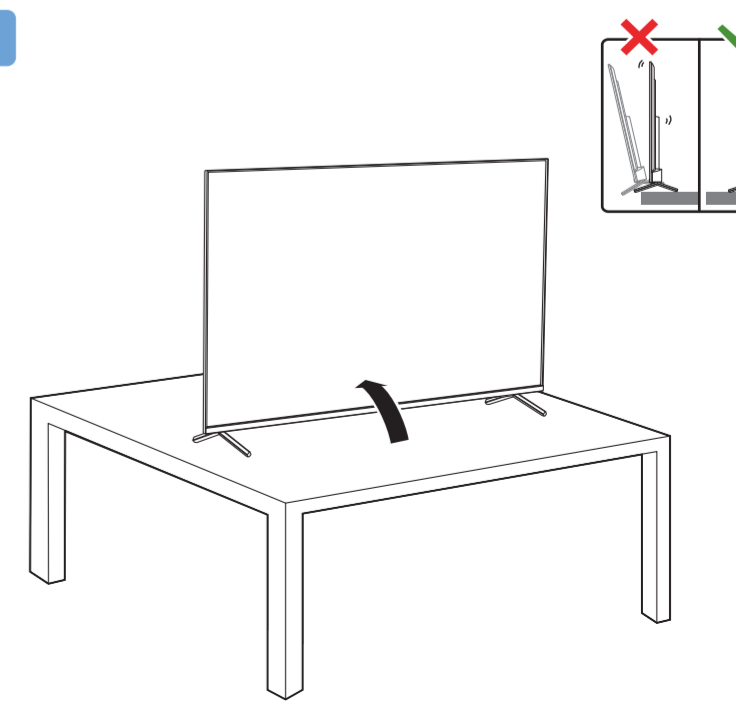
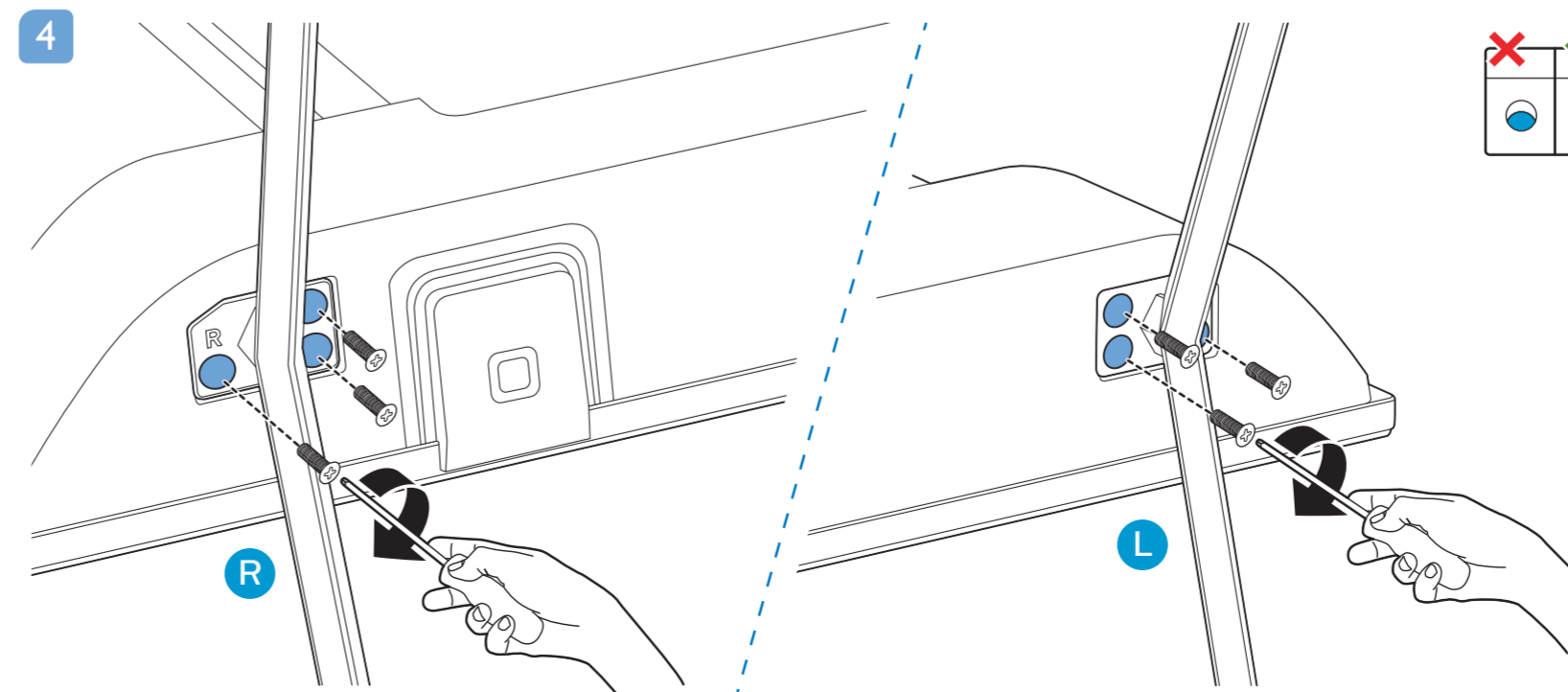
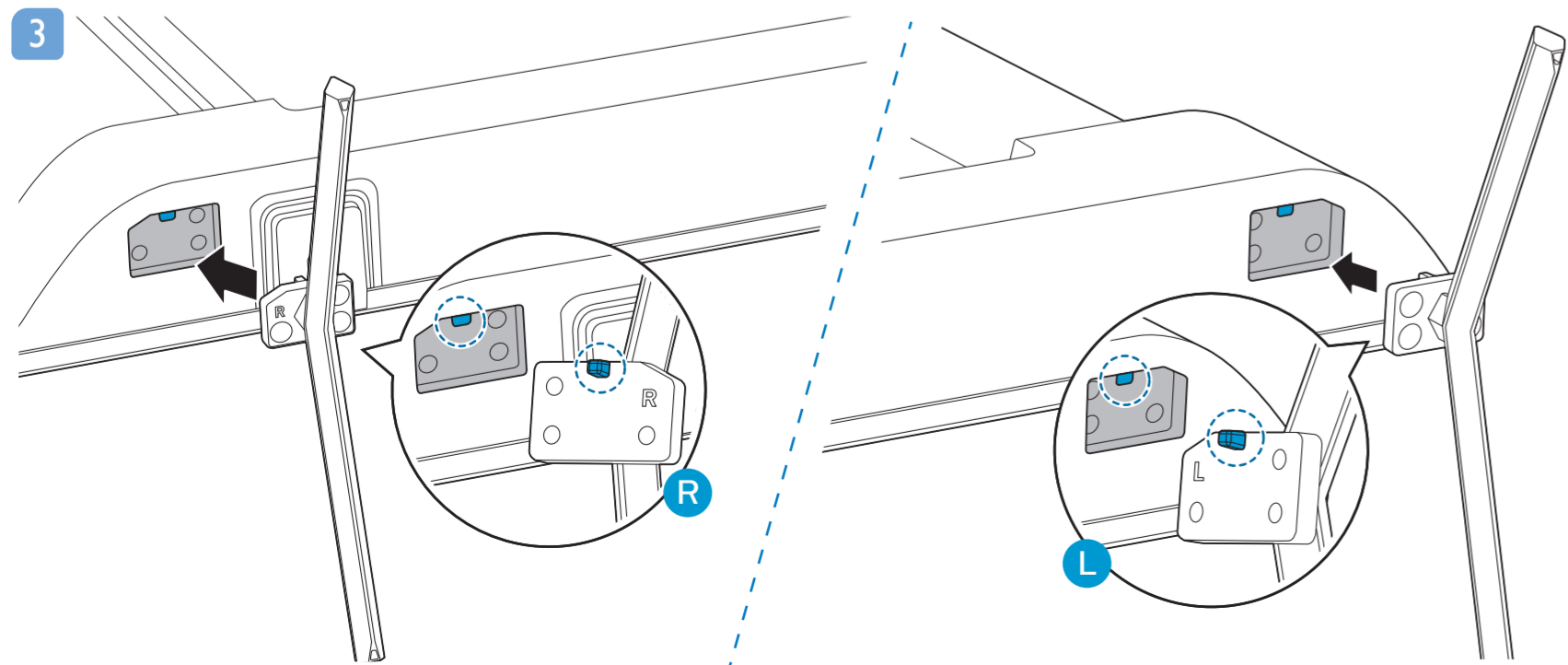
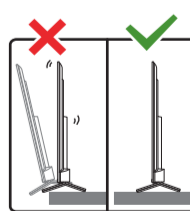


3

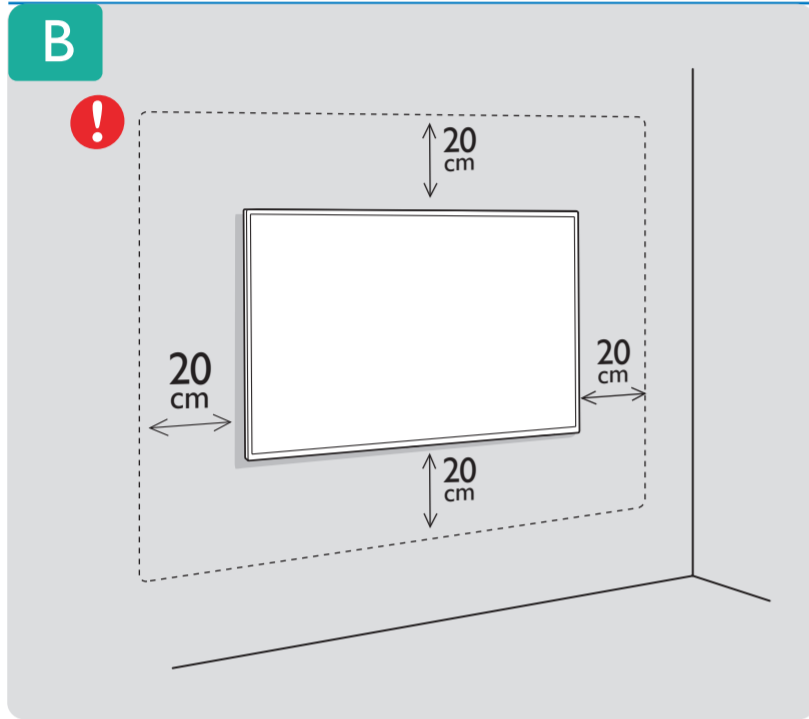
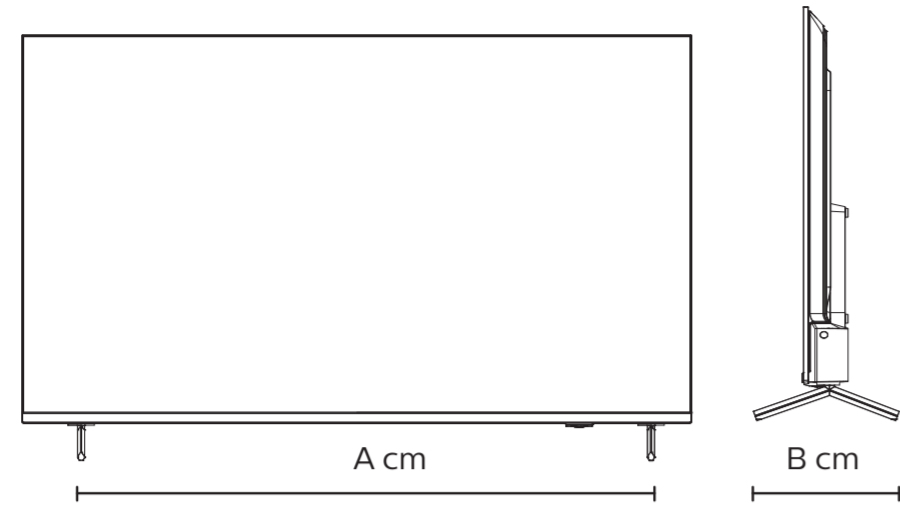
4



5



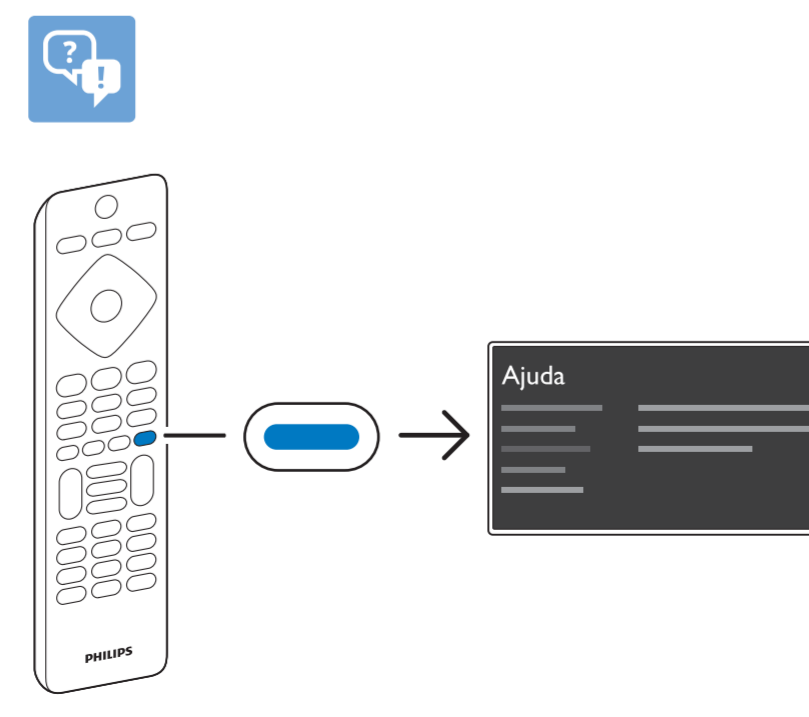
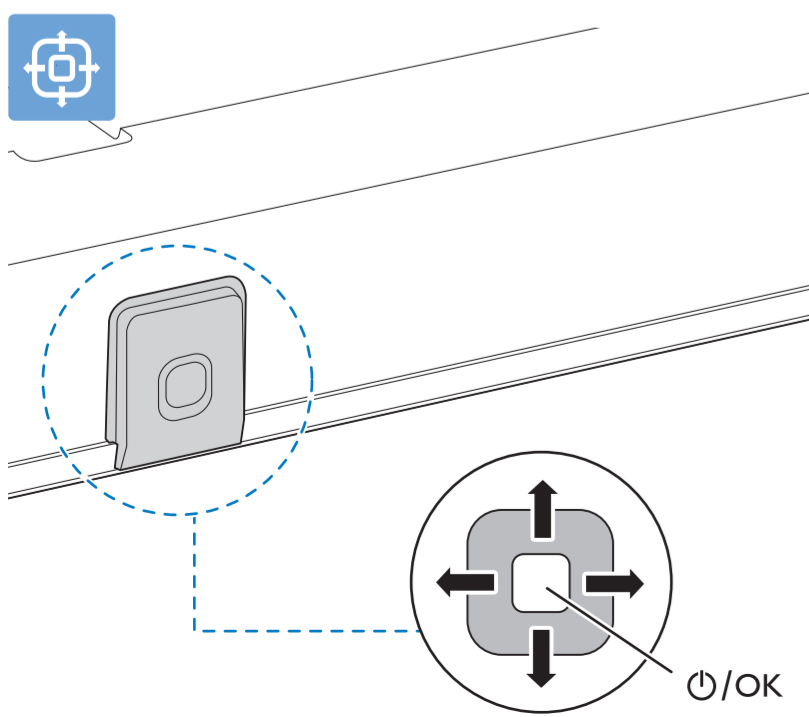
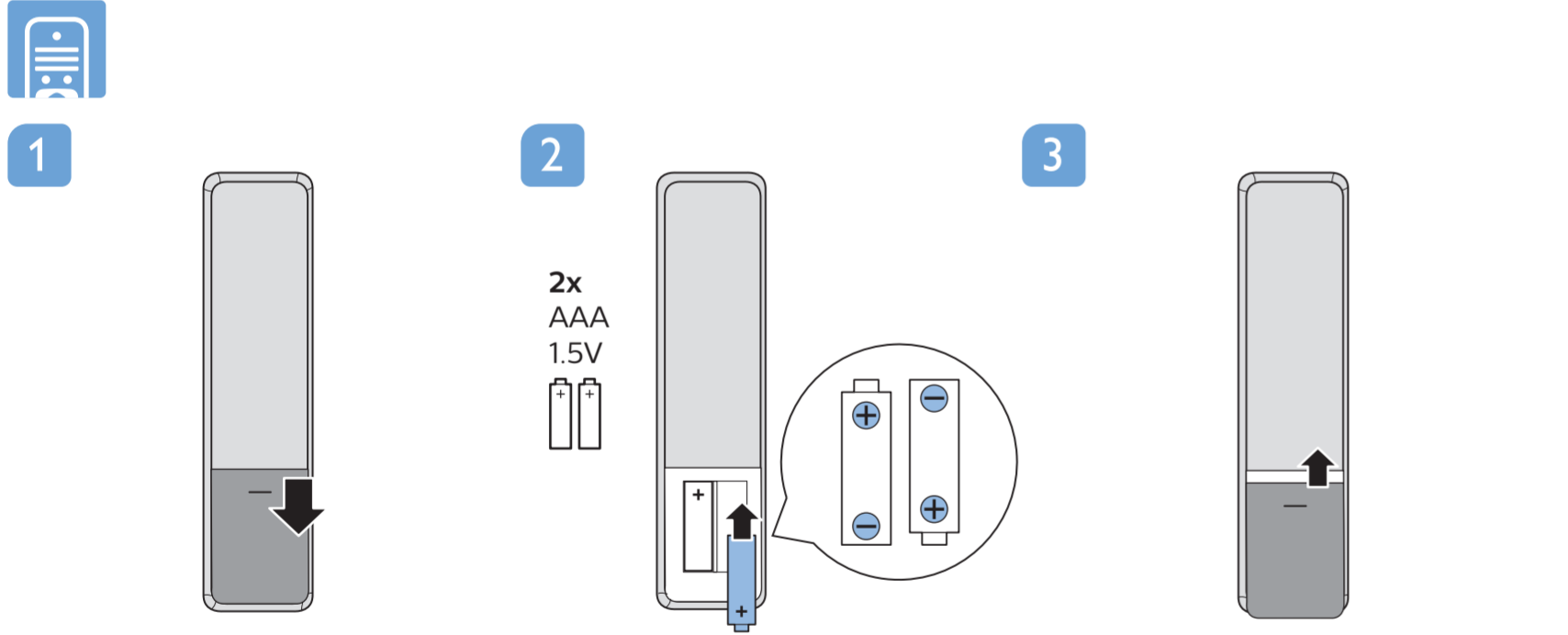
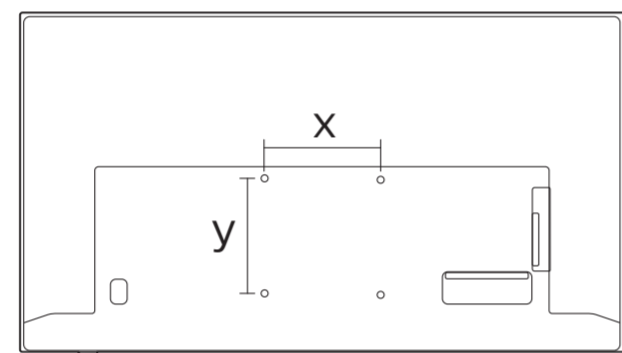
	A	B
50"	96.7	27.5
70"	138.3	32



**VESA (x, y)**

50" 200x200mm M6 126 cm

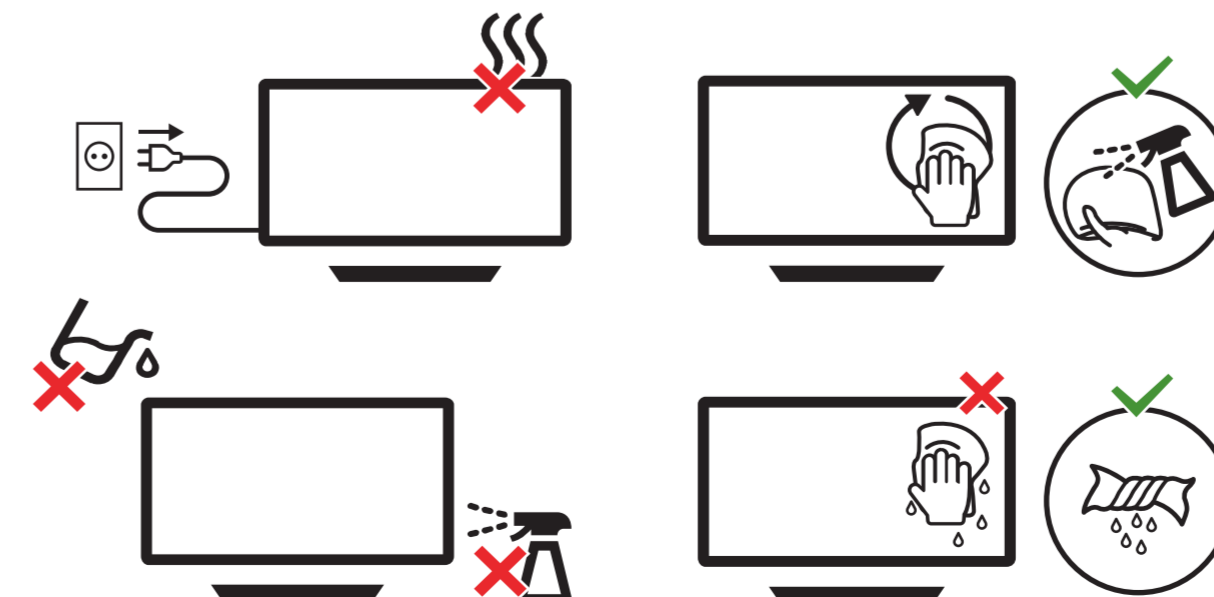
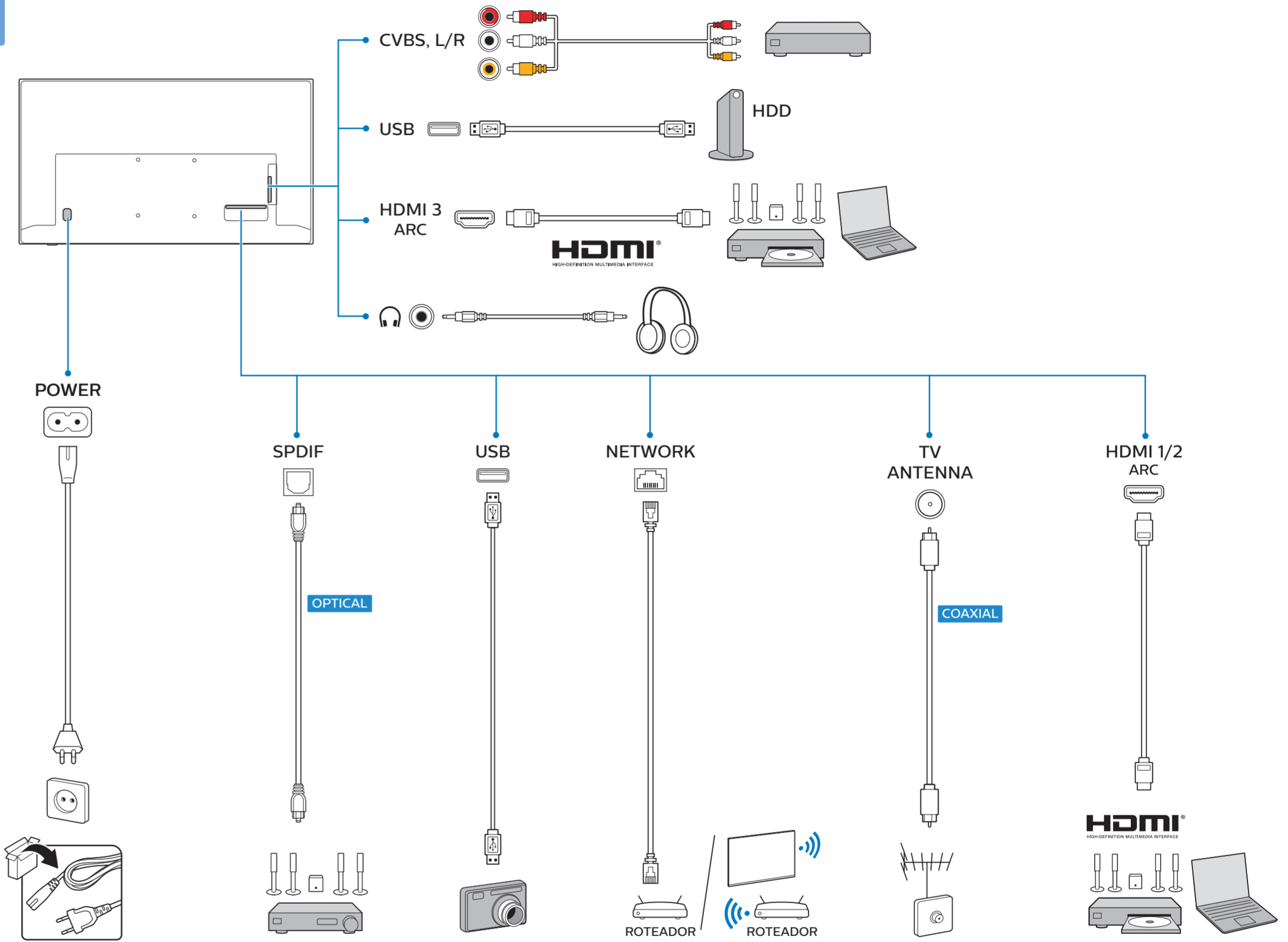
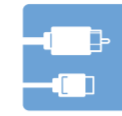
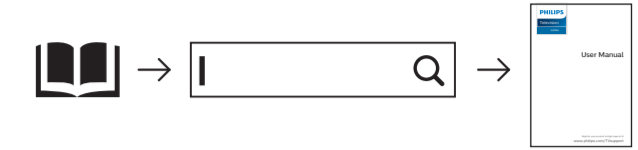
70" 300x300mm M8 178 cm



**English** Read the safety instructions.  
**Português** Leia as instruções de segurança.



Registre seu produto e obtenha suporte em [www.philips.com/TVsupport](http://www.philips.com/TVsupport)



All registered and unregistered trademarks are property of their respective owners. Specifications are subject to change without notice. Philips and the Philips shield emblem are trademarks of Koninklijke Philips NV and are used under license from Koninklijke Philips NV. This product has been manufactured by and is sold under the responsibility of TP Vision Europe B.V. and TP Vision Europe B.V. is the warrantor in relation to this product. 2020 © TP Vision Europe B.V. All rights reserved. [www.philips.com/welcome](http://www.philips.com/welcome)