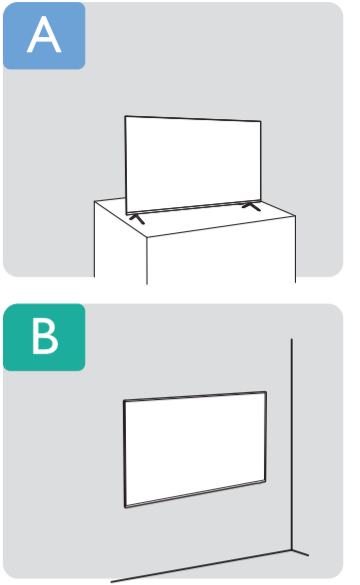
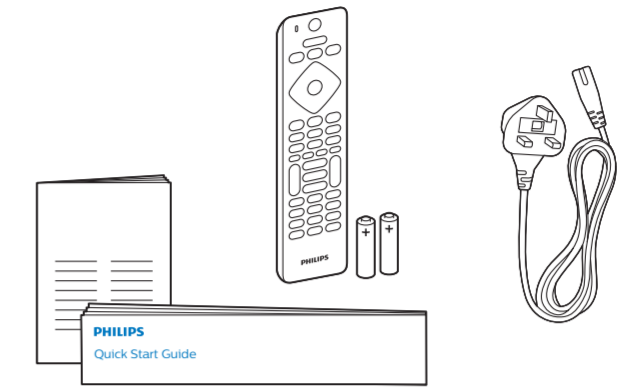
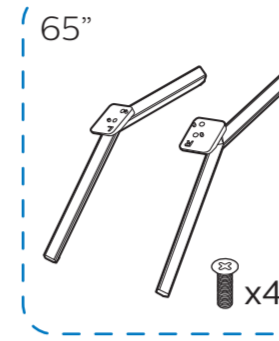
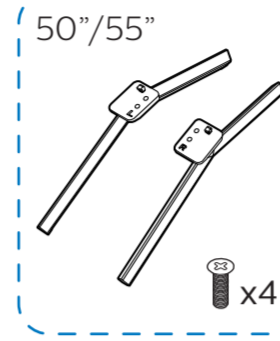
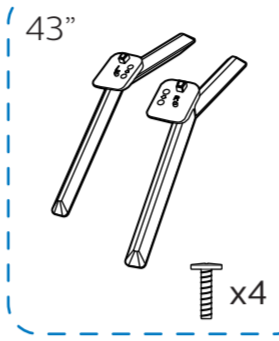
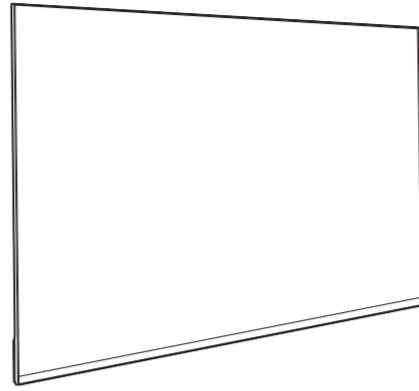
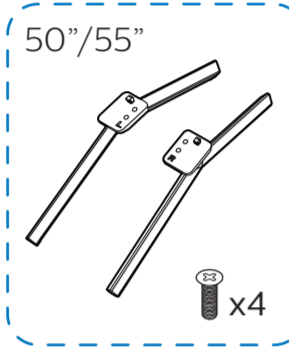
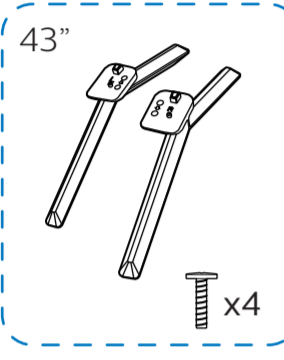


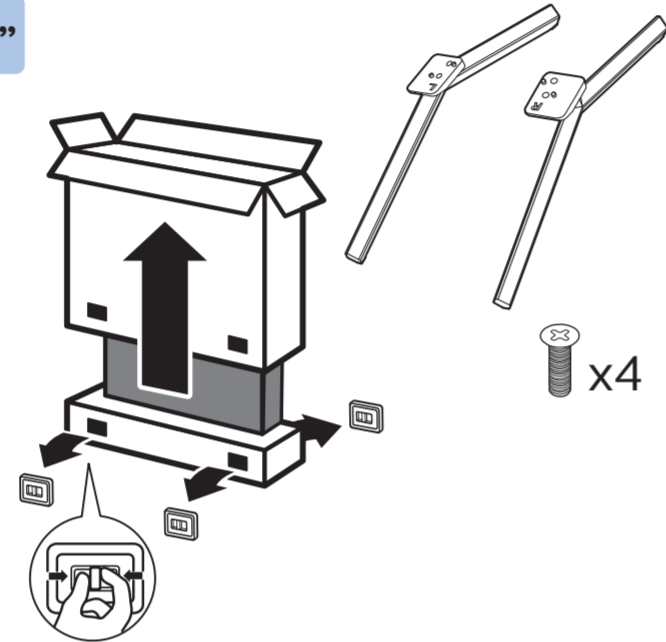
## 8100 Series Quick Start Guide



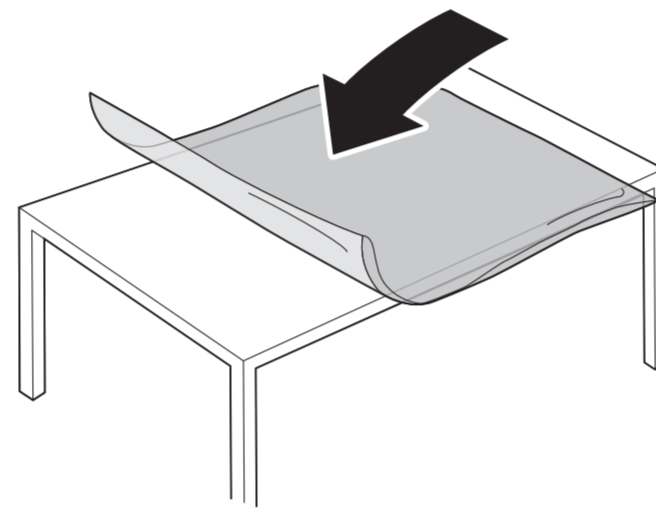
A  
43"  
50"  
55"



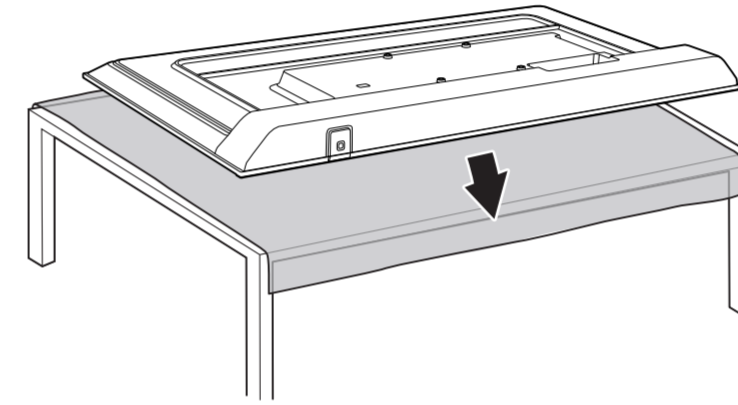
65"



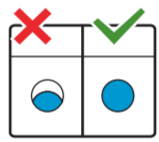
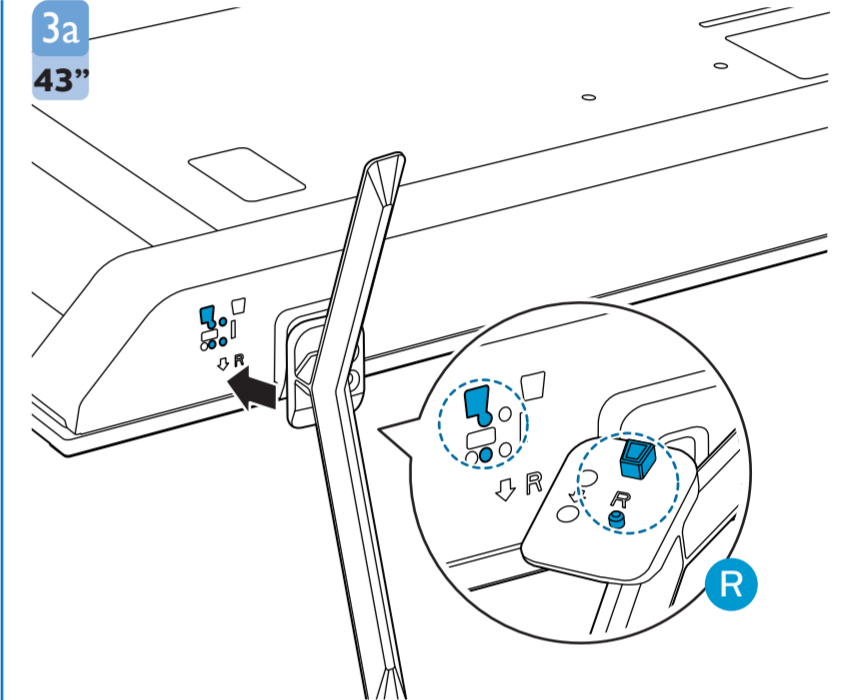
1



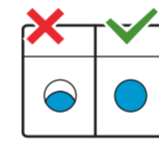
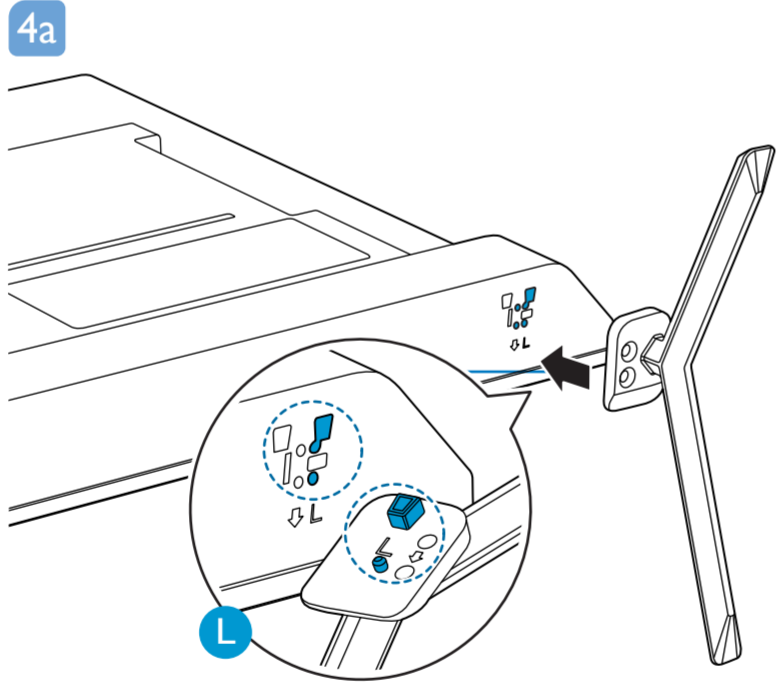
2



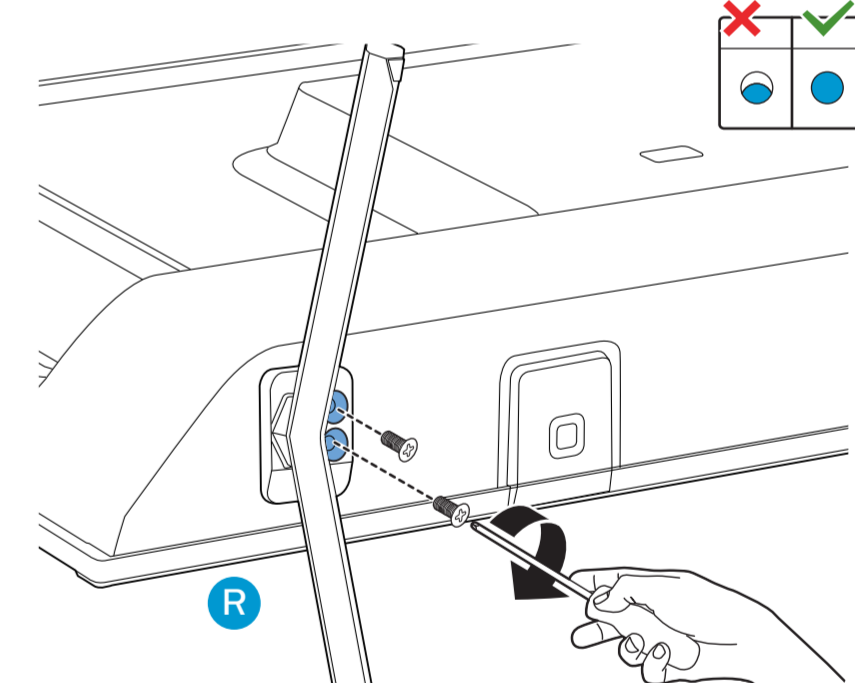
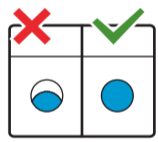
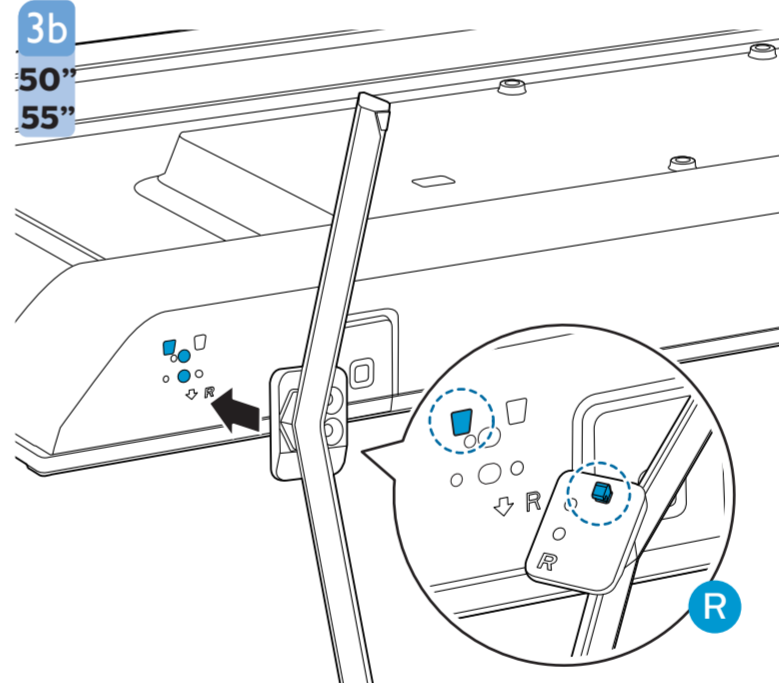
3a  
43"



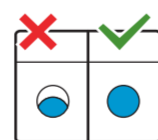
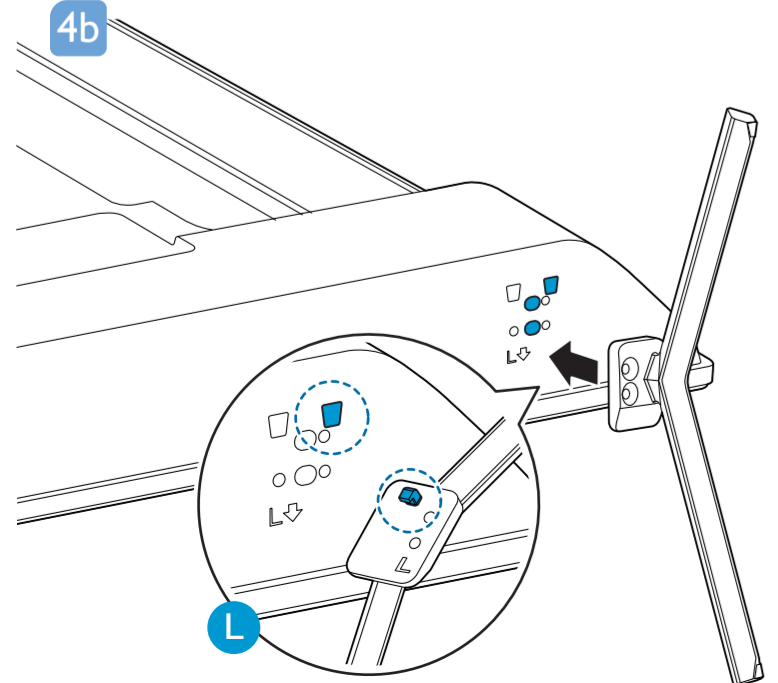
4a



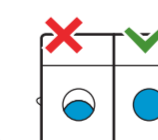
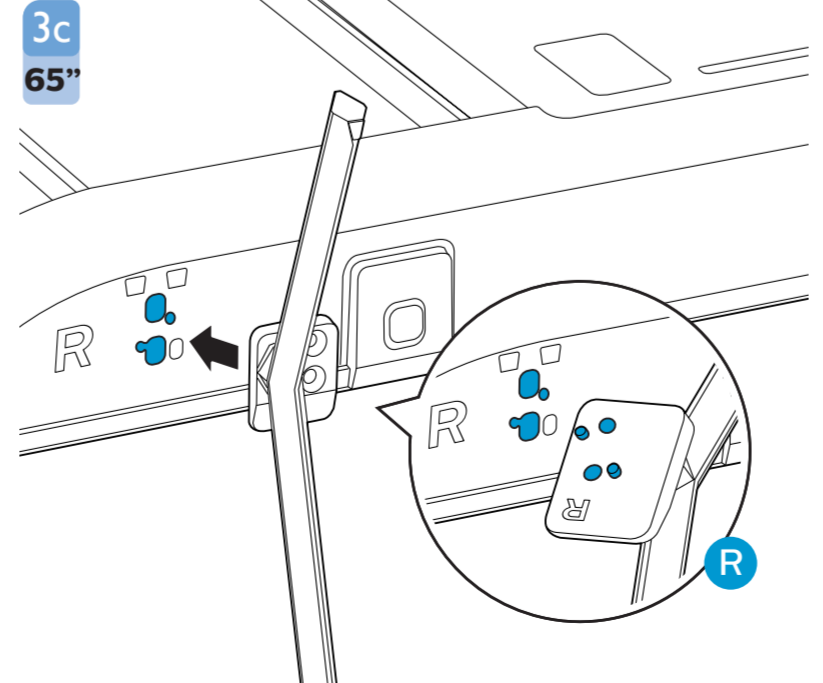
3b  
50"  
55"



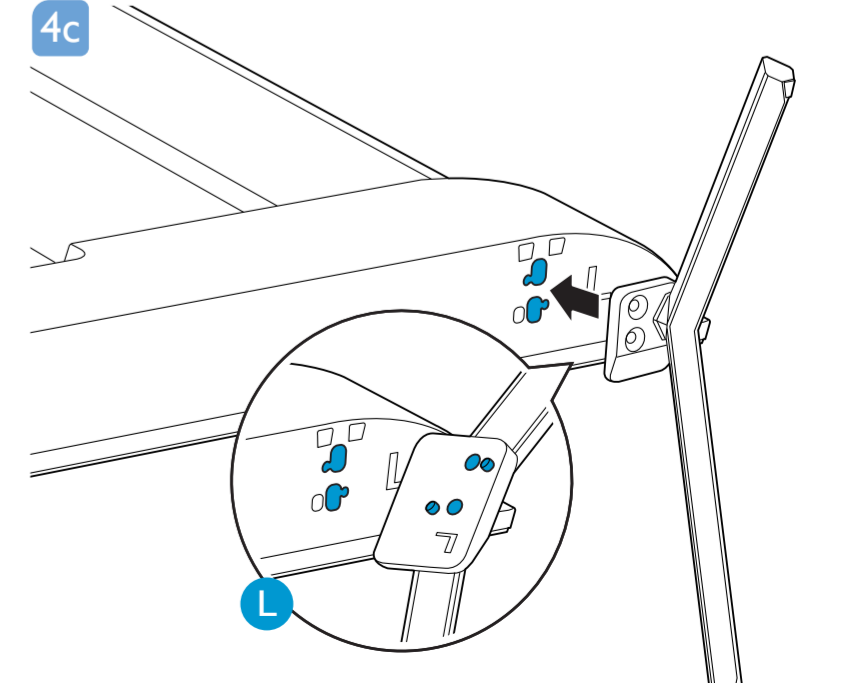
4b

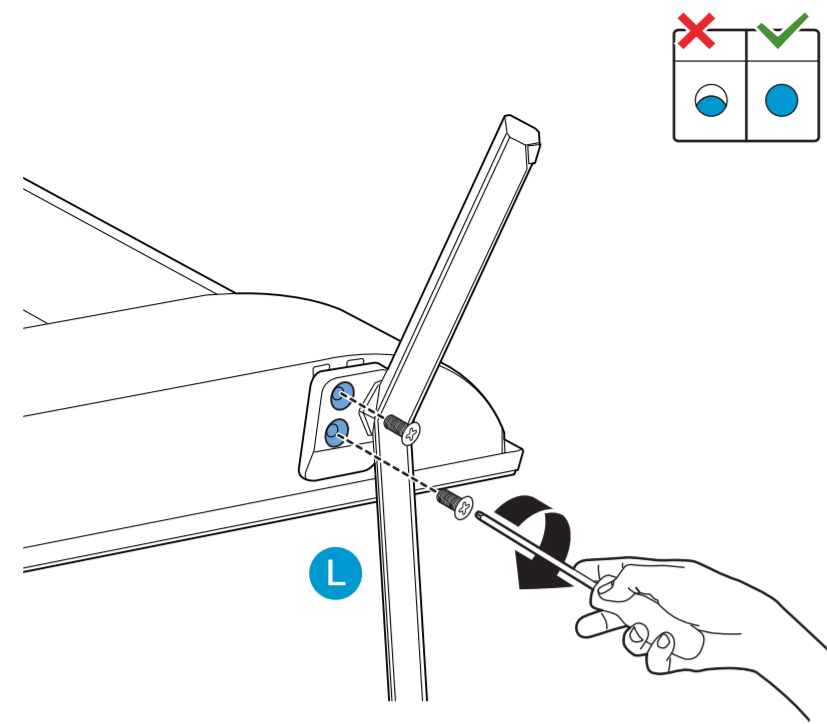


3c  
65"

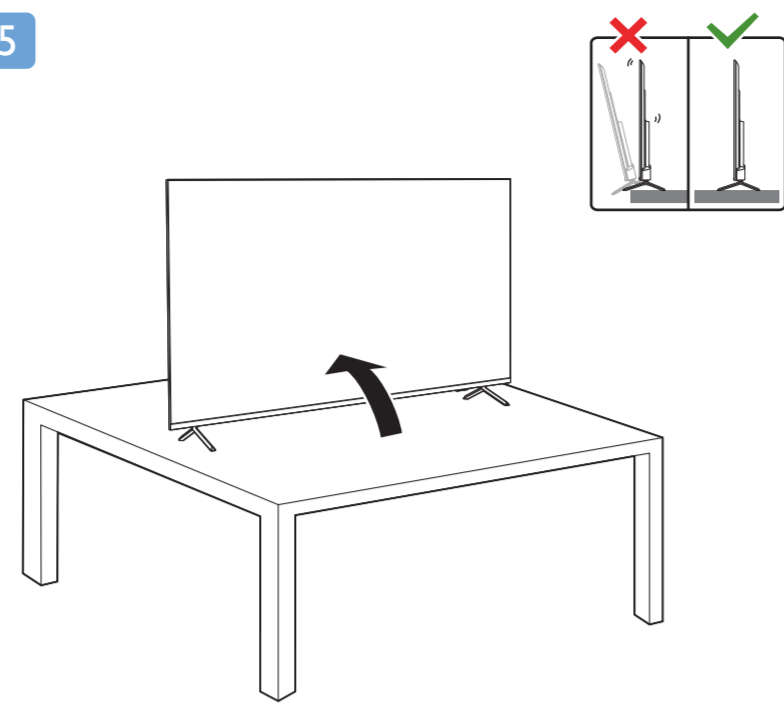


4c





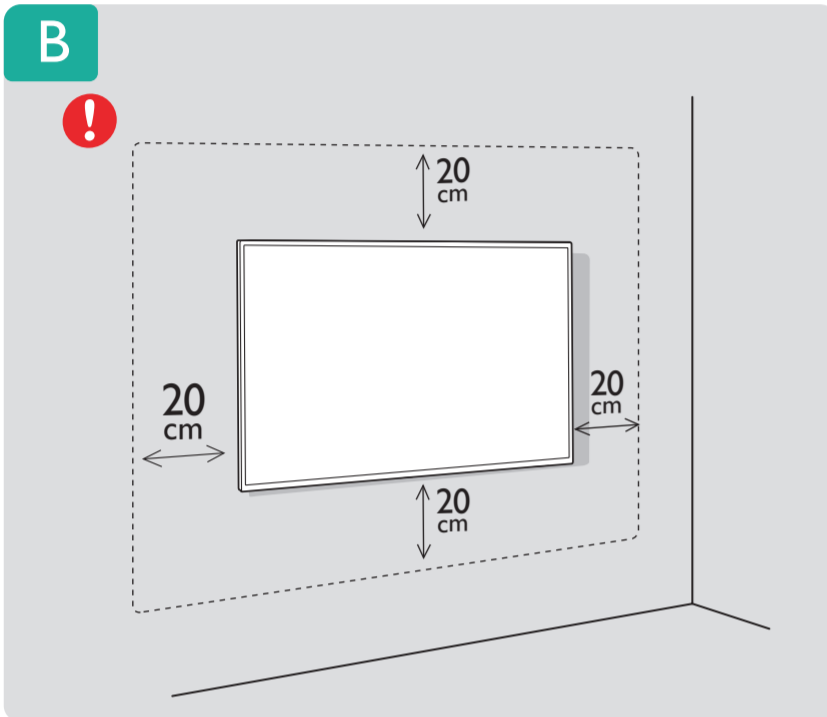
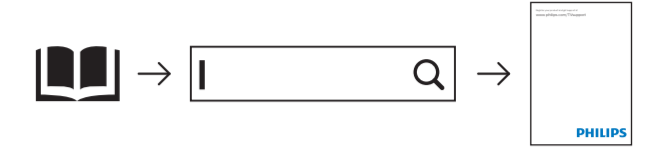
5



English Read the safety instructions.  
 繁體中文 請閱讀安全說明。  
 简体中文 請閱讀安全說明。

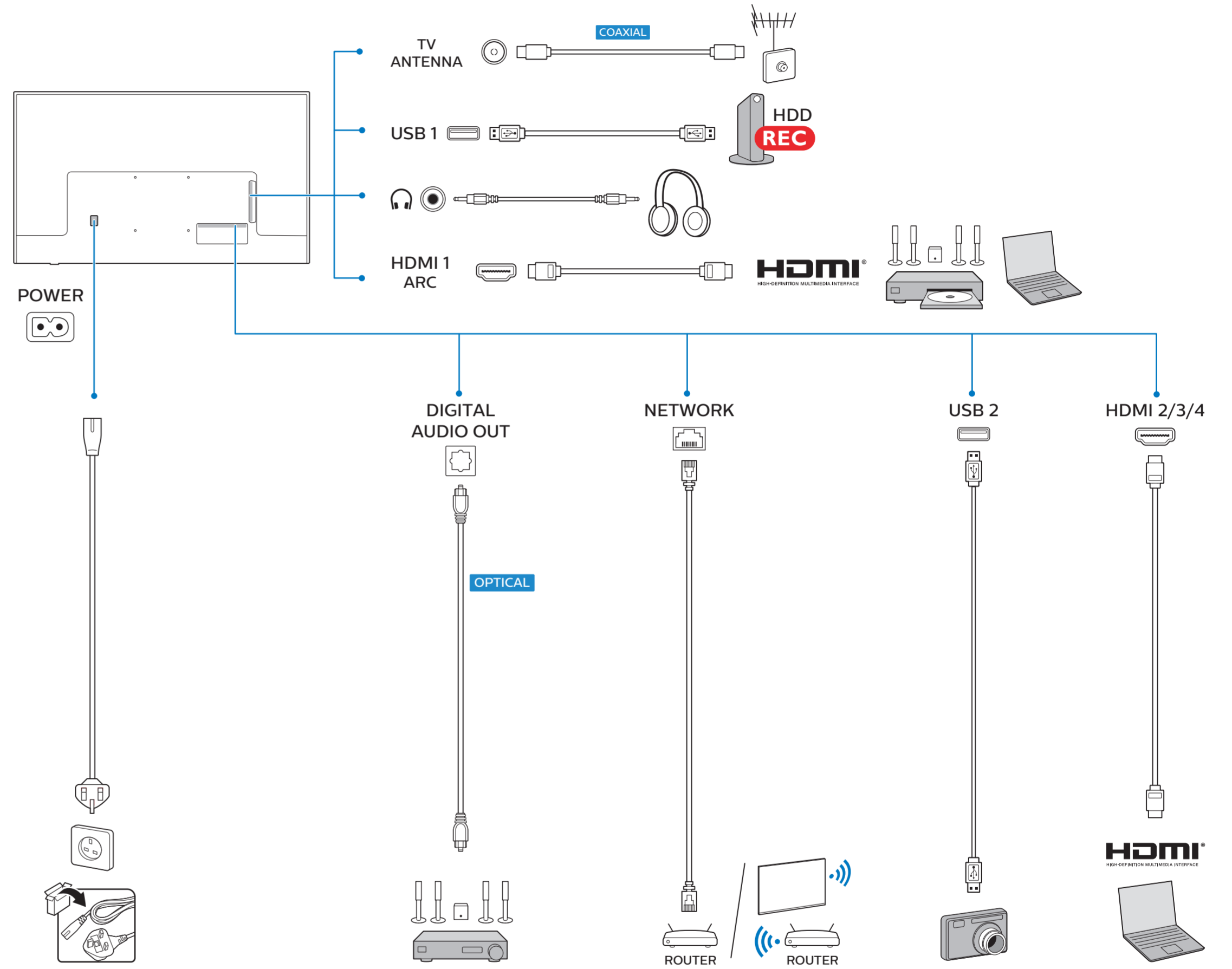
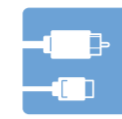
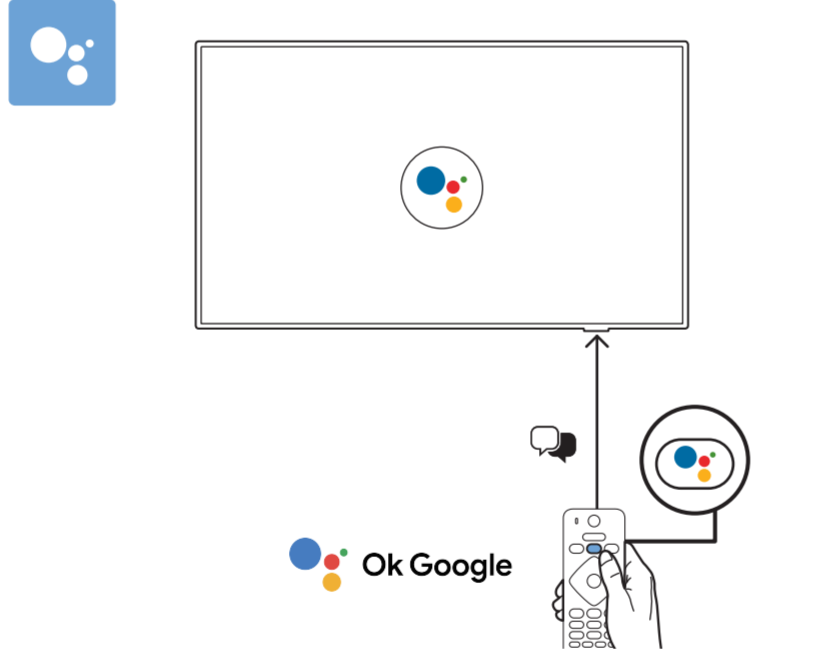
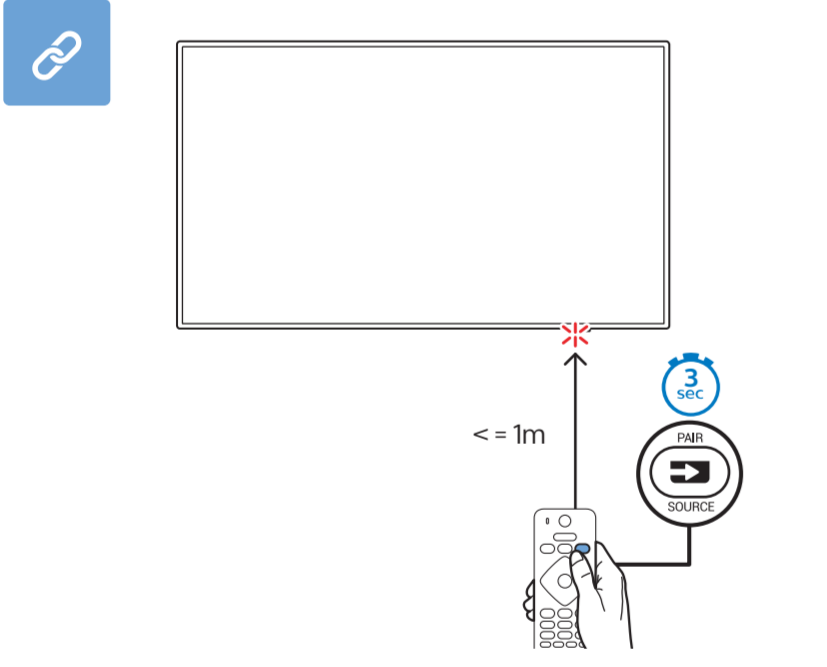
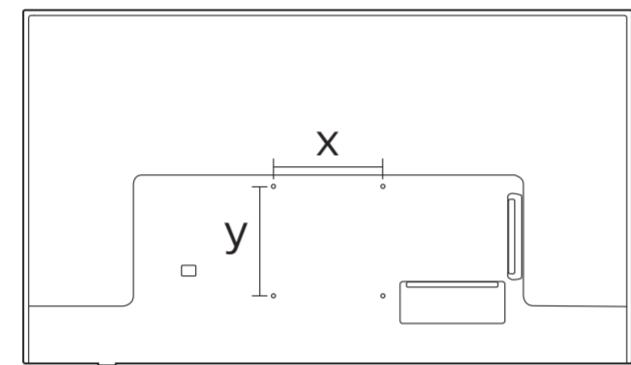


Register your product and get support at  
[www.philips.com/TVsupport](http://www.philips.com/TVsupport)



**VESA (x, y)**

- 43" 100x200mm M6 108 cm
- 50" 200x200mm M6 126 cm
- 55" 200x200mm M6 139 cm
- 65" 300x300mm M6 164 cm

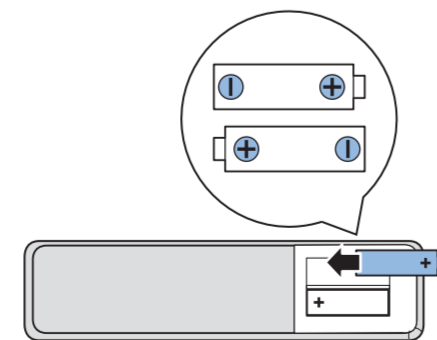


1

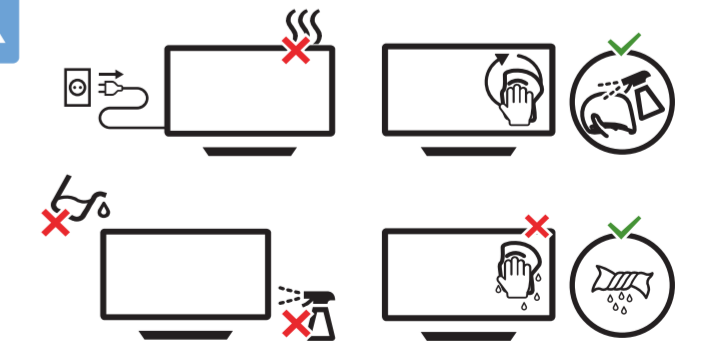
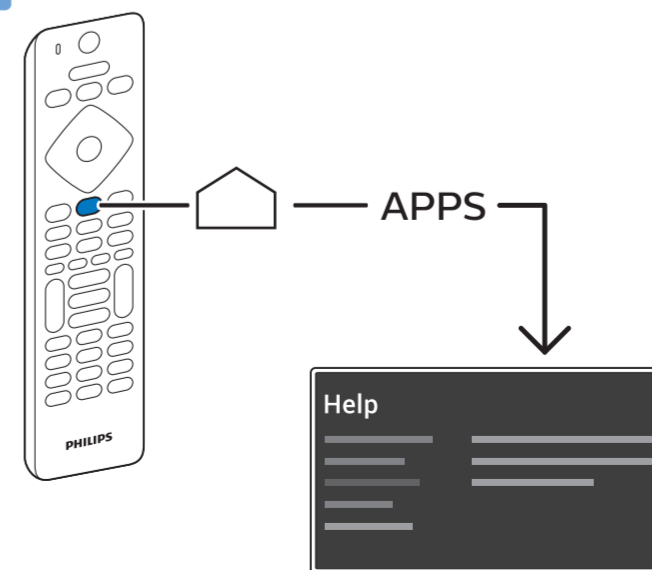


2

2x  
AAA  
R03  
1.5V



3



All registered and unregistered trademarks are property of their respective owners.  
 Specifications are subject to change without notice.  
 Philips and the Philips shield emblem are trademarks of Koninklijke Philips N.V.  
 and are used under license from Koninklijke Philips N.V.  
 2021© TP Vision Europe B.V. All rights reserved.  
 philips.com