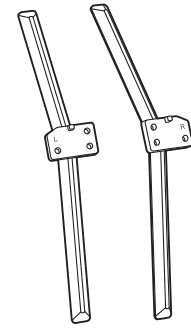
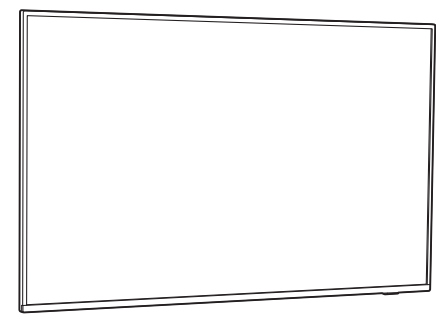
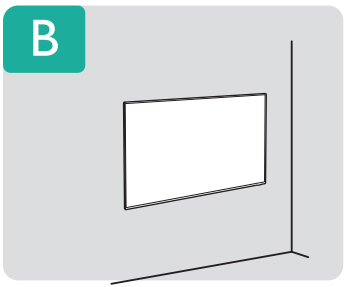
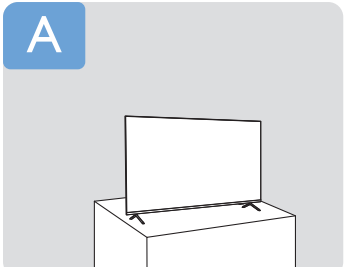
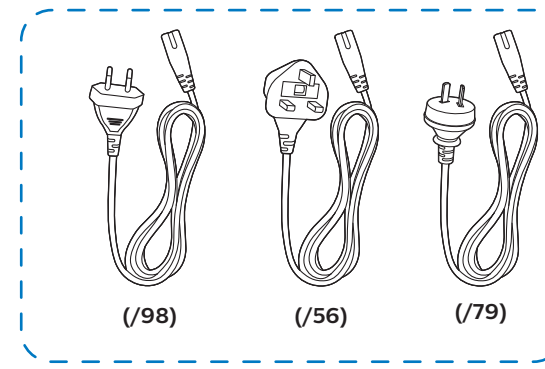
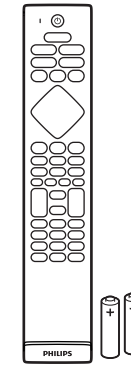
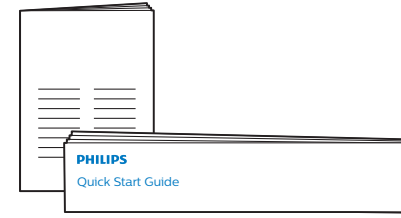


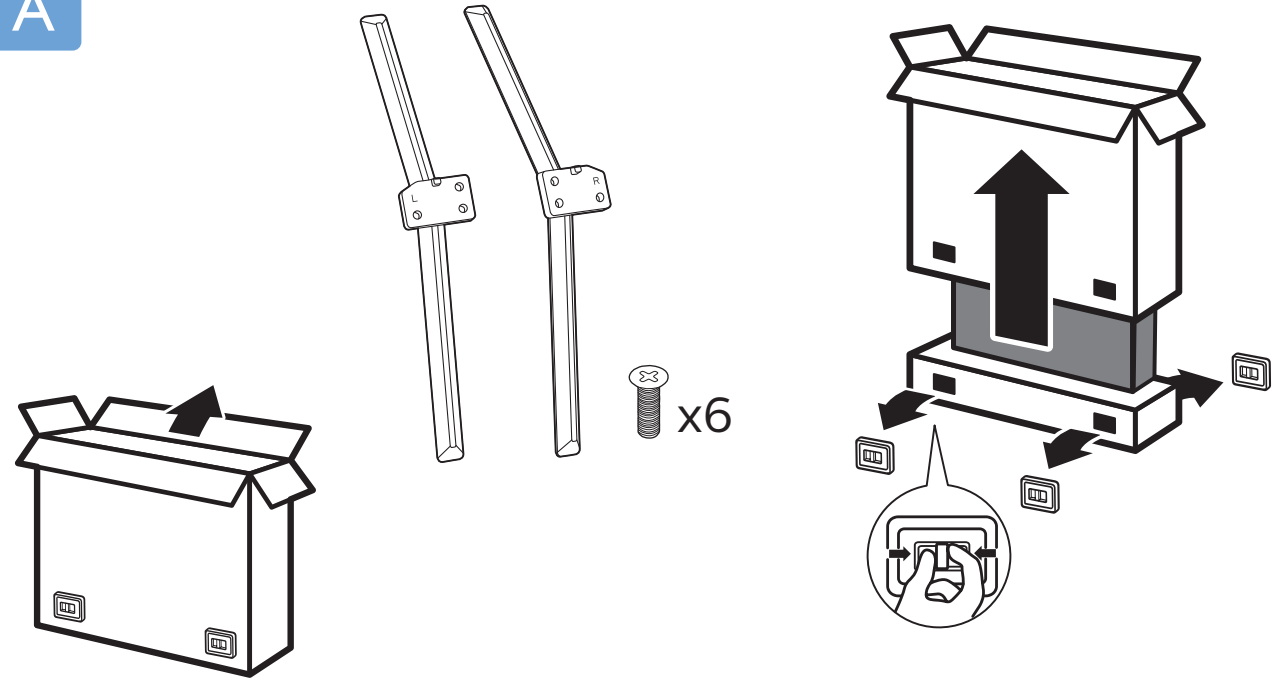
8265 Series Quick Start Guide



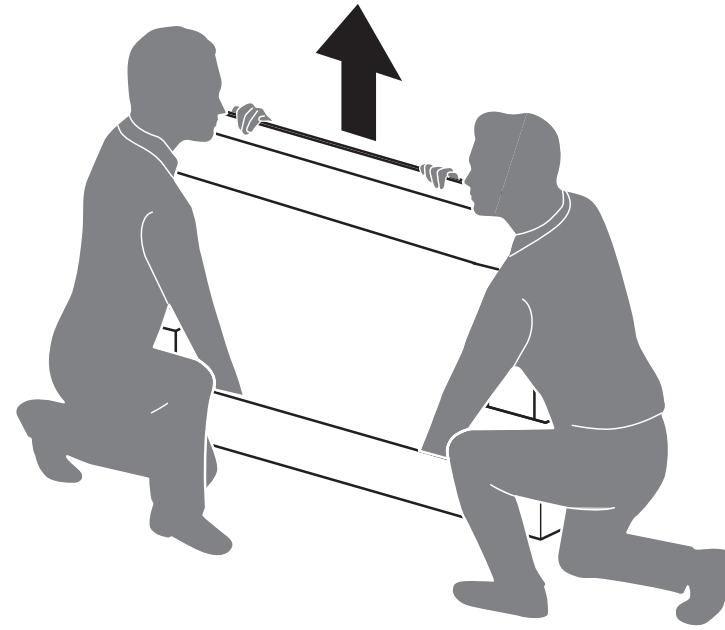
x6



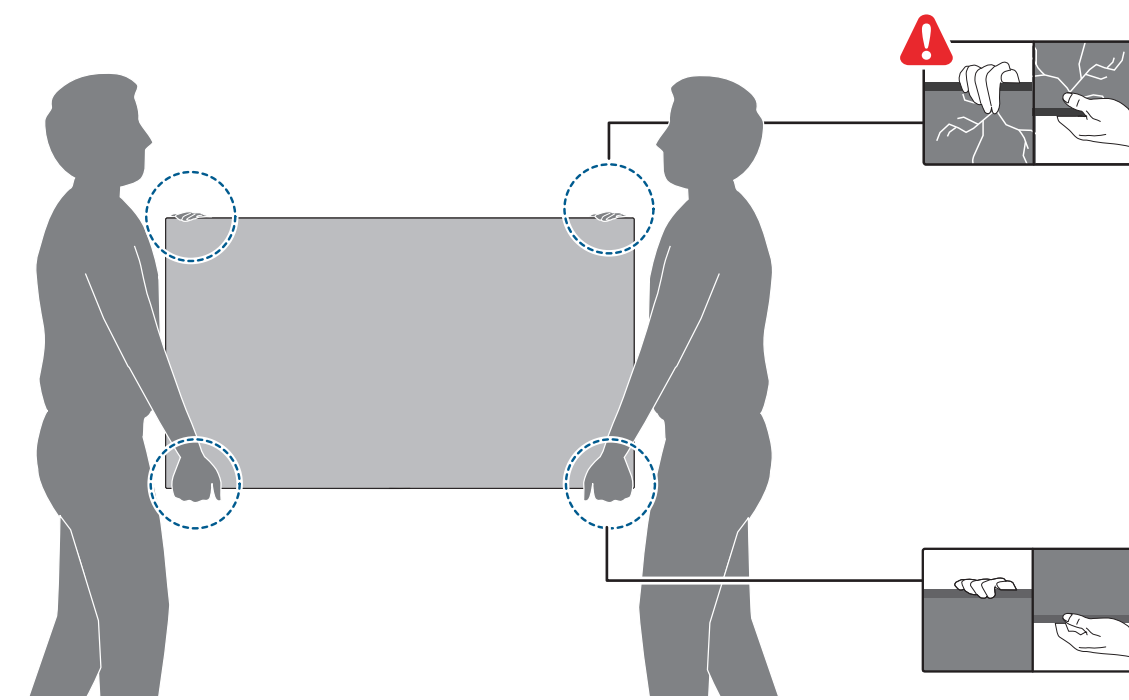
A



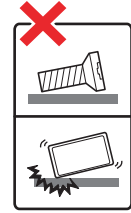
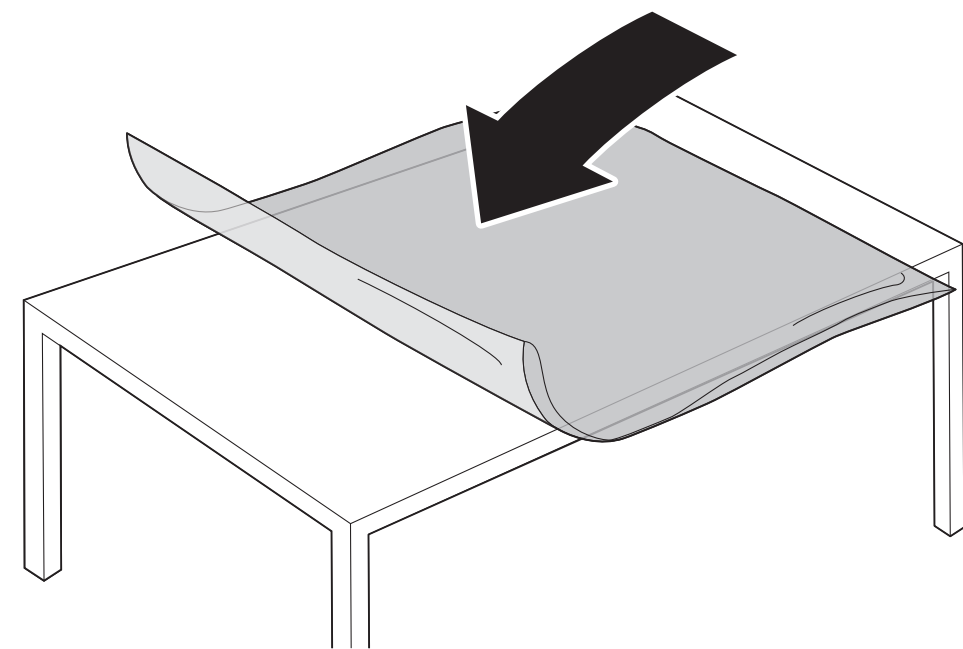
1



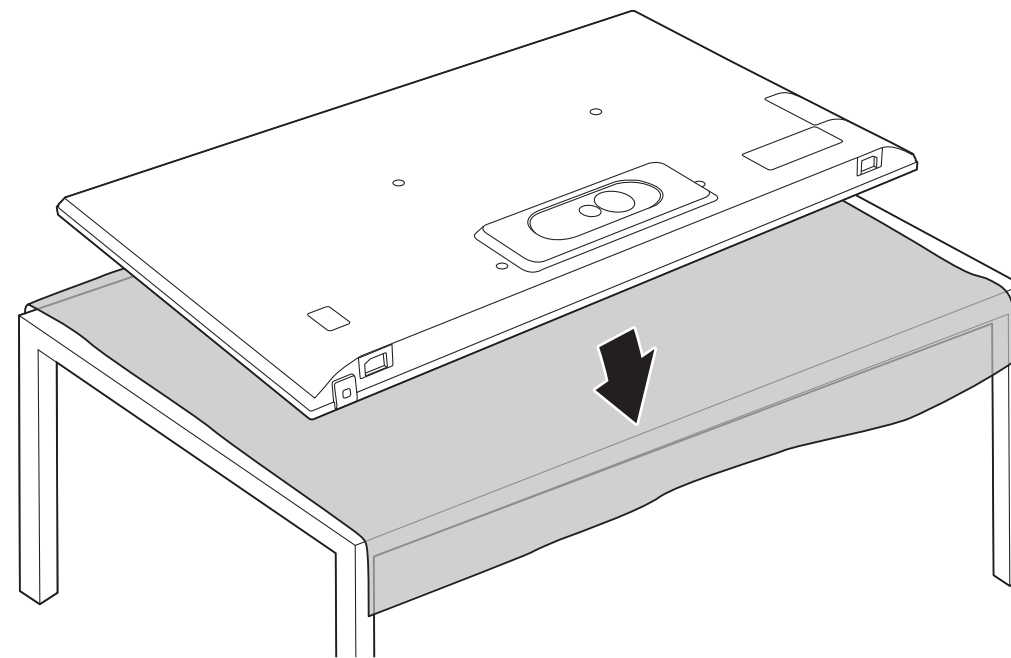
2



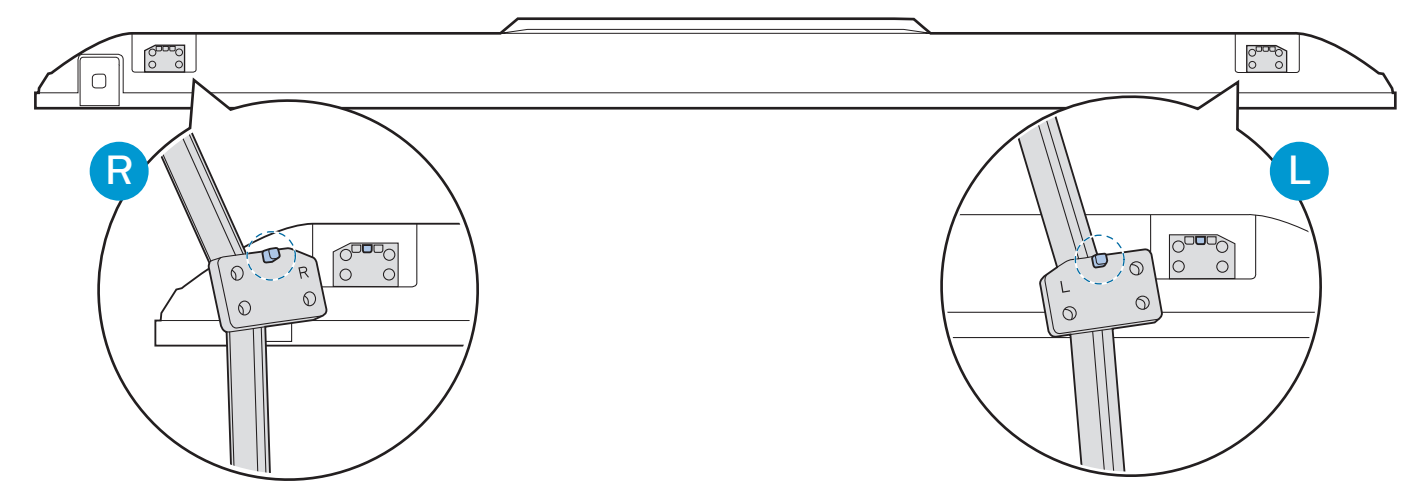
3



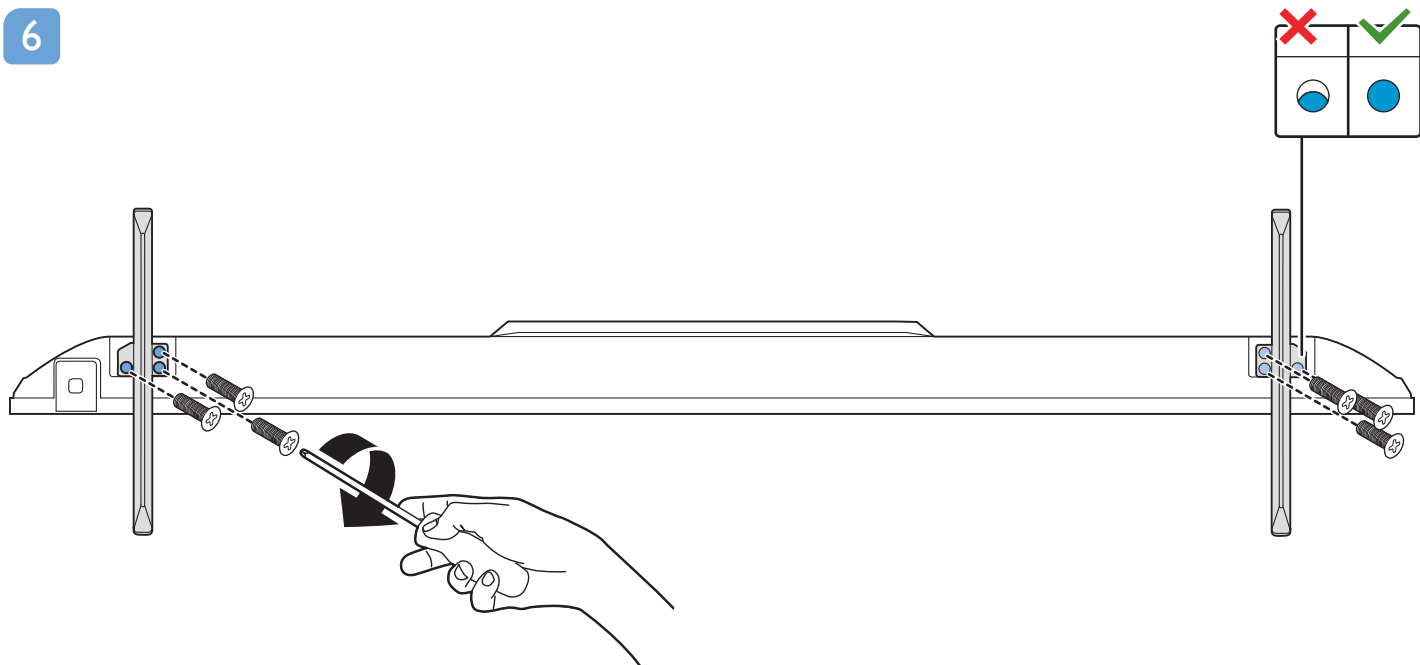
4



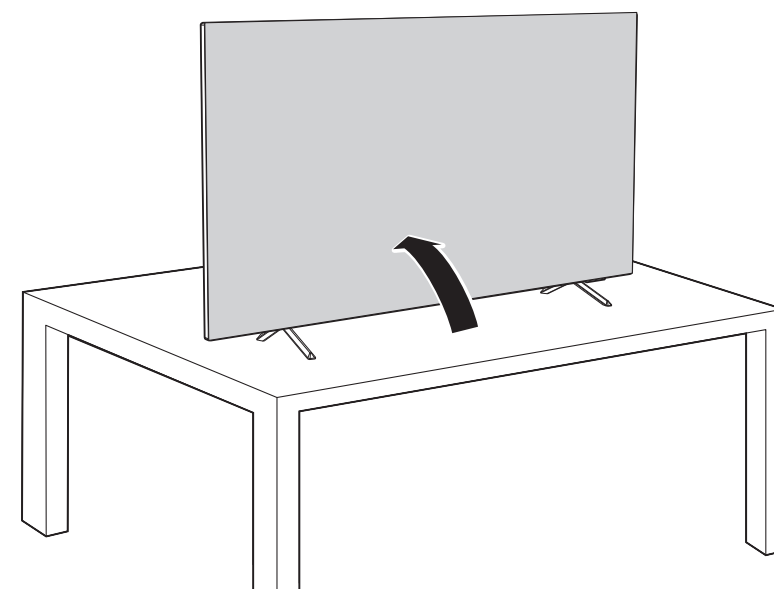
5



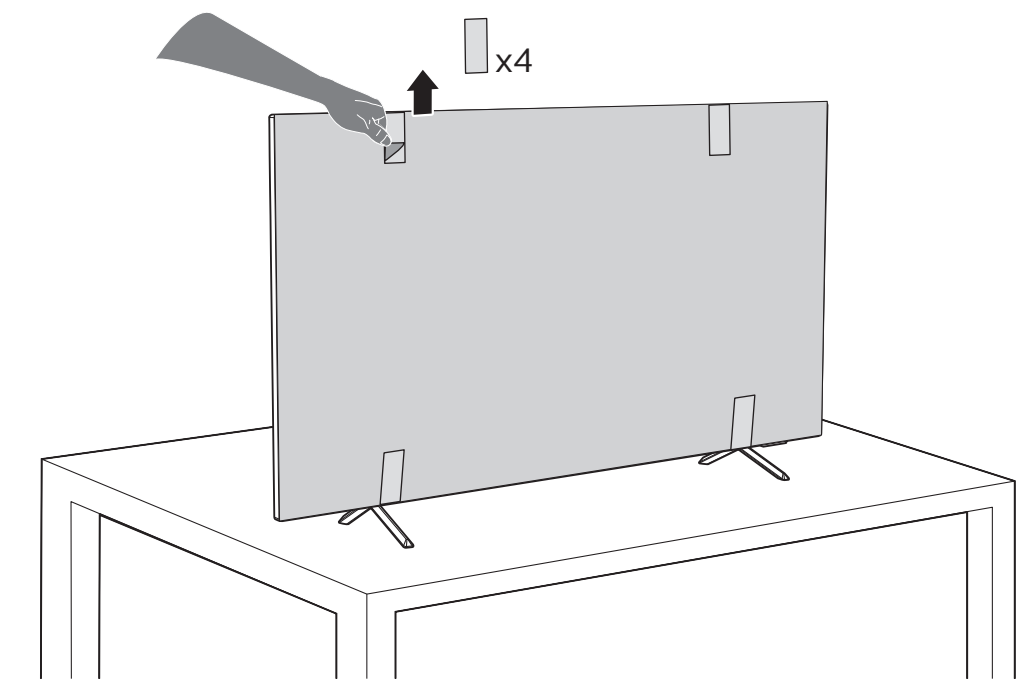
6



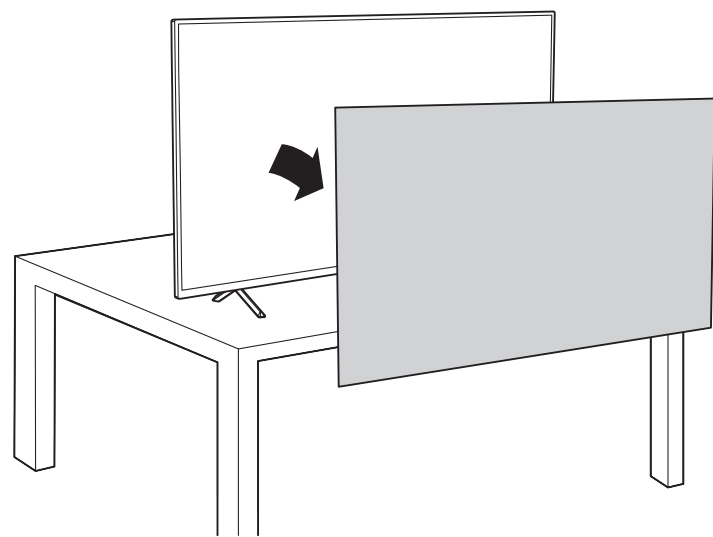
7



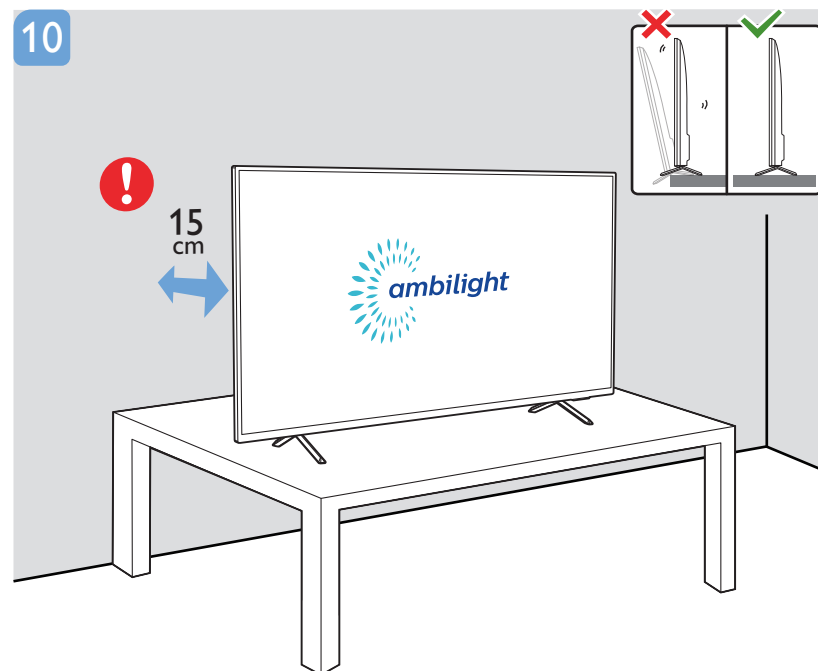
8



9



10



English Read the safety instructions.

Bahasa Malaysia Baca arahan Keselamatan.

Bahasa Indonesia Baca petunjuk keselamatan.

Deutsch Lesen Sie die Sicherheitshinweise.

Français Lisez les consignes de sécurité.

Português Leia as instruções de segurança.

ภาษาไทย โปรดอ่านคำแนะนำด้านความปลอดภัย

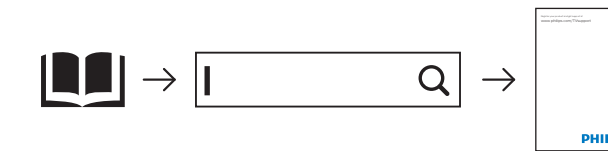
Tiếng Việt Hãy đọc chỉ dẫn an toàn.

简体中文 请阅读安全说明。

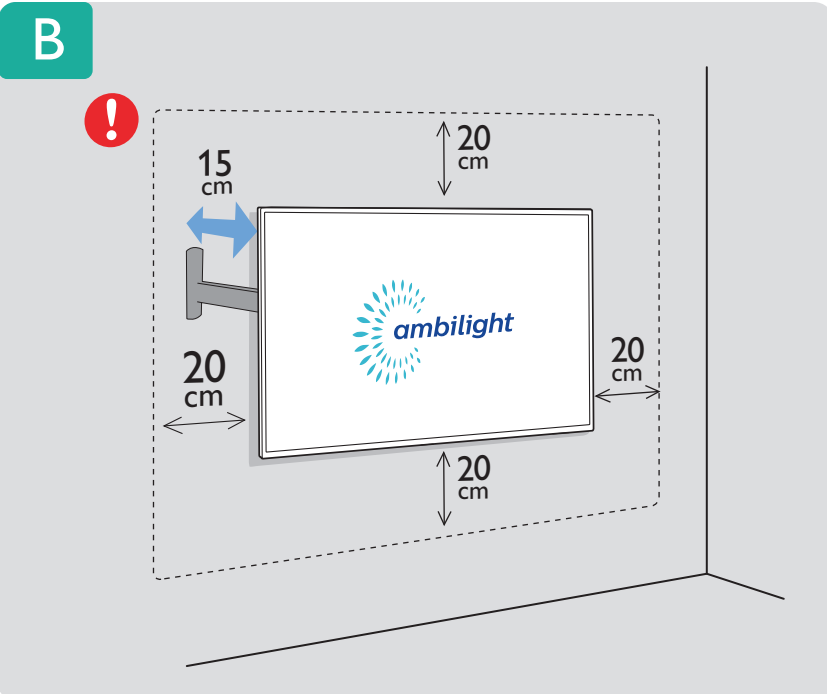
العربية قراءة تعليمات السلامة.



Register your product and get support at www.philips.com/TVsupport

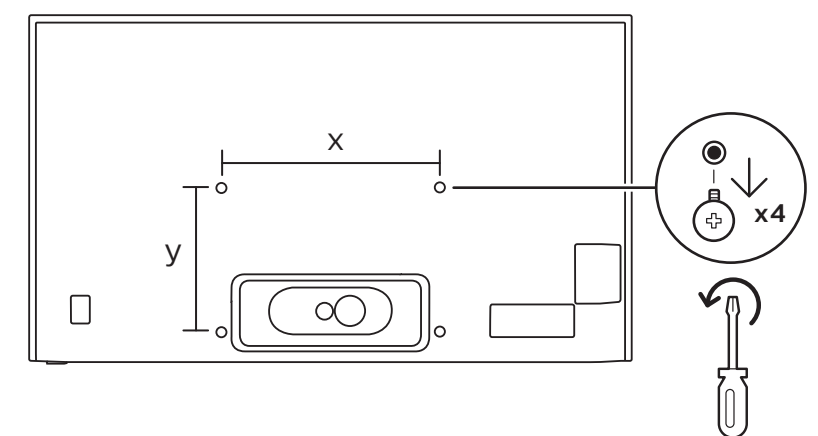


B

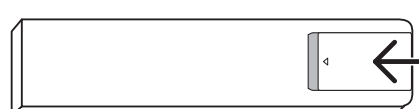


VESA (x, y)

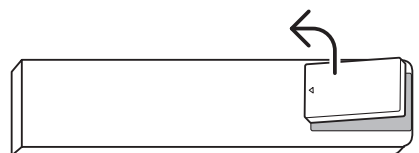
75" 600x400mm M8 189 cm



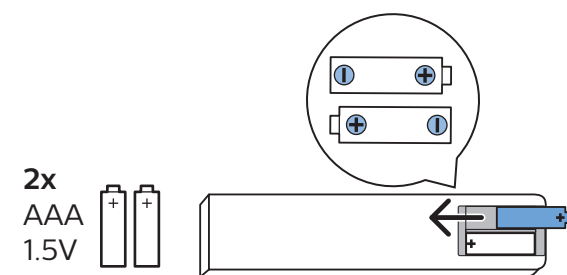
1



2



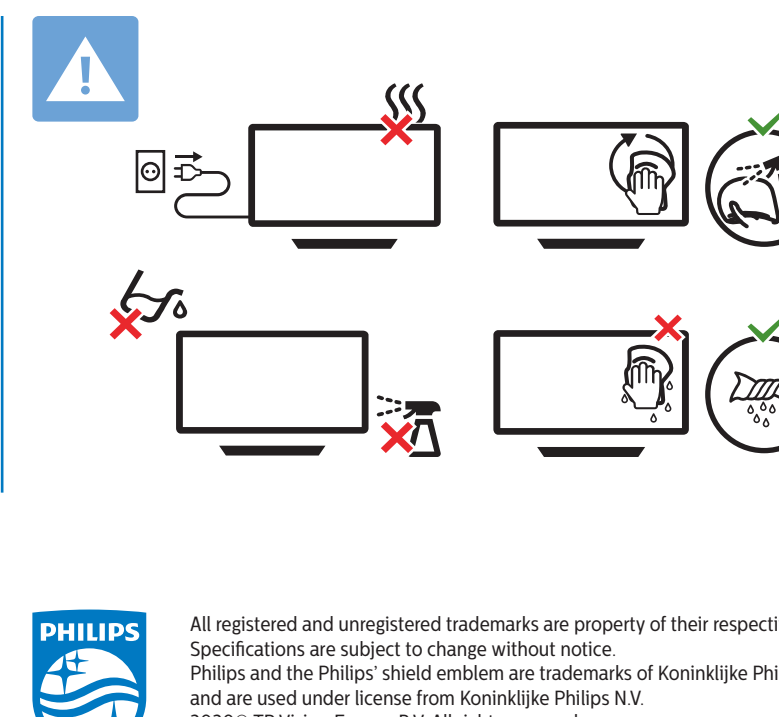
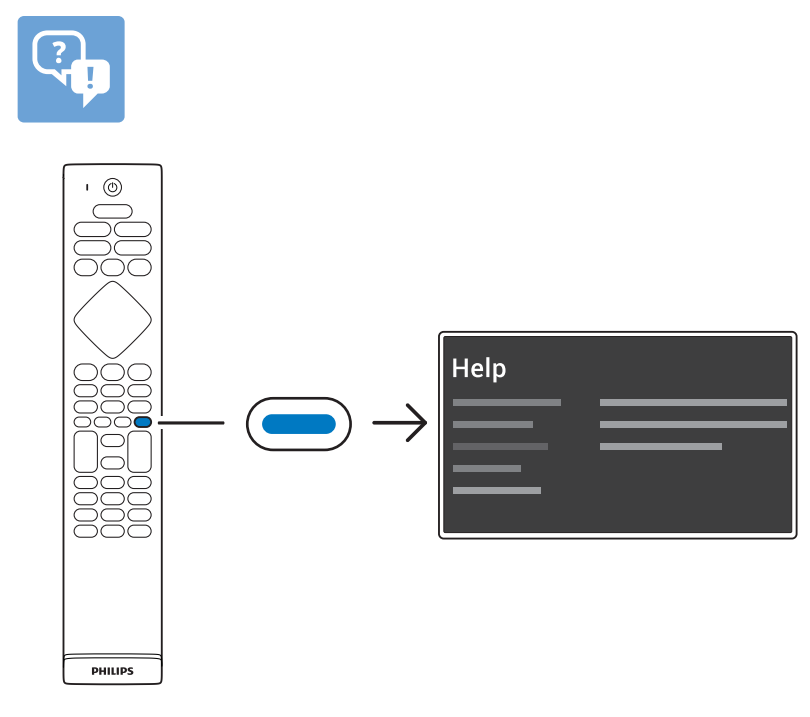
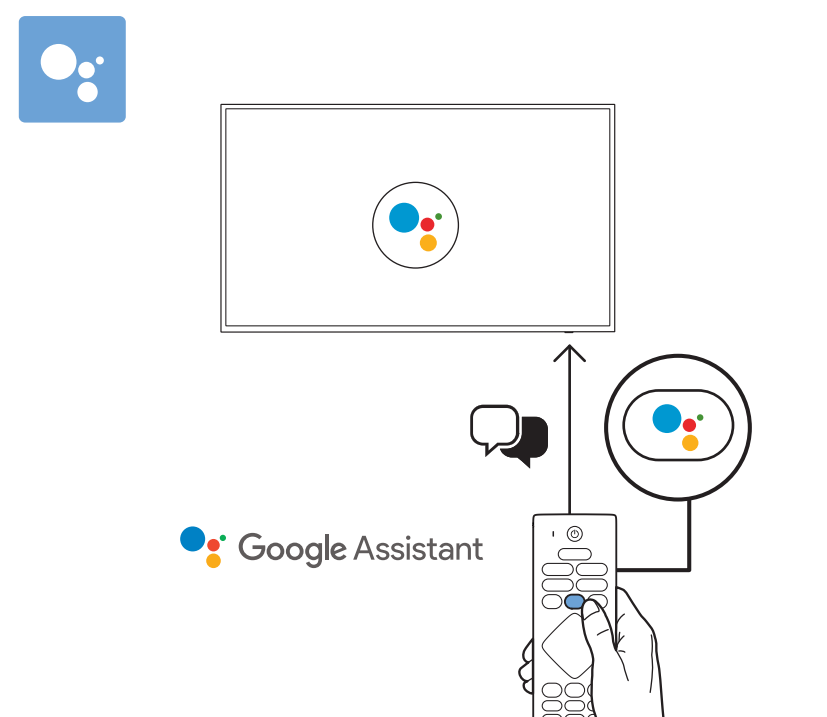
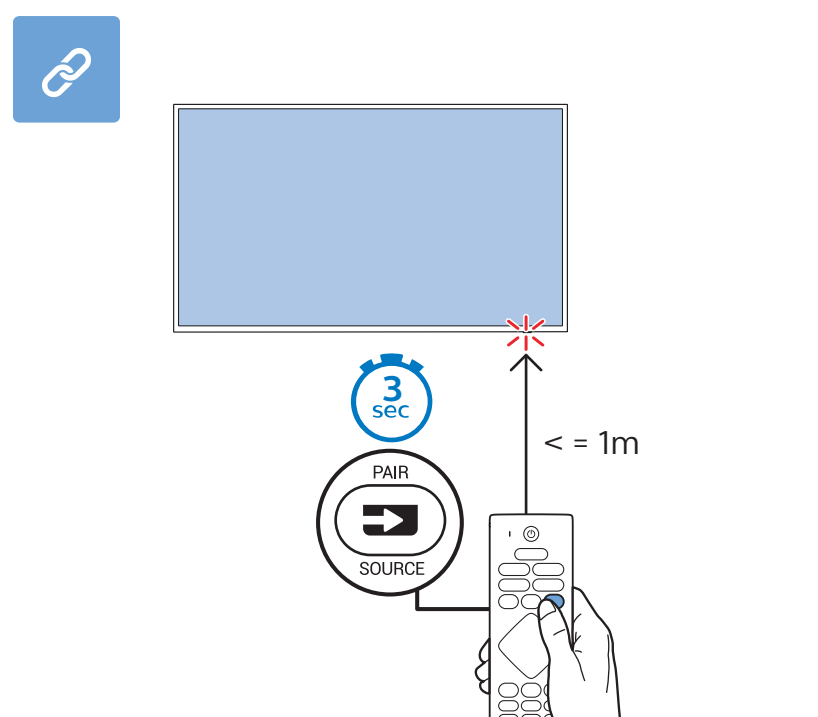
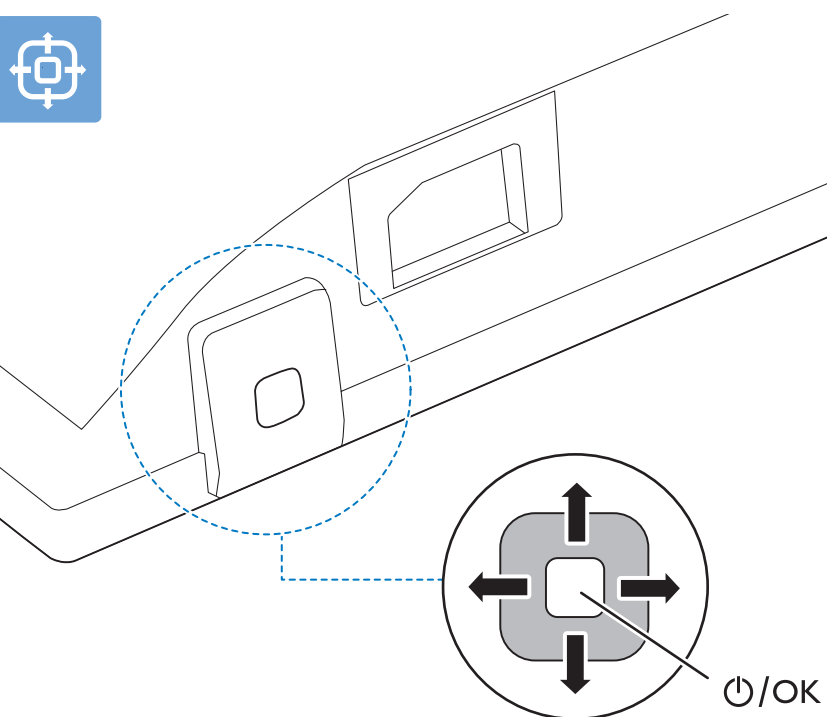
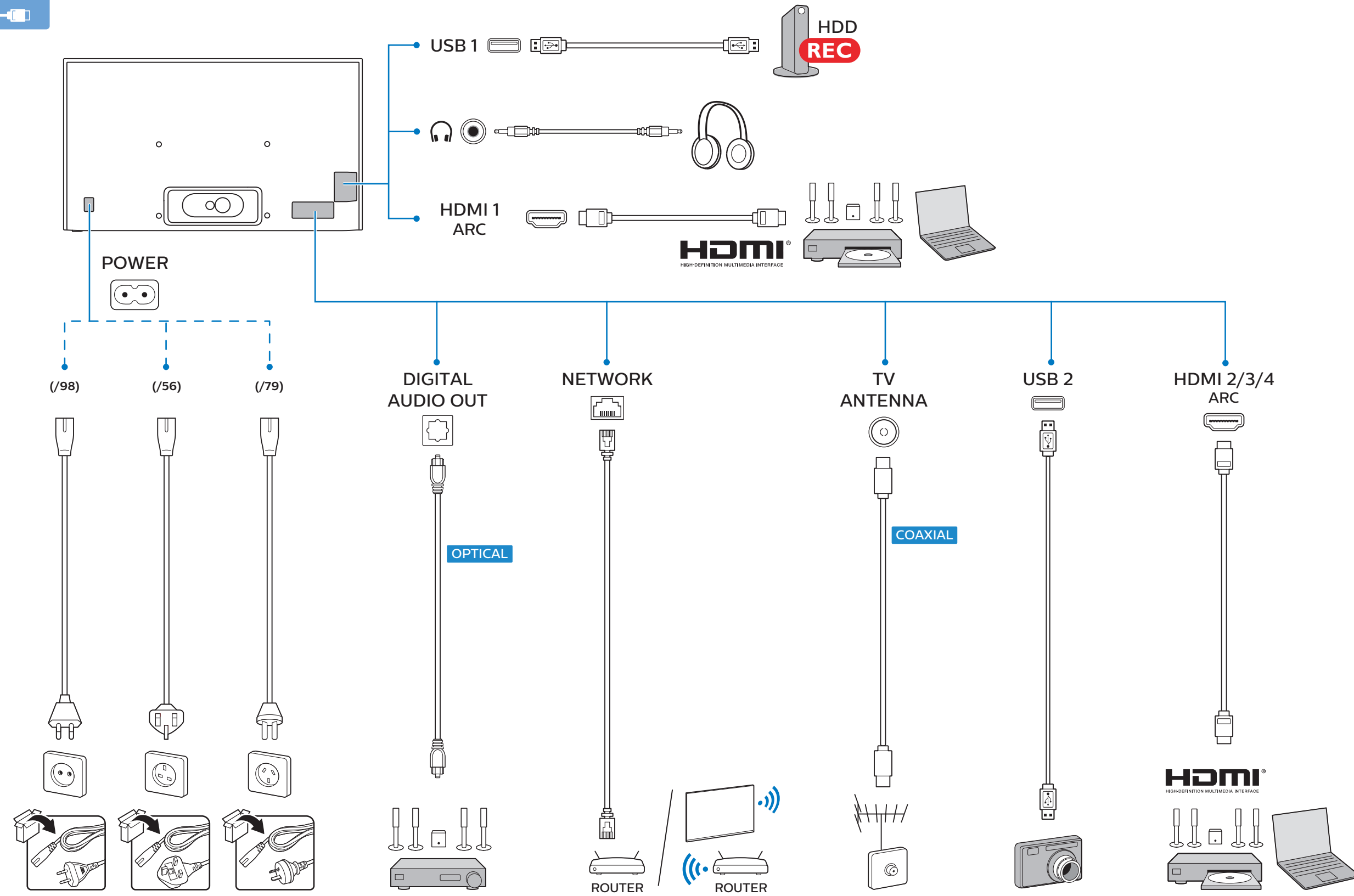
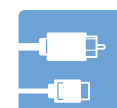
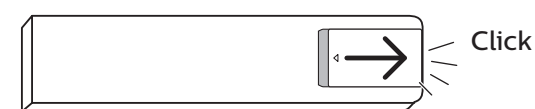
3



4



5



All registered and unregistered trademarks are property of their respective owners. Specifications are subject to change without notice. Philips and the Philips' shield emblem are trademarks of Koninklijke Philips N.V. and are used under license from Koninklijke Philips N.V. 2020 © TP Vision Europe B.V. All rights reserved. philips.com