

Register your product and get support at ...  
[www.philips.com/welcome](http://www.philips.com/welcome)

# Quick Start

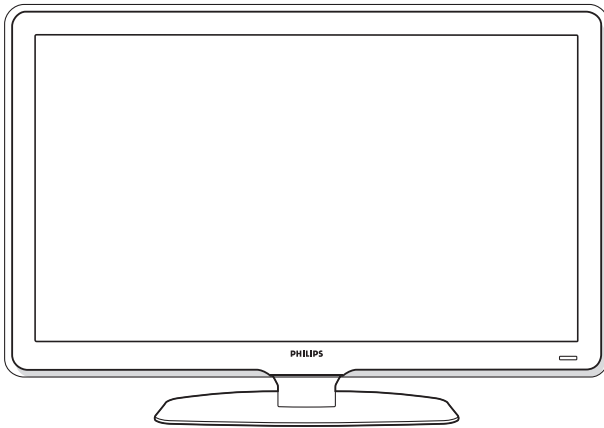
**EN** Installation

---

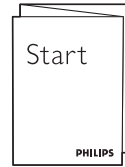


**PHILIPS**

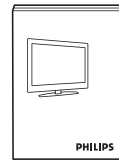
# What's in the box



Television and stand



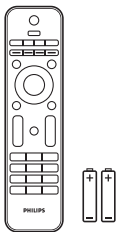
Start guide



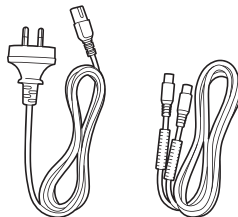
User manual



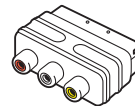
Warranty information



Remote Control

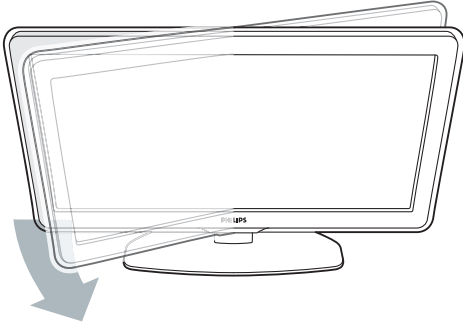


Power cord and antenna cable

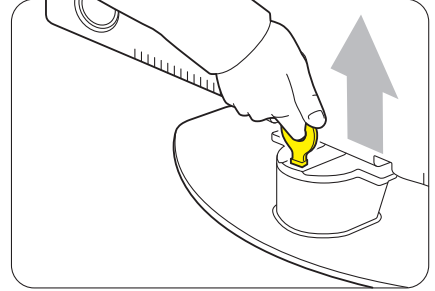


Scart - Cinch adaptor

# 1 Swivel stand



Remove the yellow brake at the back of the stand to allow the TV to swivel.

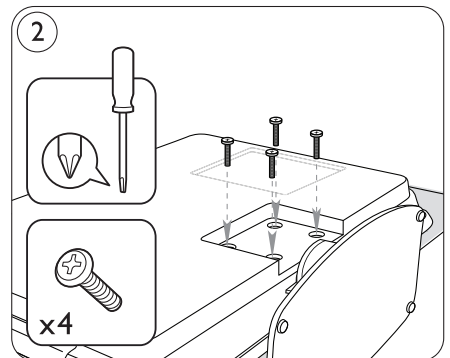
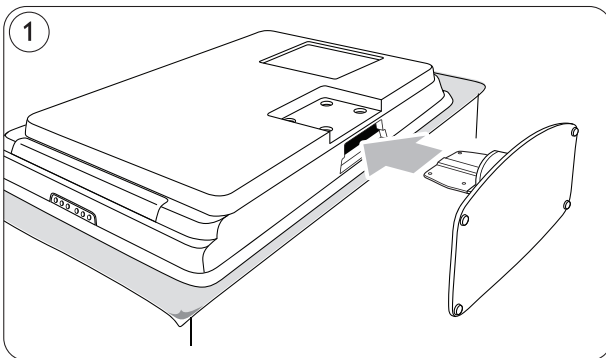


## Mount the TV stand (for 32" TV's only)

Mount the 32" TV stand as shown below.

Lay the TV down on a level surface covered with a soft cloth.

Fix the 4 screws tightly.

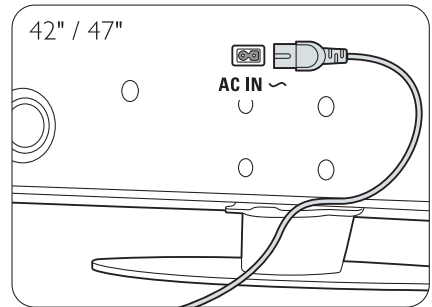
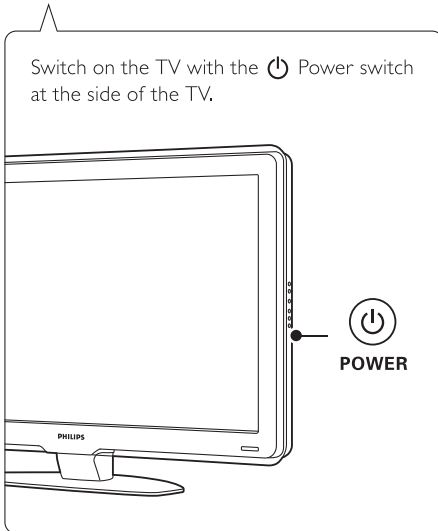
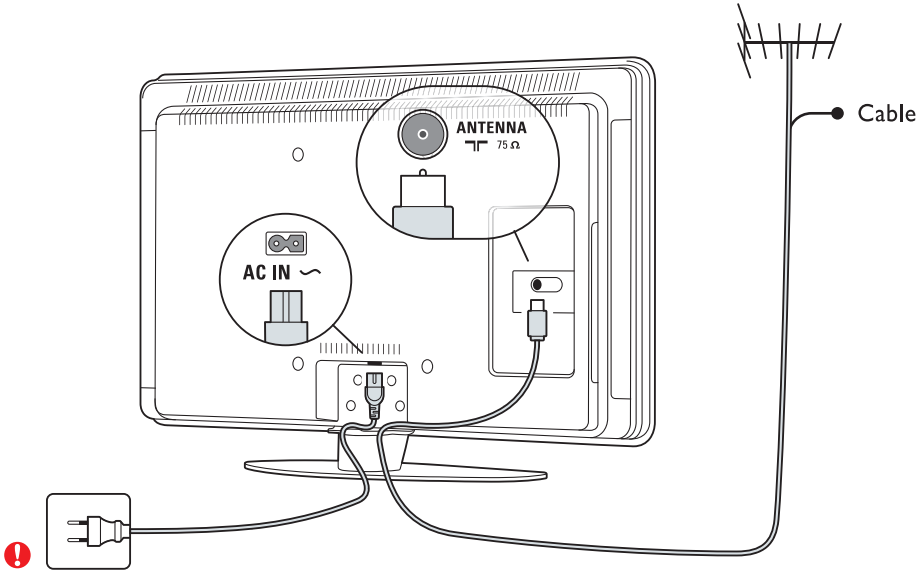


## Wall mounting

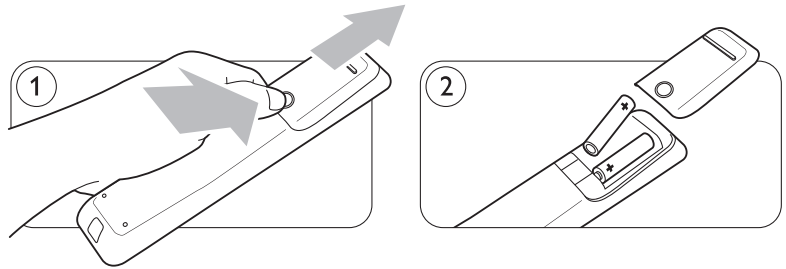
Please find the wall mounting and / or VESA compliant mounting instructions in the User manual.

VESA, FDMI and the VESA Mounting Compliant logo are trademarks of the Video Electronics Standards Association.

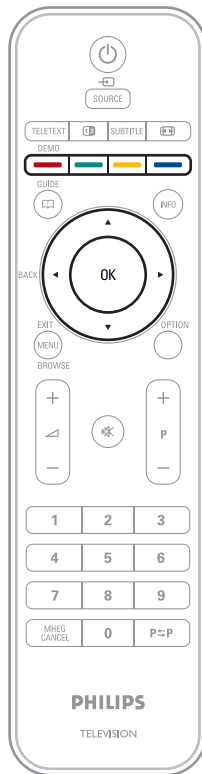
## 2 Power & antenna



# 3 Remote control

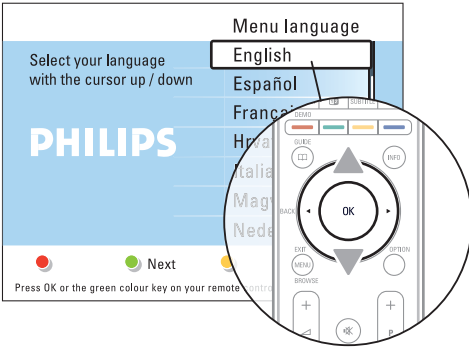


**Navigation and OK key**  
Press ▲, ▼ or ◀, ▶ to navigate the TV menu. Press the **OK** key to confirm your choice.

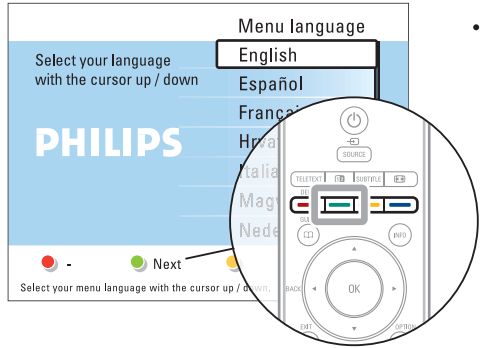


**Colour coded keys**  
Press a colour key to select a task or choice shown on screen.

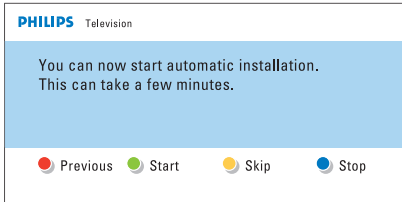
# 4 Installation



Press ▼ or ▲ to select your language.



Press the green key to proceed the installation.  
**Tip** – Press the red key repeatedly to return to a previous menu in case you made a mistake.



...



The automatic installation will search and store all available TV channels.  
**Tip** – If you watch all TV channels with a cable box or digital receiver, you can skip this automatic installation.

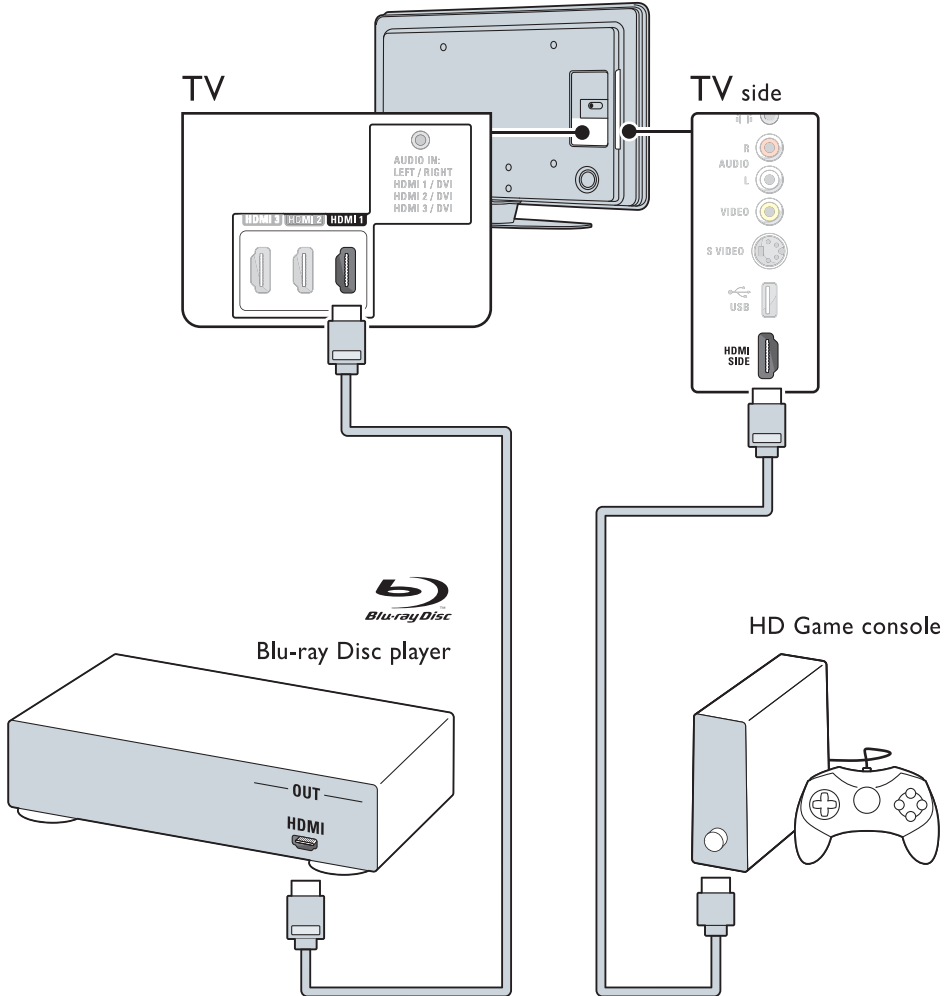
You finished the installation successfully.  
Press the red key to watch TV.  
If you want to change the order of the TV channels, see section **Reorder the channels** of the user manual.

# Blu-ray Disc player, HD game console



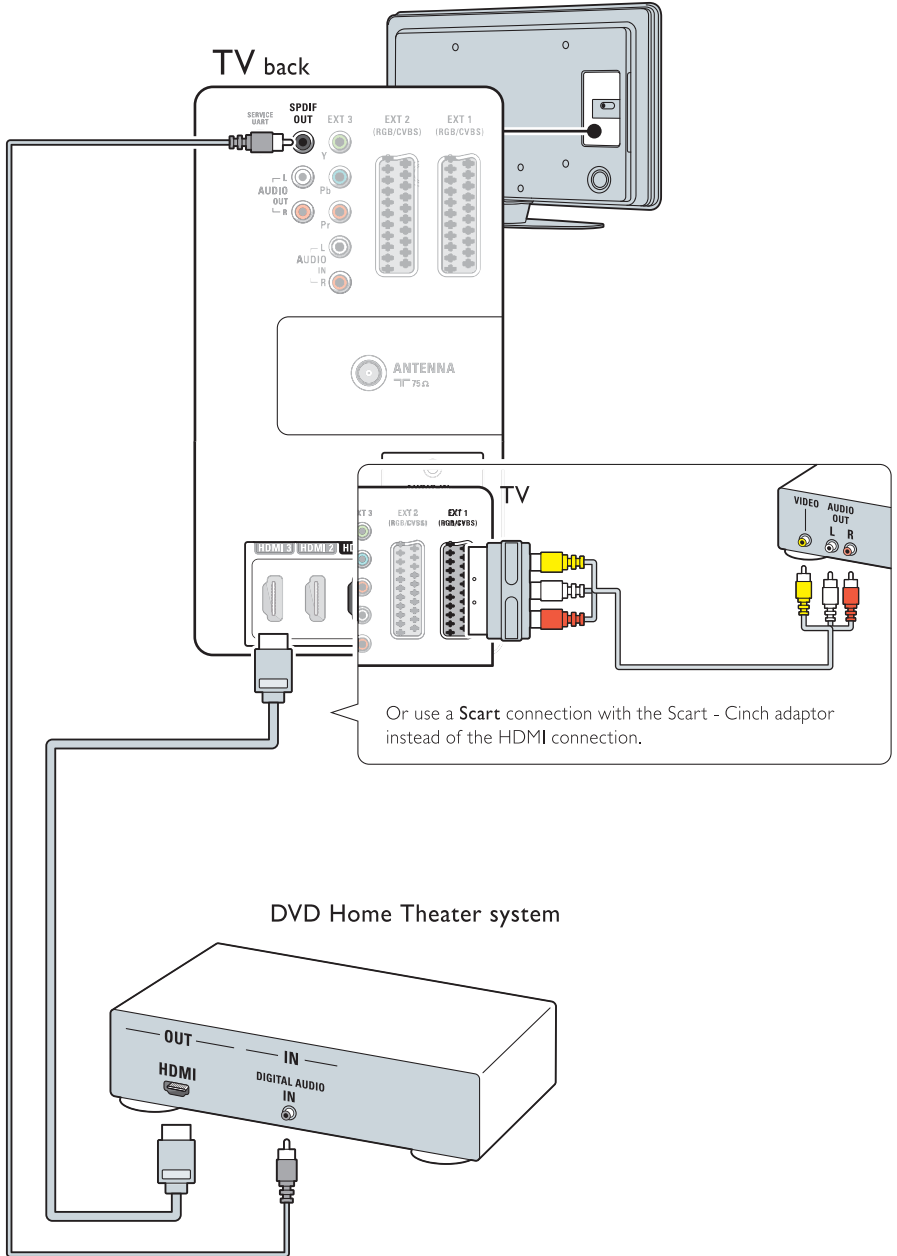
## Caution

Disconnect the TV mains power before you connect your devices.

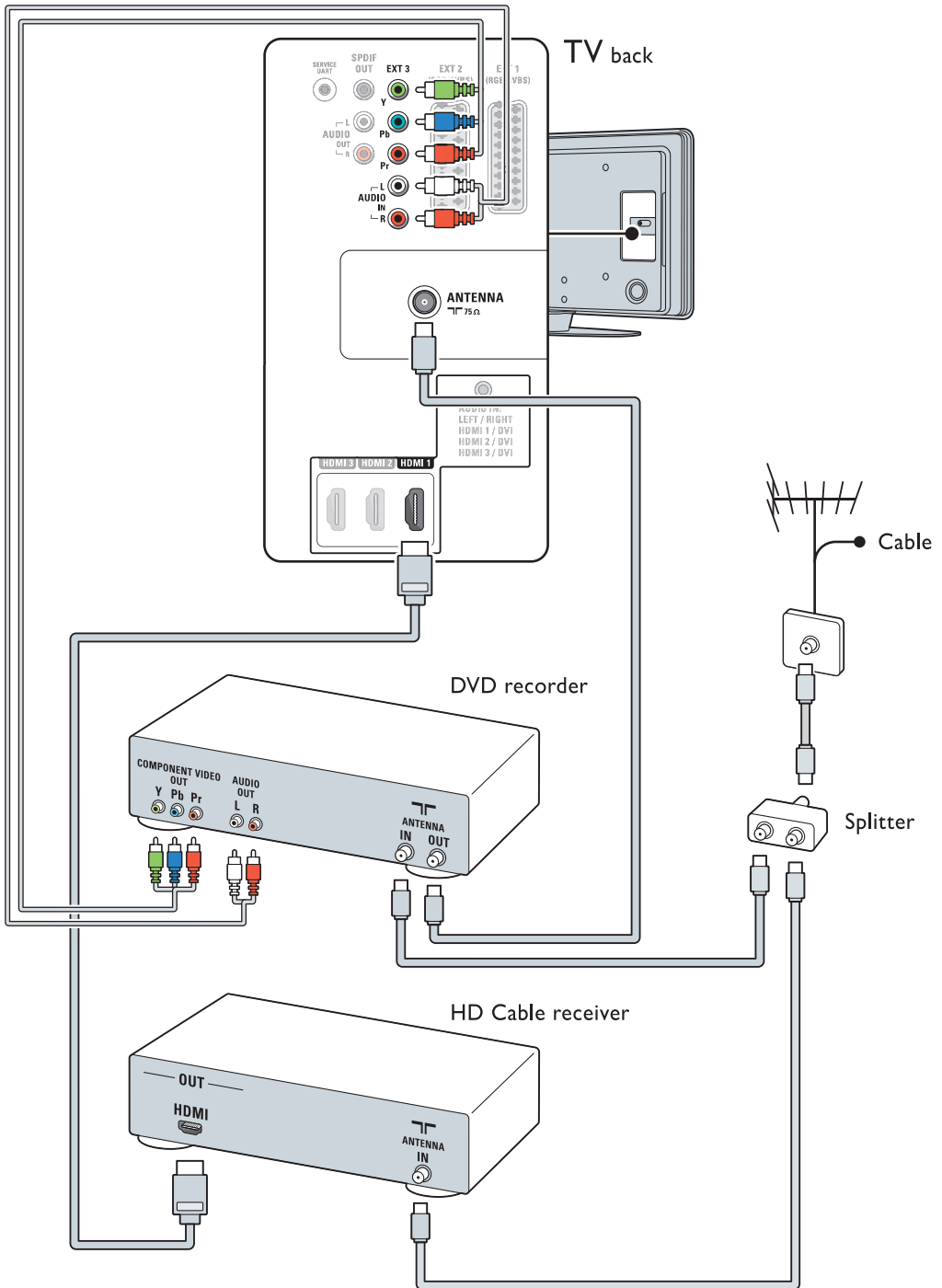




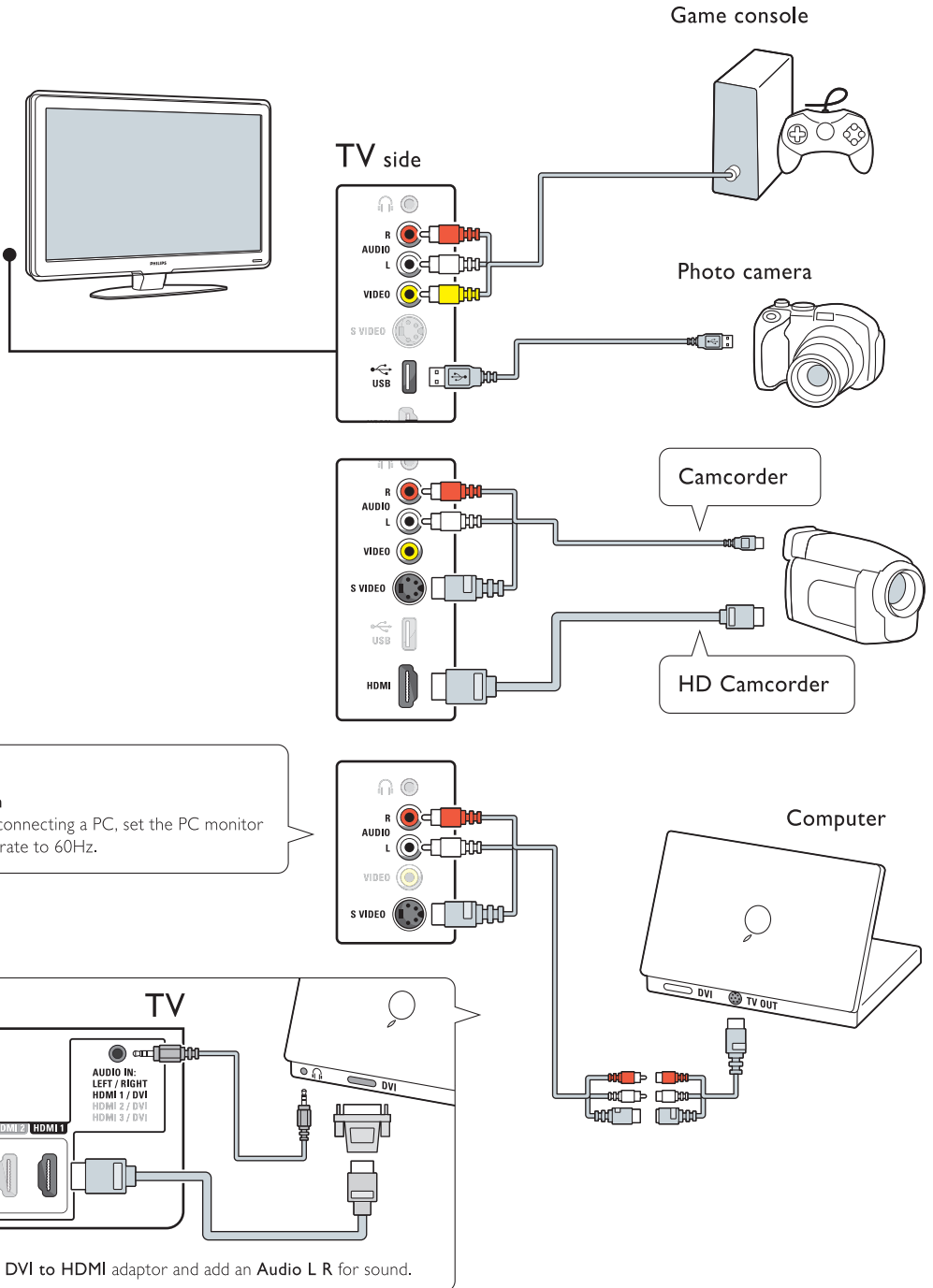
# DVD Home Theatre System



# DVD recorder and HD cable receiver



# Photo camera, camcorder, game, PC, ...



---

# Need help?

## User manual

See the User manual that came with your TV.

## Online help

[www.philips.com/support](http://www.philips.com/support)



## Consumer Care

Australia

1300 363 391

Please, have the Model and Serial Number ready before you call.

You can find these numbers on the packaging label or on the back of your TV.



Specifications are subject to change without notice  
Trademarks are the property of Koninklijke Philips Electronics N.V.  
or their respective owners  
2008 © Koninklijke Philips Electronics N.V. All rights reserved.

[www.philips.com](http://www.philips.com)



Printed in Belgium

3104 315 7556.1