

Register your products and get support at
www.philips.com/welcome

4000 Series
32PHT4012/05

Quick start guide

PHILIPS

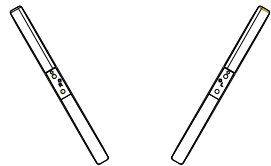
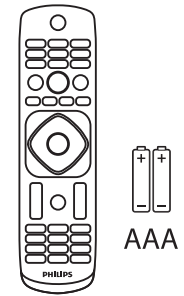
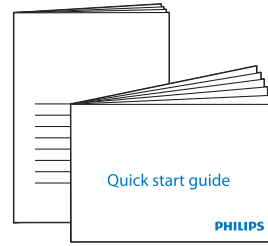
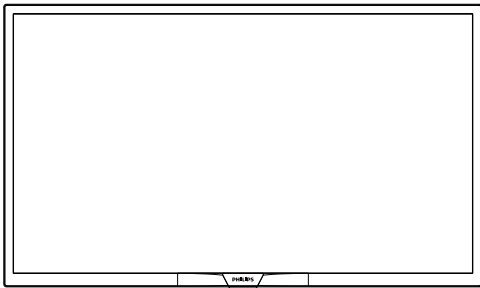
■ C:100 M:44 Y:0 K:0



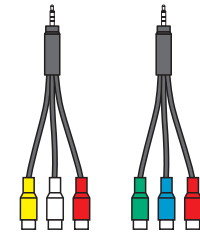
Before using your product, read all accompanying safety information.
(The relevant parameters of instructions are variable, without prior notice, if there is any discrepancy, please in accordance with actual object.)



What's in the box



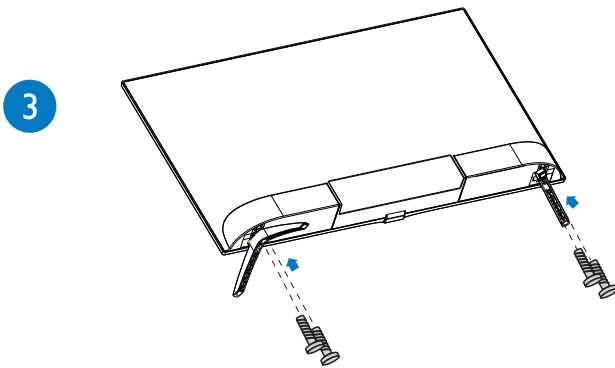
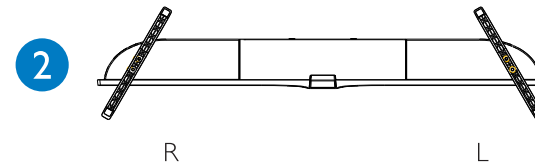
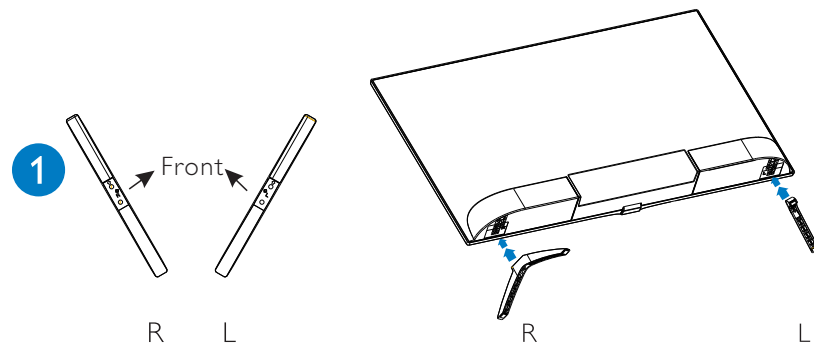
(4 pcs)



1

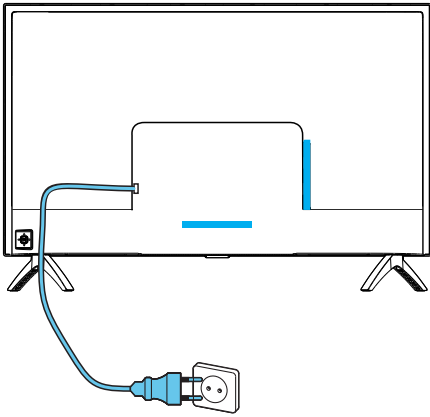


Mount the stand



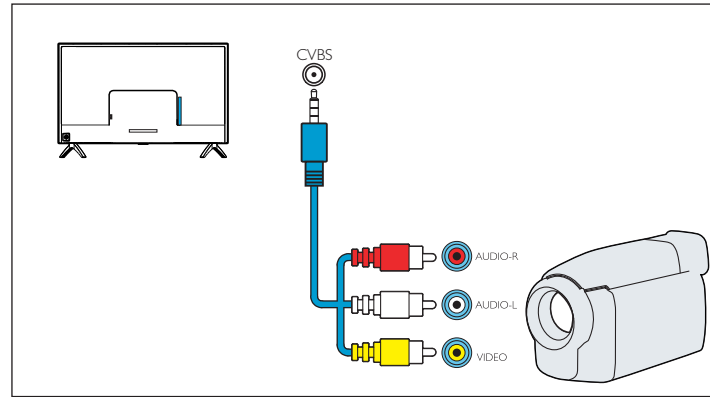
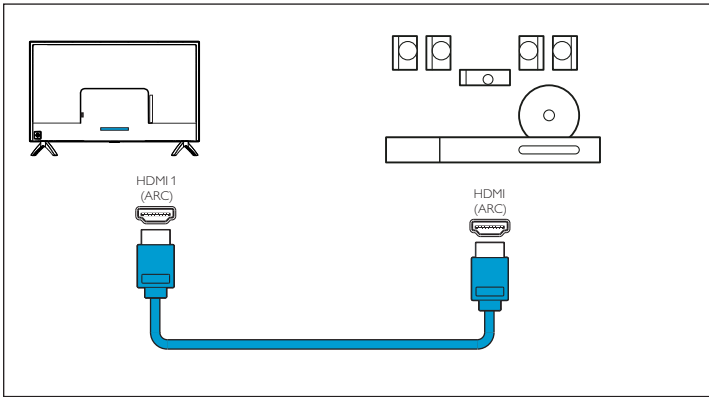
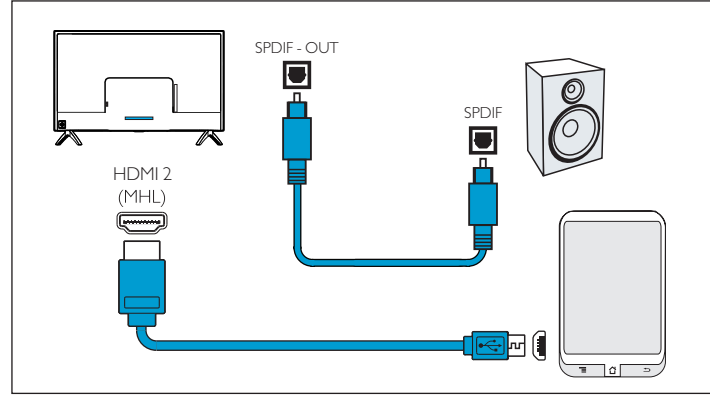
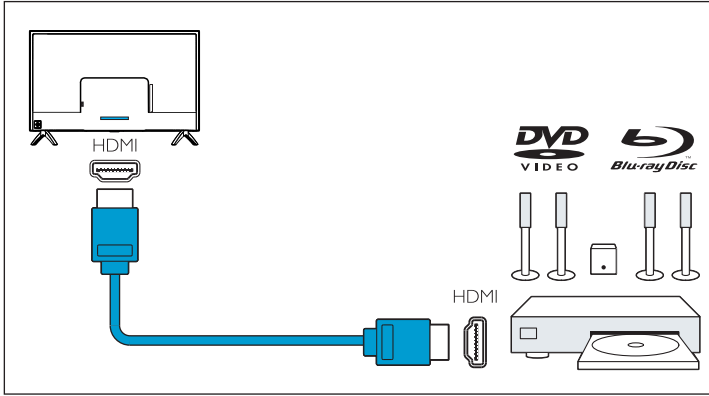
2

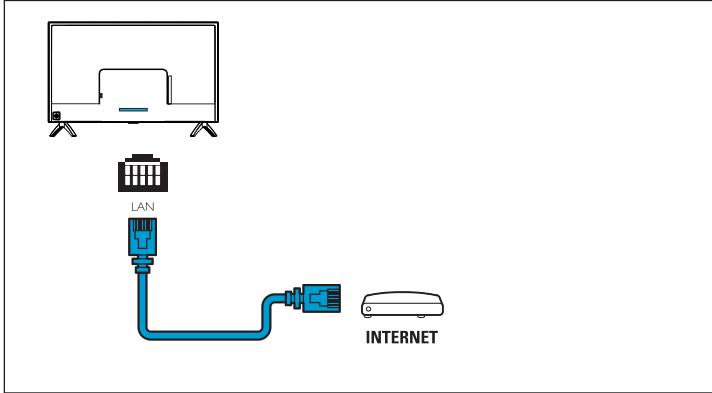
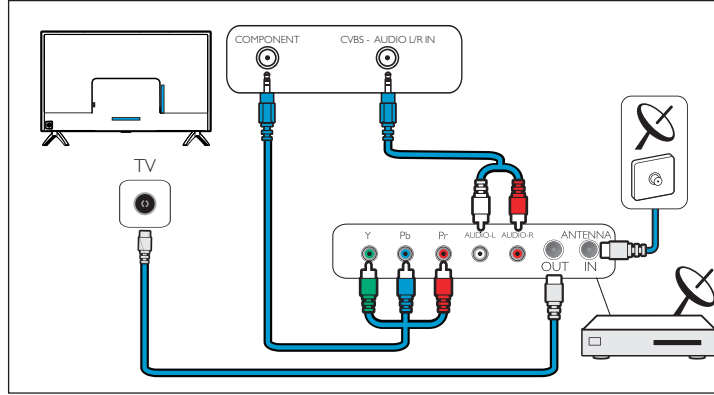
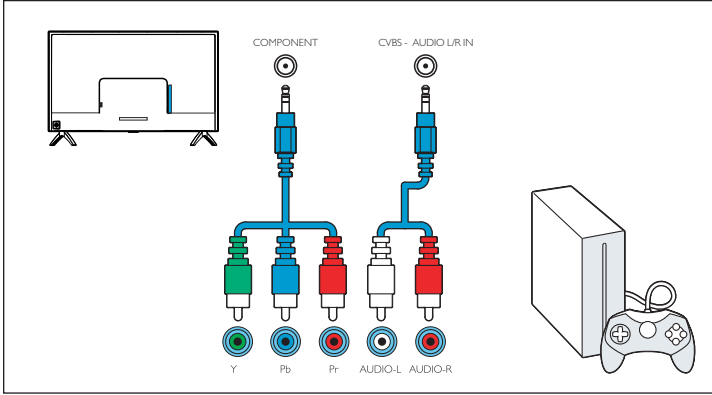
Connect



HEADPHONE LAN SPDIF - OUT HDMI 1 (ARC) HDMI 2 (MHL) TV

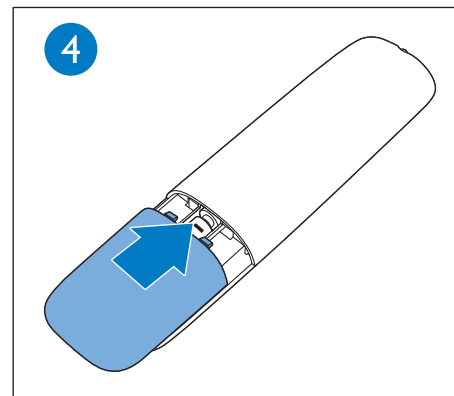
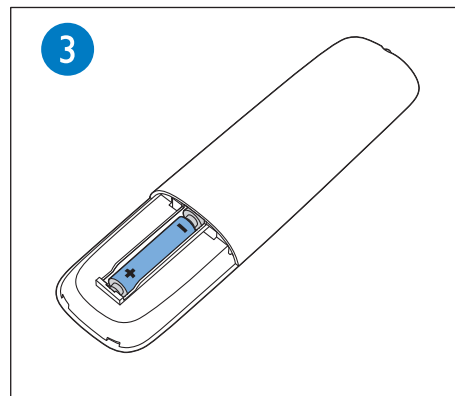
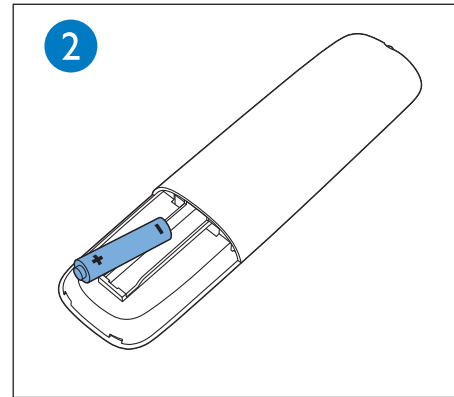
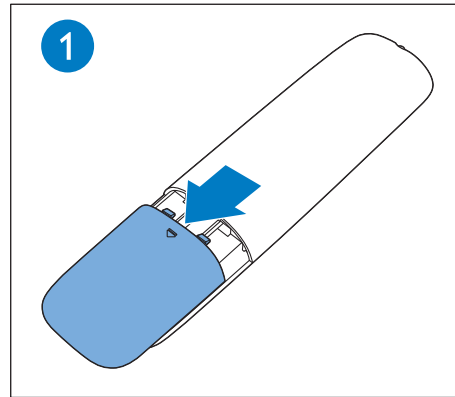
CI COMPONENT CVBS - AUDIO L/R IN USB





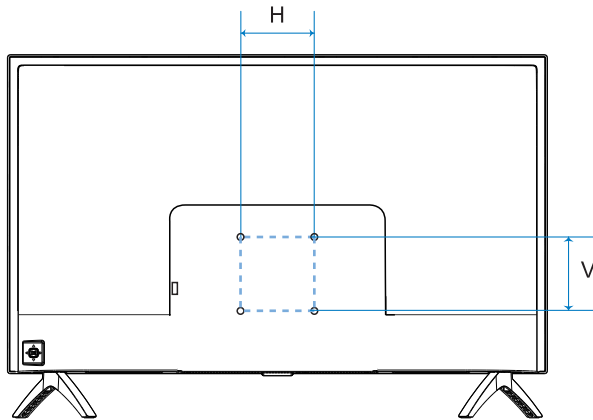
3

Insert batteries





To wall mount, purchase a suitable bracket.



a: Depth of the top VESA screw hole

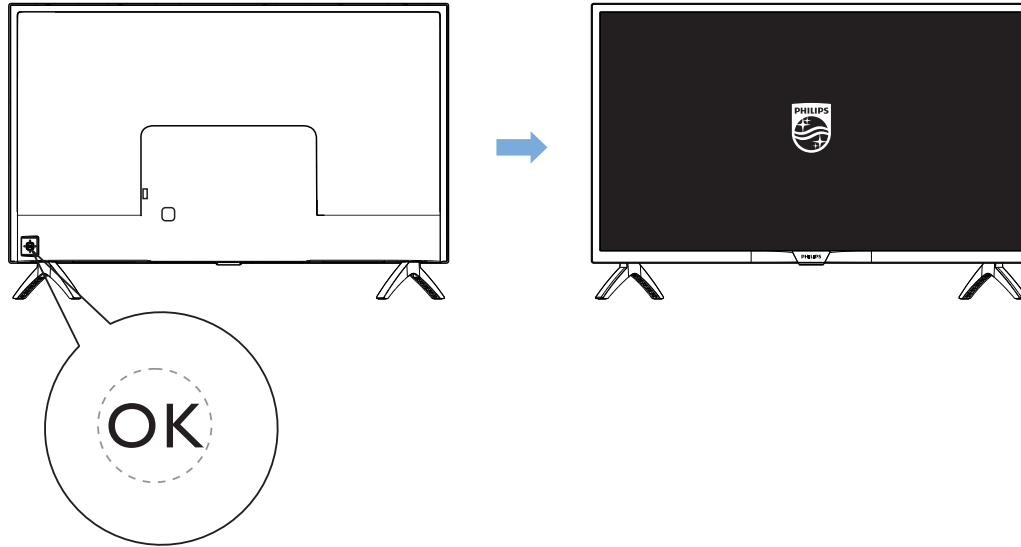
b: Depth of the bottom VESA screw hole

Note: The screw length depends on wall bracket.

TV	H	V
80 cm / 32"	100 mm	100 mm

4

Press the "OK" key on the backcover of the TV or on the remote control to turn on the TV.





Please refer to the User's Manual and the Philips support website for more operating instructions.



7314320K3B202FLP11



All registered and unregistered trademarks are the property of their respective owners. Specifications are subject to change without notice.

Philips and the Philips' shield emblem are registered trademarks of Koninklijke Philips N.V. and are used under license from Koninklijke Philips N.V.

2017© TP Vision Netherlands B.V. All rights reserved.

