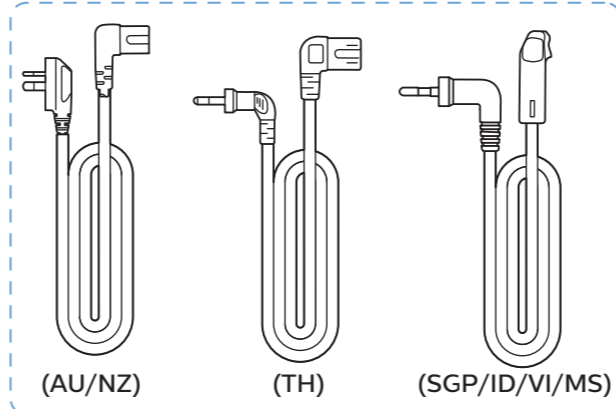
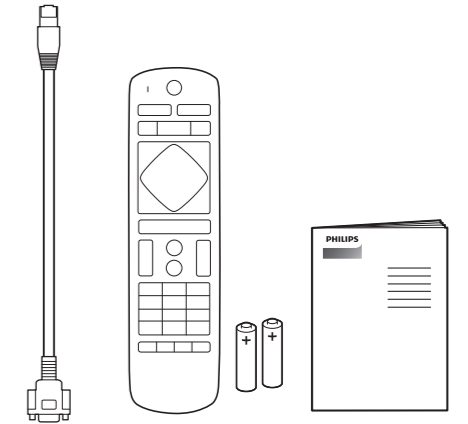
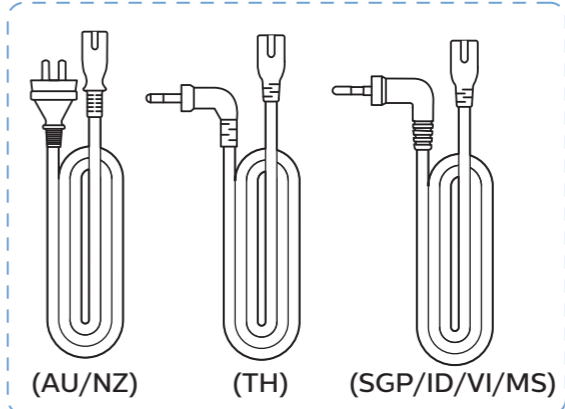


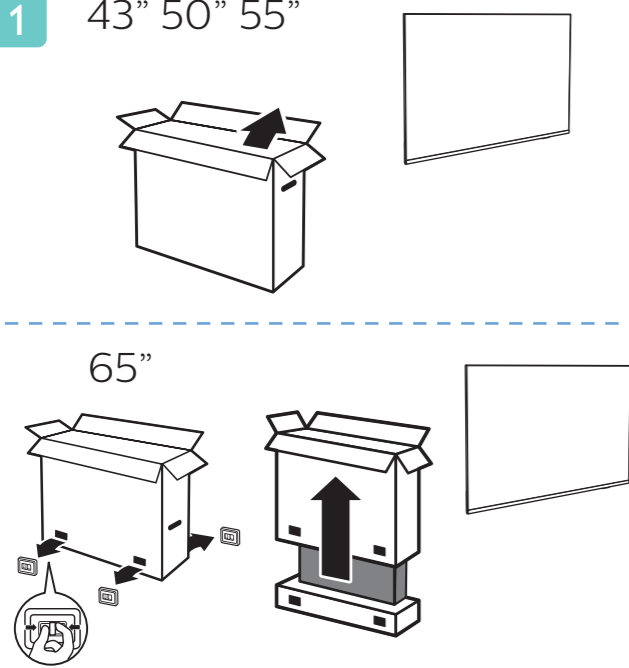
50" / 55"



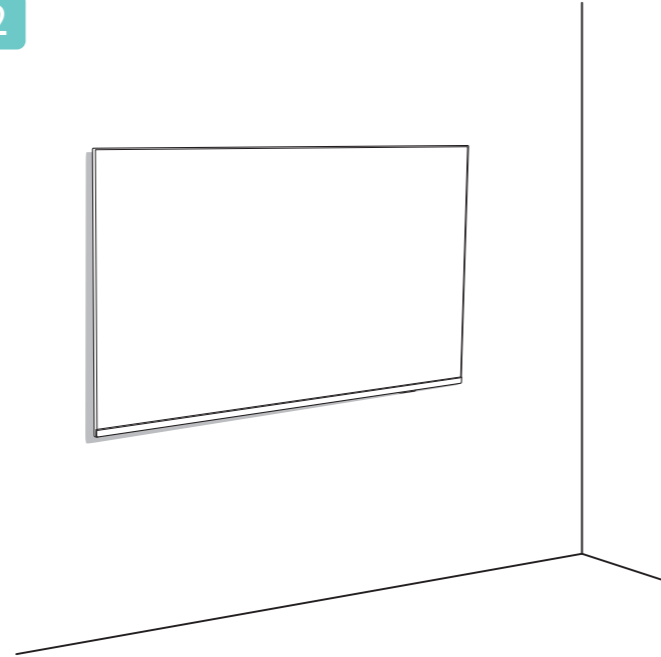
43" / 65" / 75"



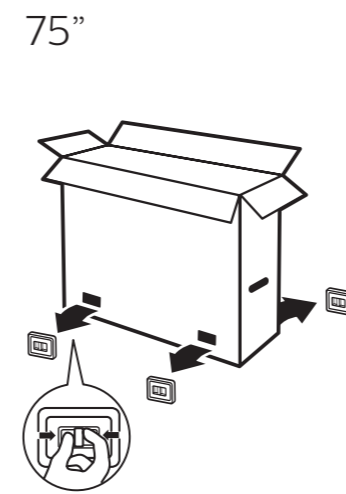
1 43" 50" 55"



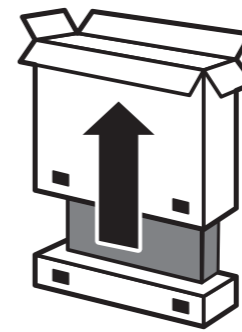
2



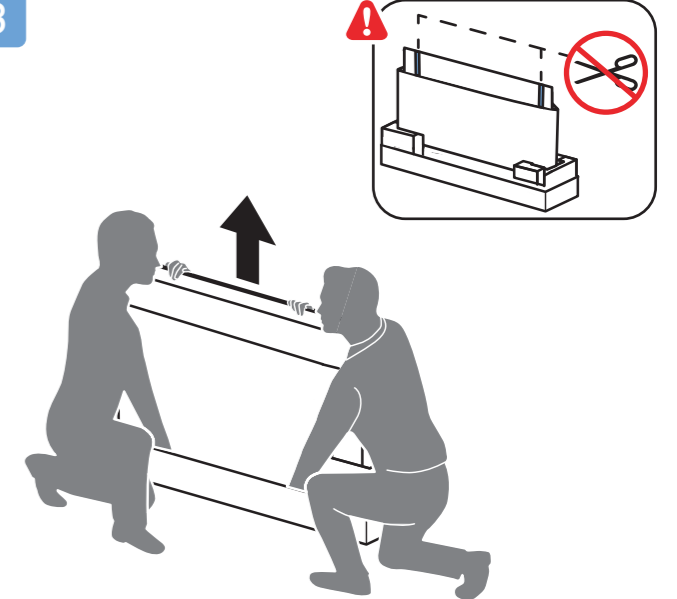
1



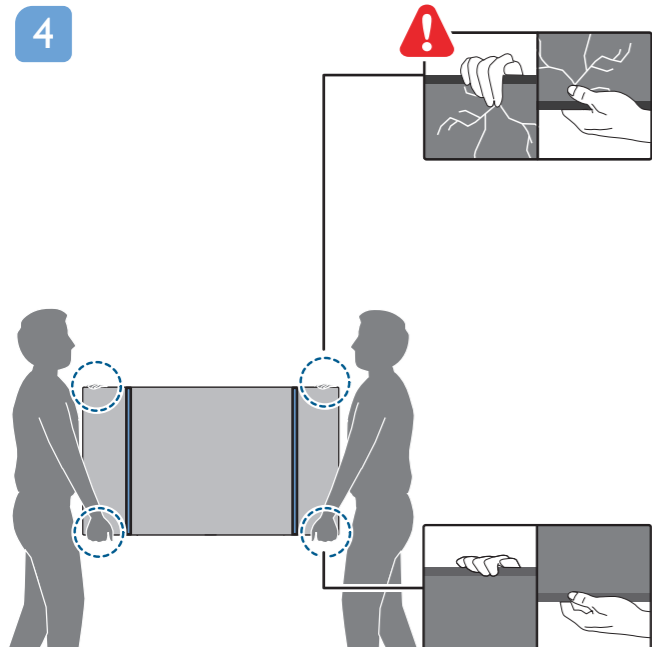
2



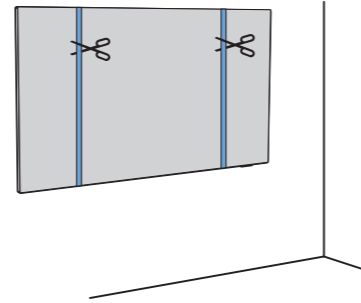
3



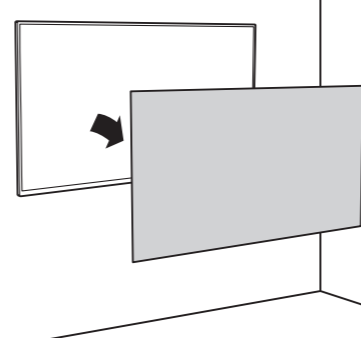
4



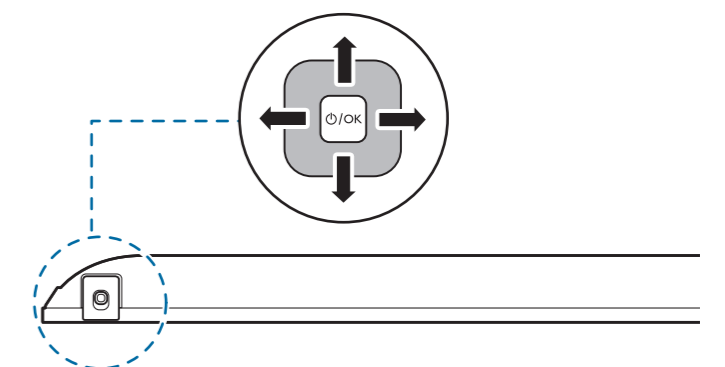
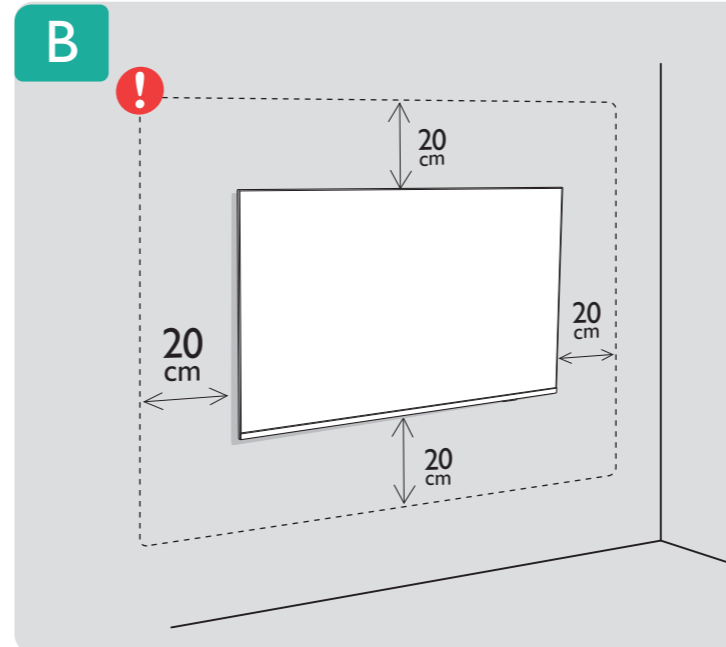
5



6

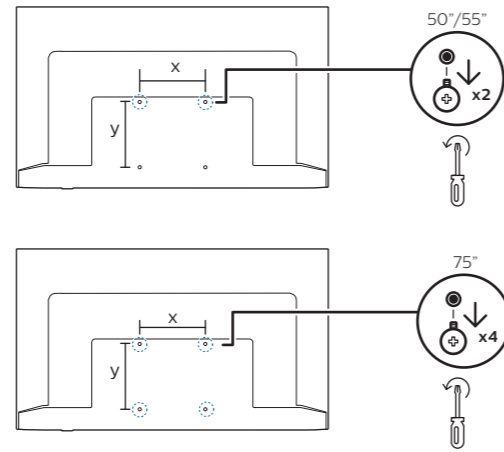


B



VESA (x, y)

43" 100x200mm M6 (L:6 mm-8 mm)	108 cm
50" 200x200mm M6 (L:18 mm-22 mm)	126 cm
55" 200x200mm M6 (L:14 mm-16 mm)	139 cm
65" 300x300mm M6 (L: 18 mm-22 mm)	164 cm
75" 300 x 300mm M8 (L: 10 mm-25 mm)	189 cm



English Read the safety instructions.

Bahasa Malaysia Baca arahan Keselamatan.

Bahasa Indonesia Baca petunjuk keselamatan.

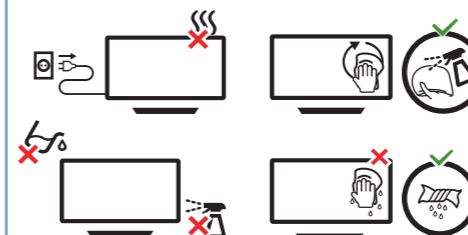
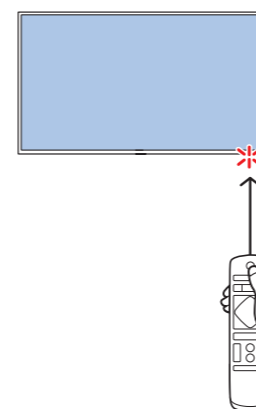
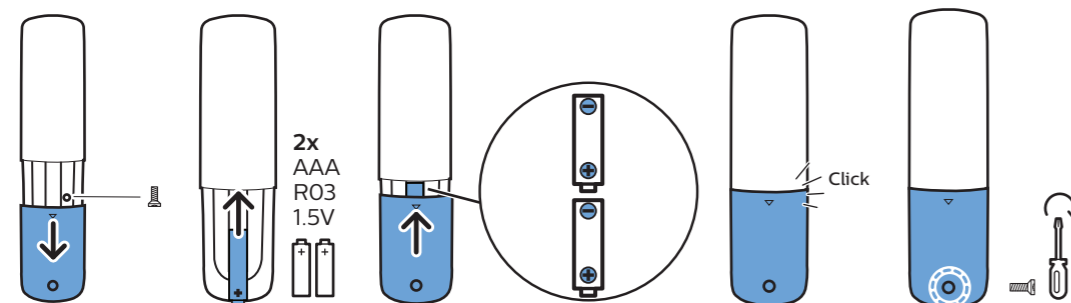
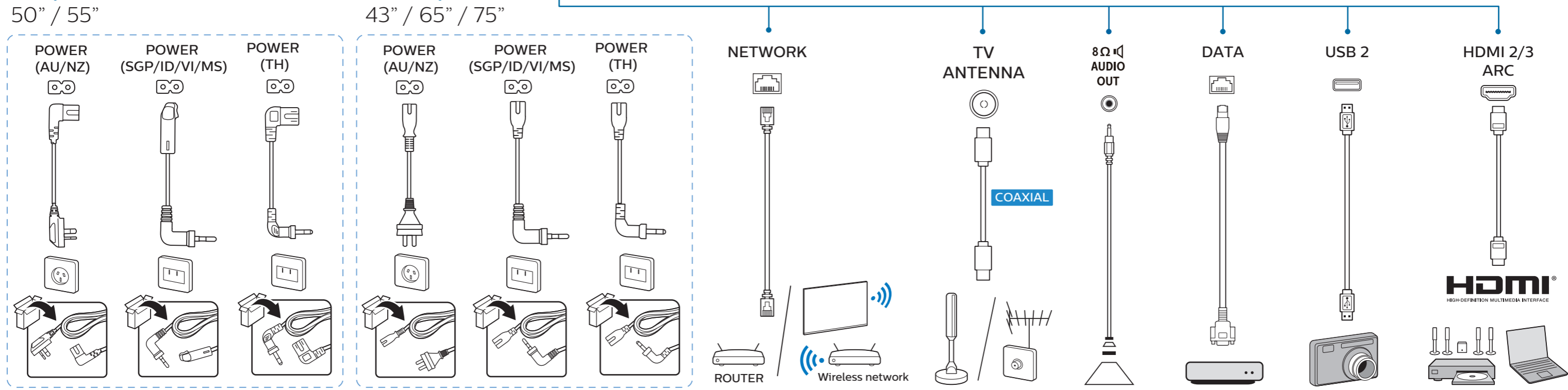
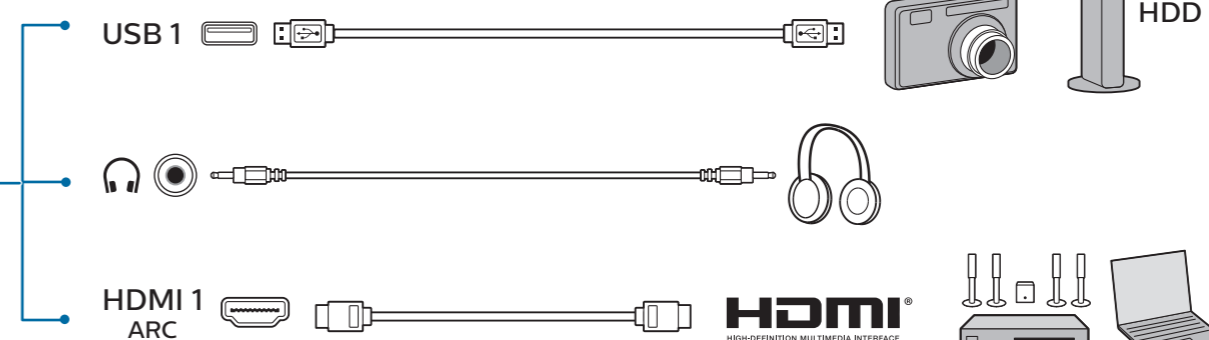
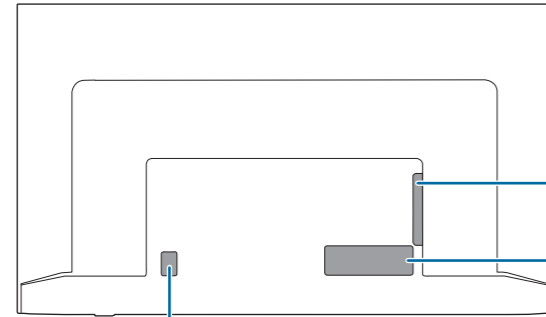
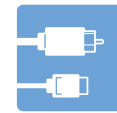
Français Lisez les consignes de sécurité.

ภาษาไทย โปรดอ่านคำแนะนำด้านความปลอดภัย

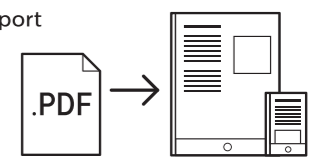
Tiếng Việt Hãy đọc chỉ dẫn an toàn.

简体中文 请阅读安全说明。

繁體中文 請閱讀安全說明。



www.philips.com/support
2214 Series
User Manual



All registered and unregistered trademarks are property of their respective owners. Specifications are subject to change without notice. Philips and the Philips shield emblem are trademarks of Koninklijke Philips N.V. and are used under license from Koninklijke Philips N.V. This product has been manufactured by and is sold under the responsibility of Top Victory Investments Ltd. (or one of its related affiliates), and Top Victory Investments Ltd. (or one of its related affiliates), is the warrantor in relation to this product. 2021© TOP Victory Investments Ltd. All rights reserved.