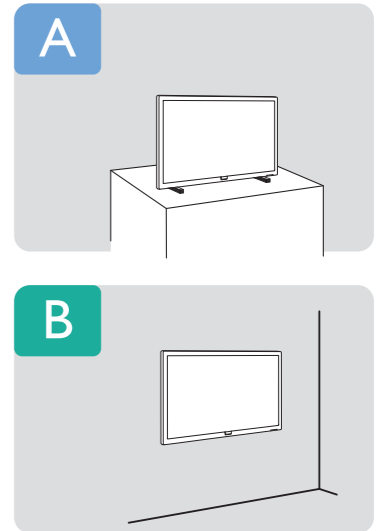
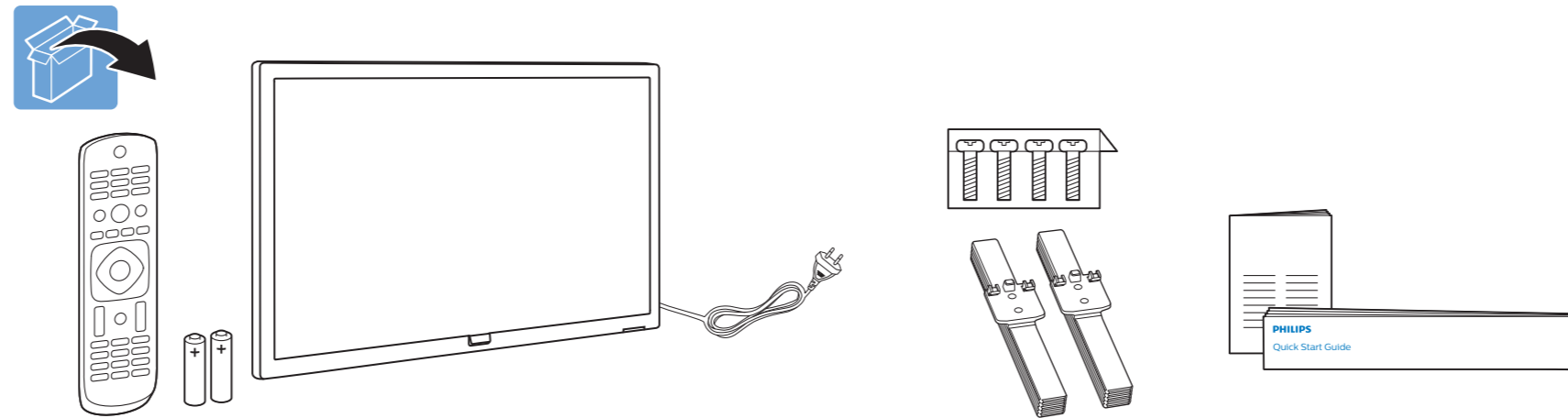
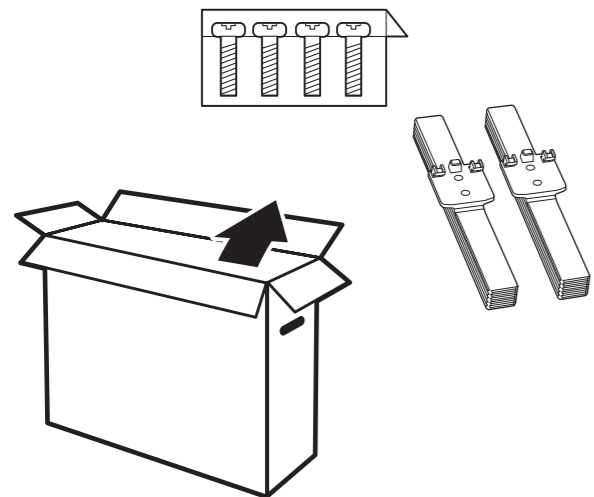


5505 series
5545 series

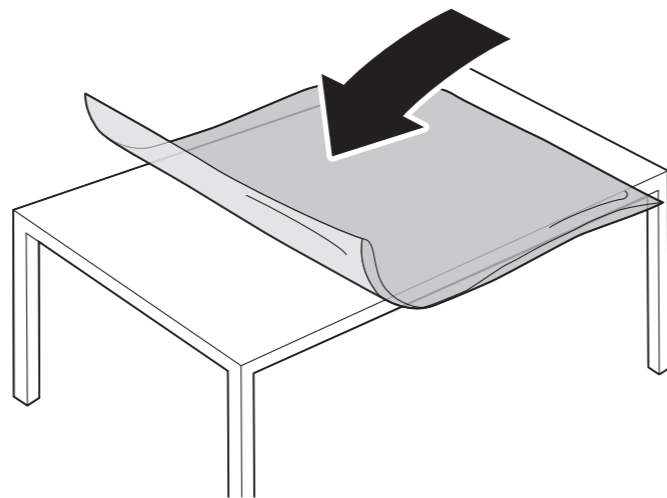
Quick Start Guide



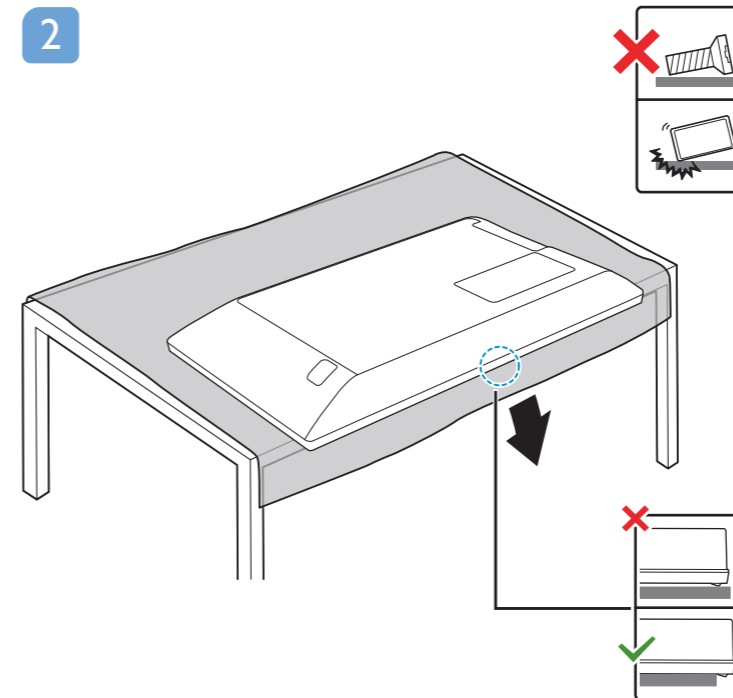
A



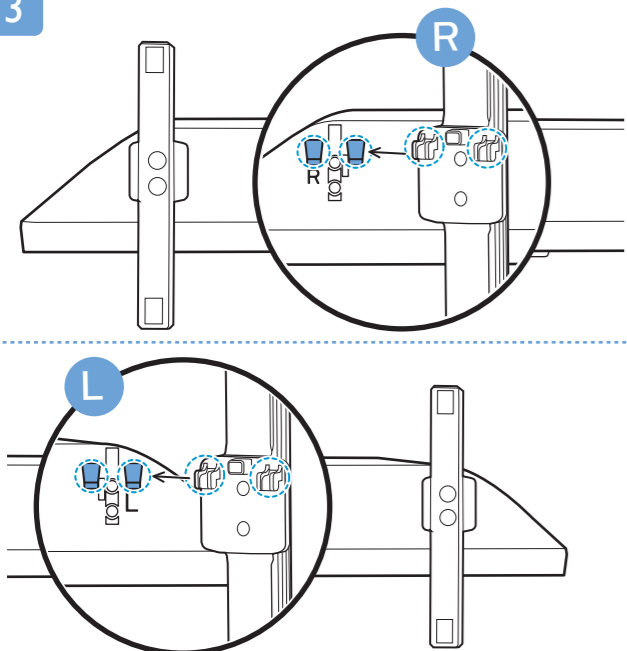
1



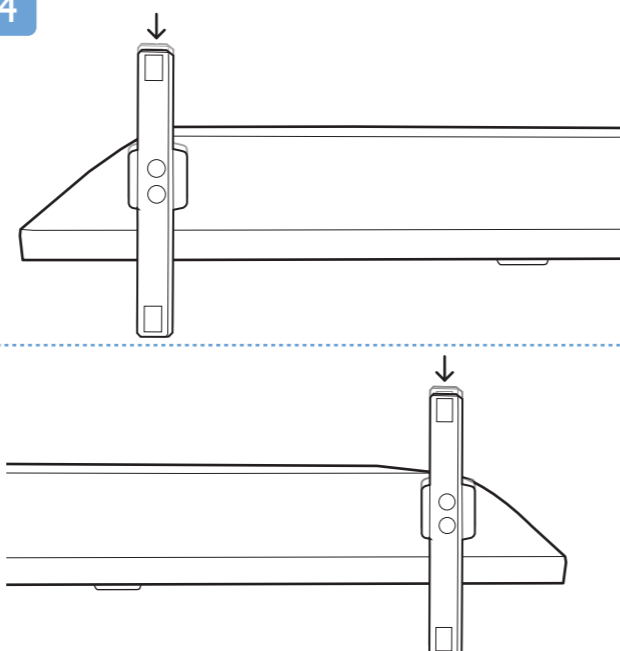
2



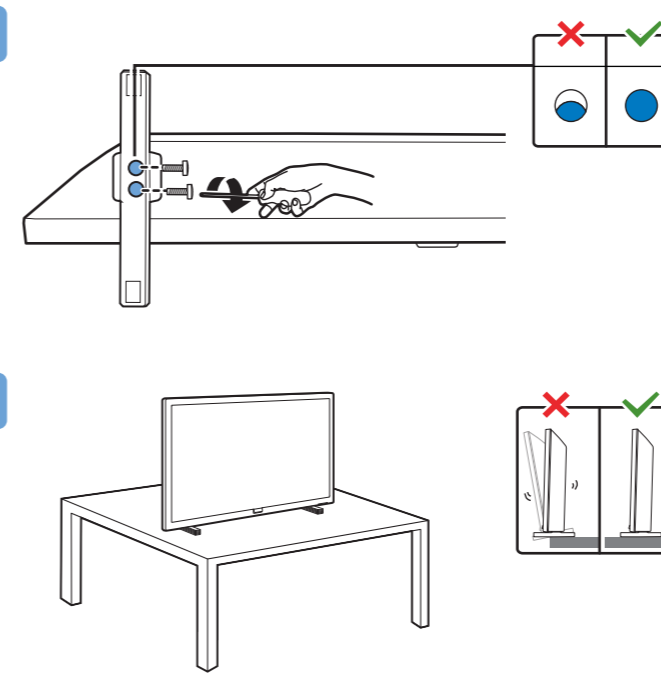
3



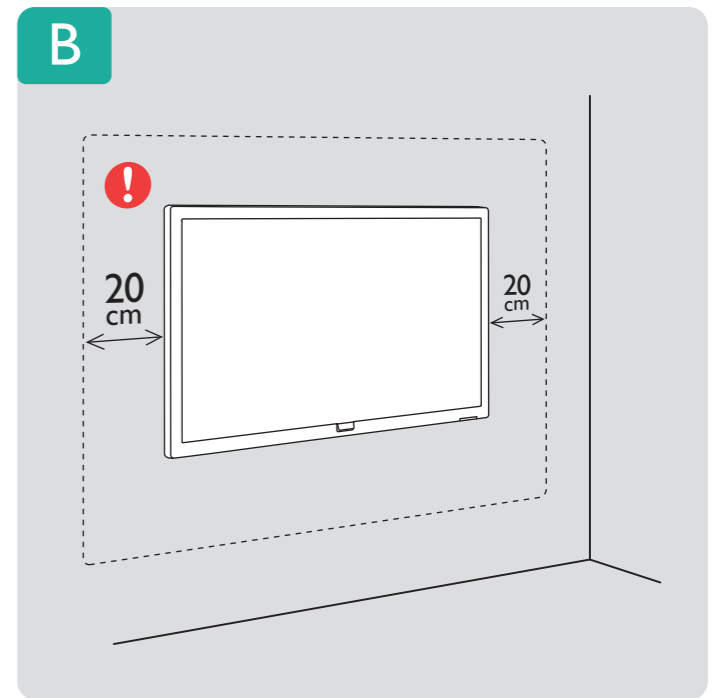
4



5



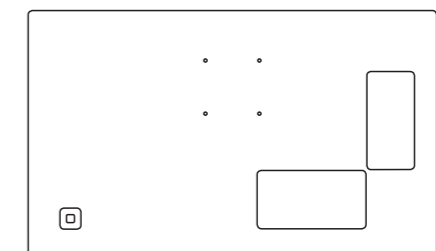
B



VESA (x,y)

43" 200 x 100mm M6

108 cm

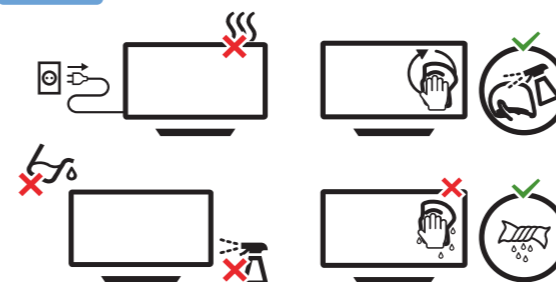
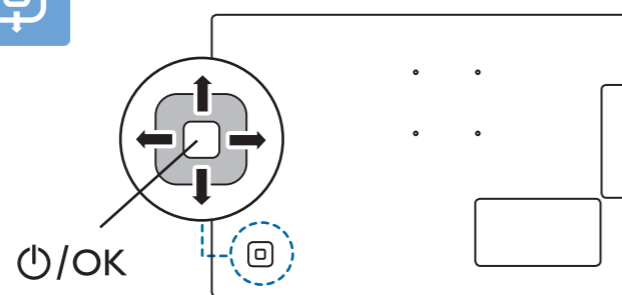
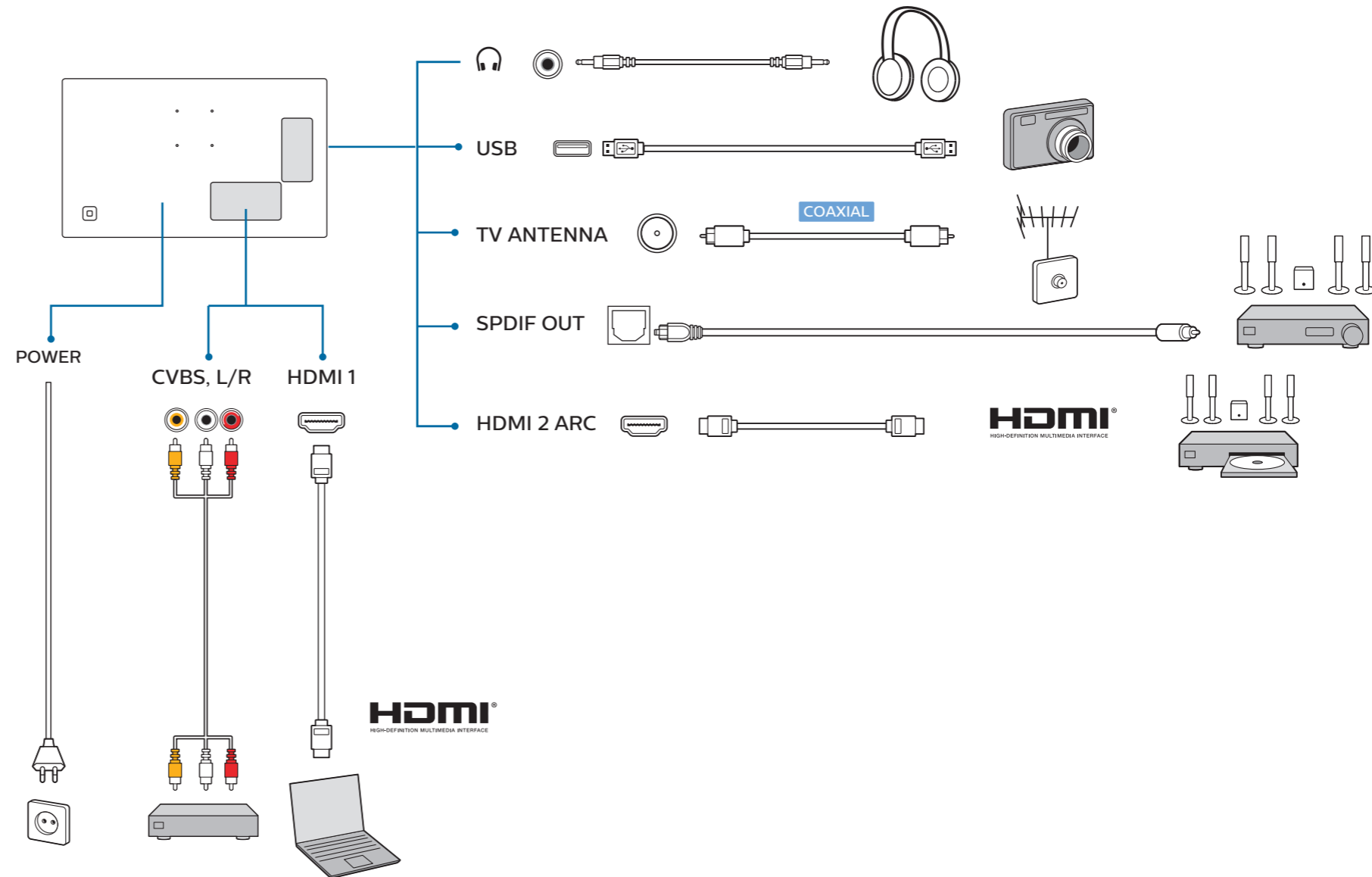
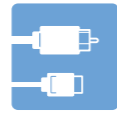
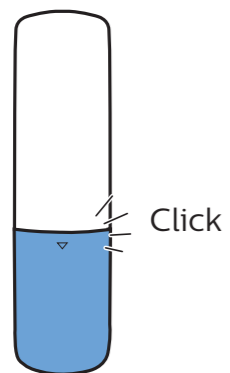
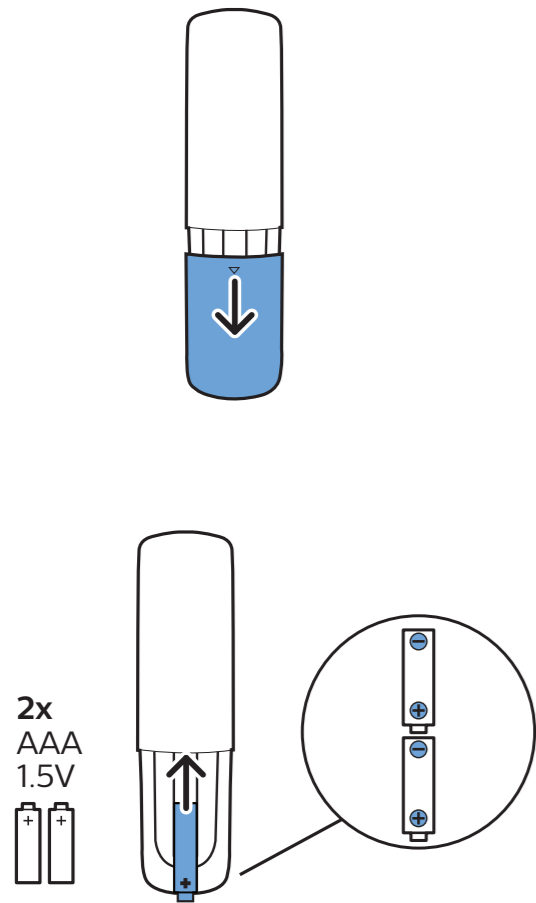
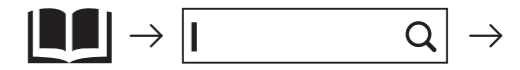




English Read the safety instructions.



Register your product and get support at www.philips.com/TVsupport



All registered and unregistered trademarks are property of their respective owners. Specifications are subject to change without notice. Philips and the Philips' shield emblem are trademarks of Koninklijke Philips N.V. and are used under license from Koninklijke Philips N.V. 2020© TP Vision Europe B.V. All rights reserved. philips.com