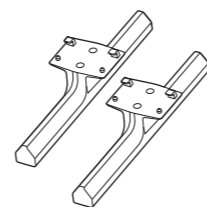
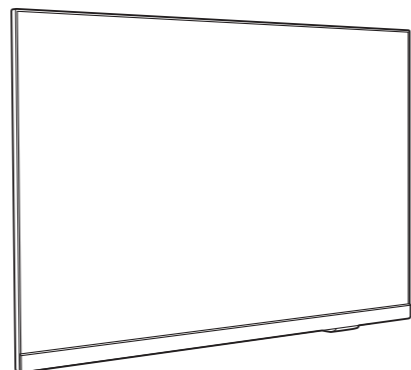


PHILIPS

Televisão

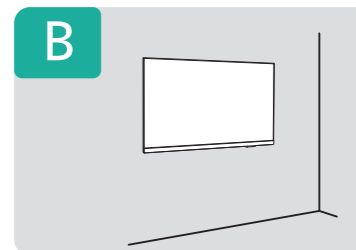
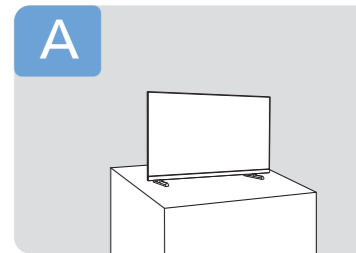
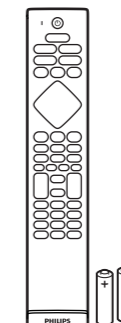
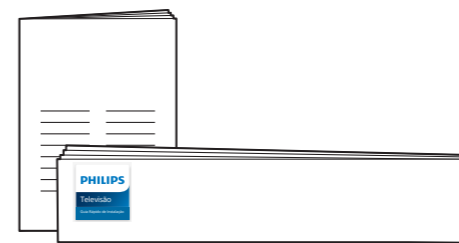
Guia Rápido de Instalação

32PHG6917/78



x4

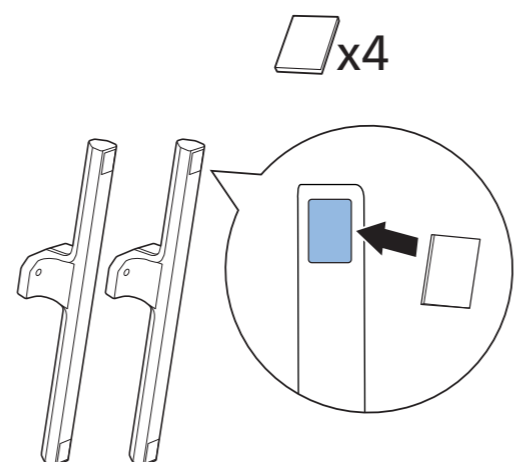
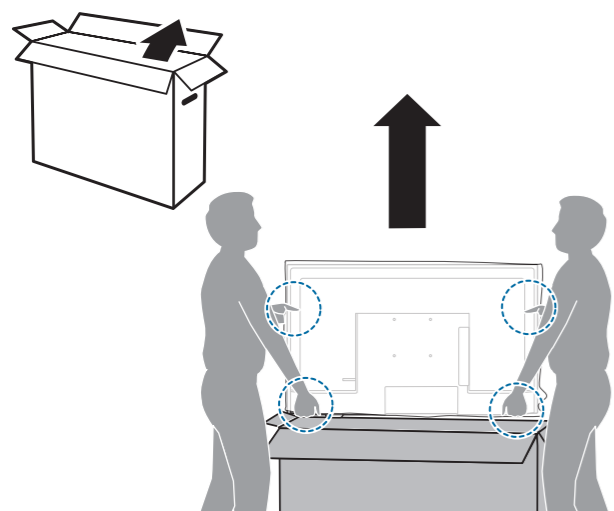
x4



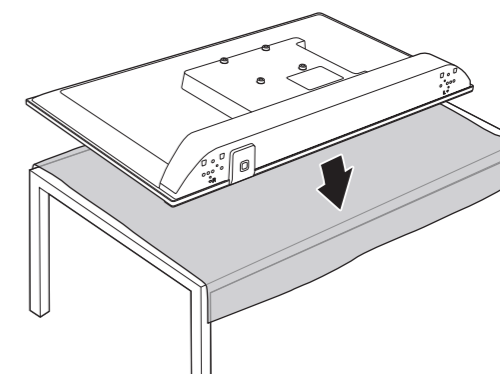
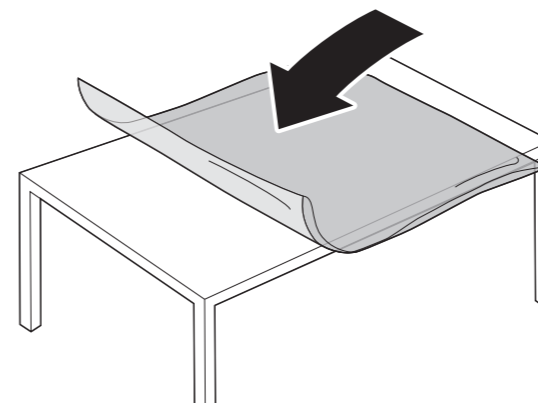
A



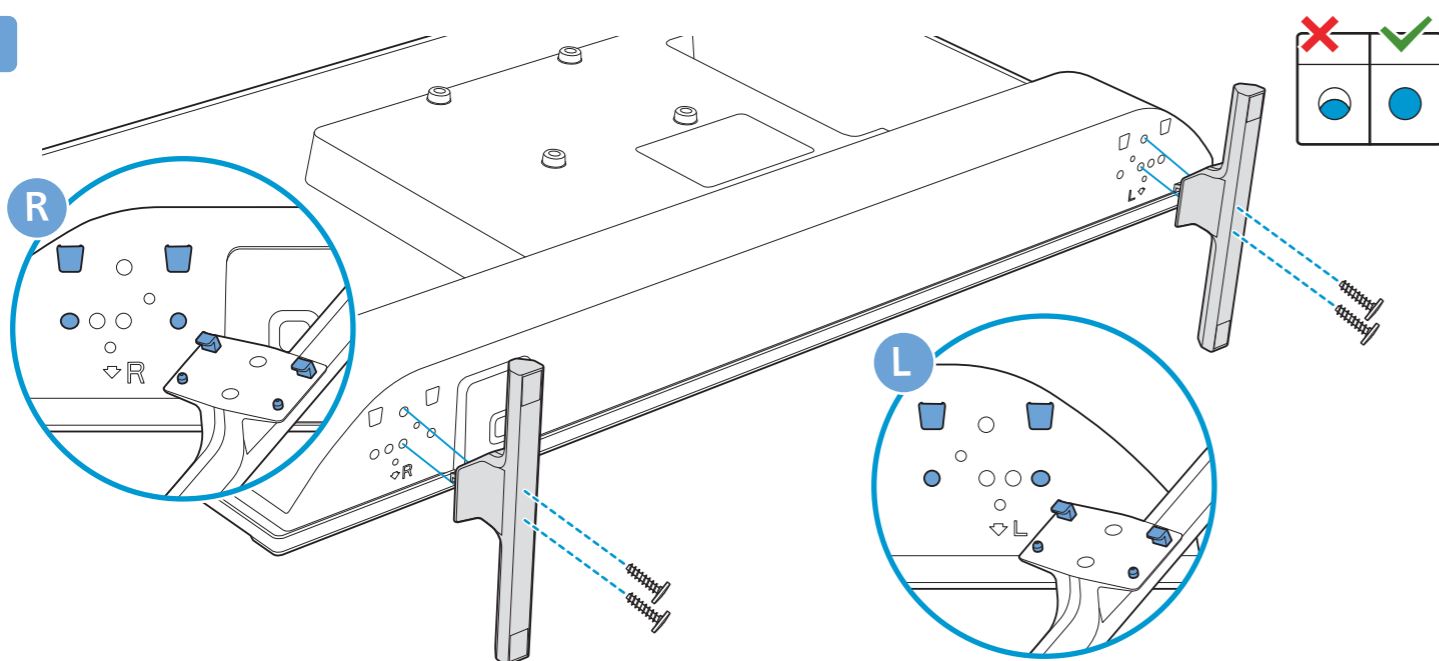
1



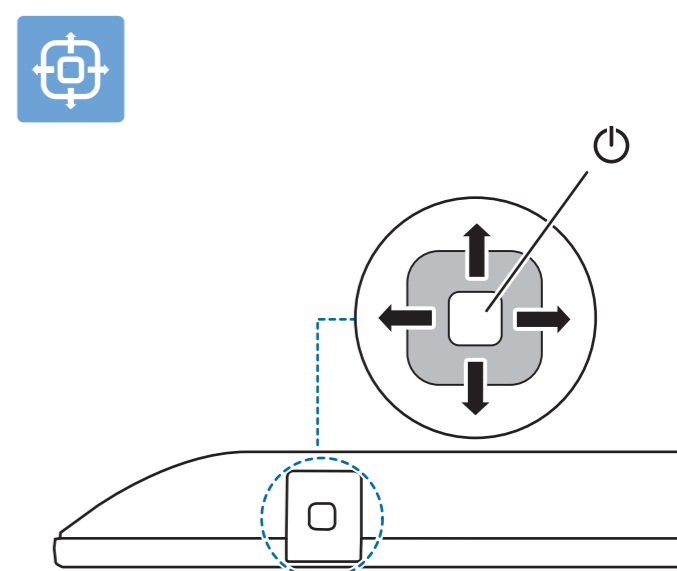
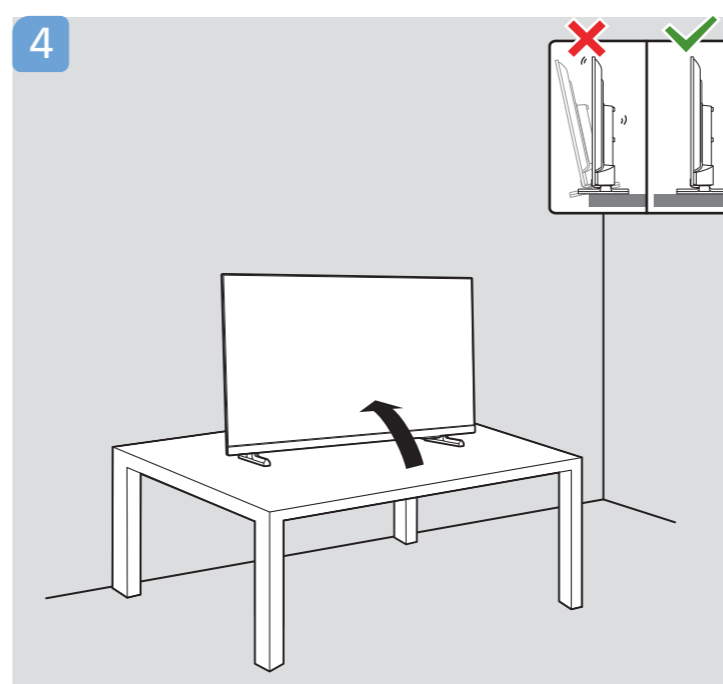
2



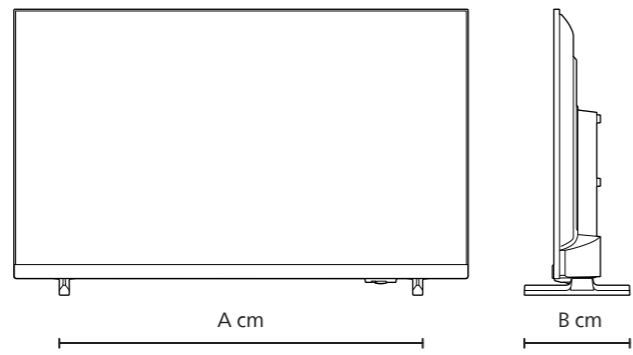
3



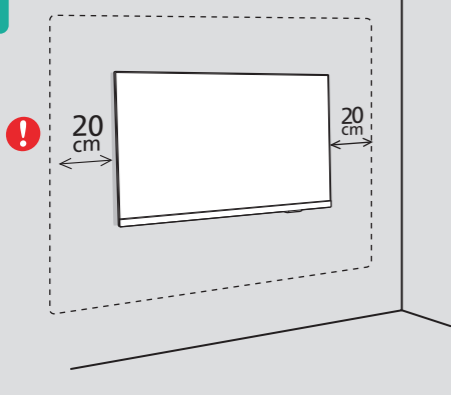
4



	A	B
32"	57.3	16.6

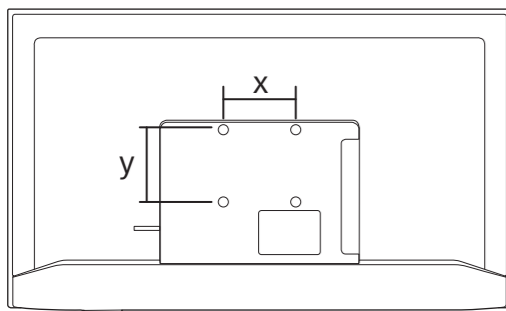


B



VESA (x,y)

32" 100x100mm M4
(L: 8mm~10mm) 80 cm



1. Insert the battery cover into the back of the TV.
2. Push the cover until it clicks into place.
3. Insert 2x AAA 1.5V batteries into the compartment. **Click**
4. Push the cover back into place.
5. Push the cover until it clicks into place.

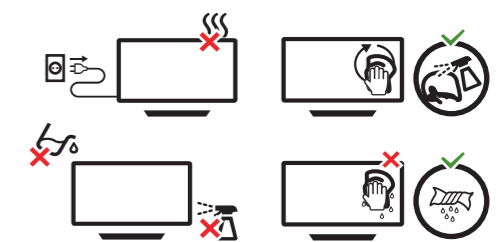
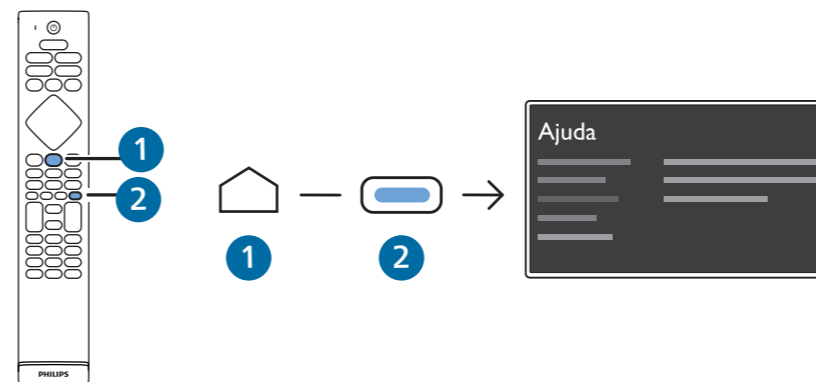
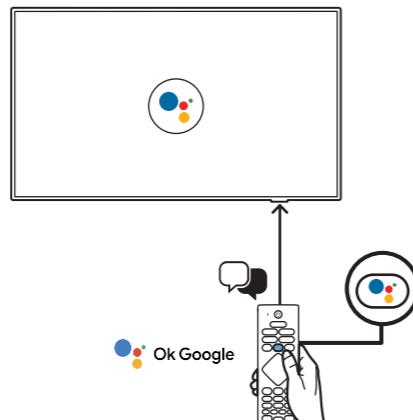
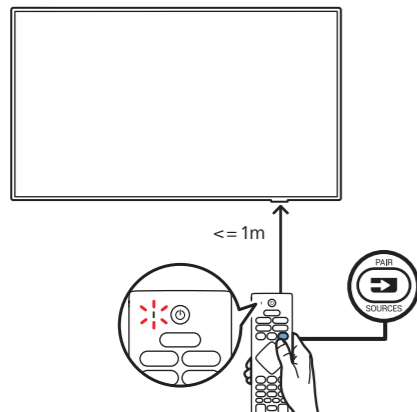
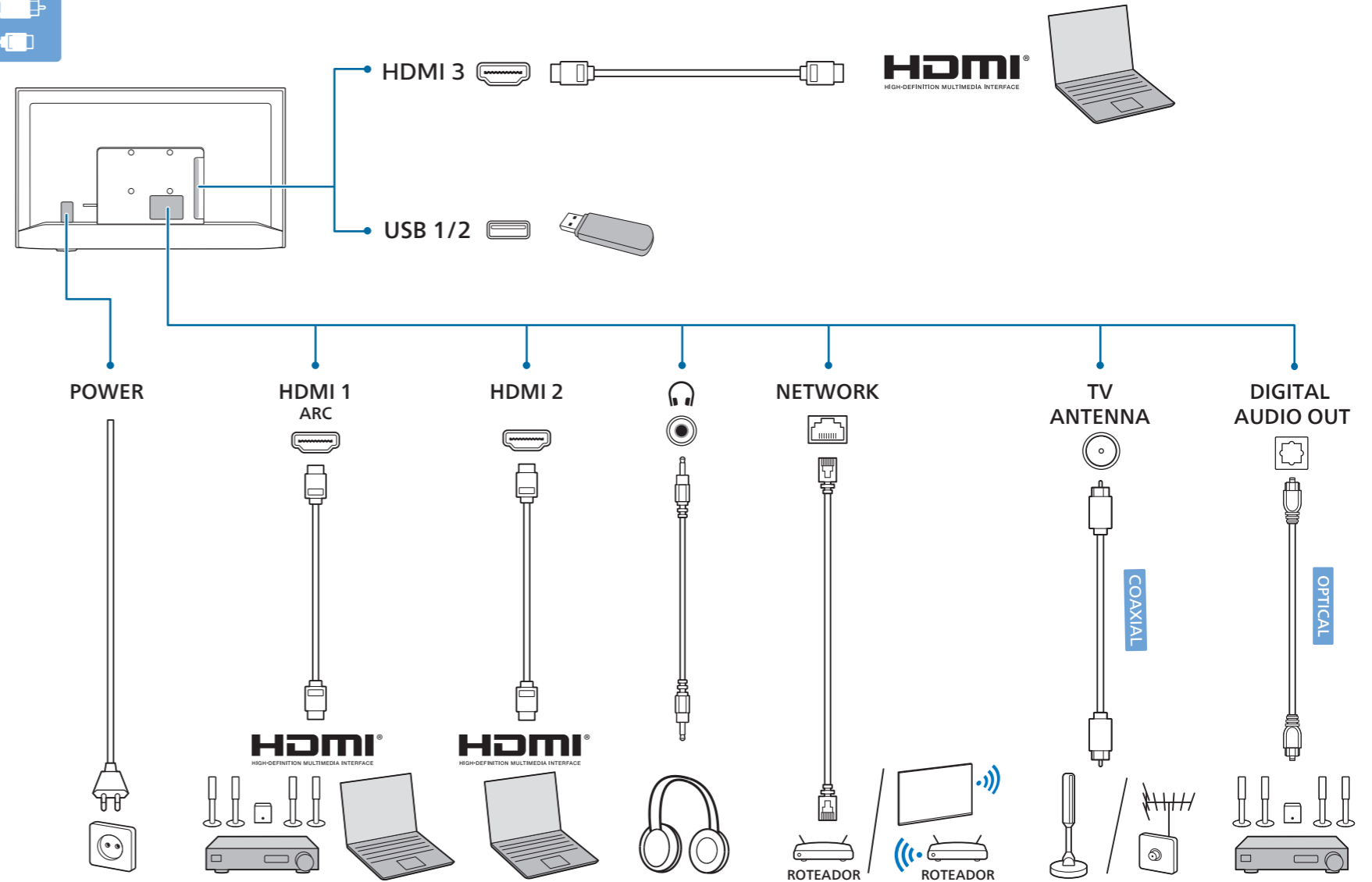
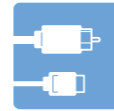
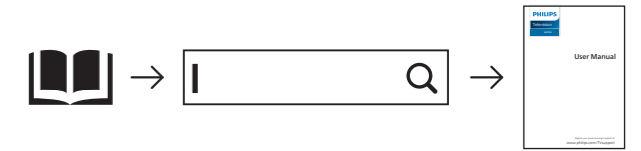


English Read the safety instructions.

Português Leia as instruções de segurança.



Registre seu produto e obtenha suporte em www.philips.com/TVsupport



All registered and unregistered trademarks are property of their respective owners. Specifications are subject to change without notice. Philips and the Philips' shield emblem are trademarks of Koninklijke Philips N.V. and are used under license from Koninklijke Philips N.V. This product has been manufactured by and is sold under the responsibility of TP Vision Europe B.V., and TP Vision Europe B.V. is the warrantor in relation to this product. 2022 © TP Vision Europe B.V. All rights reserved. www.philips.com/welcome