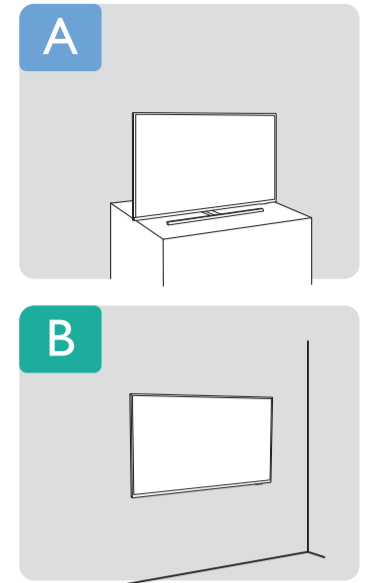
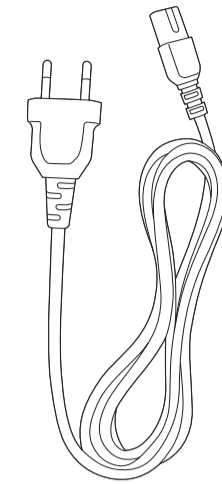
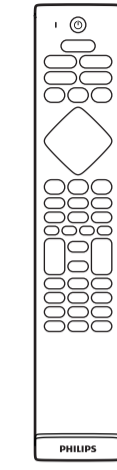
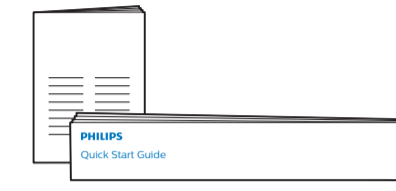
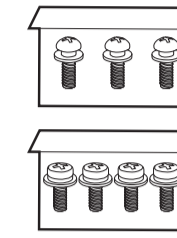
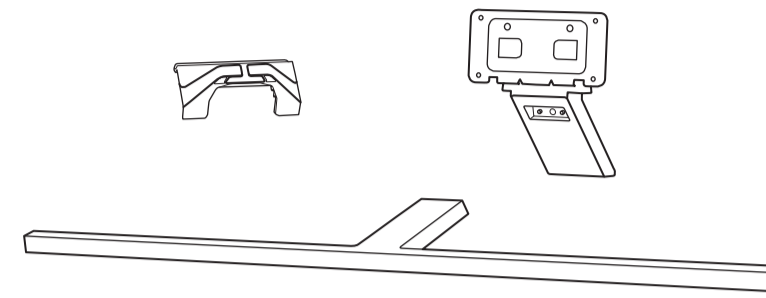
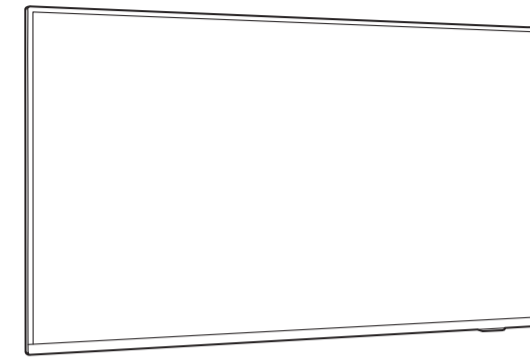


8505 series

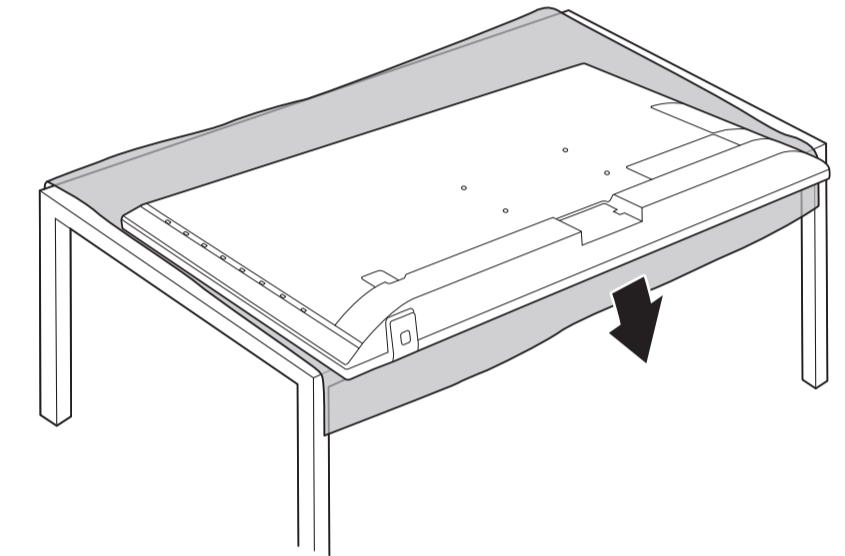
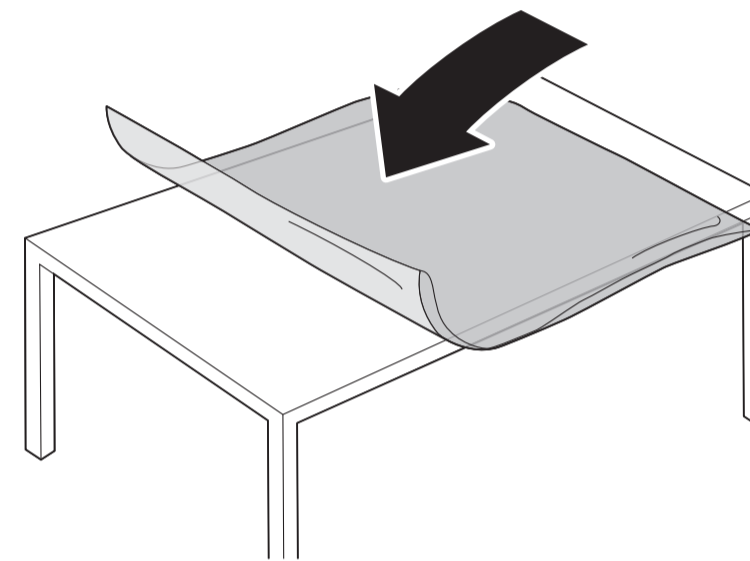
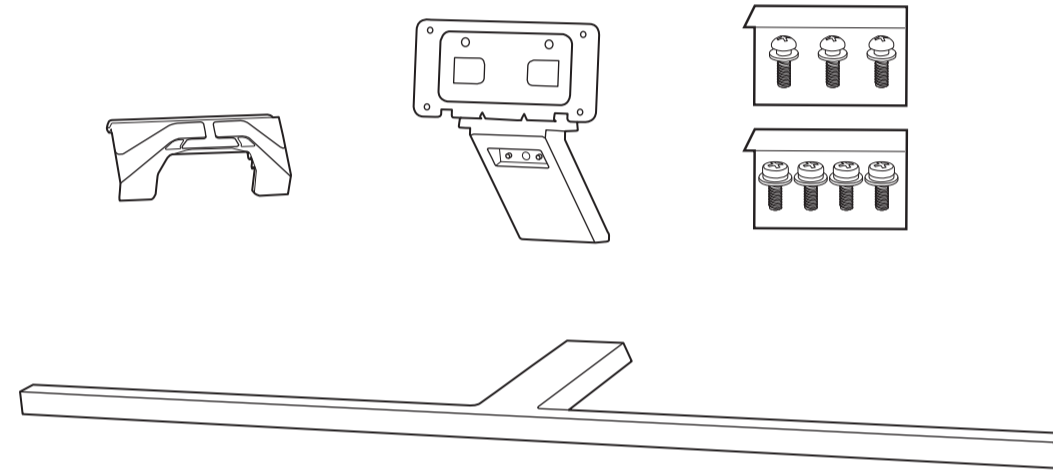
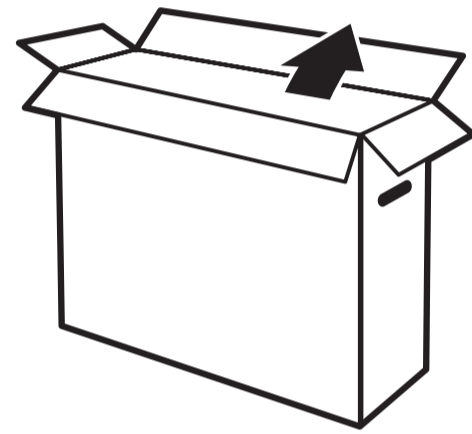
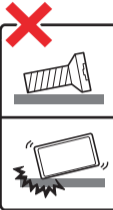
Quick Start Guide



A

1

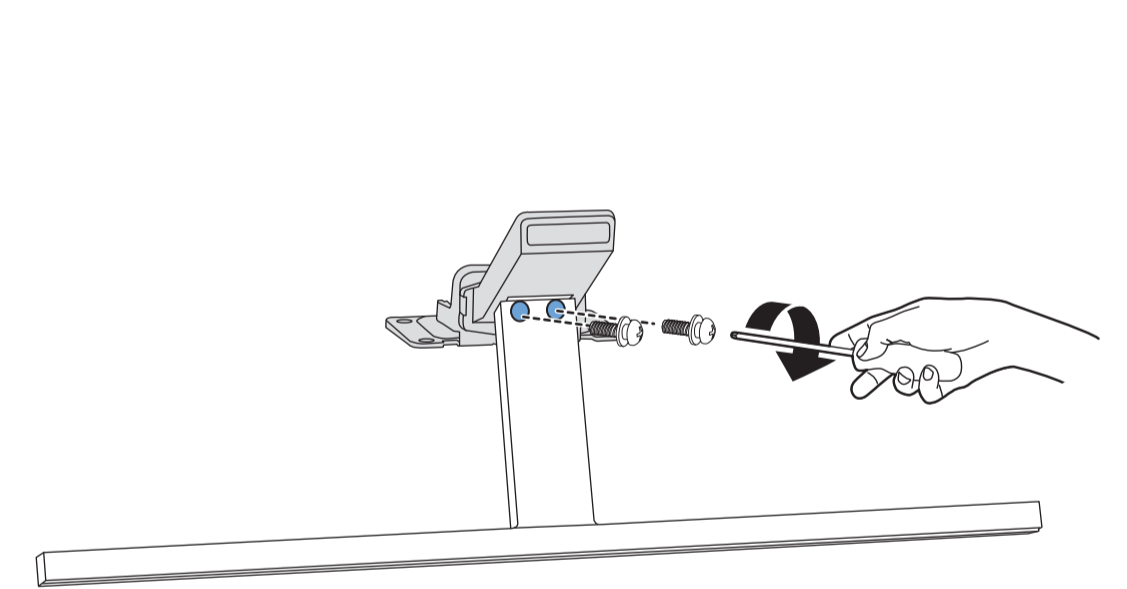
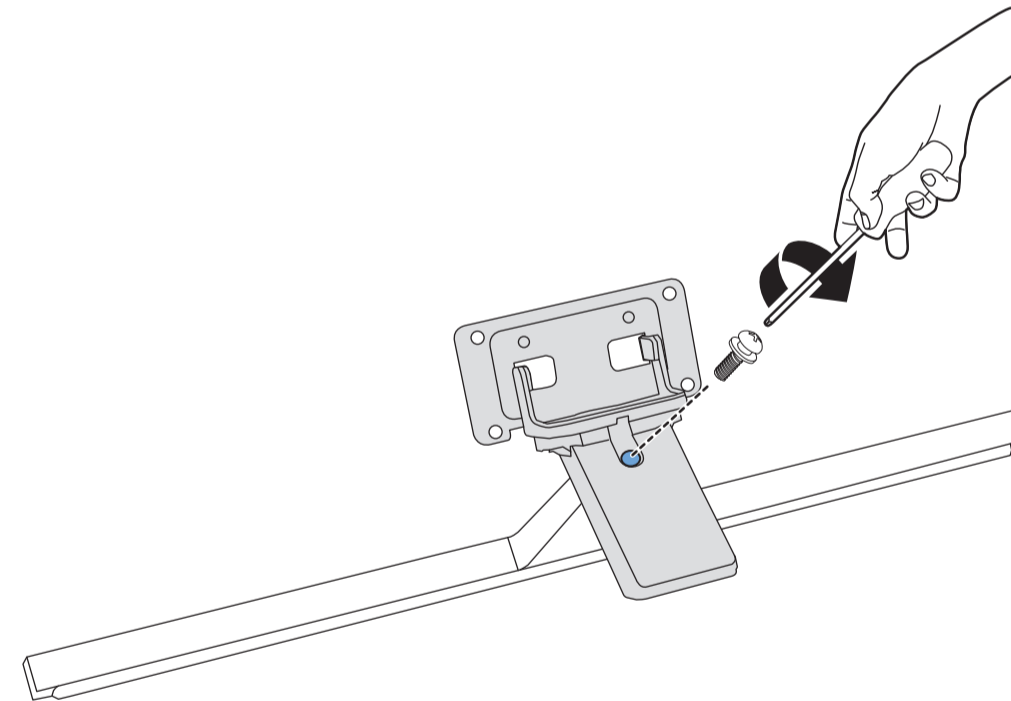
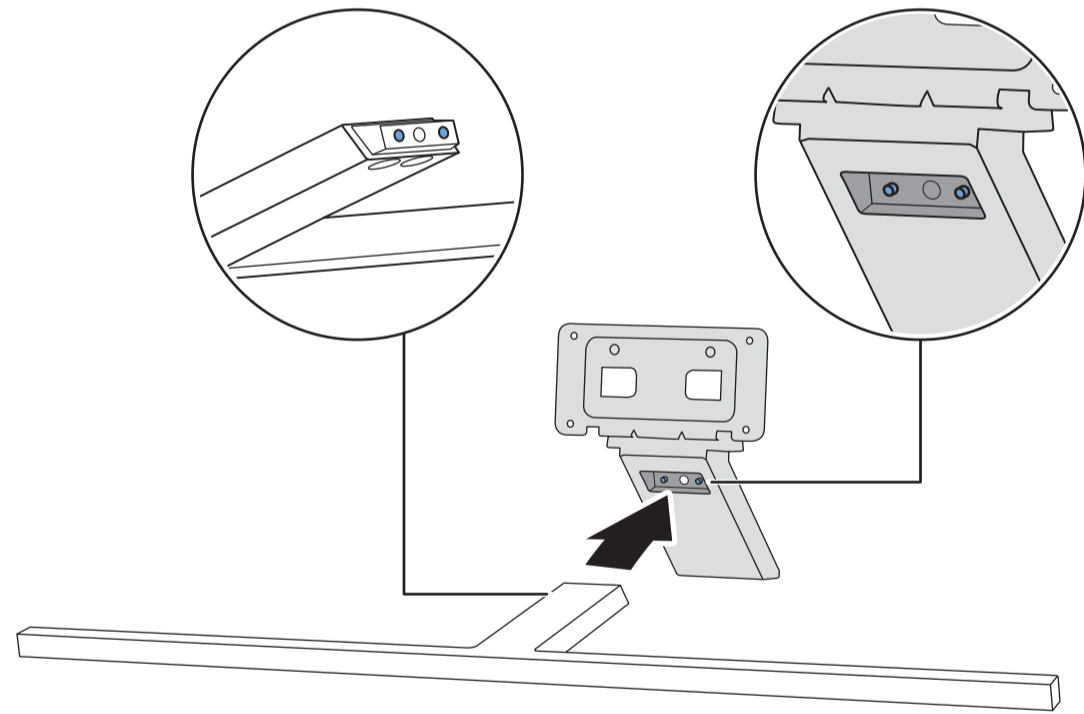
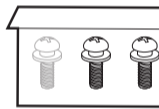
2



3

4

5

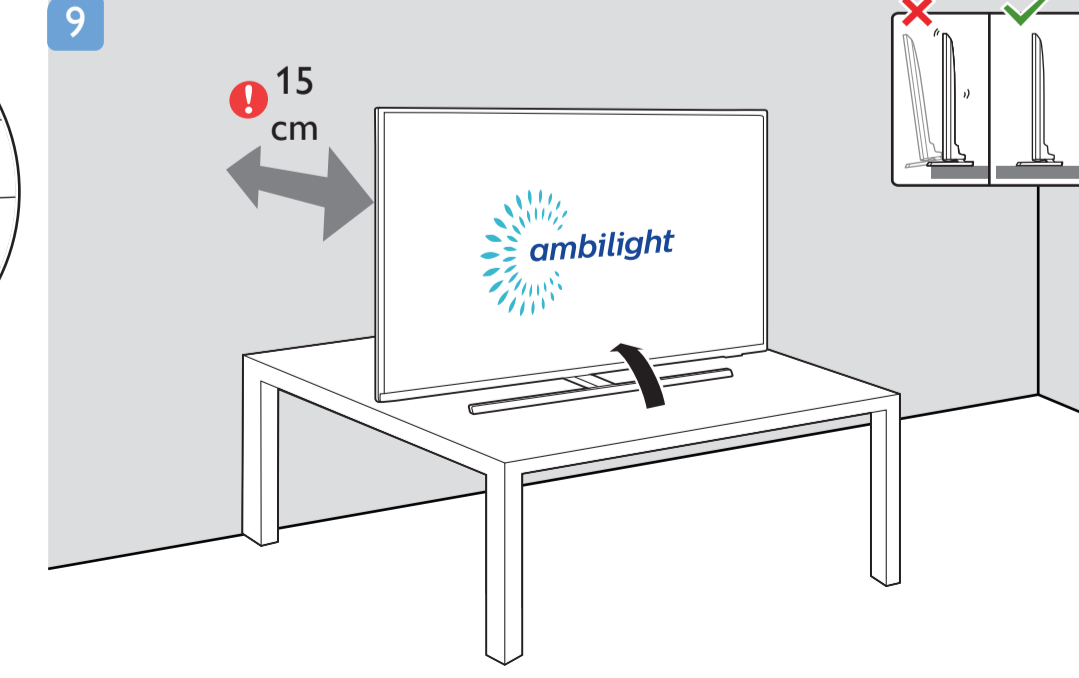
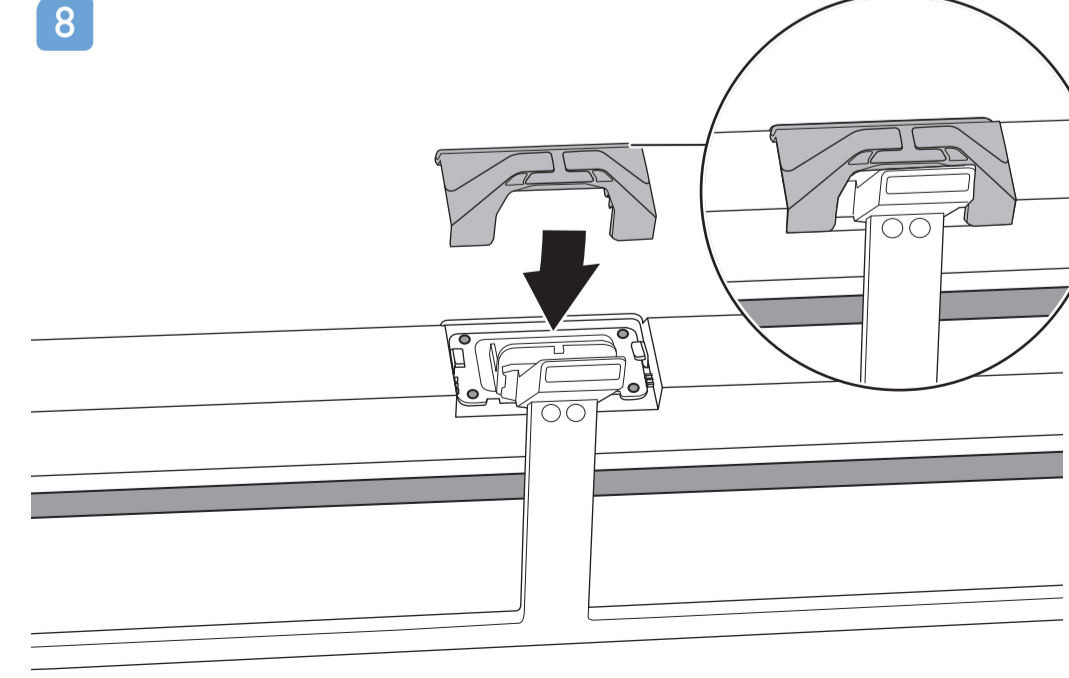
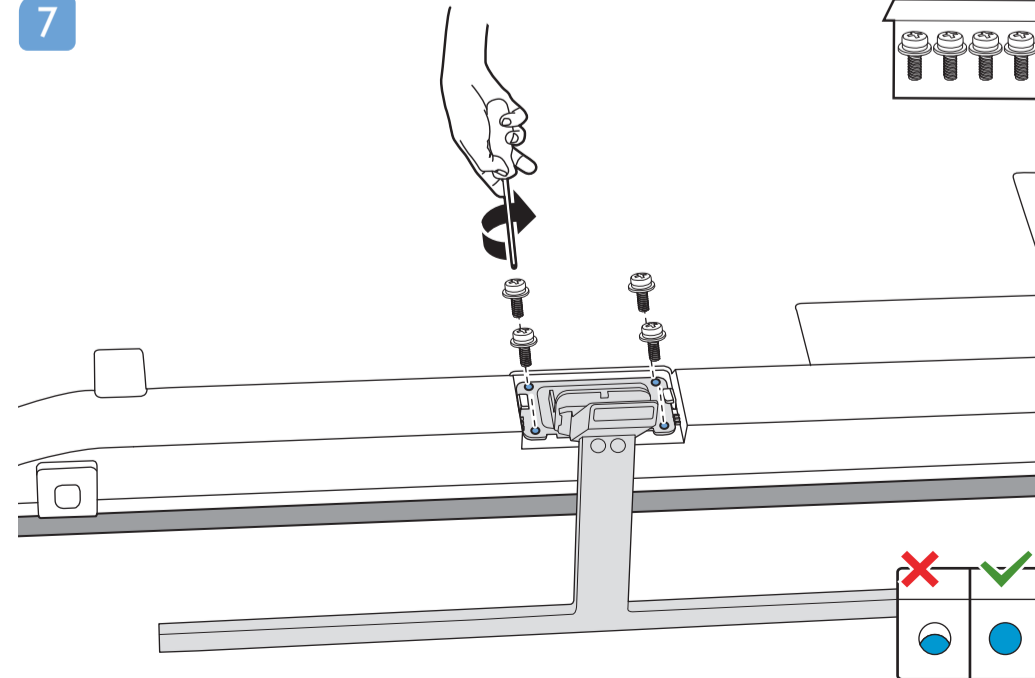
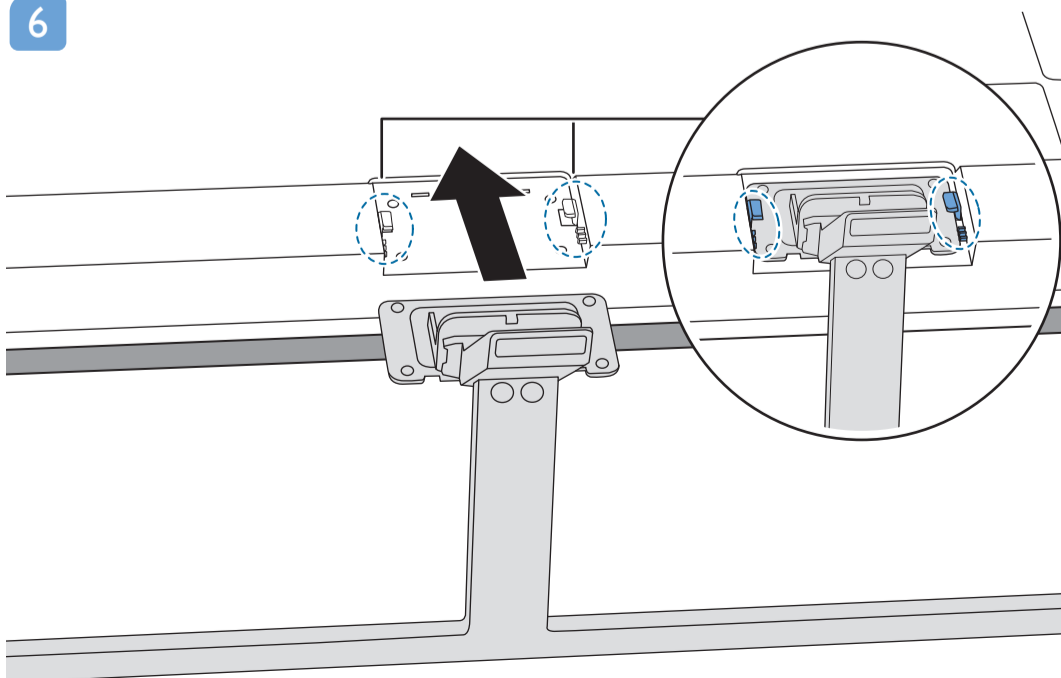
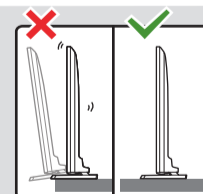


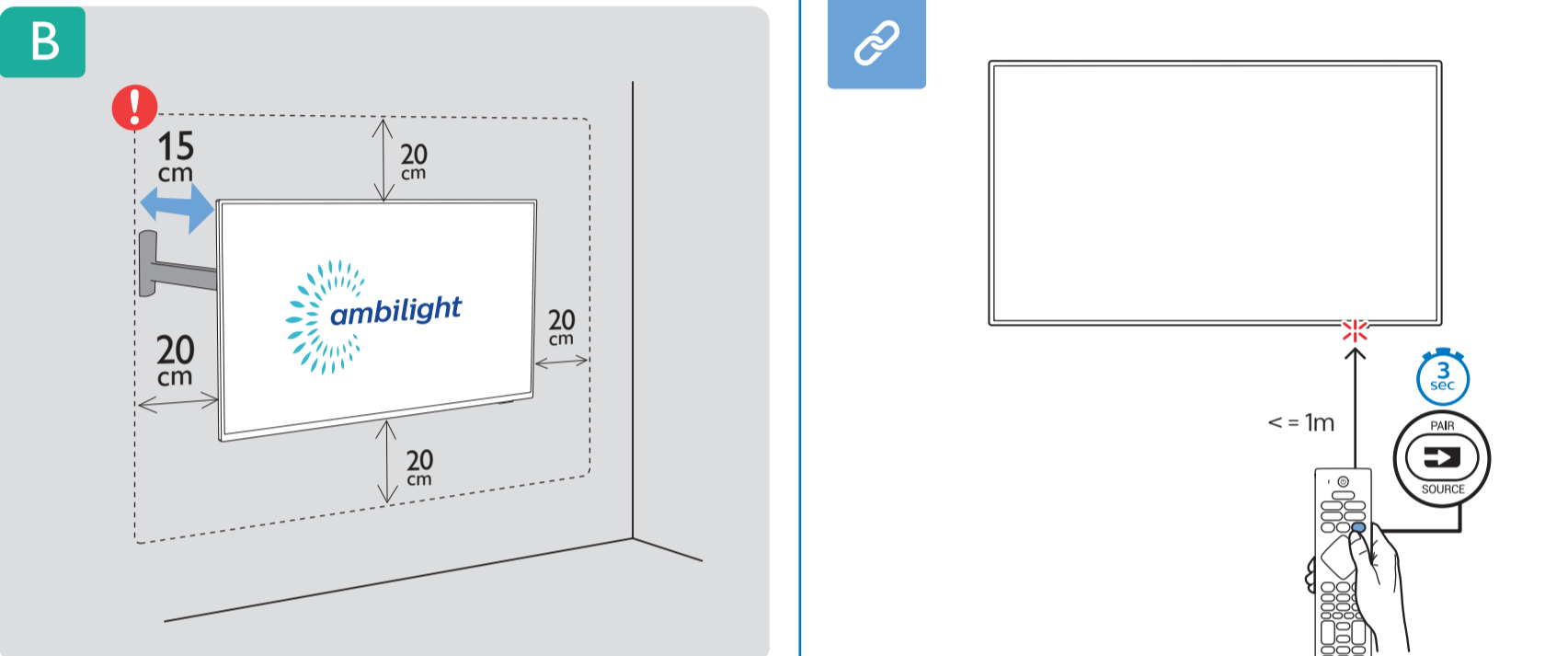
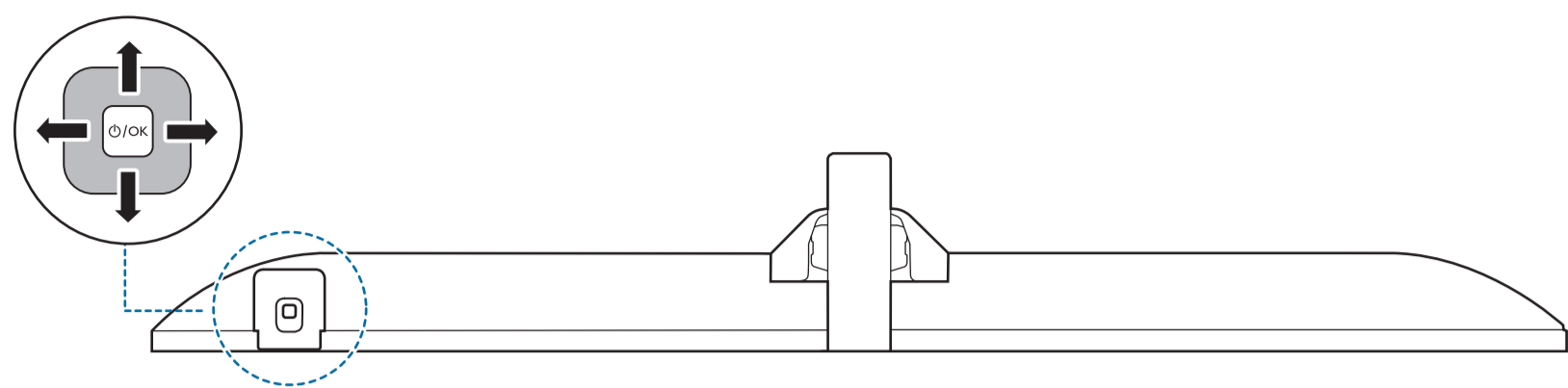
6

7

8

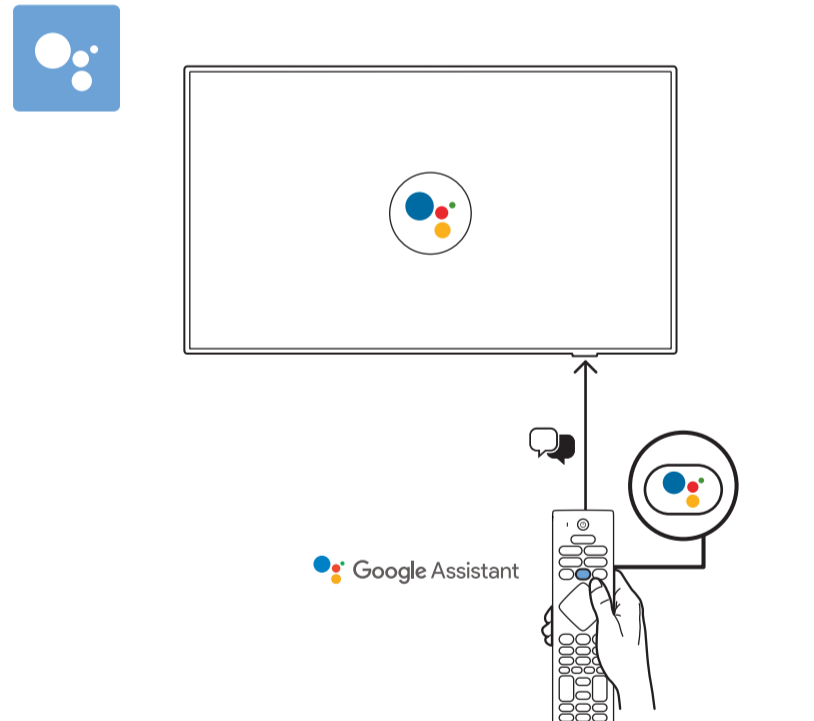
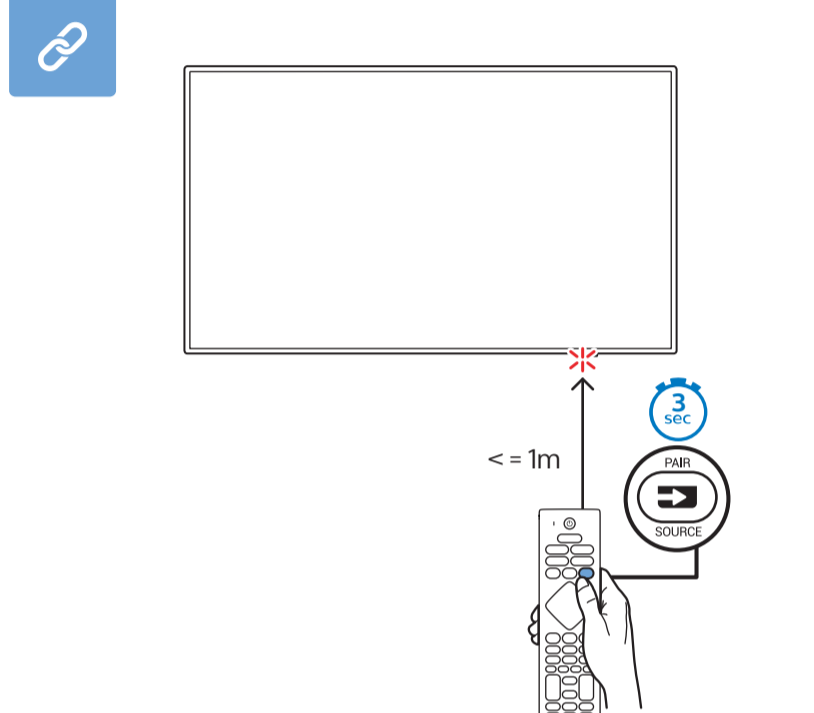
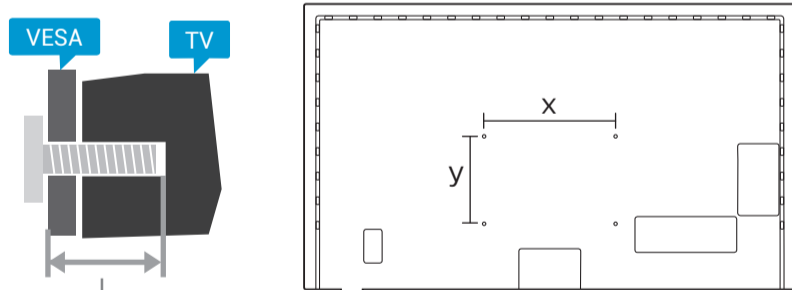
9





VESA (x, y)

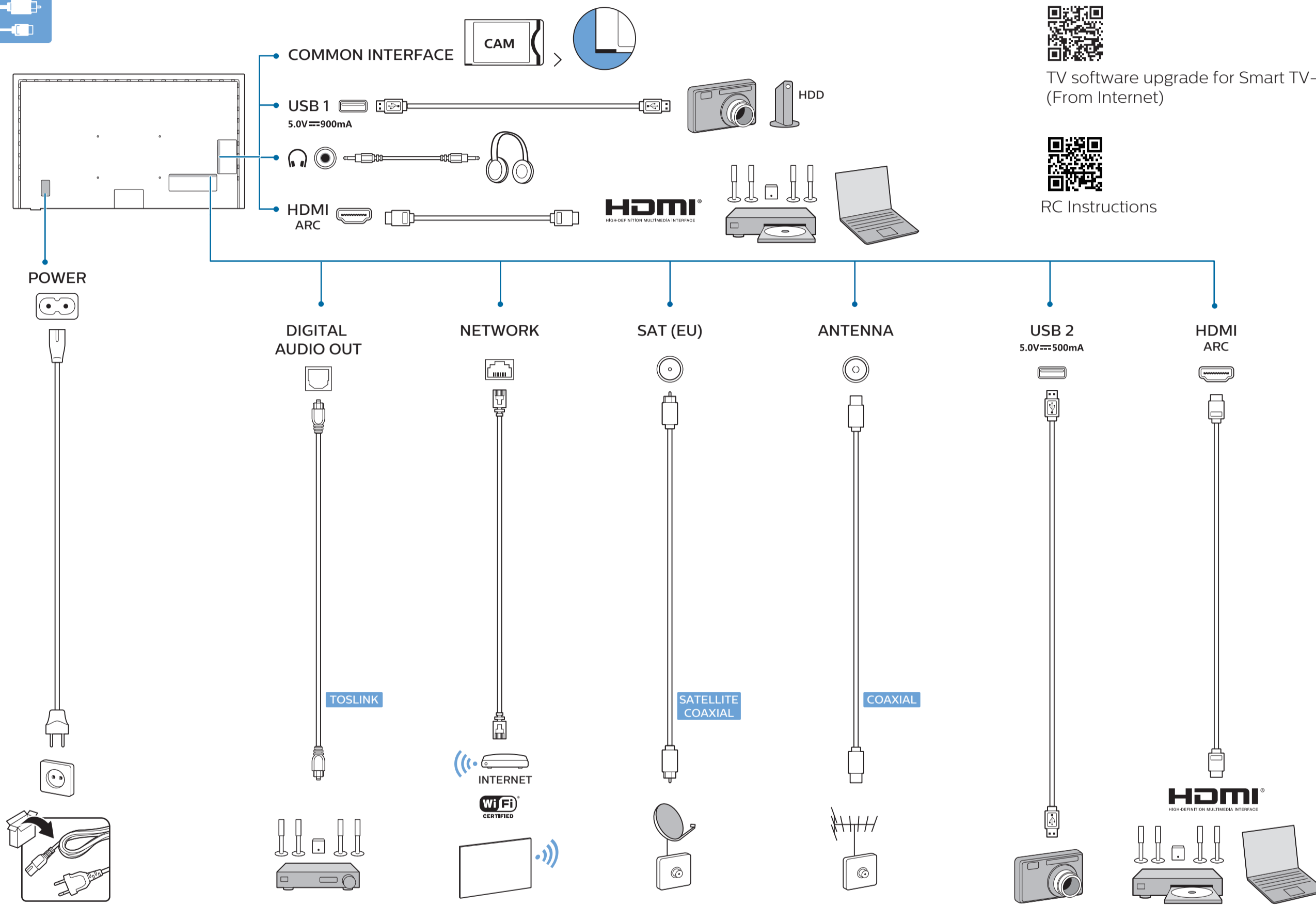
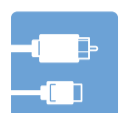
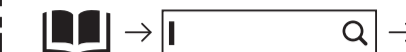
50" 300x200mm M6 (L: 10mm-16mm) 126 cm



English Read the safety instructions.
Türkçe Güvenlik talimatlarını okuyun.



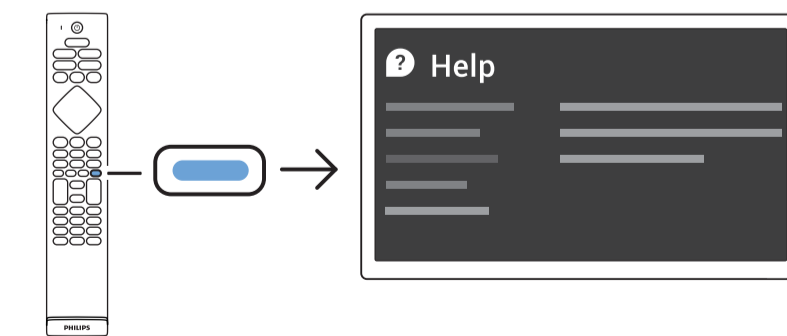
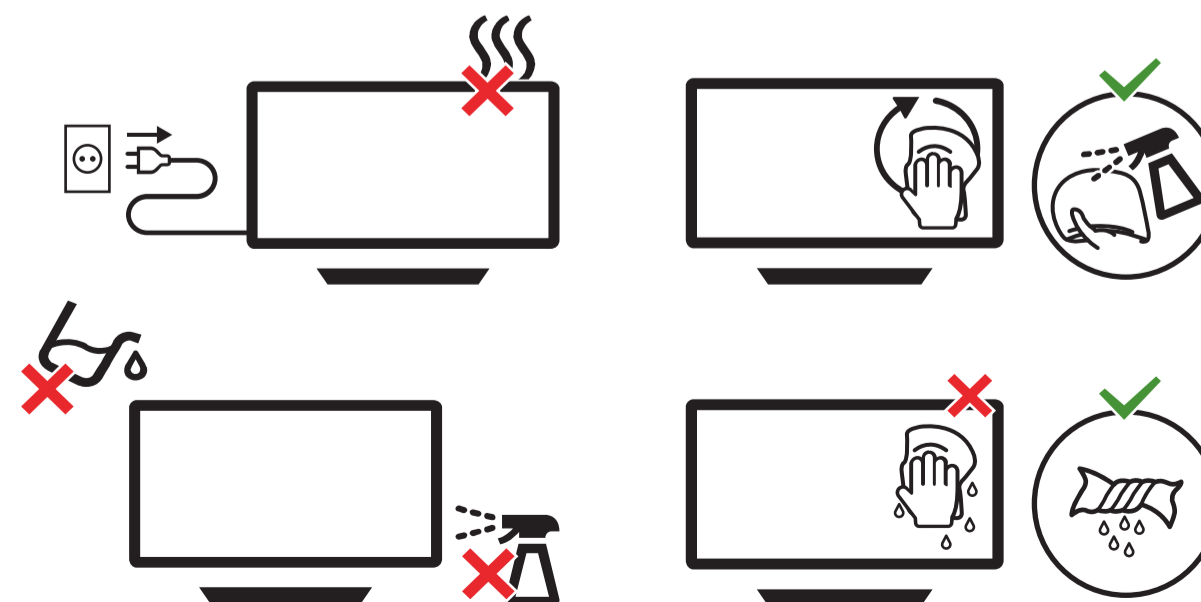
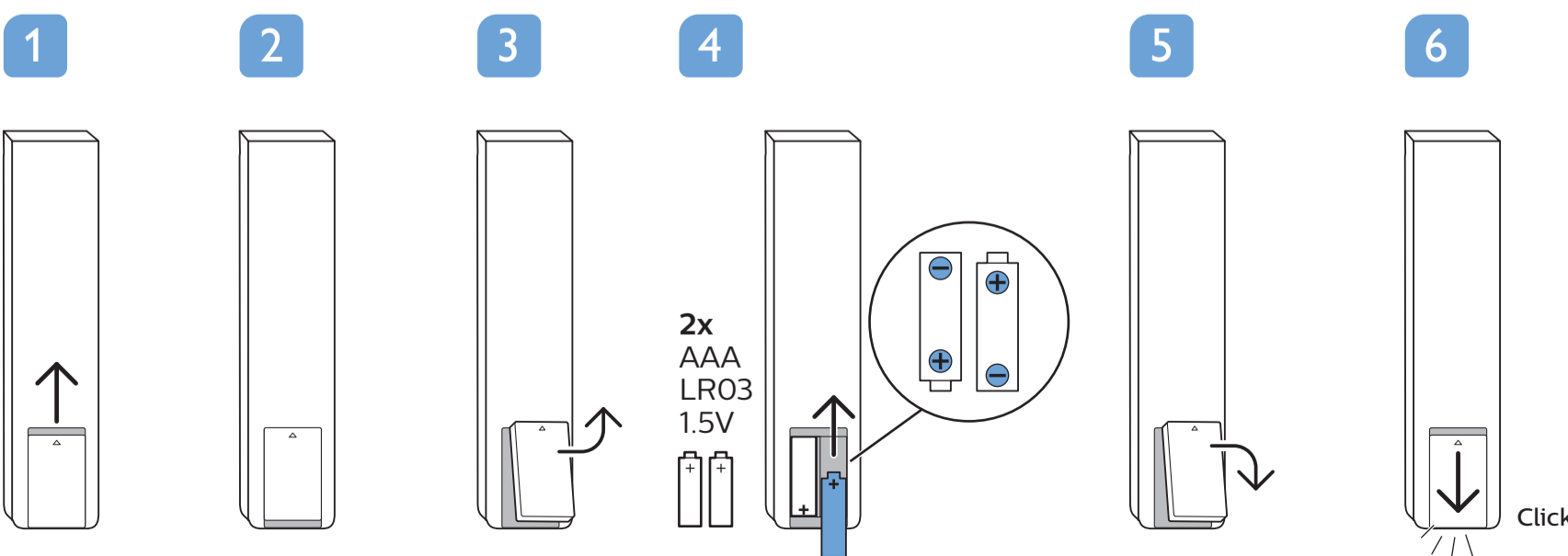
Register your product and get support at www.philips.com/TVsupport



TV software upgrade for Smart TV- (From Internet)



RC Instructions



All registered and unregistered trademarks are property of their respective owners. Specifications are subject to change without notice. Philips and the Philips' shield emblem are trademarks of Koninklijke Philips N.V. and are used under license from Koninklijke Philips N.V. 2020 © TP Vision Europe B.V. All rights reserved. philips.com