

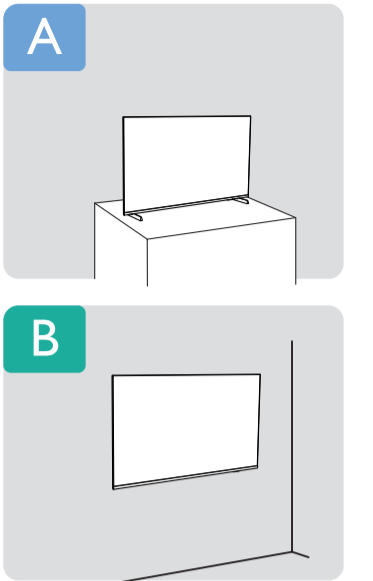
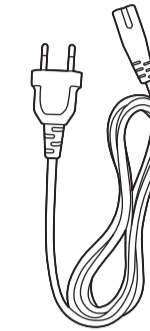
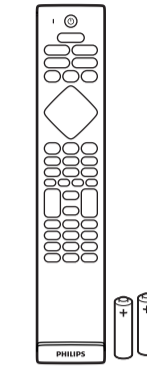
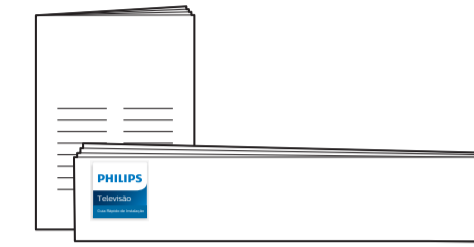
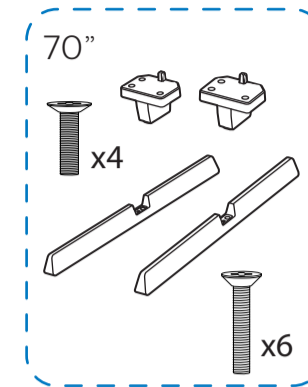
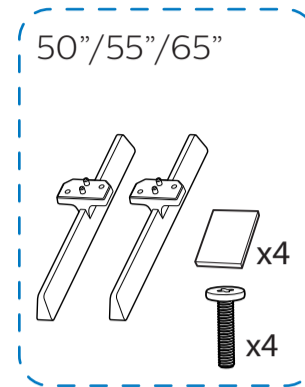
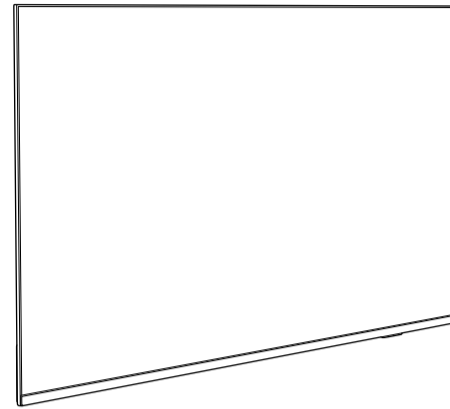
PHILIPS

Televisão

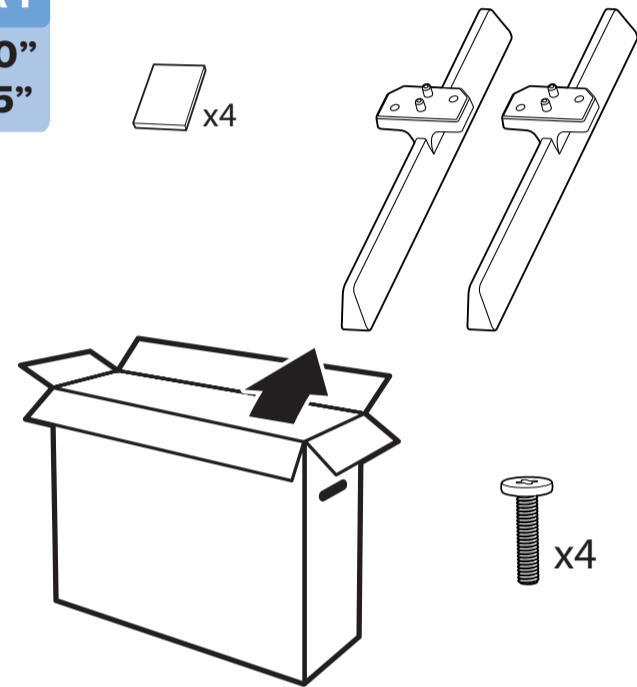
Guia Rápido de Instalação

50PUG7406/78
55PUG7406/78

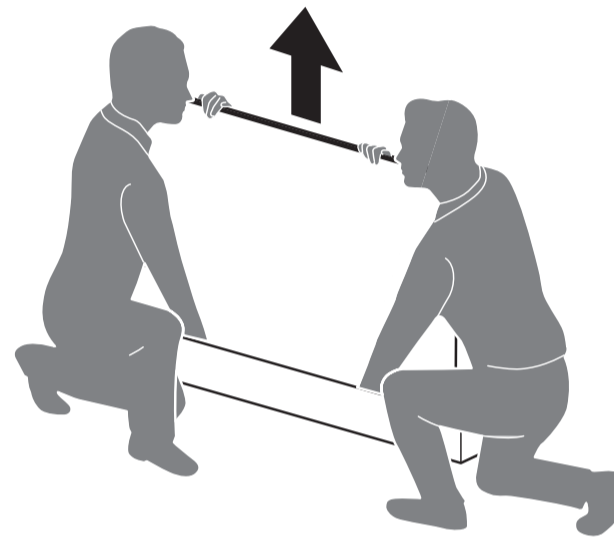
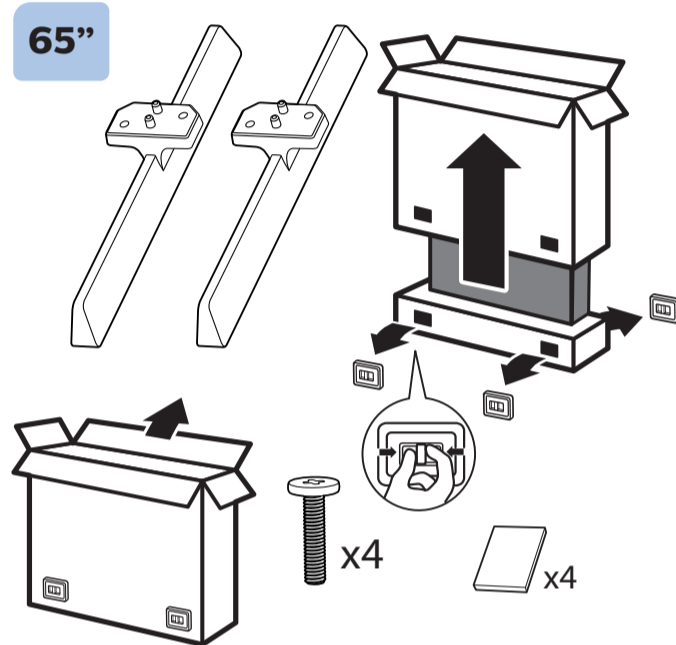
65PUG7406/78
70PUG7406/78



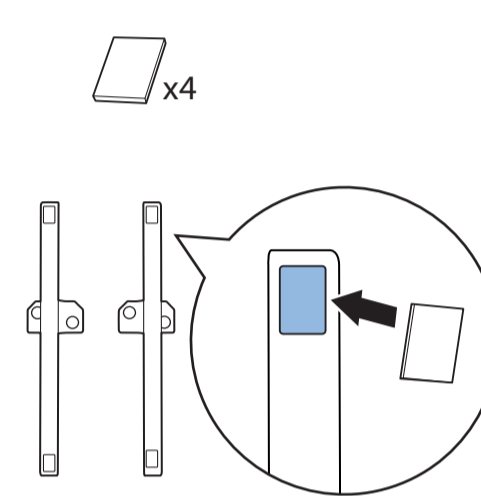
A1
50"
55"



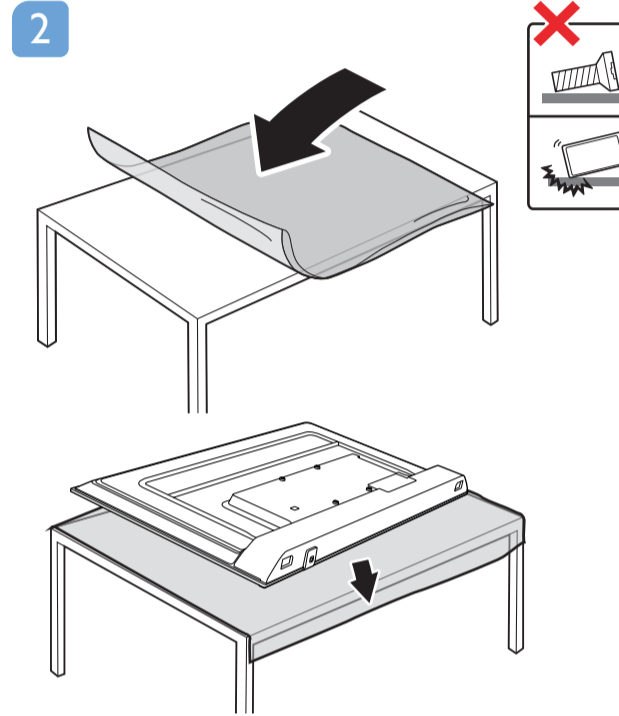
65"



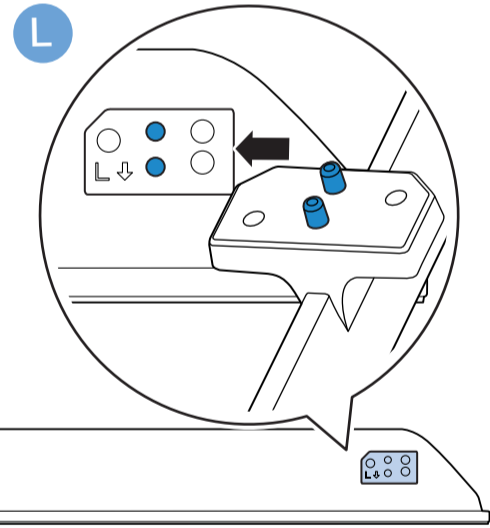
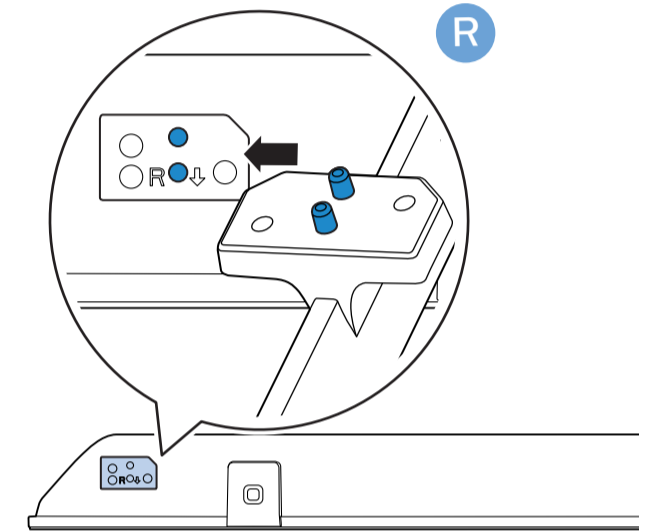
1
50"
55"
65"



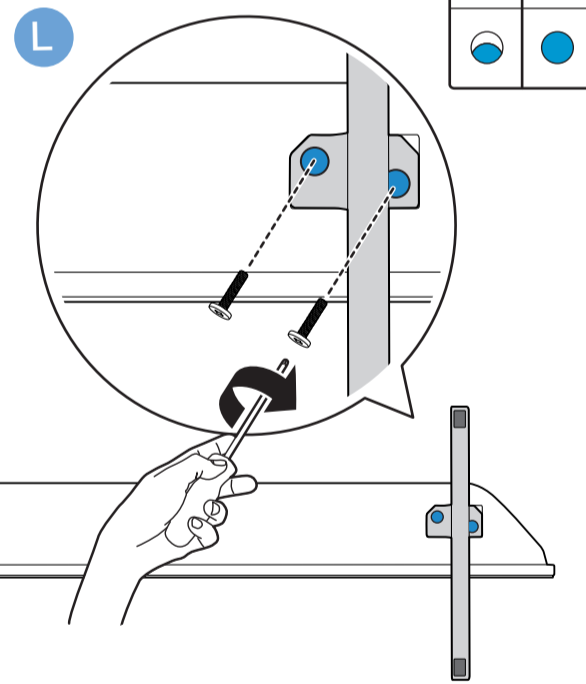
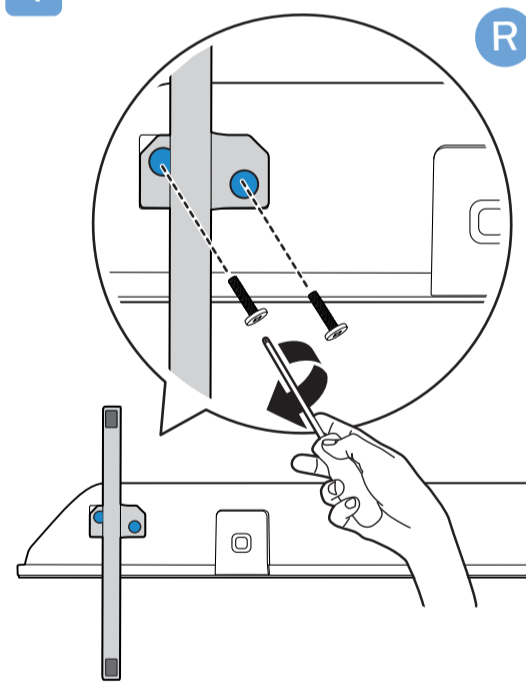
2



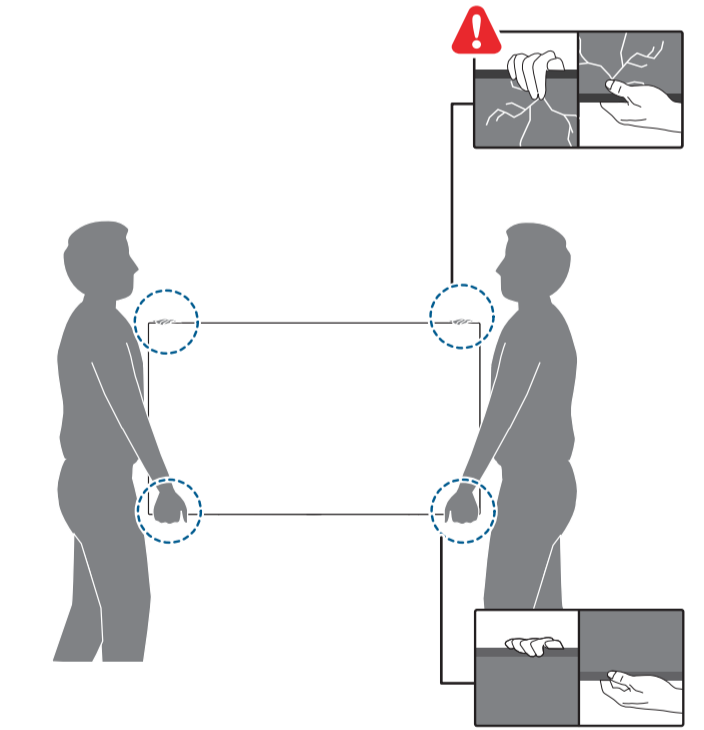
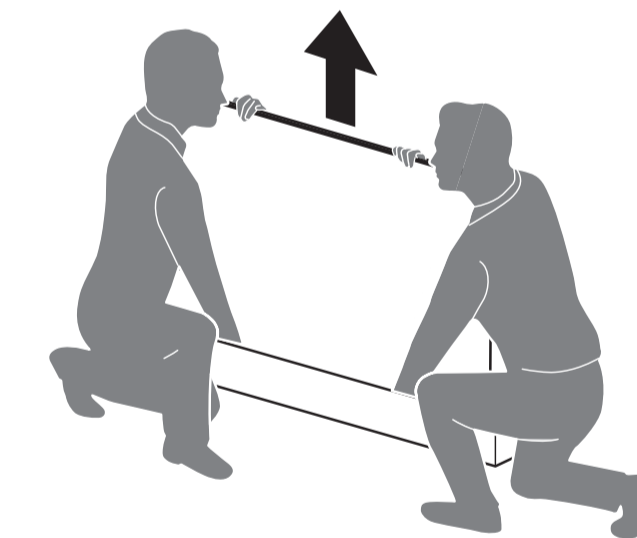
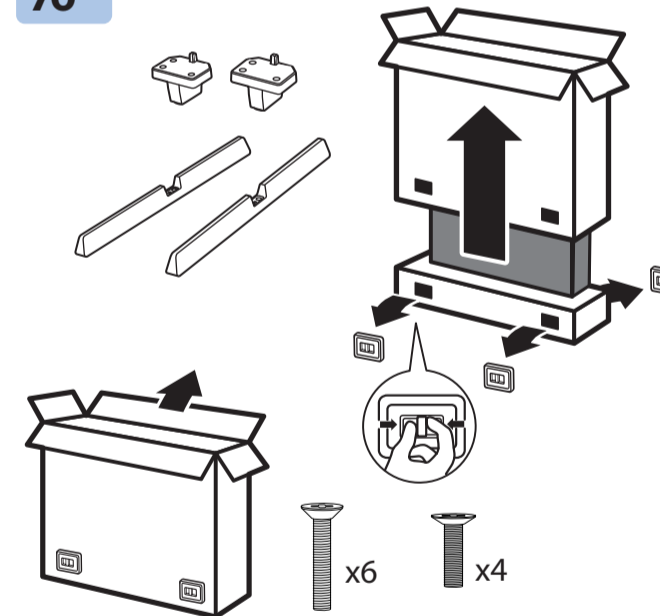
3



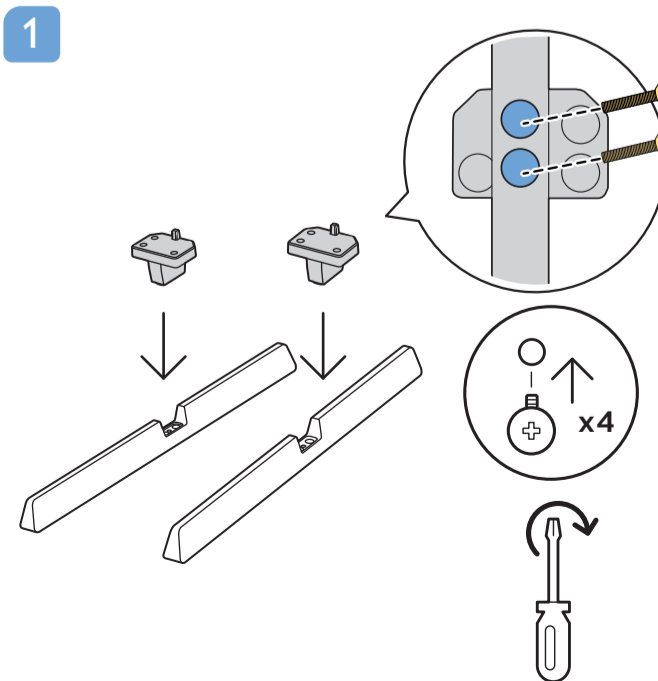
4



A2
70"



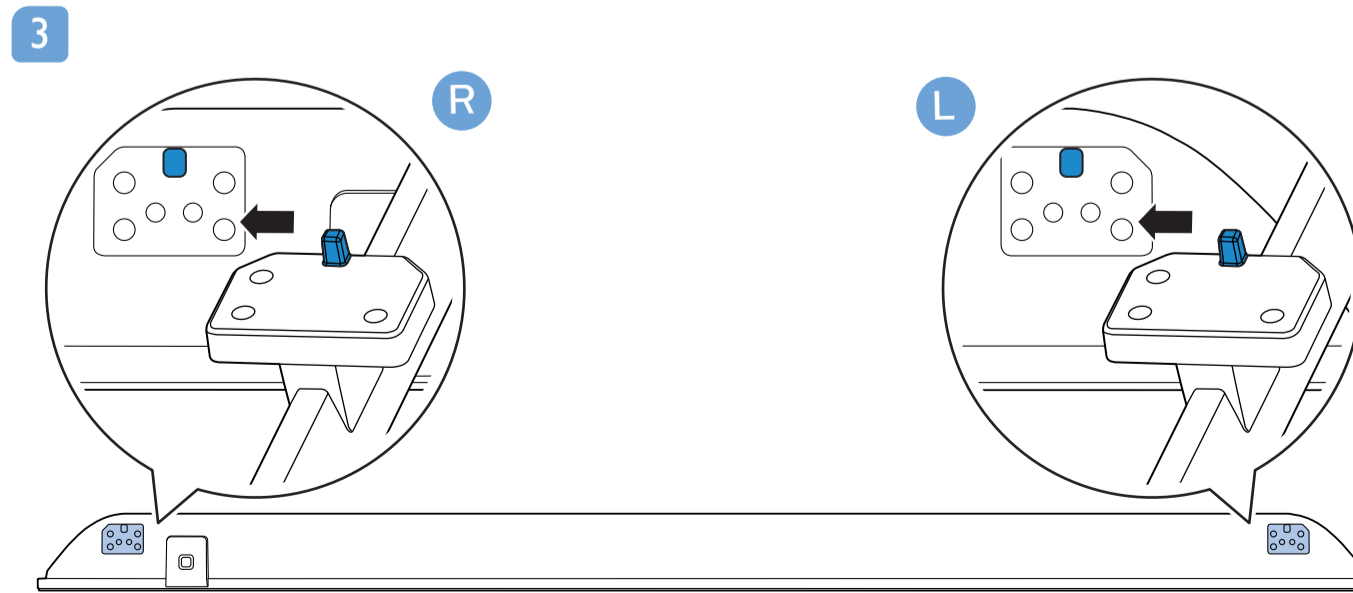
1



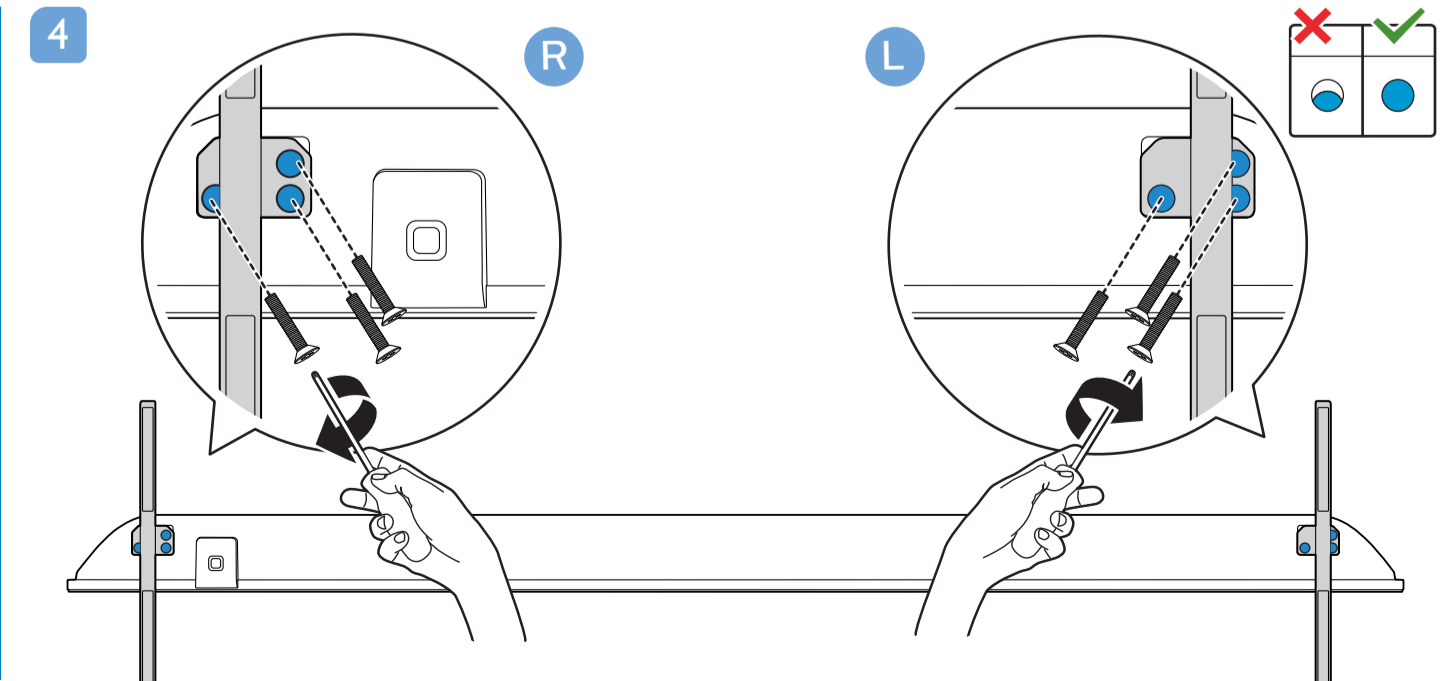
2



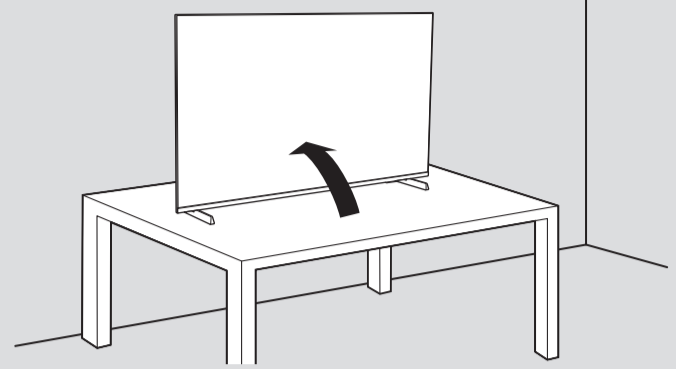
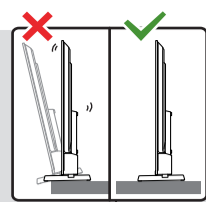
3



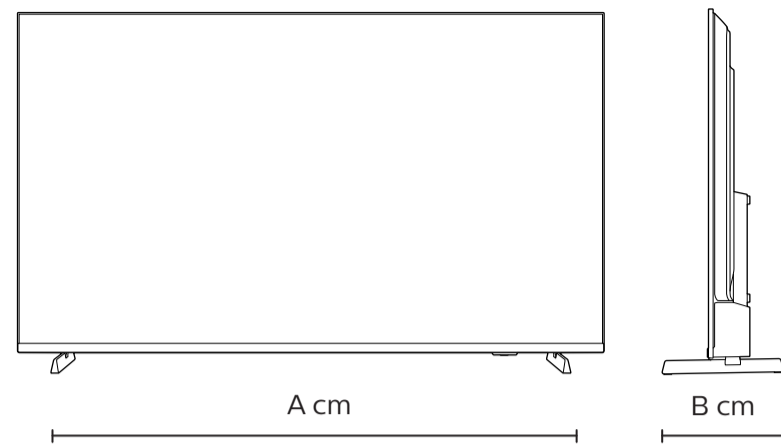
4



5



	A	B
50"	90.8	24.8
55"	99.1	24.8
65"	122.2	28.8
70"	138.6	35.0



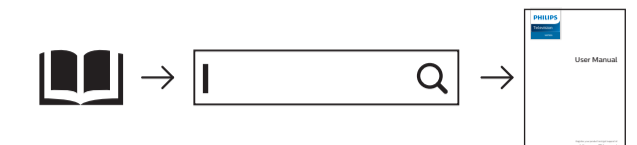
English Read the safety instructions.
Português Leia as instruções de segurança.



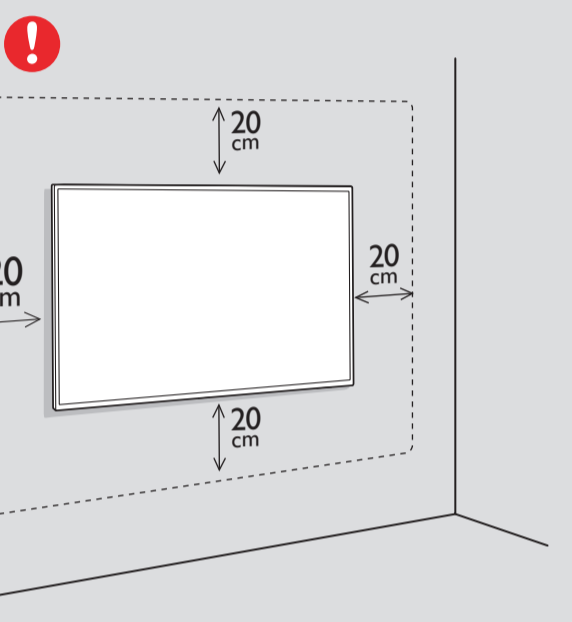
PRODUZIDO NO POLO INDUSTRIAL DE MANAUS
CONHEÇA A AMAZONIA
IMPRESSO NA CHINA



Registre seu produto e obtenha suporte em www.philips.com/TVsupport

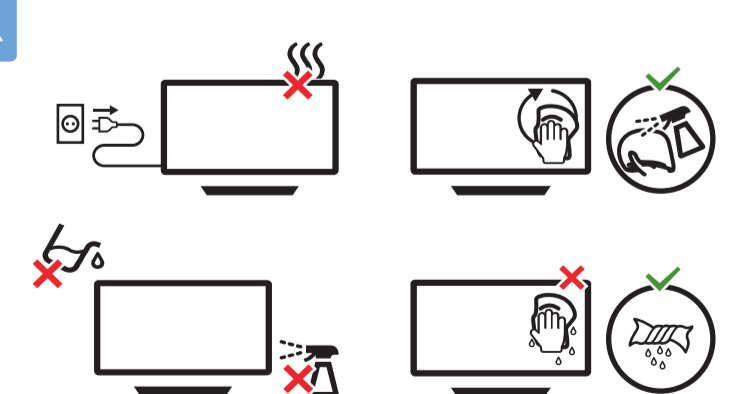
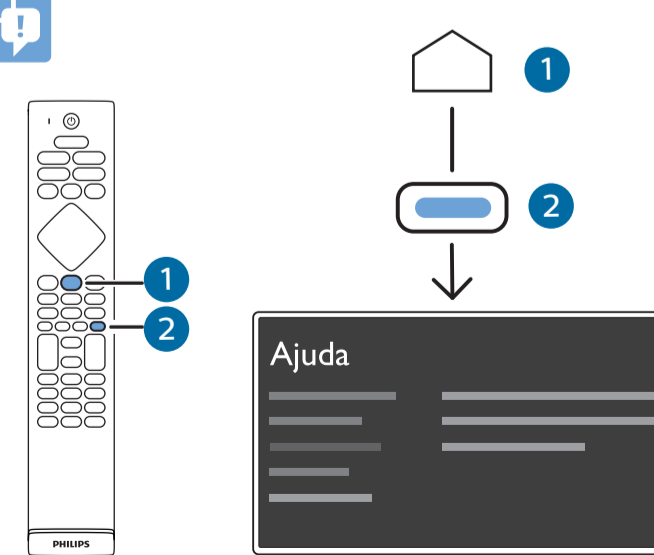
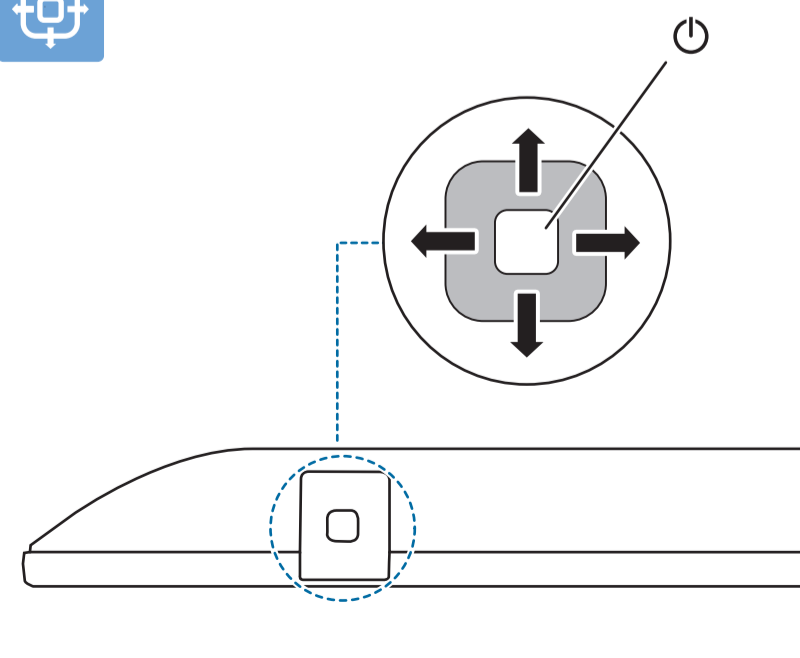
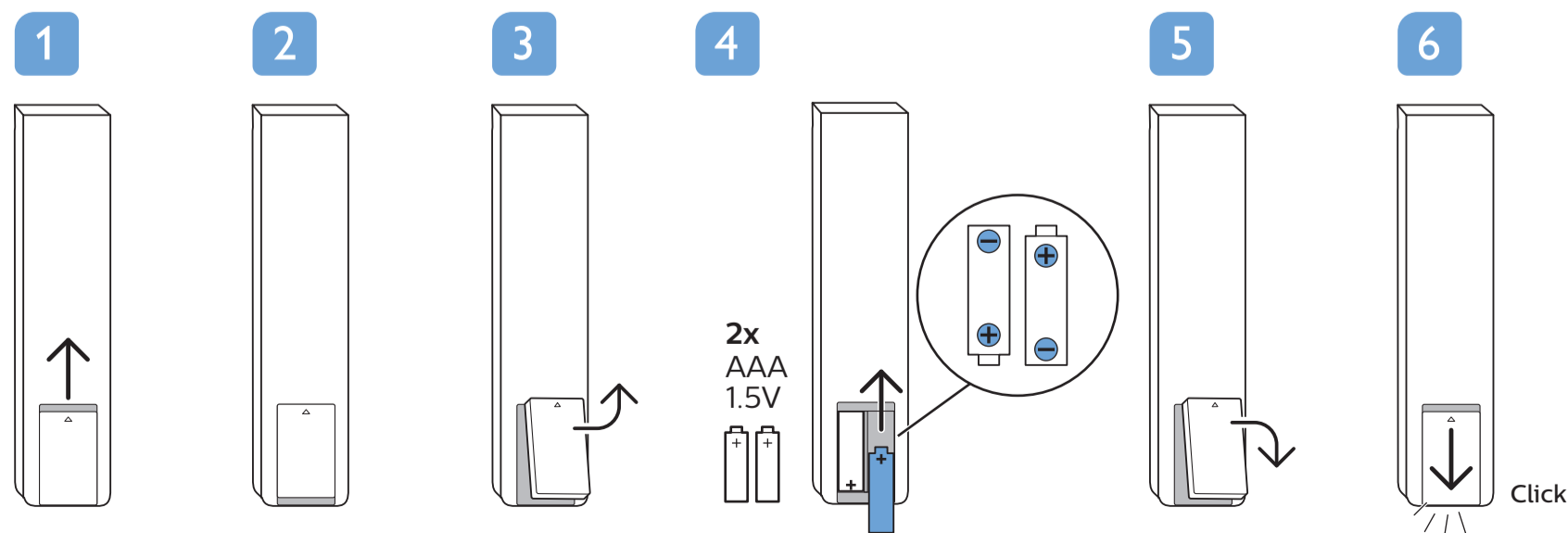
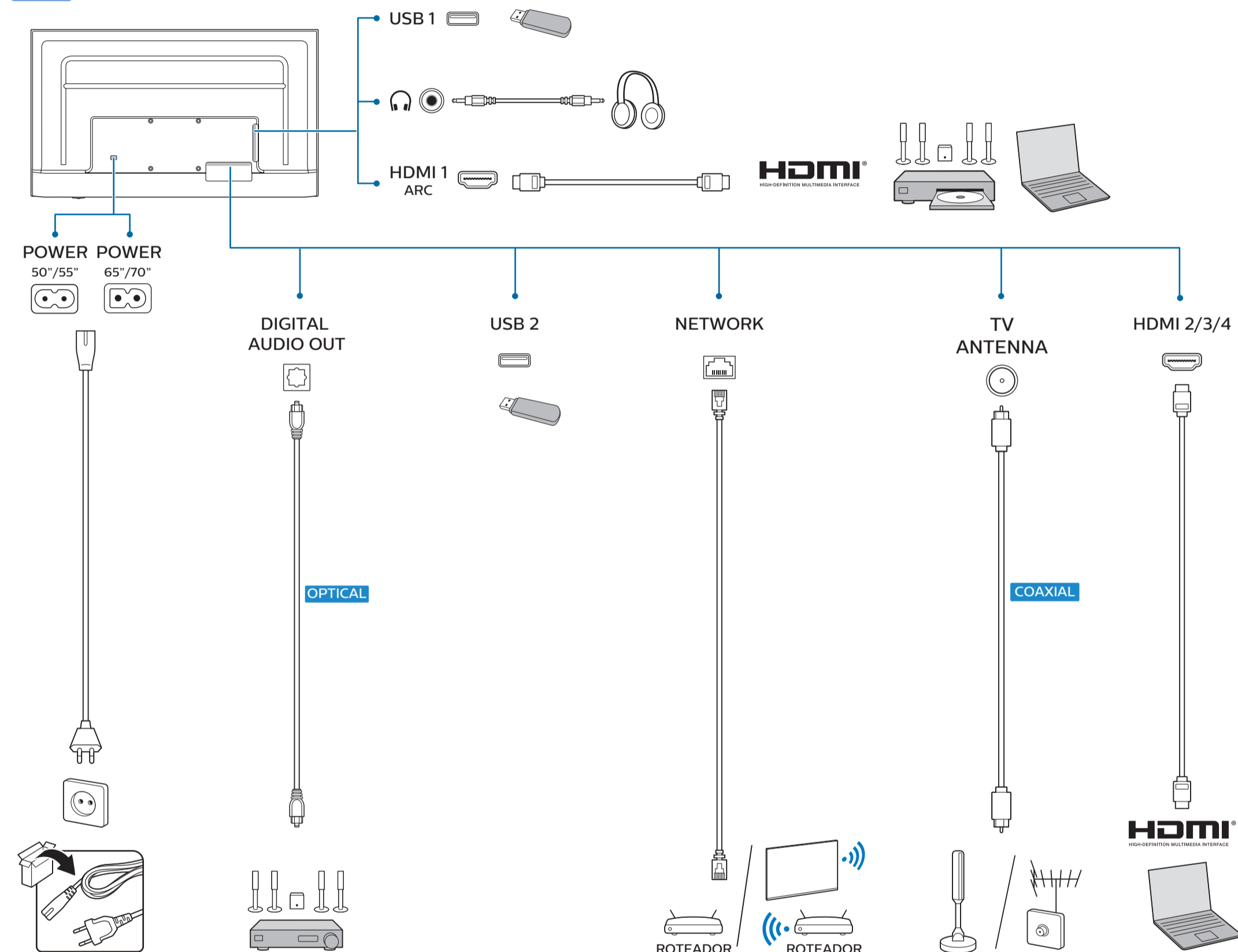
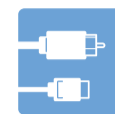
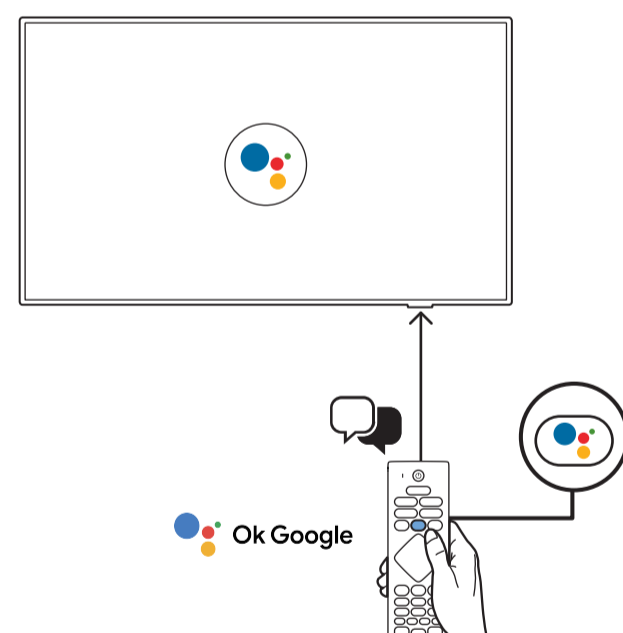
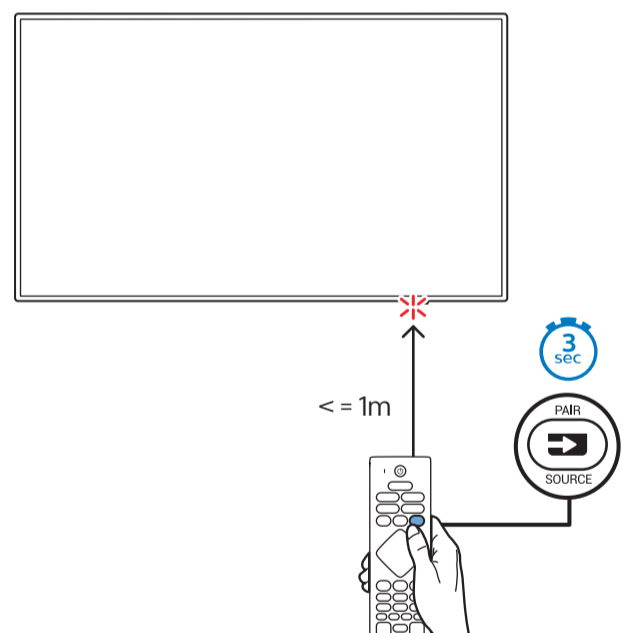
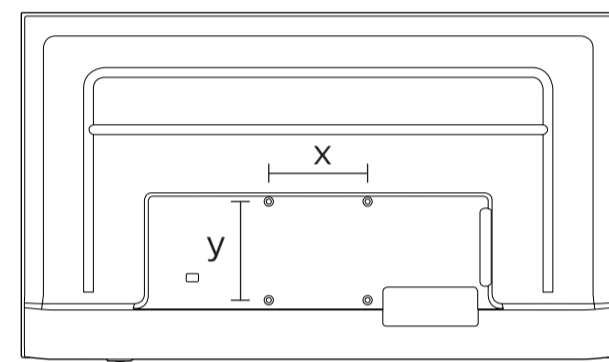
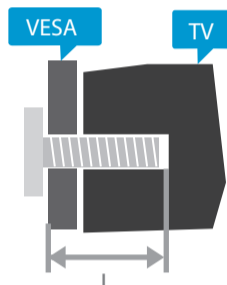


B



VESA (x, y)

- 50" 100x200mm M6 (L: 18mm~22mm) 126 cm
- 55" 200x300mm M6 (L: 14mm~16mm) 139 cm
- 65" 300x300mm M6 (L: 18mm~22mm) 164 cm
- 70" 300x300mm M8 (L: 10mm~22mm) 177 cm



All registered and unregistered trademarks are property of their respective owners. Specifications are subject to change without notice. Philips and the Philips' shield emblem are trademarks of Koninklijke Philips N.V. and are used under license from Koninklijke Philips N.V. This product has been manufactured by and is sold under the responsibility of TP Vision Europe B.V. and TP Vision Europe B.V. is the warrantor in relation to this product. 2021© TP Vision Europe B.V. All rights reserved. www.philips.com/welcome