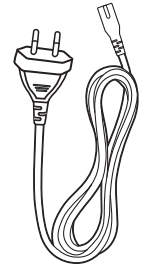
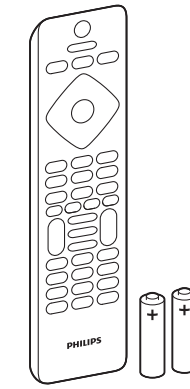
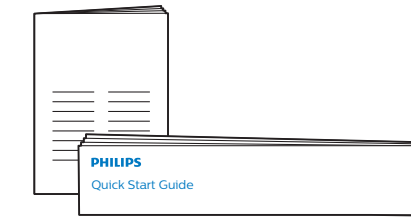
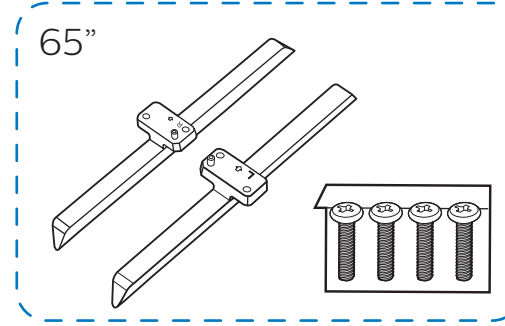
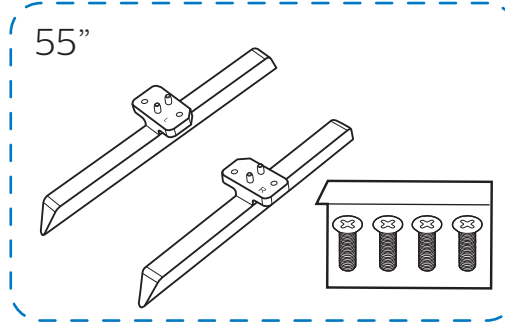
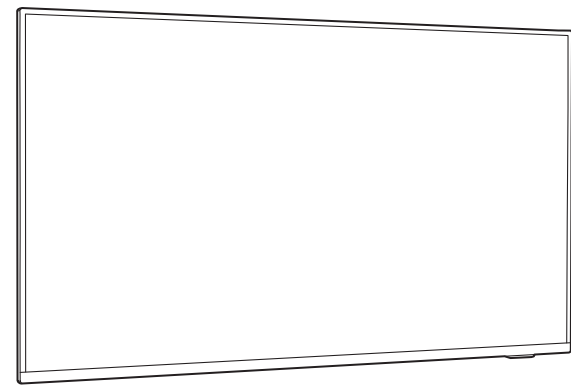




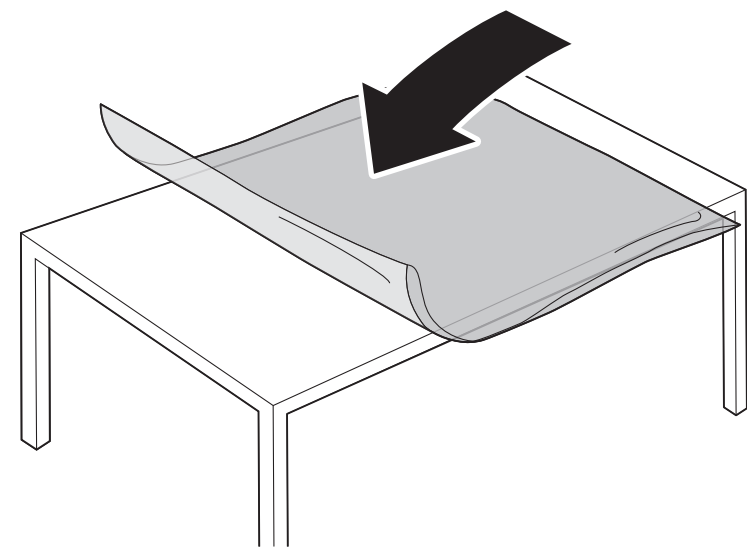
55PUD6794/55
65PUD6794/55

Guía Rápida

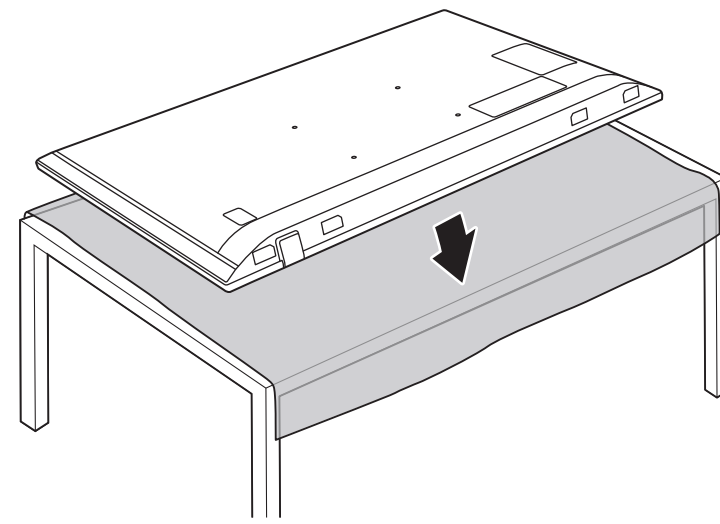


A1
55"

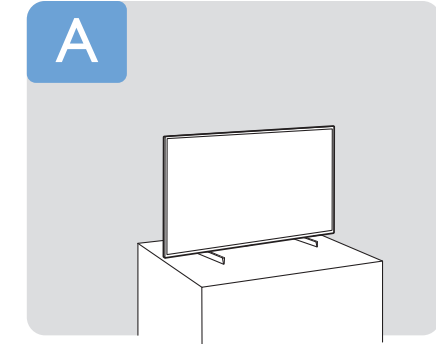
1



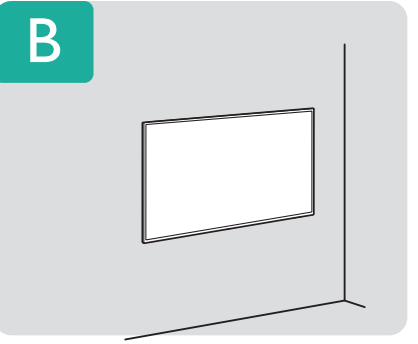
2



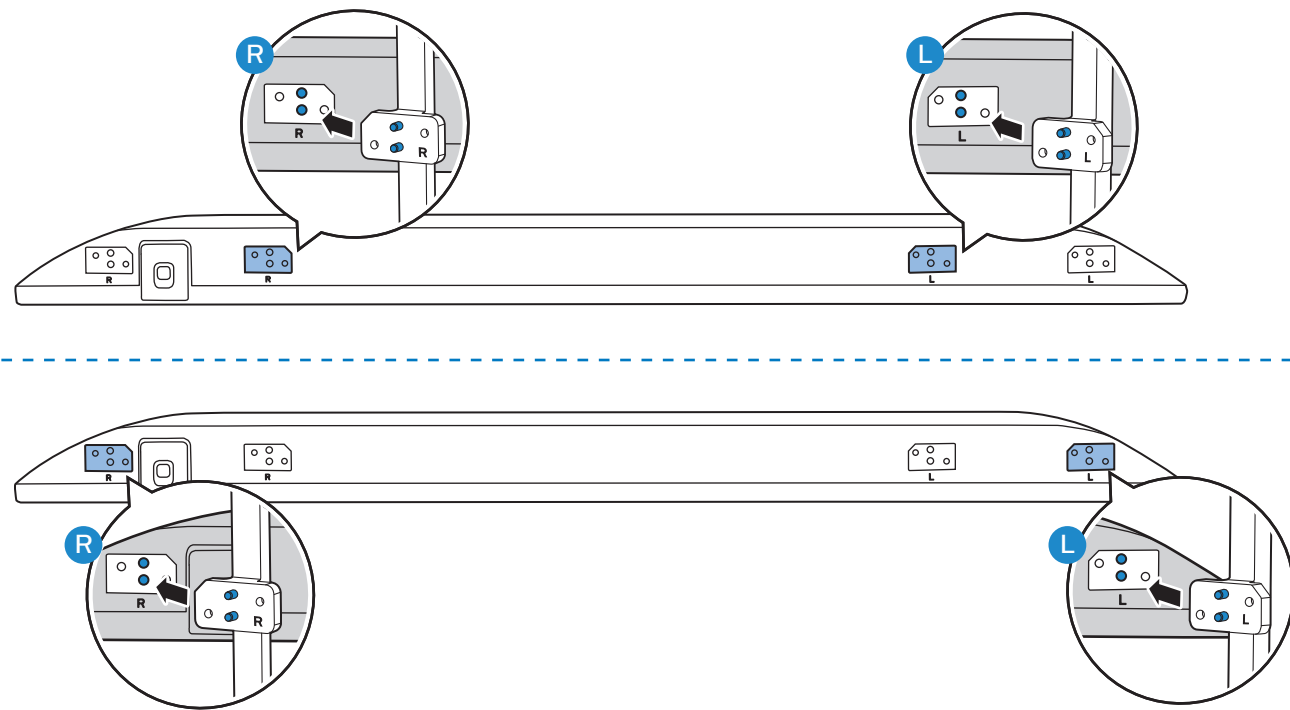
A



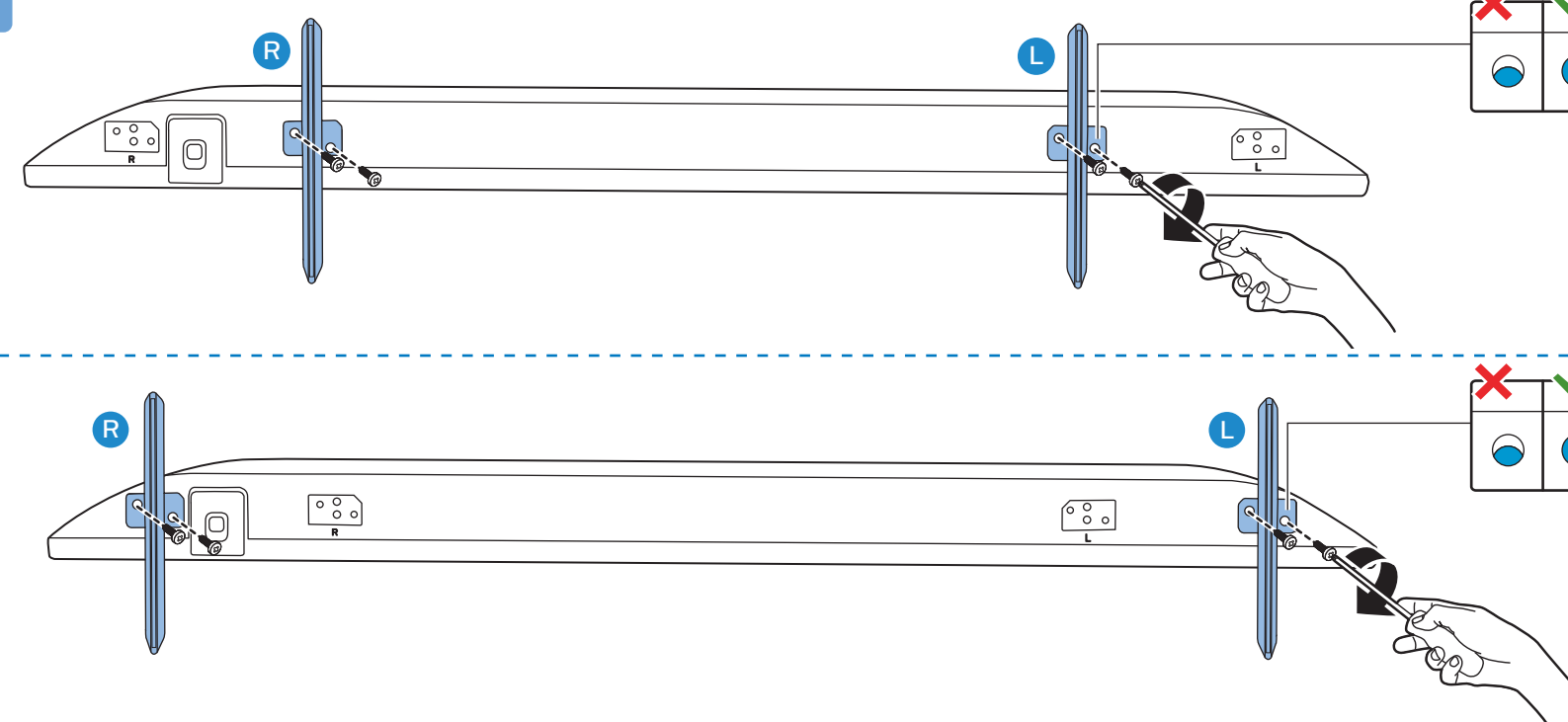
B



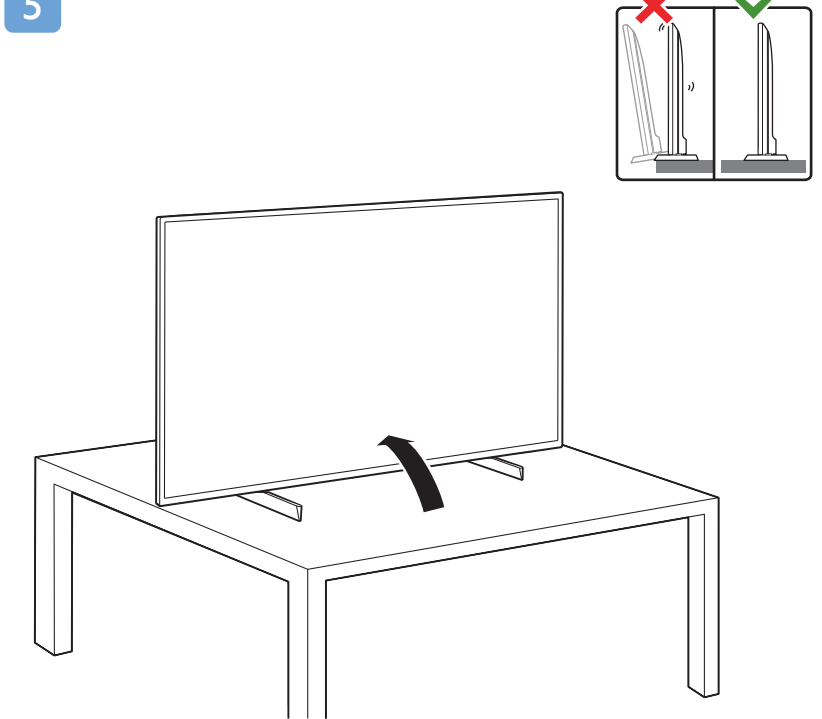
3



4

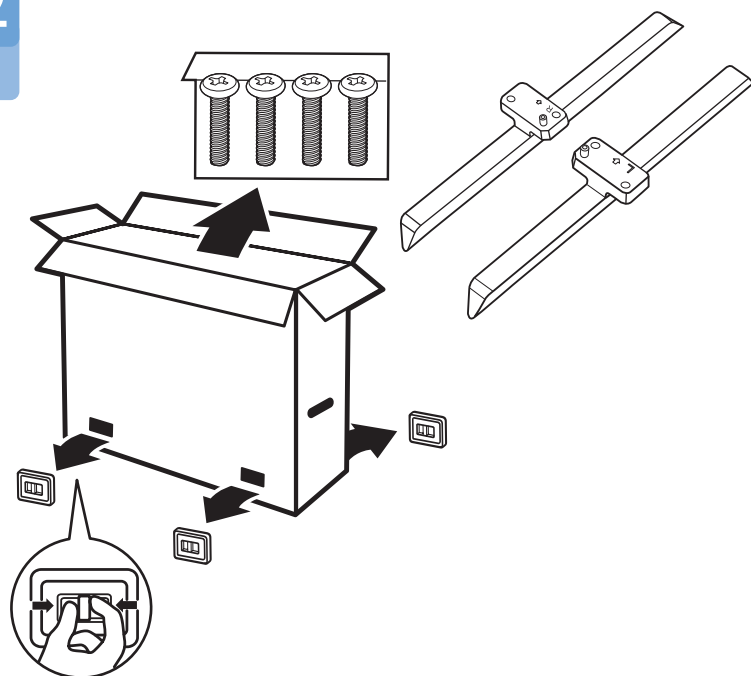


5

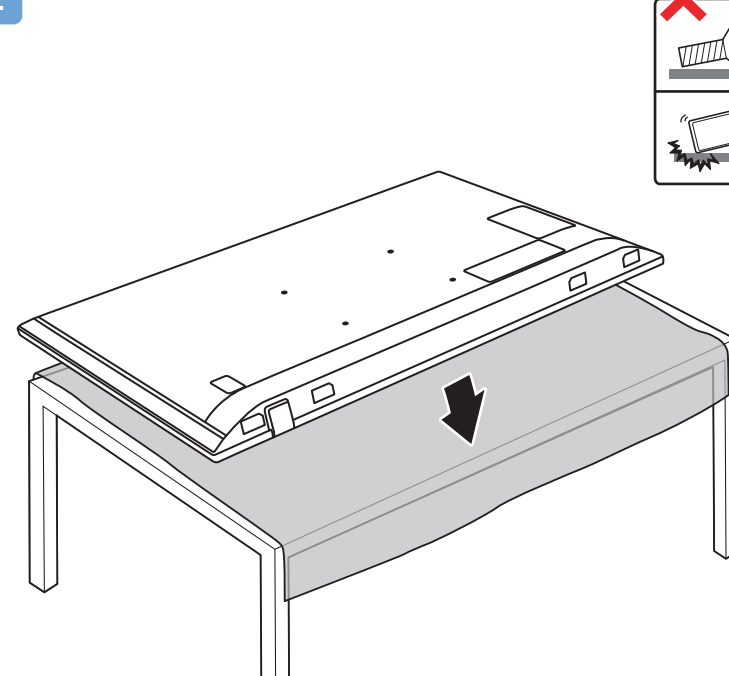


A2
65"

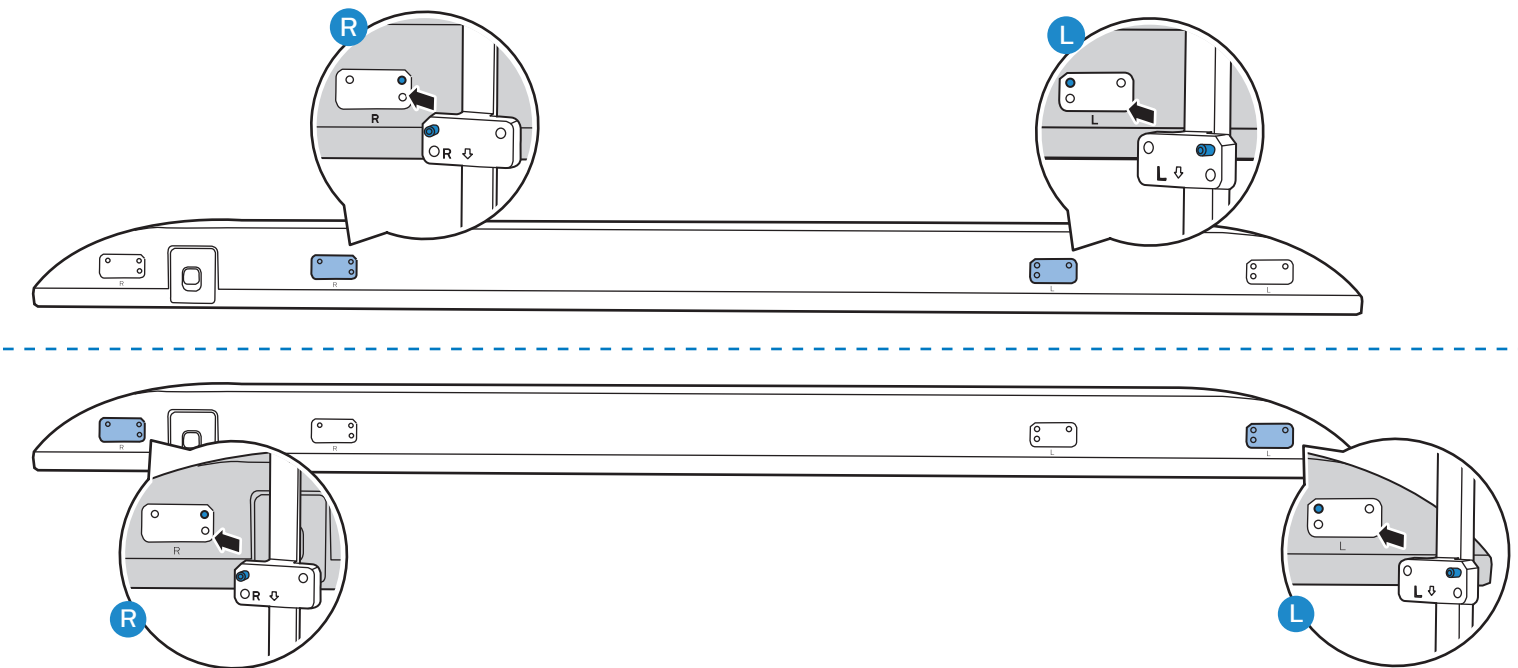
1

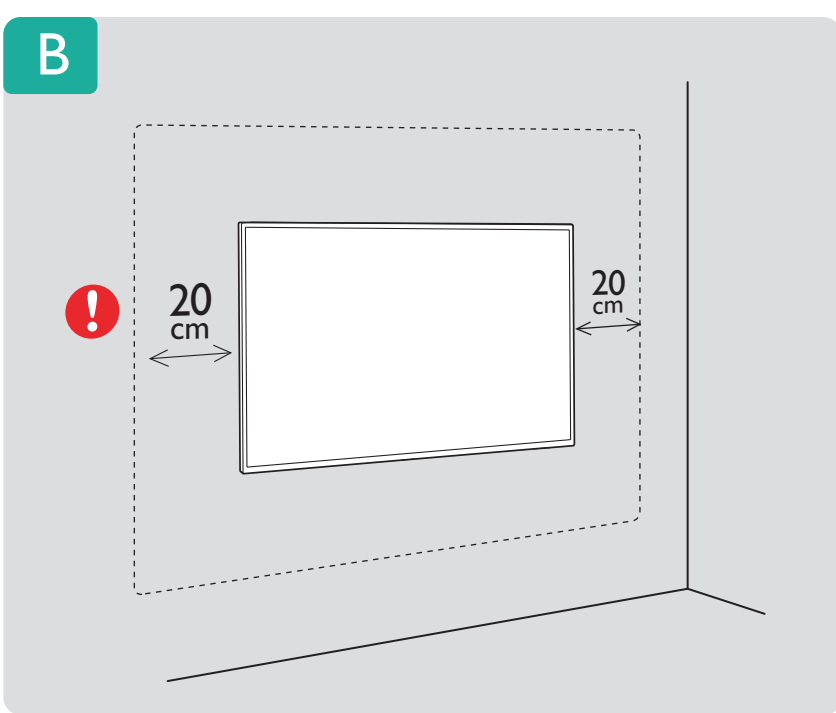
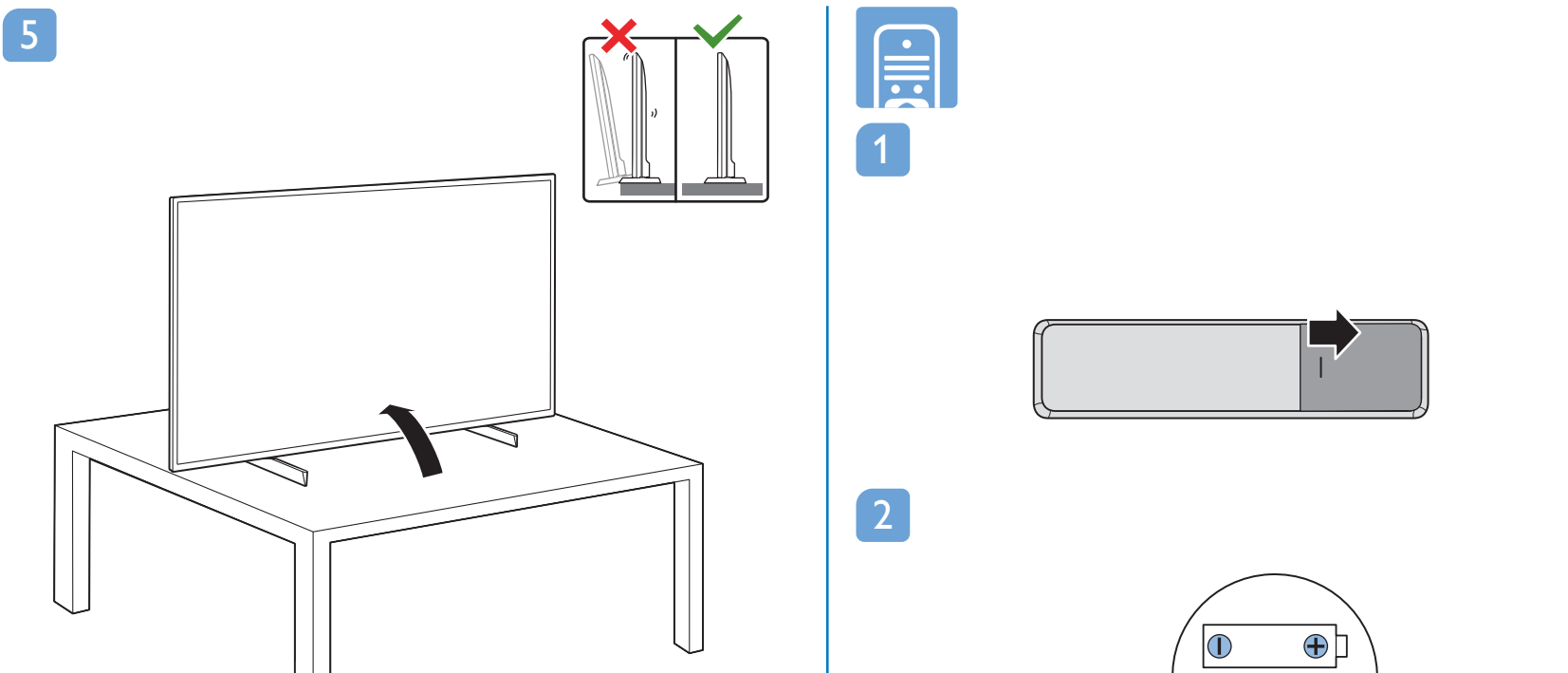
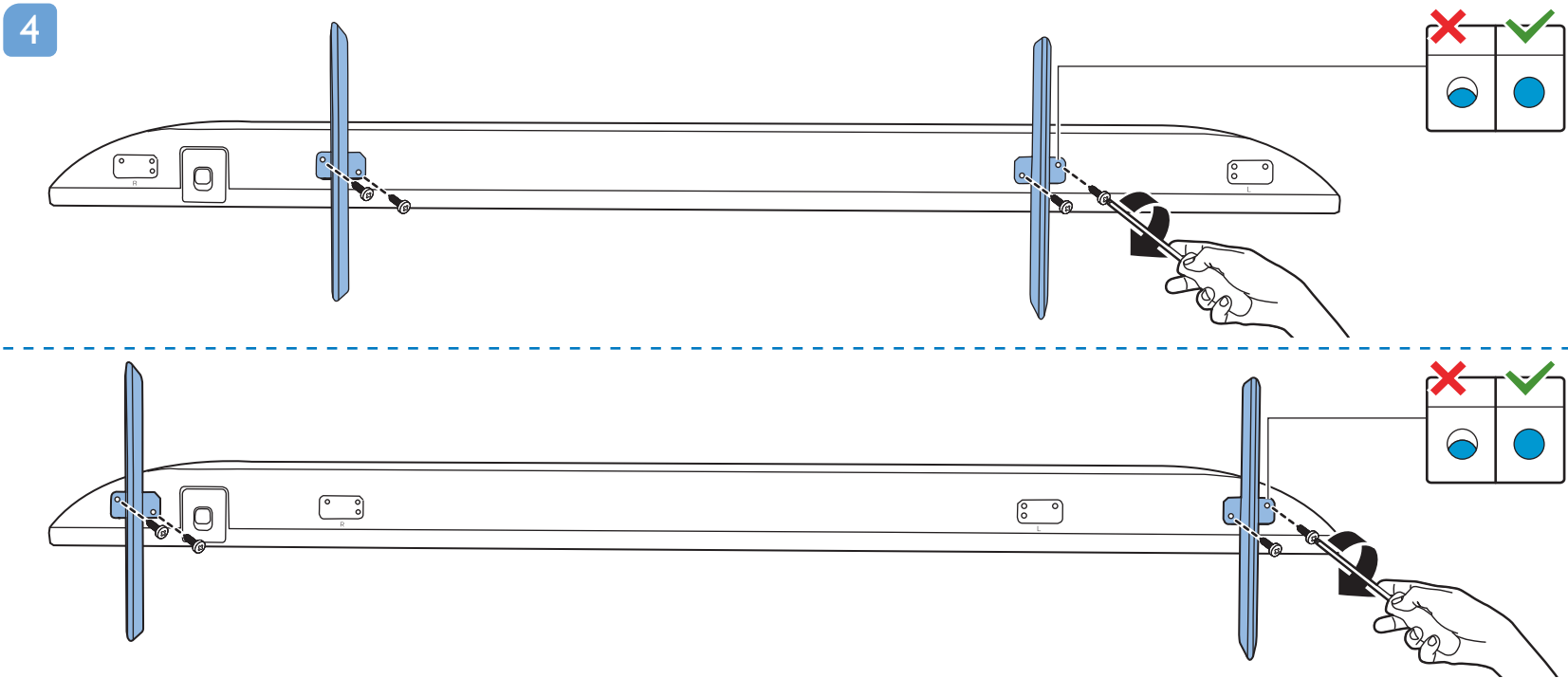


2



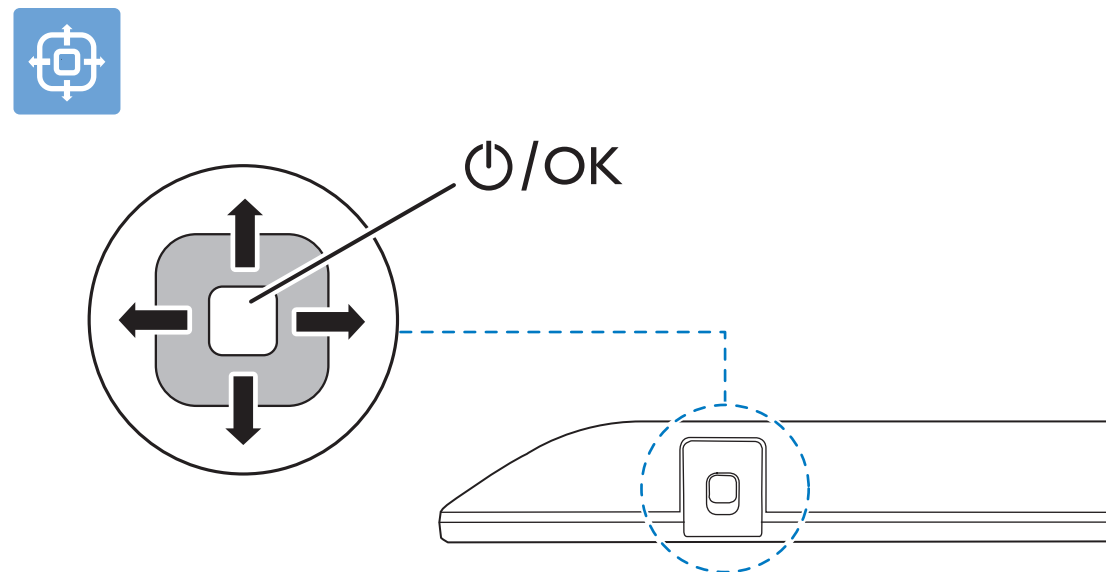
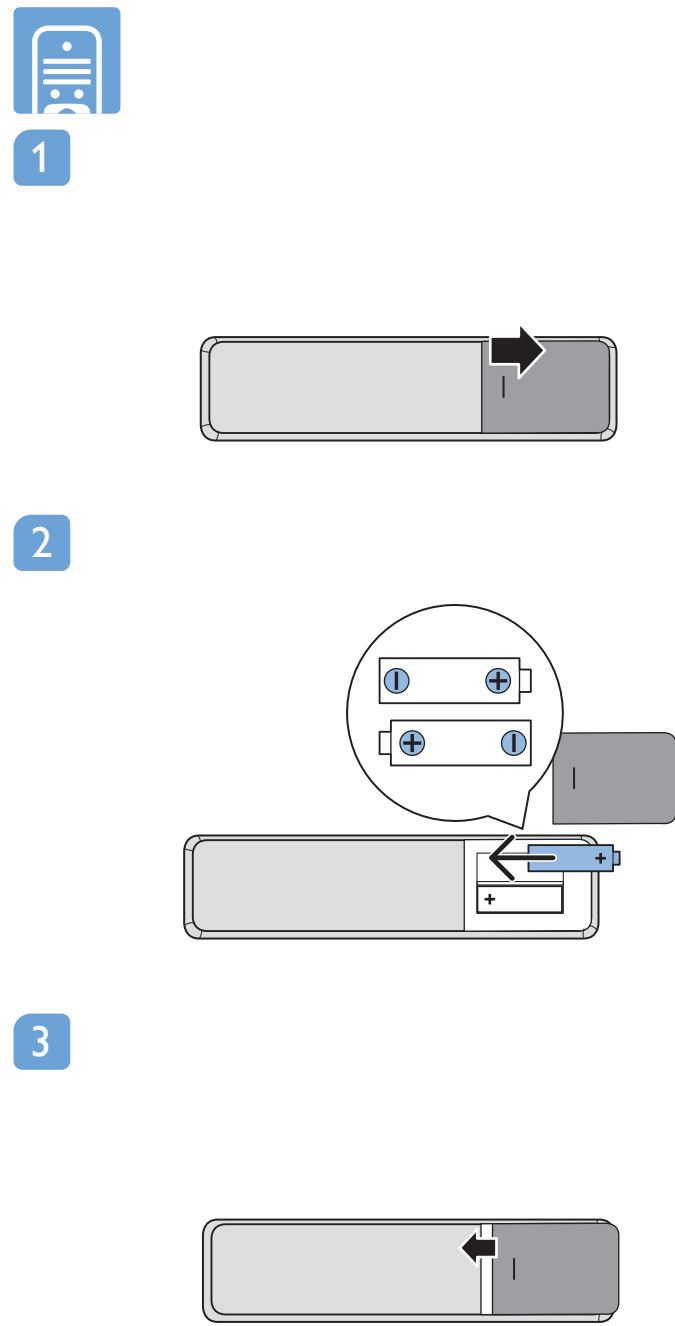
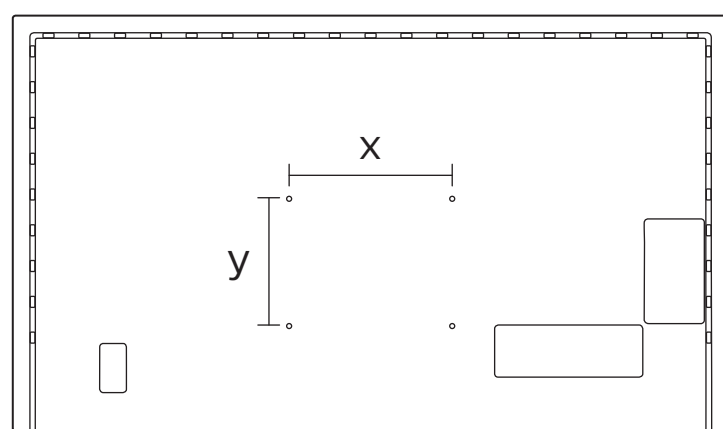
3





VESA (x, y)

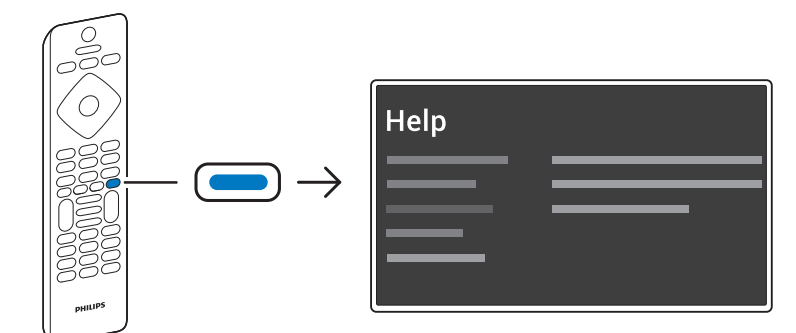
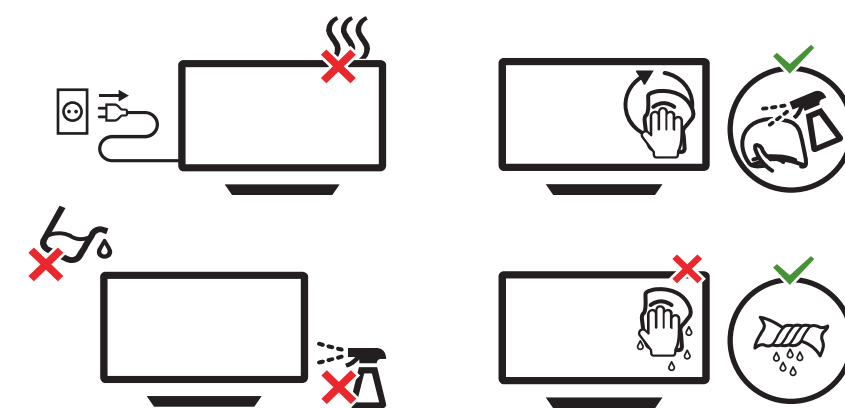
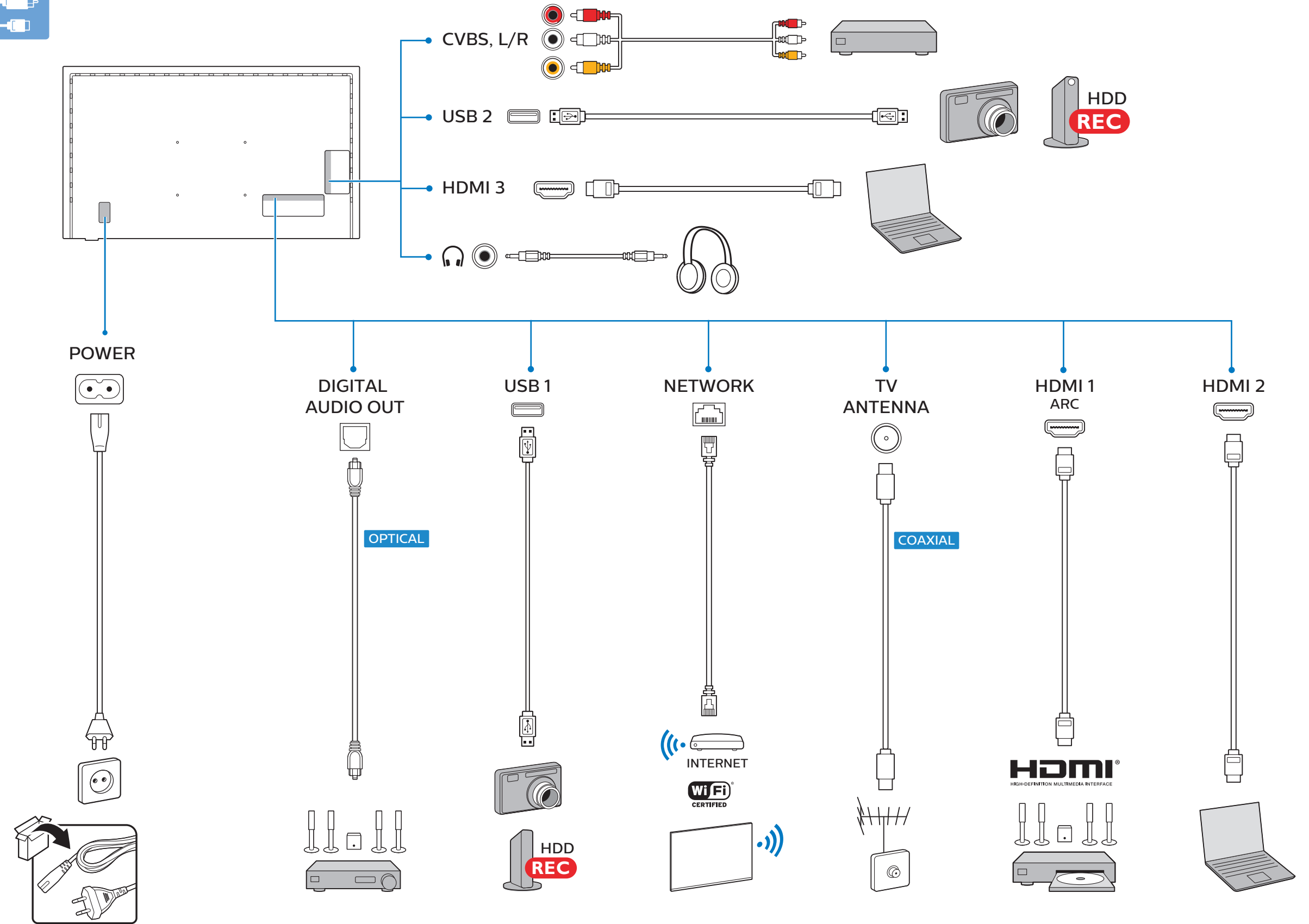
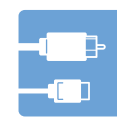
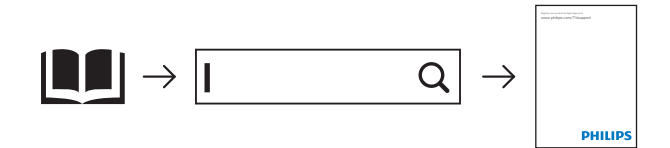
55" 300x200mm M6 139 cm
 65" 400x200mm M6 164 cm



English Read the safety instructions.
Español Lea la información de seguridad.



Registre su producto y obtenga asistencia en www.philips.com/TVsupport



All registered and unregistered trademarks are property of their respective owners. Specifications are subject to change without notice. Philips and the Philips' shield emblem are trademarks of Koninklijke Philips N.V. and are used under license from Koninklijke Philips N.V. 2019 © TP Vision Europe B.V. All rights reserved. philips.com