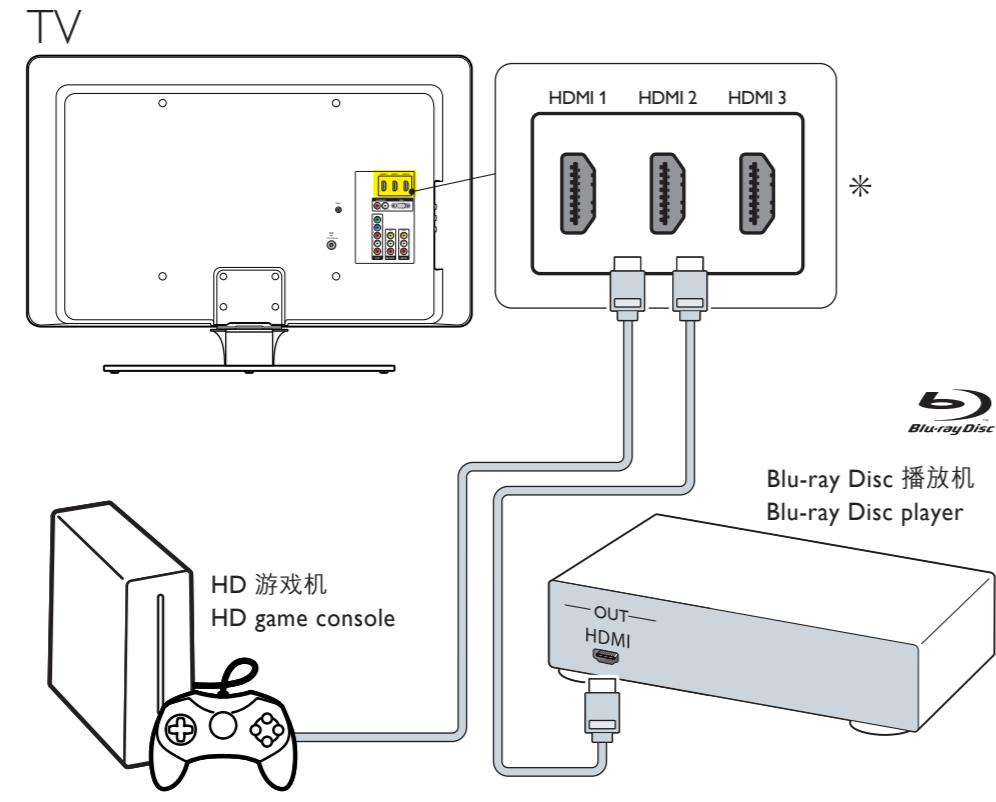




Blu-ray Disc 播放机、HD 游戏机

● Blu-ray Disc player, HD game console

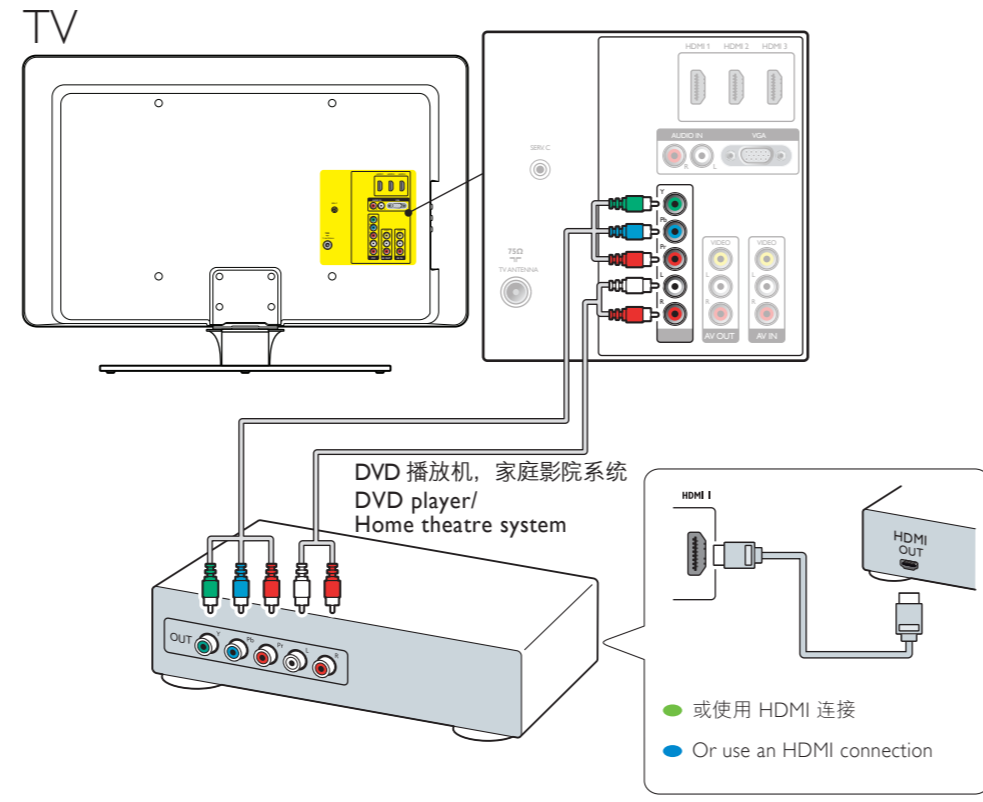


警告
连接设备前请断开电源线。
Caution
Disconnect the mains cord before connecting devices.

* 并非所有机型上都有此功能
● Not available on all models

DVD 播放机，家庭影院系统

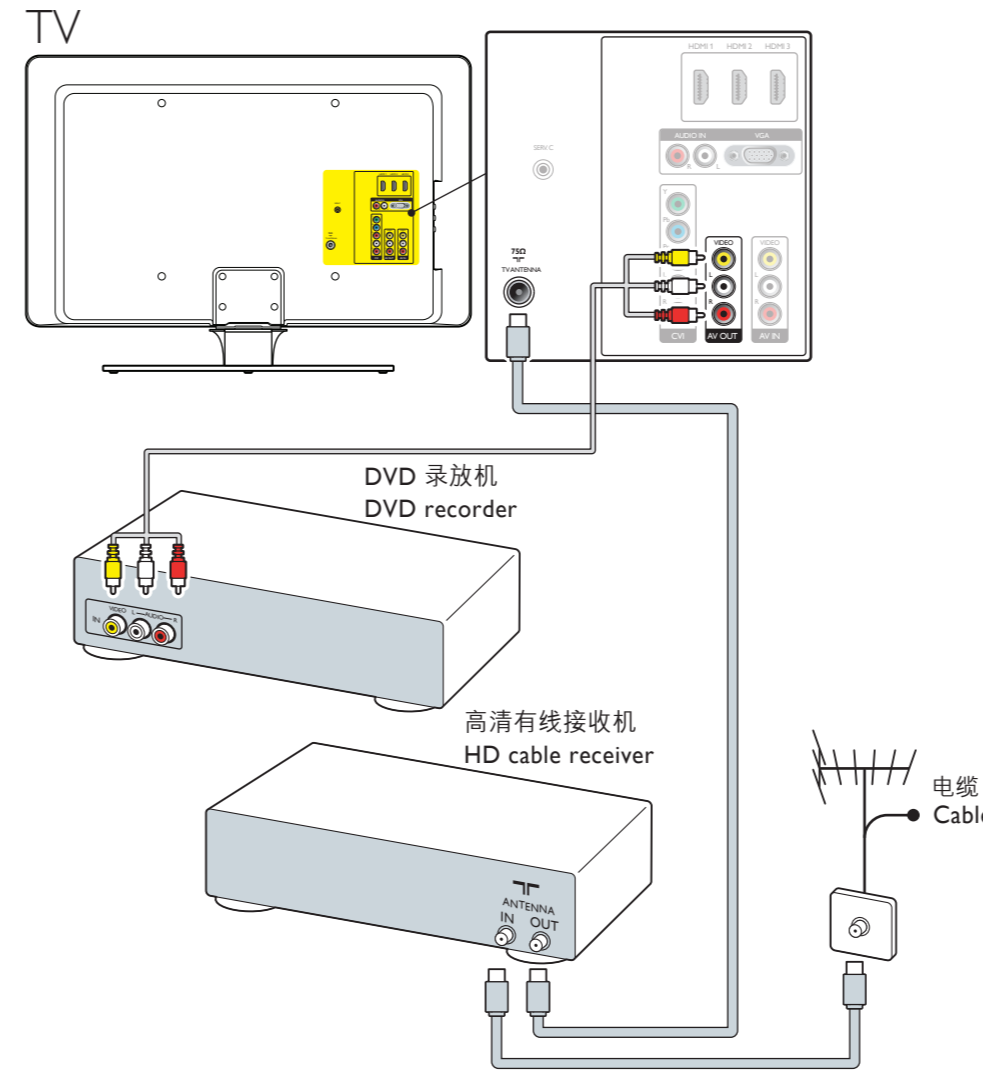
● DVD player, home theatre system



或使用 HDMI 连接
● Or use an HDMI connection

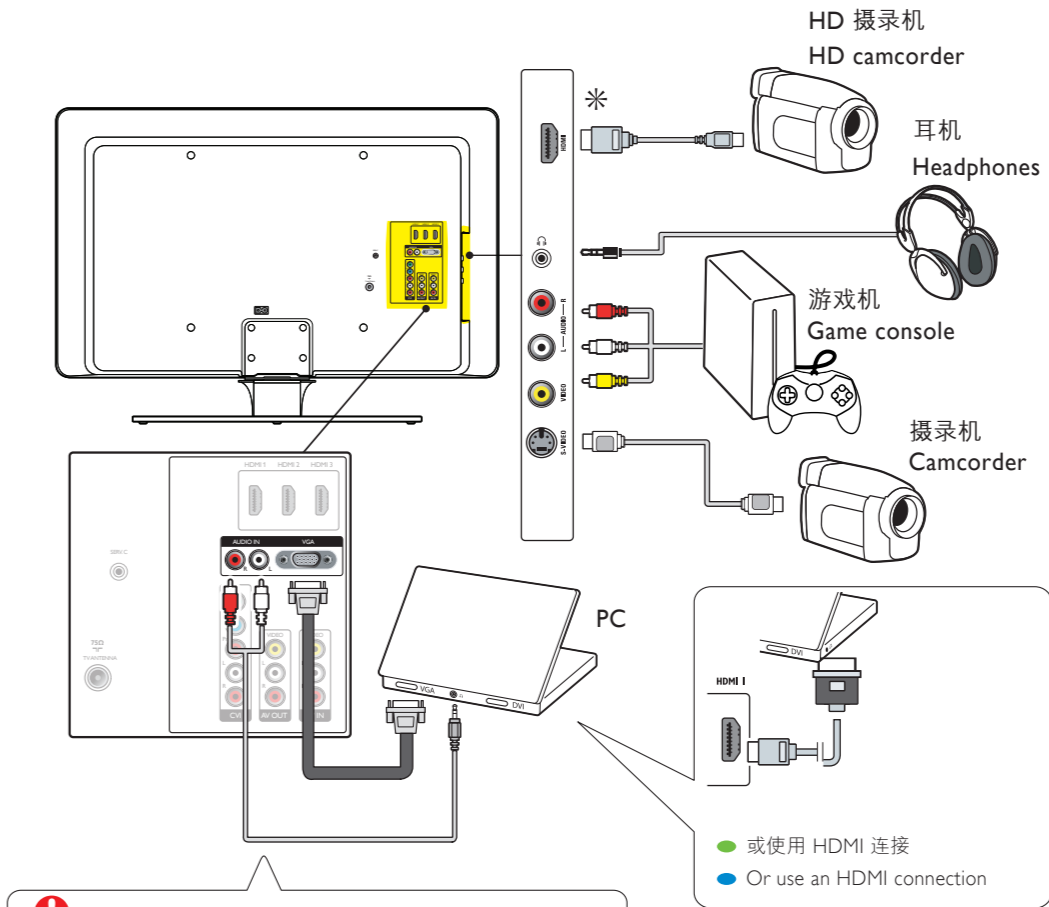
DVD 录放机、有线接收机

● DVD recorder, cable receiver



HD 摄录机、耳机、游戏机、摄录机、PC

● HD camcorder, headphones, game console, camcorder, PC



警告
连接 PC 前，请将 PC 显示器的刷新率设置为 60Hz。
Caution
Before connecting a PC, set the PC monitor refresh rate to 60Hz.

* 并非所有机型上都有此功能
● Not available on all models

© www.philips.com/welcome
上注册产品并获得支持

快速入门

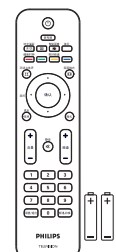
ZH 设定

EN Installation

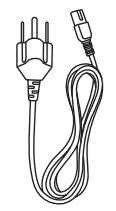


包装清单

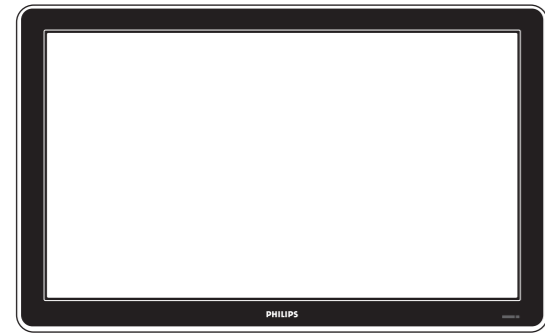
● What's in the box



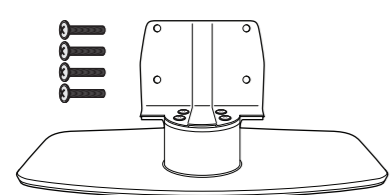
● 遥控器和 2 节 AAA 电池 (7 号)
● Remote control and 2 x AAA batteries



● 电源线
● Mains cord



● 电视机
● Television

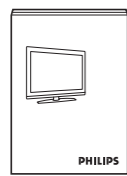


● 电视机座和 4 个螺栓*
● TV stand and 4 x bolts*

* 某些机型出厂时已安装
● Factory mounted on some models



● 快速入门指南
● Quick Start Guide

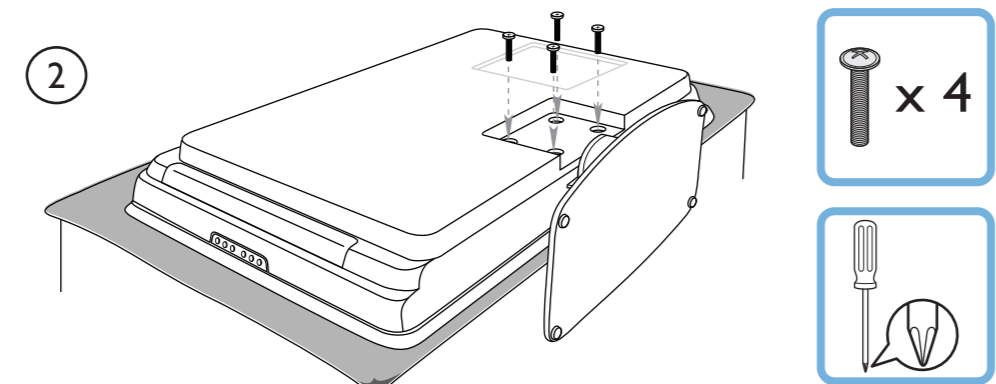
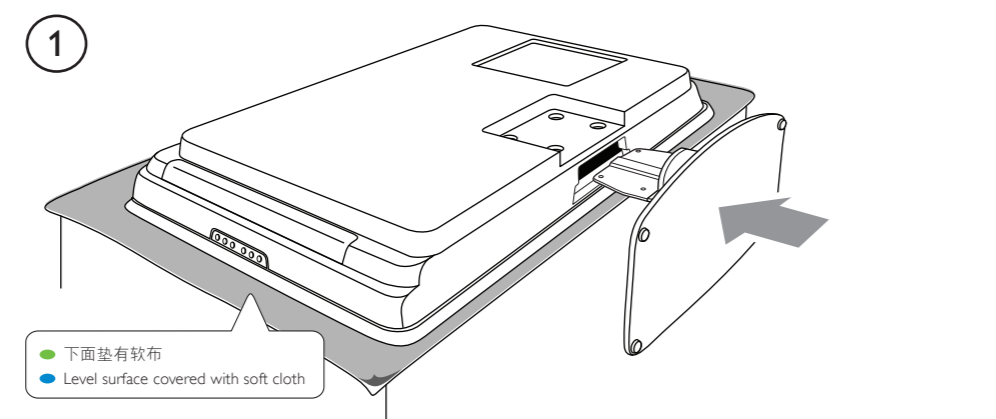


● 用户手册
● User Manual

电视机座安装*

● Stand mount the TV*

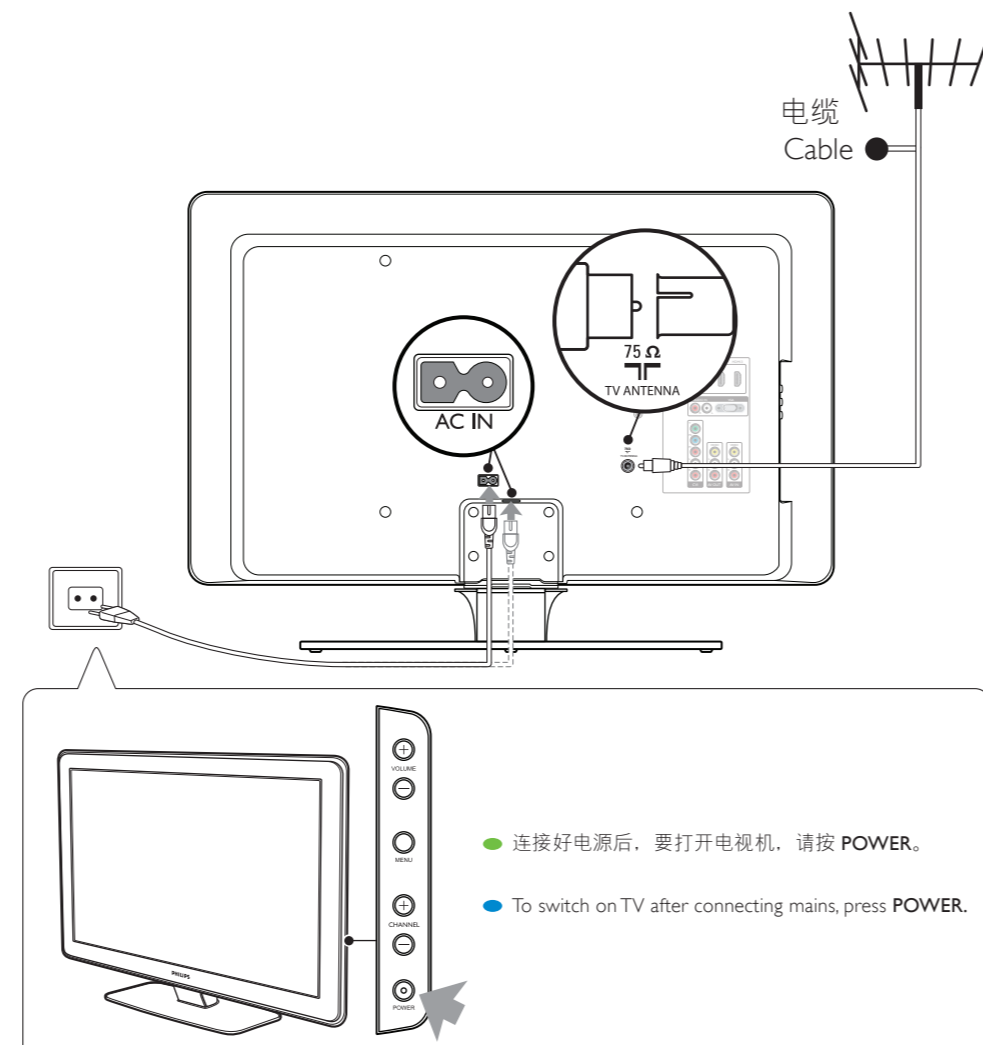
* 适用于没有安装电视机座的电视机。如果出厂时已安装，请拔下插头并旋转。
● Applicable to TVs without mounted stands. If factory mounted, remove plug to swivel.



● 要以壁挂方式安装电视机，请参阅《用户手册》
● To wall mount TV, refer to User Manual

连接电源*和天线

● Connect the mains* and antenna



* AC IN 的位置因电视机型号而异
● Position of AC IN varies according to TV model

流光溢彩* 设置

● Ambilight* setup

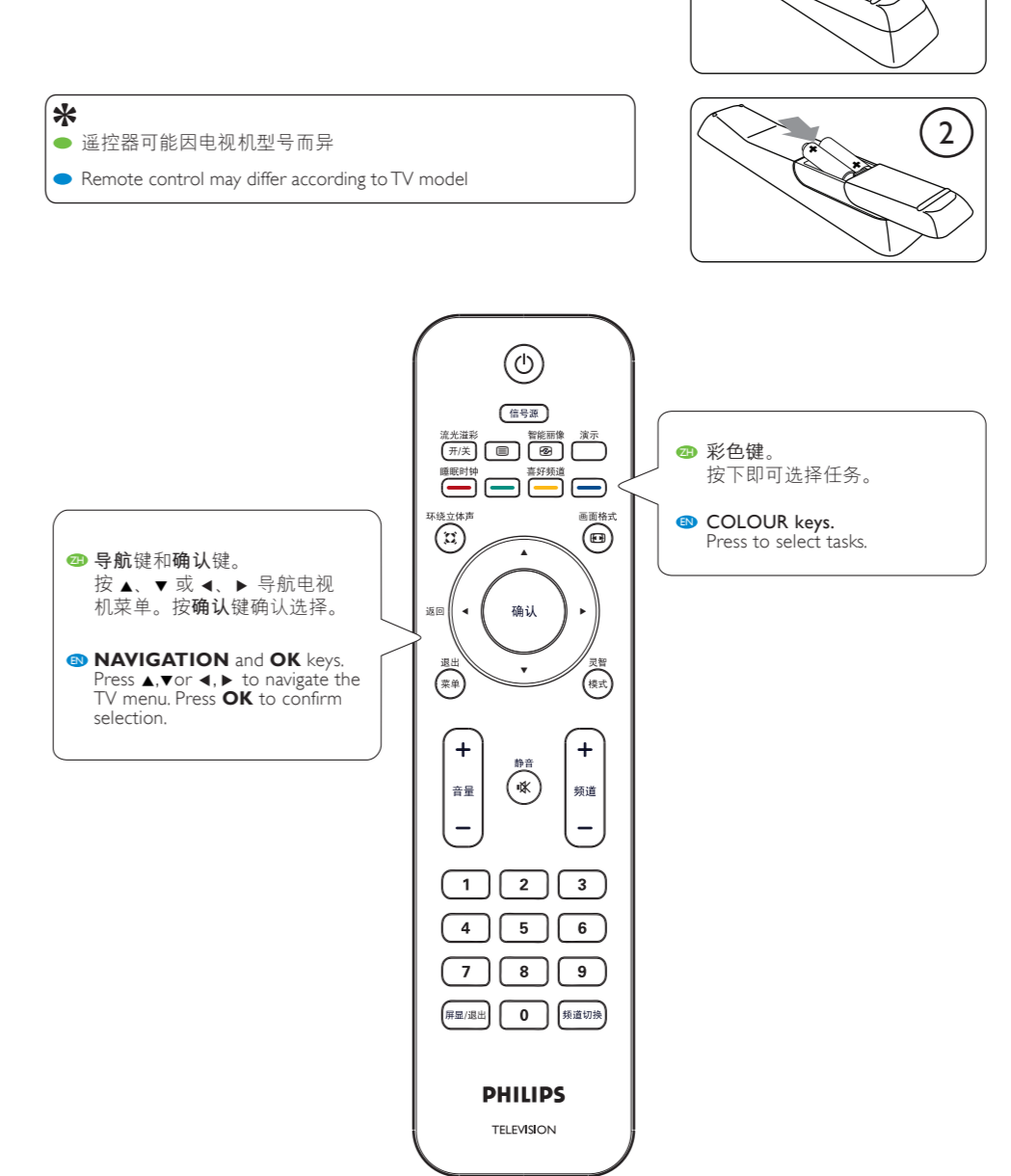


● 为了达到最佳的流光溢彩效果，请让电视机距离墙壁 10 至 20 厘米。在光线较暗的房间里，流光溢彩可以达到最佳效果。
● For the best Ambilight effect, position the TV 10 to 20cm away from the wall. Ambilight also works best in a room with dim lighting.

* 并非所有机型上都有此功能
● Not available on all models

使用遥控器*

● Use the remote control*



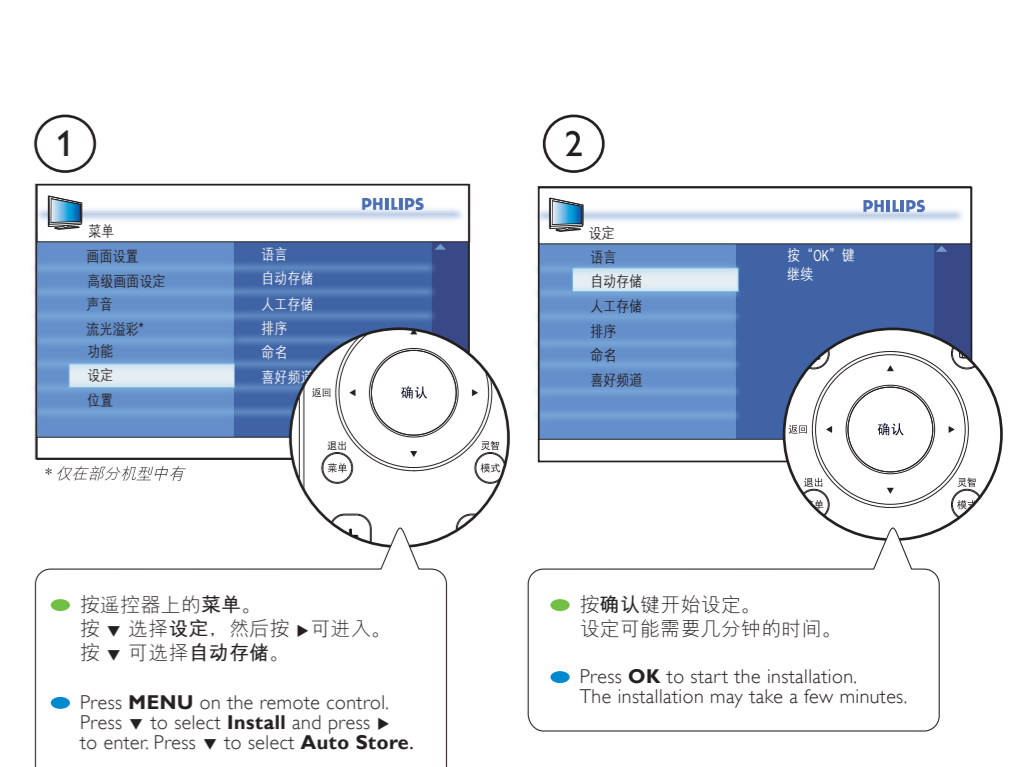
* 遥控器可能因电视机型号而异
● Remote control may differ according to TV model

● 导航键和确认键。
按 ▲、▼、◀、▶ 导航电视机菜单，按确认键确认选择。
● NAVIGATION and OK keys.
Press ▲▼◀▶ to navigate the TV menu. Press OK to confirm selection.

● 彩色键。
按下即可选择任务。
● COLOUR keys.
Press to select tasks.

频道设定

● Channel installation



● 按遥控器上的菜单。
按 ▼ 选择设定，然后按 ▶ 可进入。
按 ▼ 可选择自动存储。
● Press MENU on the remote control.
Press ▼ to select Install and press ▶ to enter Press ▼ to select Auto Store.

● 按确认键开始设定。
设定可能需要几分钟的时间。
● Press OK to start the installation.
The installation may take a few minutes.

Specifications are subject to change without notice
Trademarks are the property of Koninklijke Philips Electronics N.V.
or their respective owners
2008 © Koninklijke Philips Electronics N.V. All rights reserved.
www.philips.com

3139 125 40093