

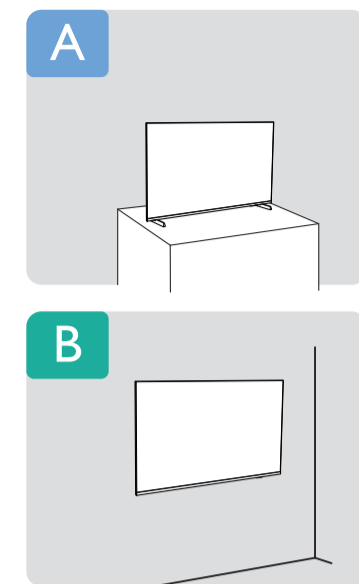
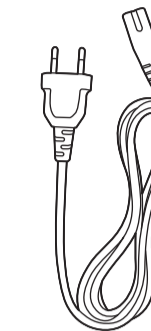
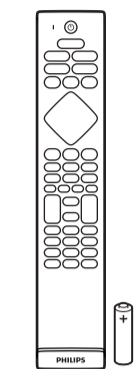
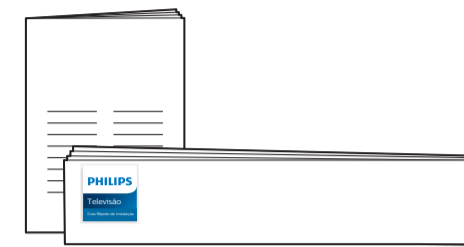
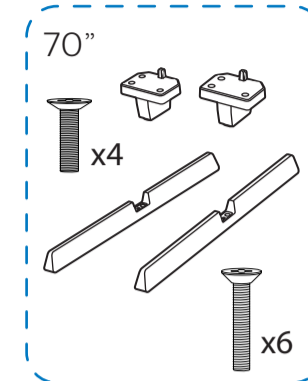
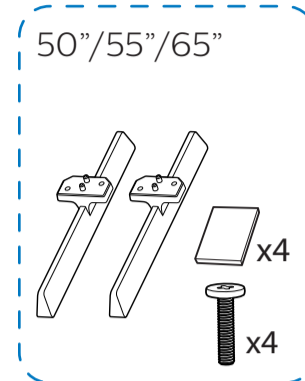
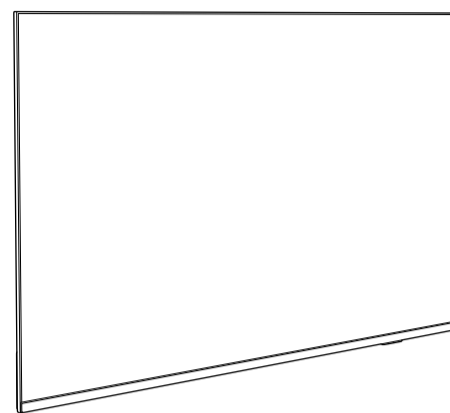
PHILIPS

Televisão

Guia Rápido de Instalação

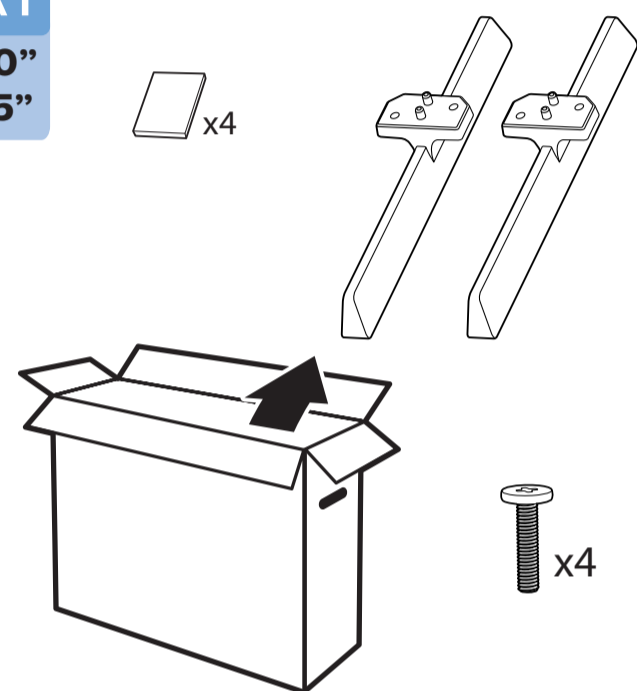
50PUG7406/78
55PUG7406/78

65PUG7406/78
70PUG7406/78

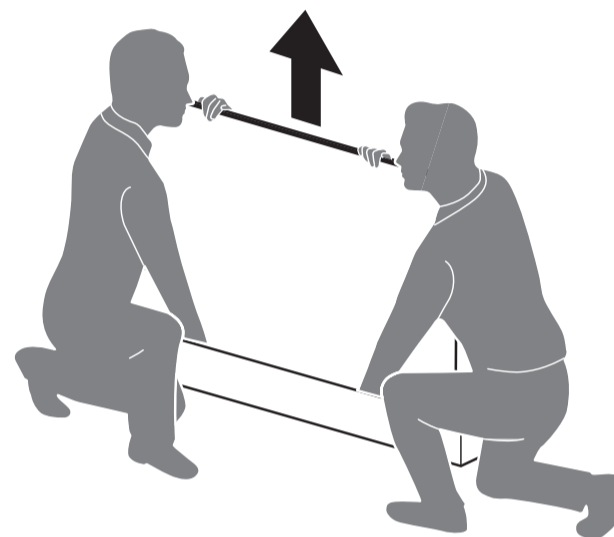
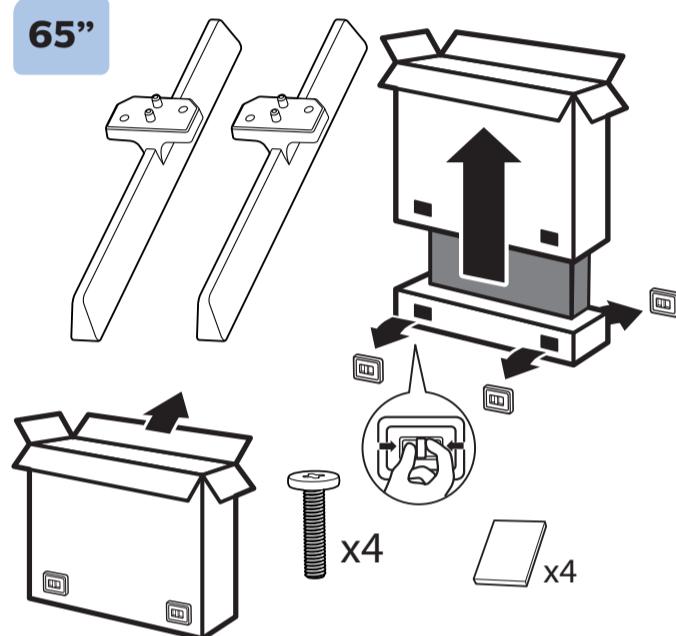


A1

50"
55"

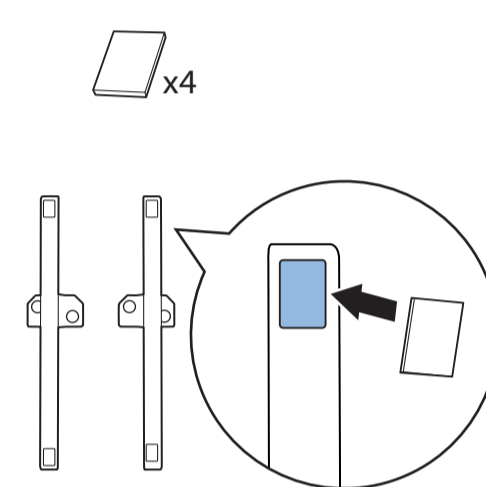


65"

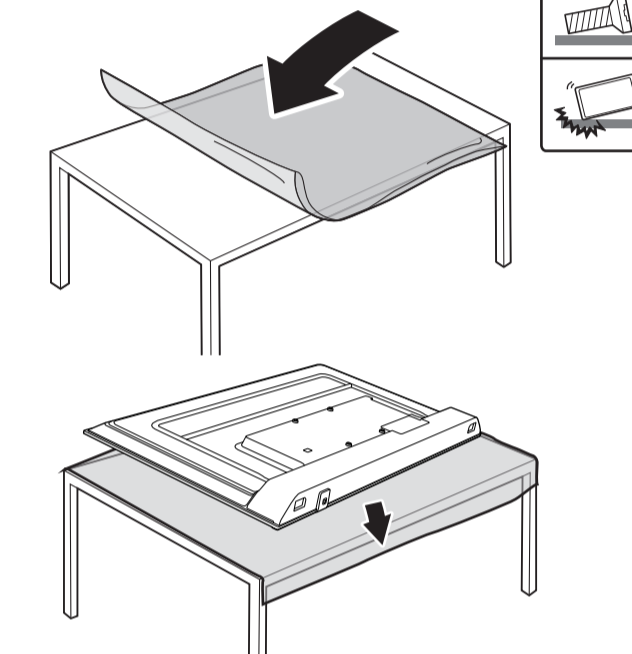


1

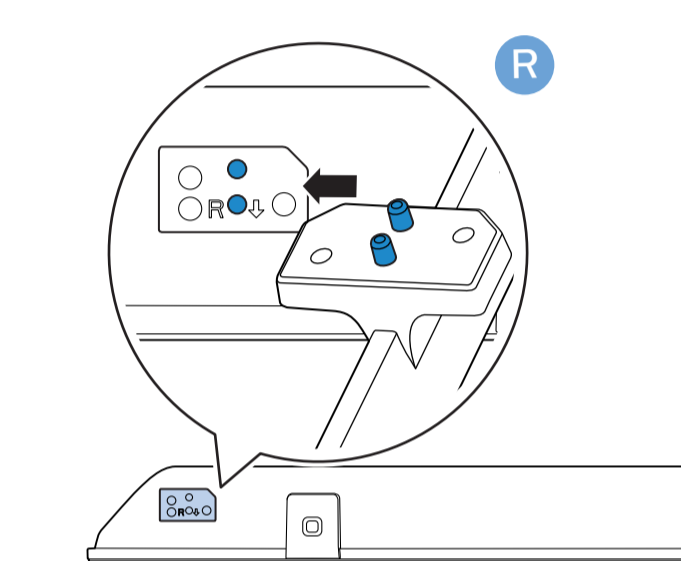
50"
55"
65"



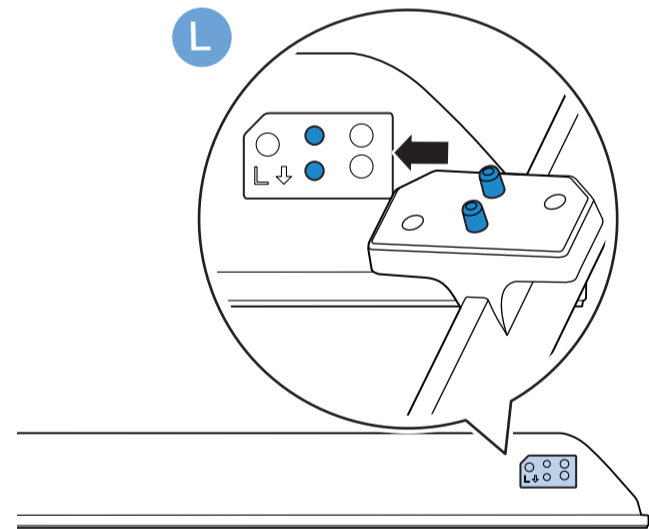
2



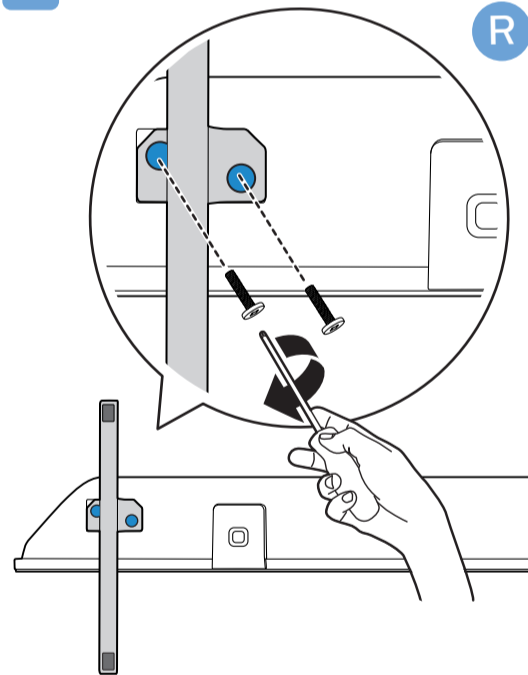
3



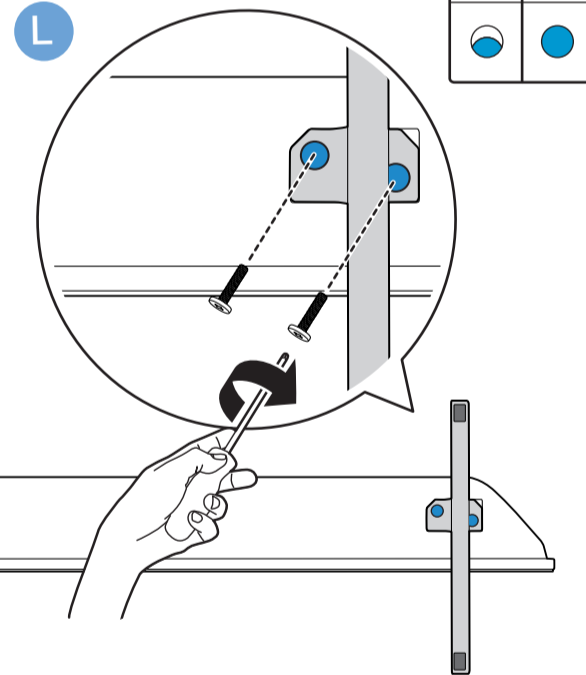
L



4

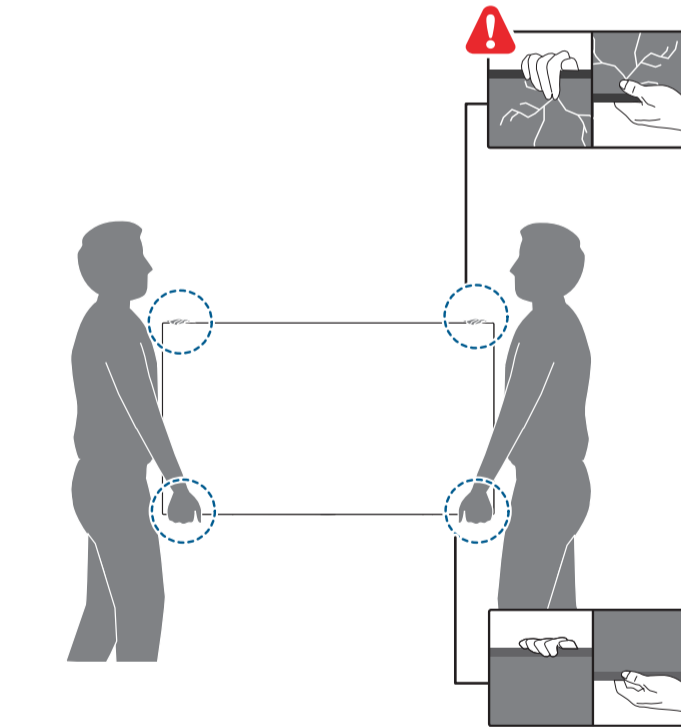
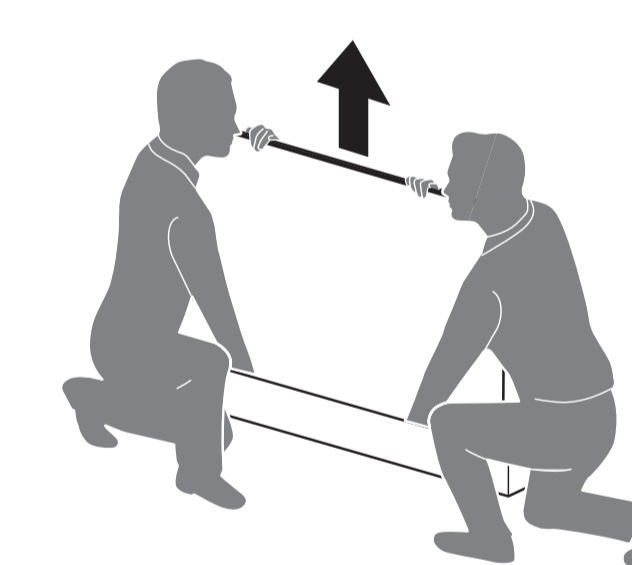
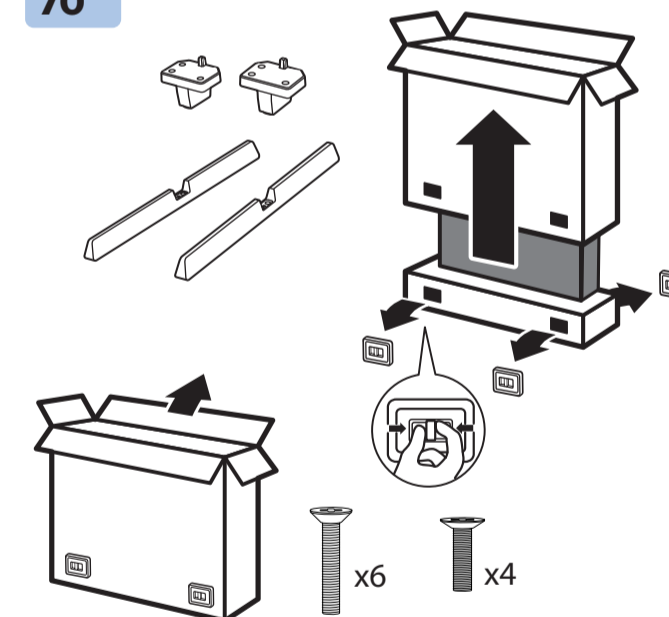


L

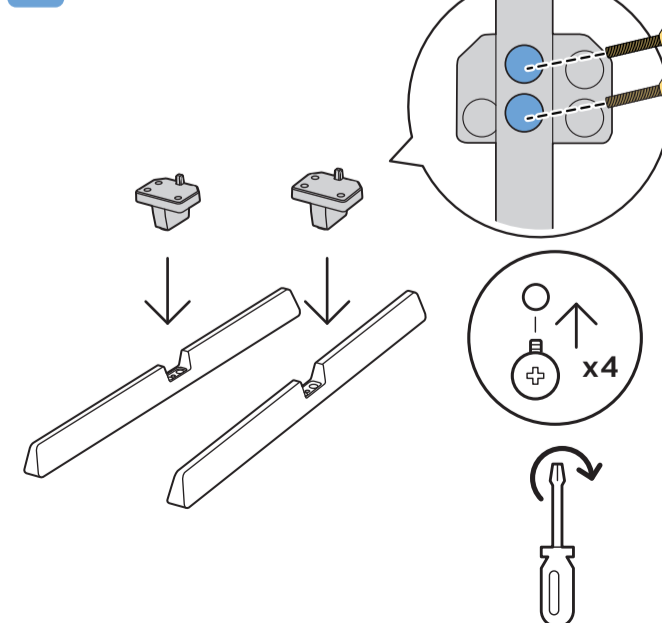


A2

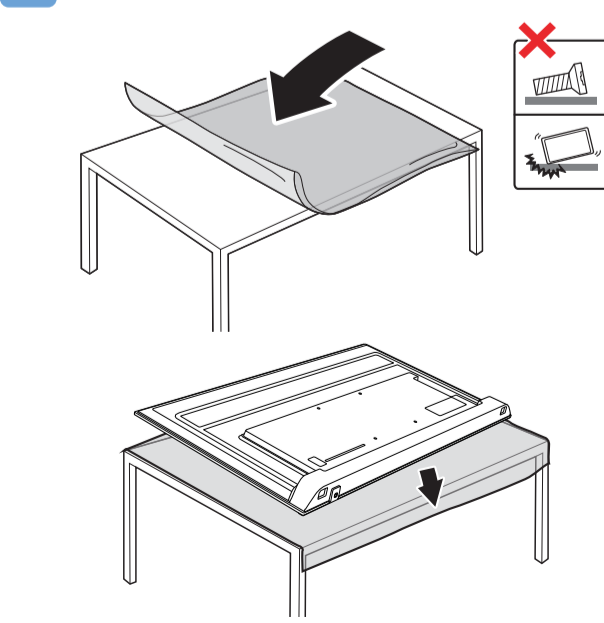
70"



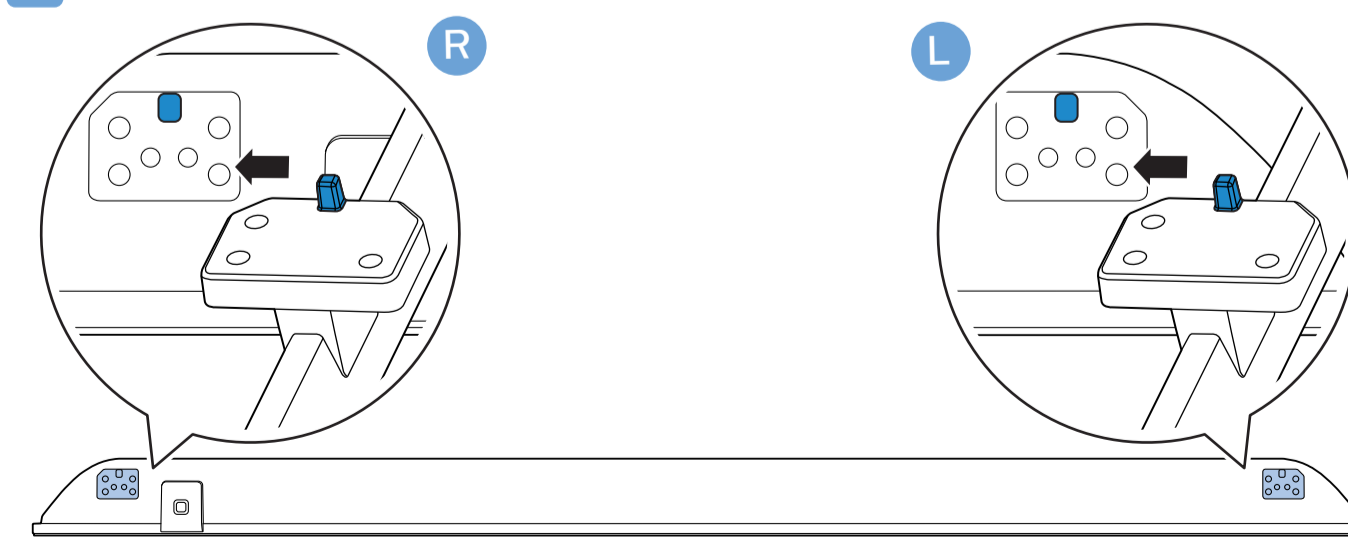
1



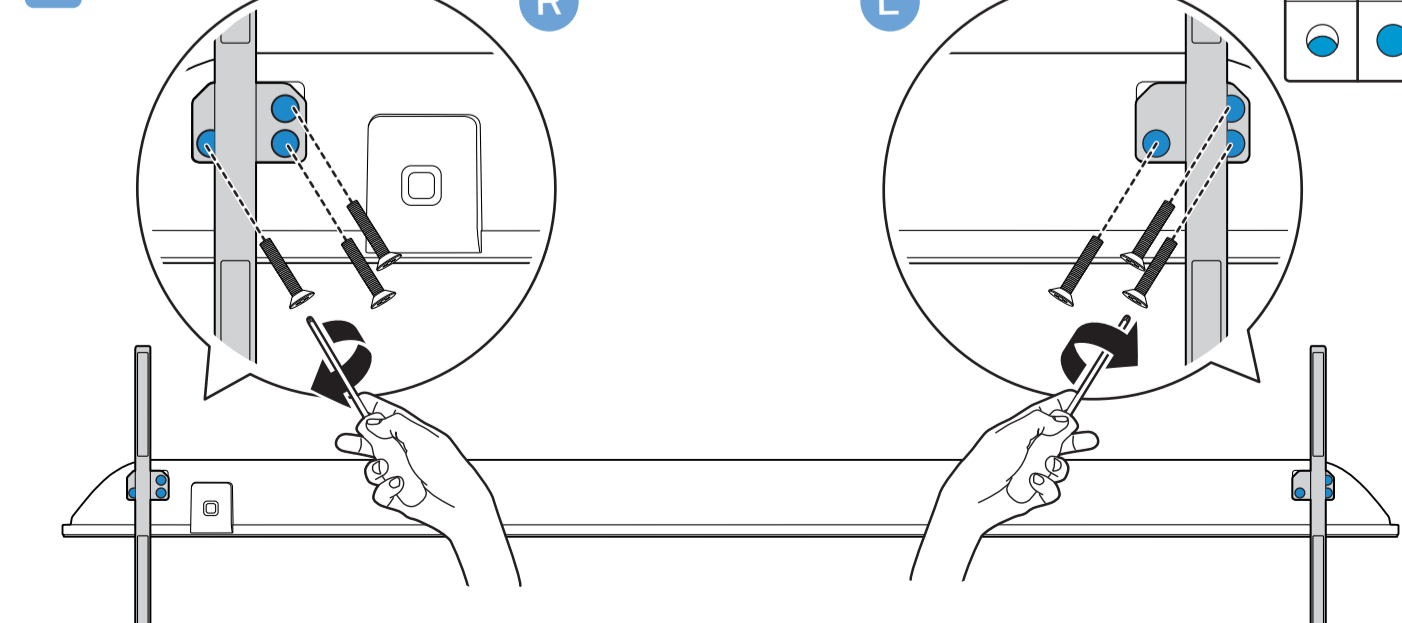
2

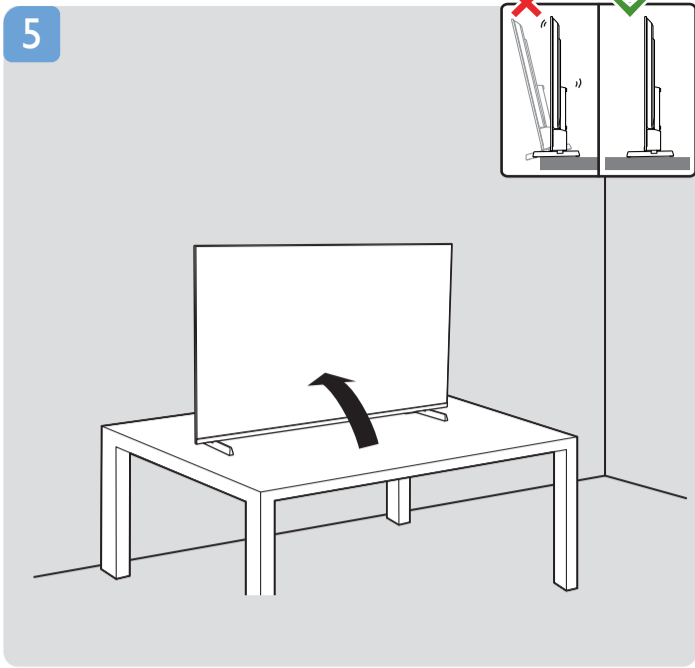


3

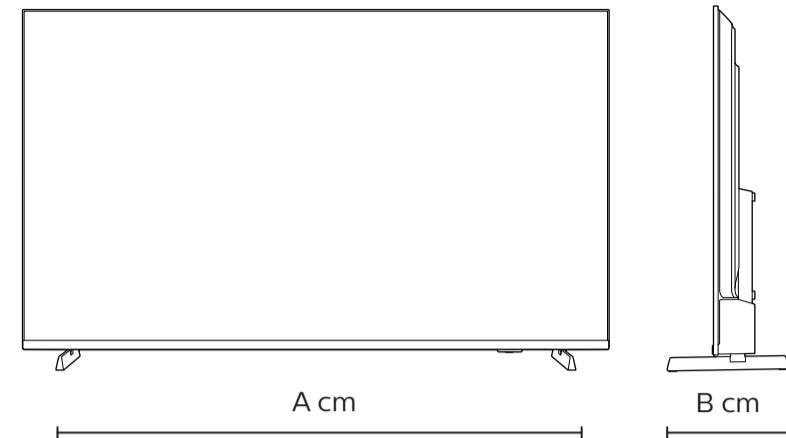


4





	A	B
50"	93.6	24.8
55"	106.0	24.8
65"	122.2	28.8
70"	138.6	35.0

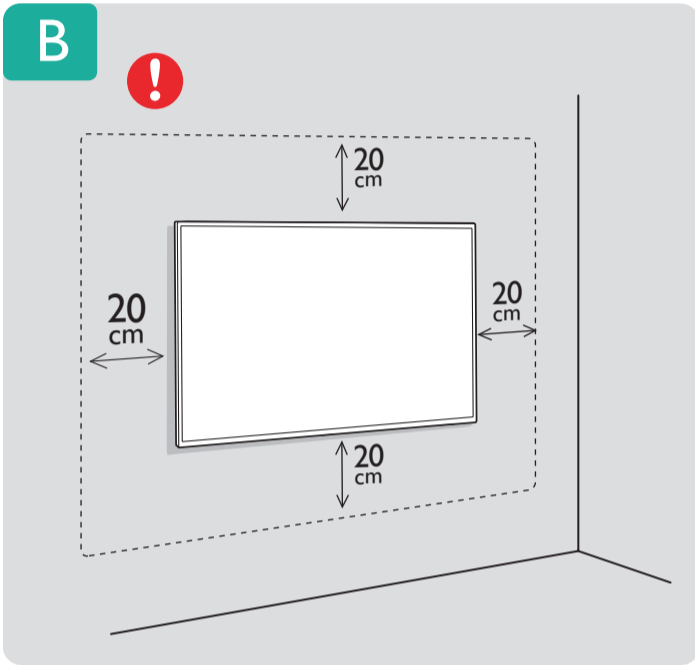
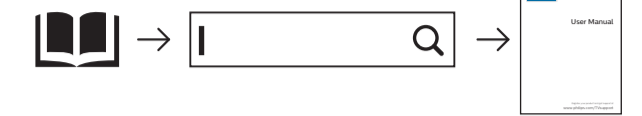


English Read the safety instructions.
Português Leia as instruções de segurança.

PRODUZIDO NO
POLO INDUSTRIAL
DE MANAUS
CONHEÇA A AMAZÔNIA
IMPRESSO NA CHINA

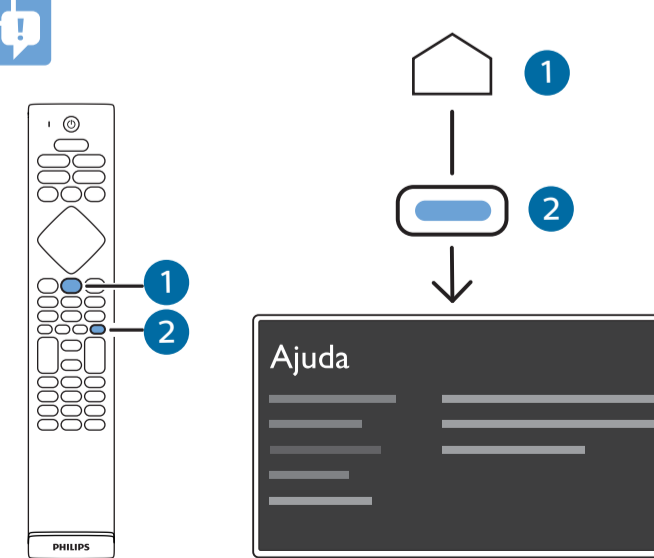
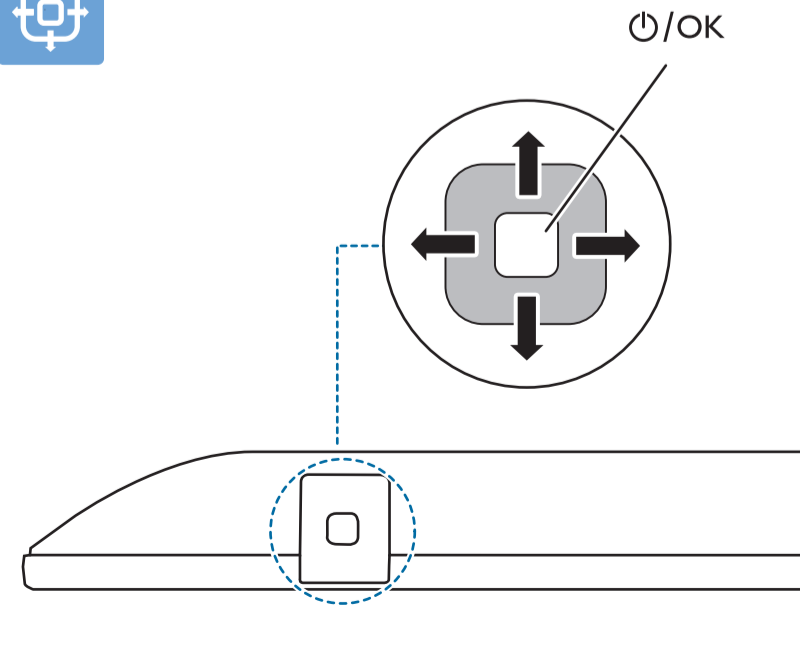
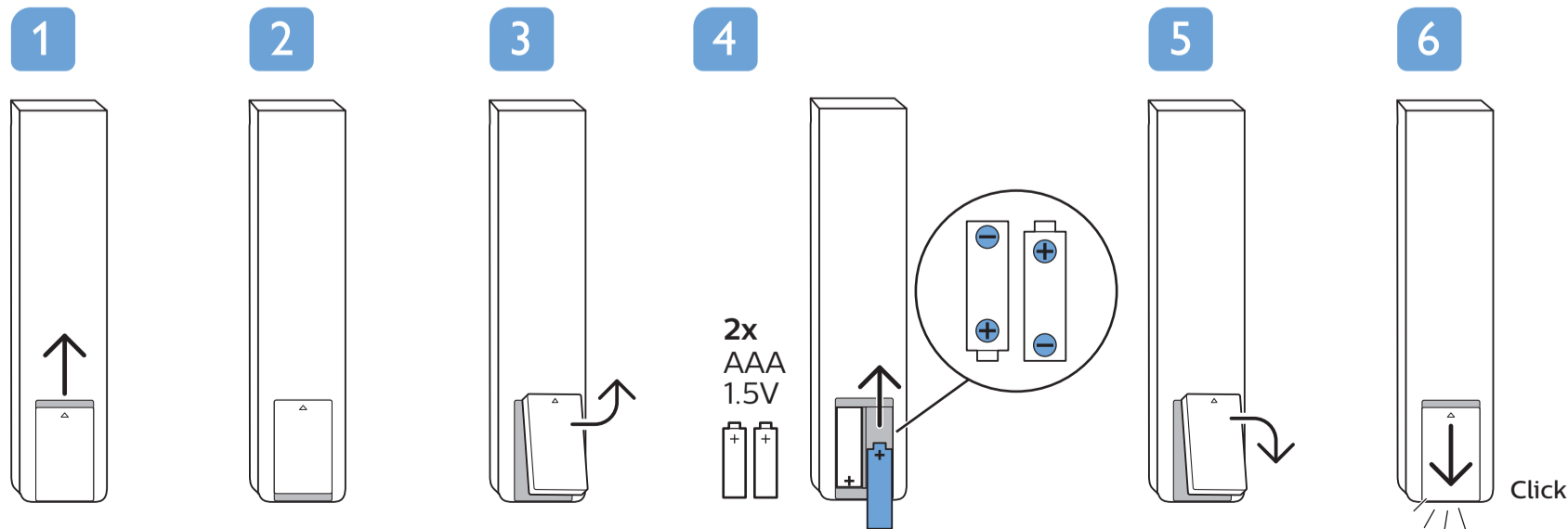
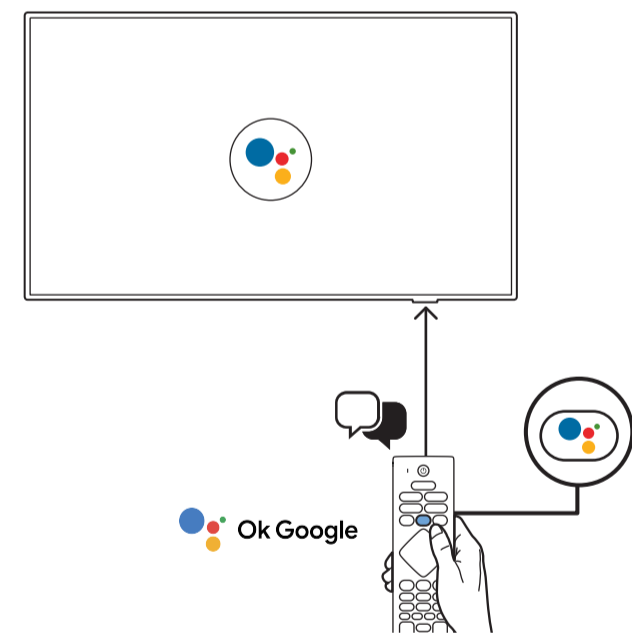
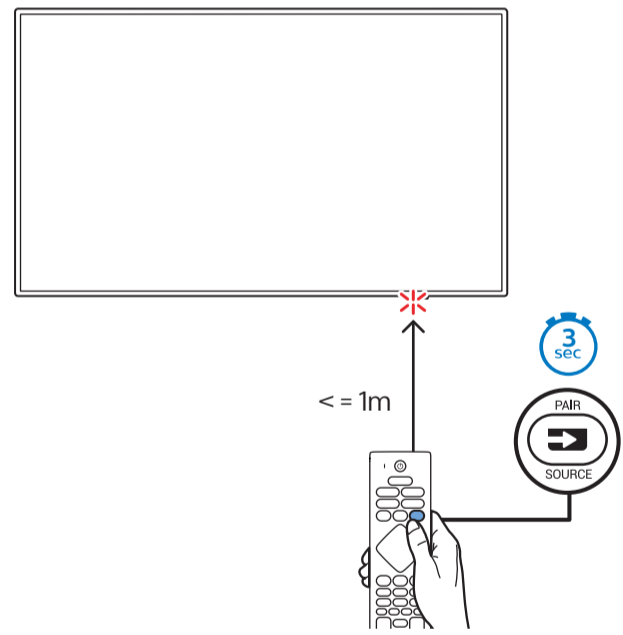
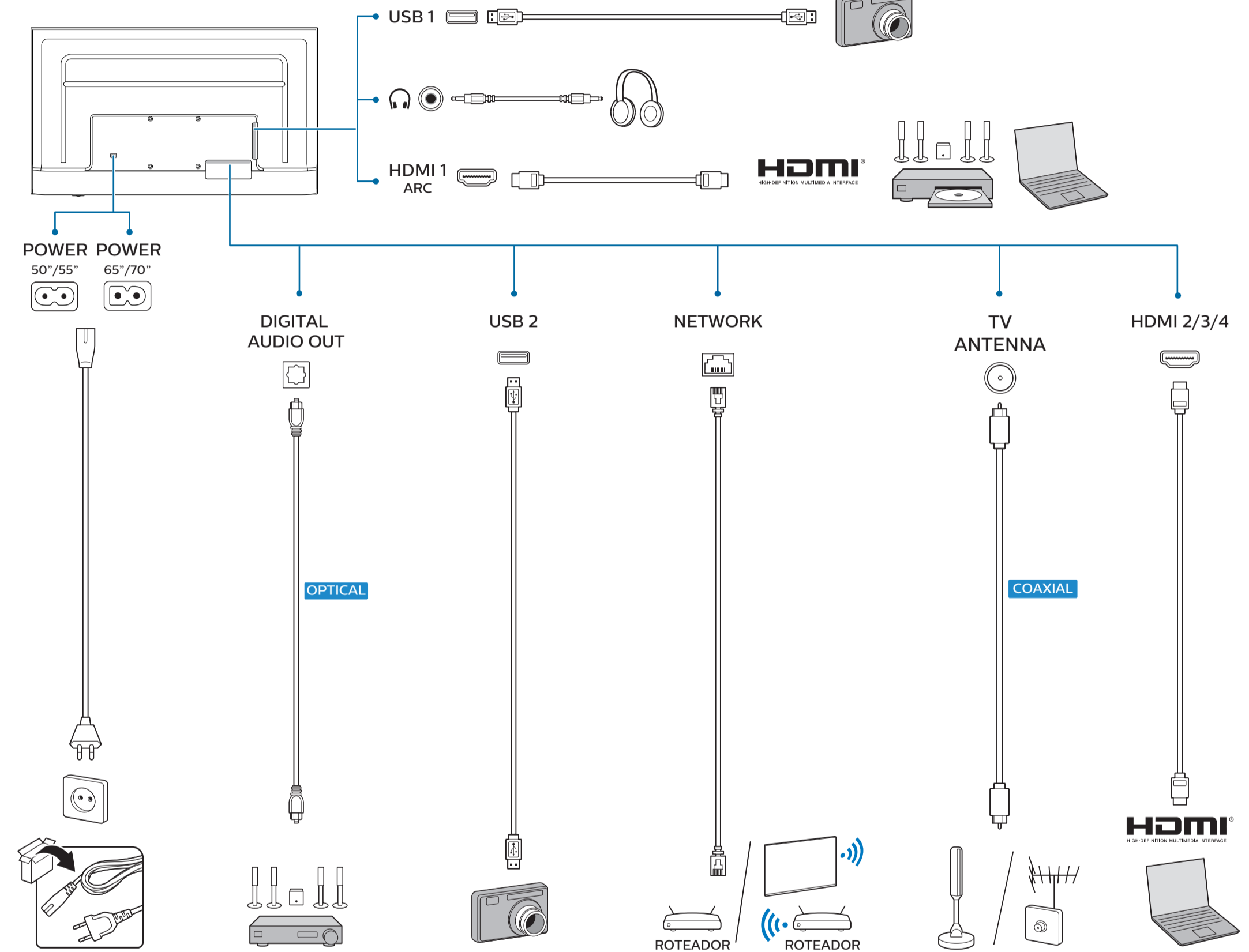
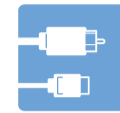
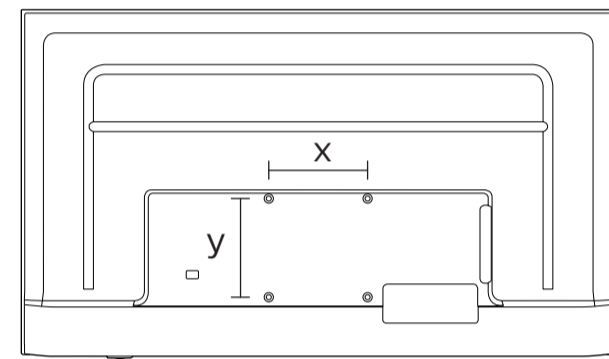
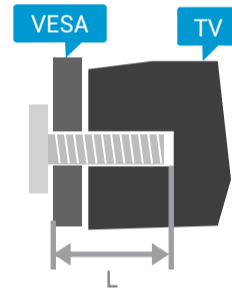


Registre seu produto e obtenha suporte em
www.philips.com/TVsupport



VESA (x, y)

- 50" 200x200mm M6 (L: 18mm~22mm) 126 cm
- 55" 200x200mm M6 (L: 14mm~16mm) 139 cm
- 65" 300x300mm M6 (L: 18mm~22mm) 164 cm
- 70" 300x300mm M8 (L: 10mm~22mm) 177 cm



All registered and unregistered trademarks are property of their respective owners. Specifications are subject to change without notice. Philips and the Philips shield emblem are trademarks of Koninklijke Philips N.V. and are used under license from Koninklijke Philips N.V. This product has been manufactured by and is sold under the responsibility of TP Vision Europe B.V. and TP Vision Europe B.V. is the warrantor in relation to this product. 2021© TP Vision Europe B.V. All rights reserved. www.philips.com/welcome