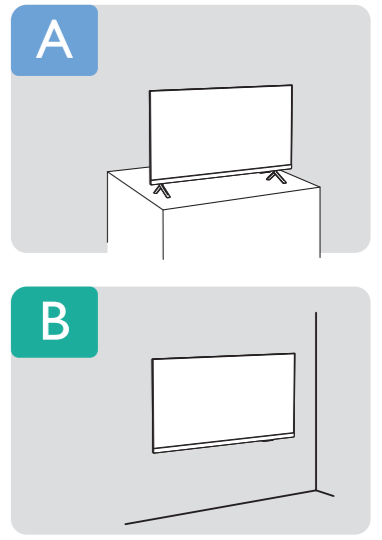
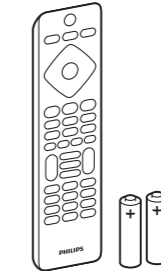
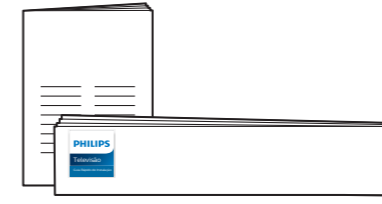
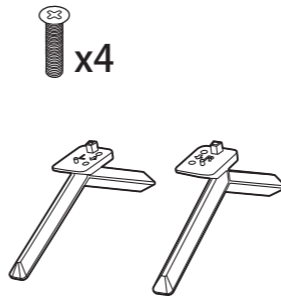
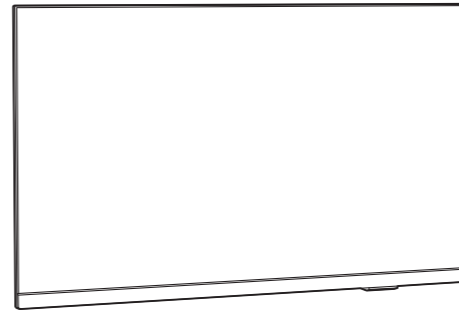


# PHILIPS

## Televisão

Guia Rápido de Instalação

32PHG6825/78

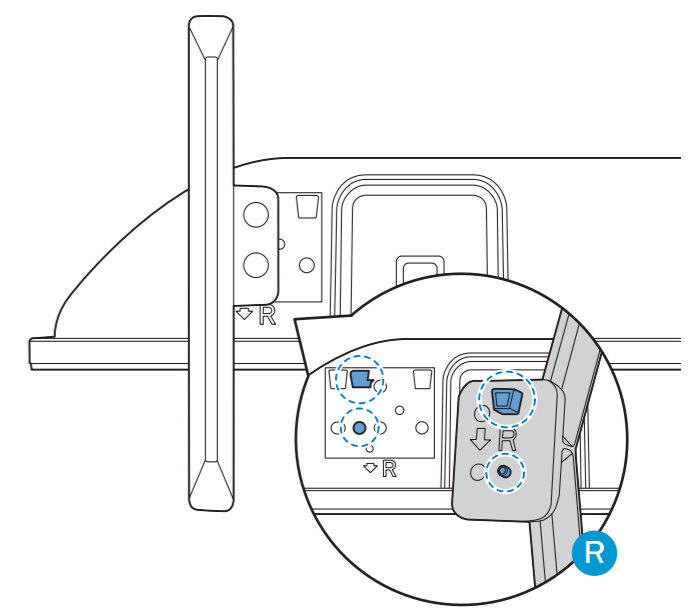
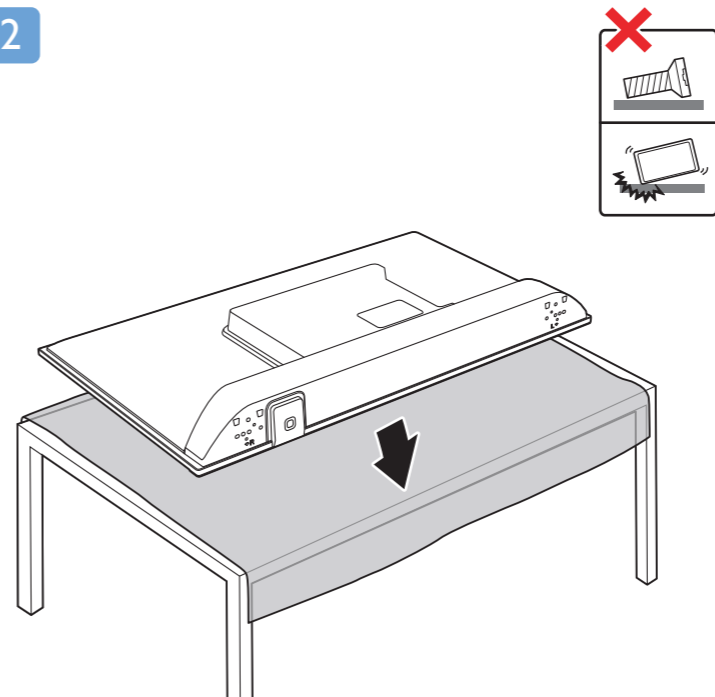
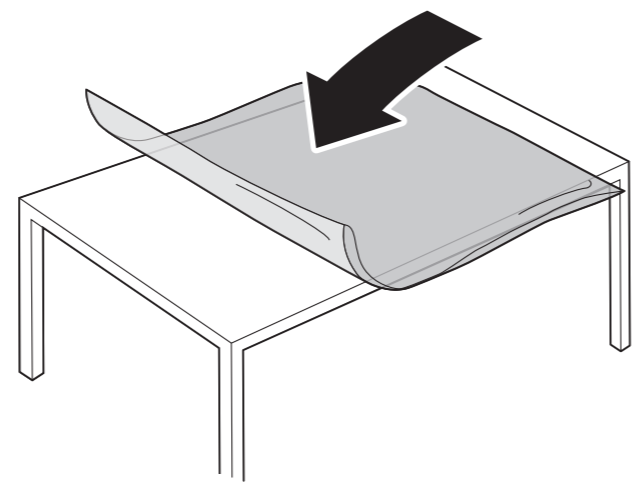
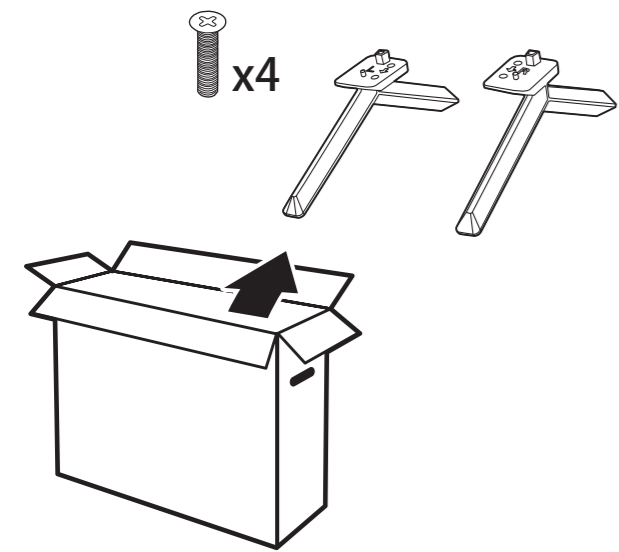


A

1

2

3

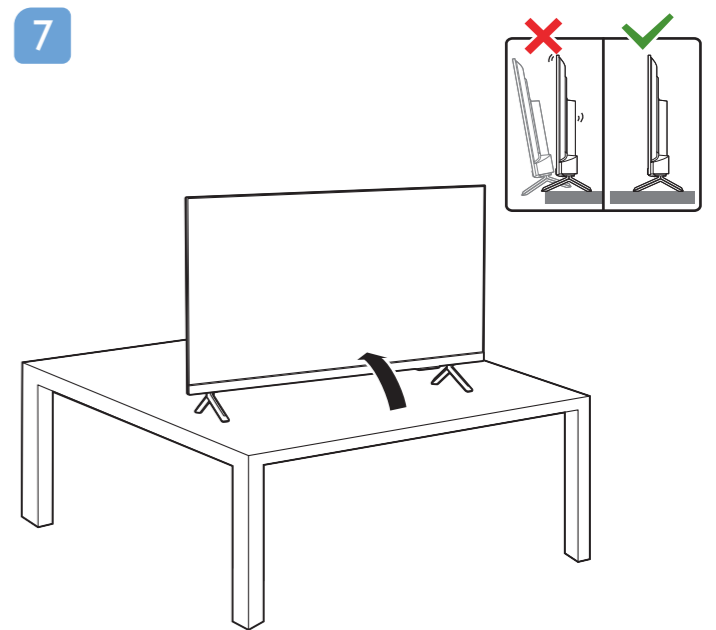
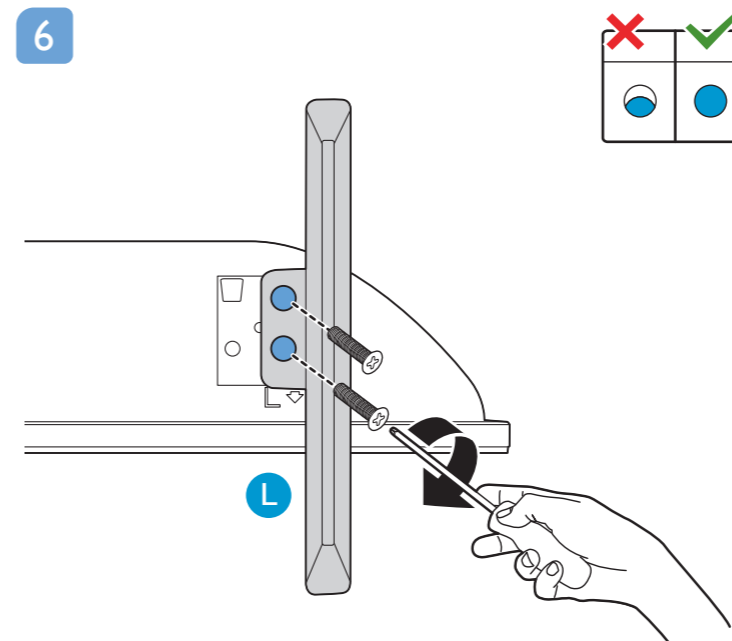
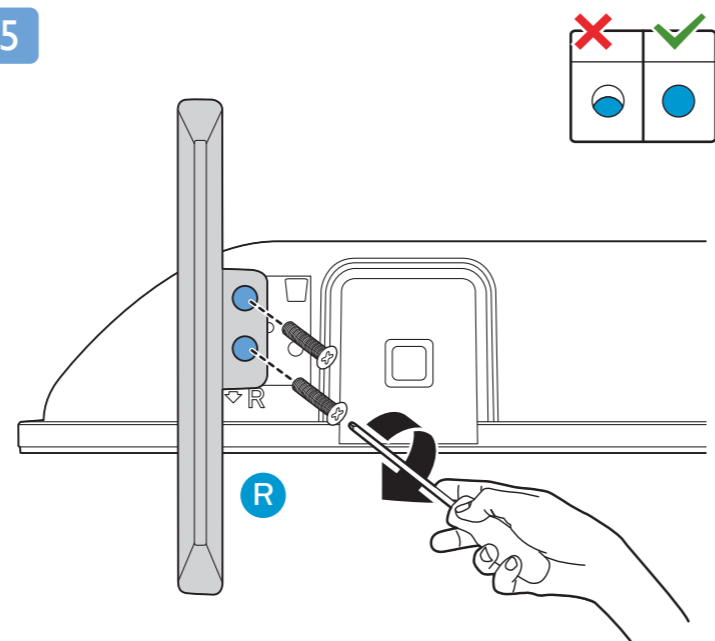
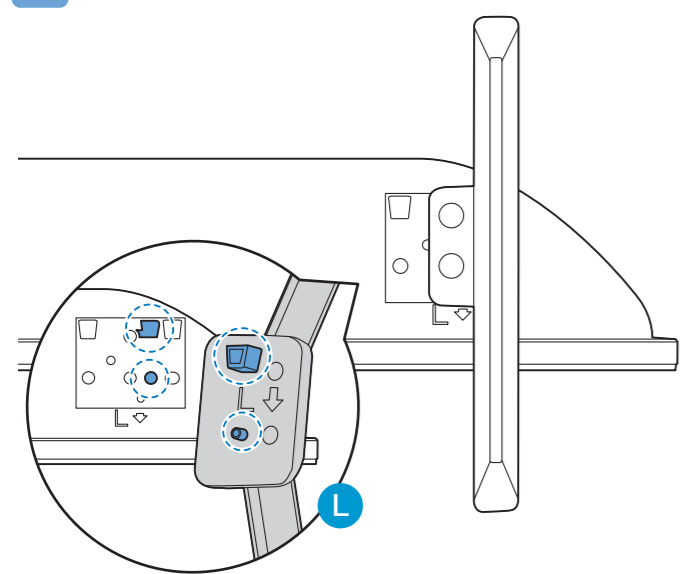


4

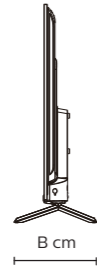
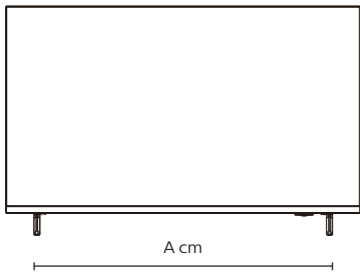
5

6

7



	<b>A</b>	<b>B</b>
<b>32"</b>	58.9	17.7



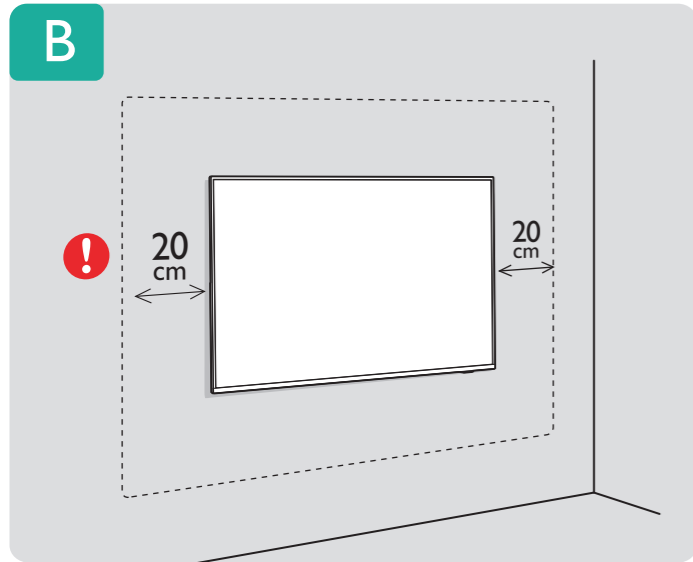
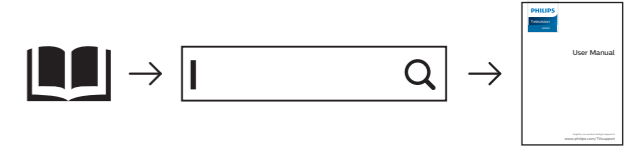
**English** Read the safety instructions.  
**Português** Leia as instruções de segurança.



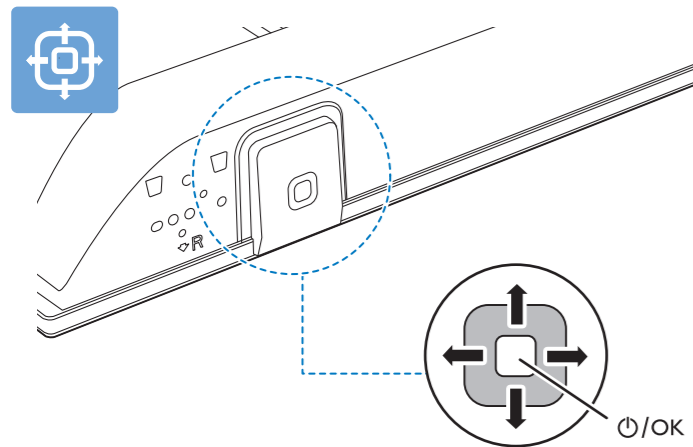
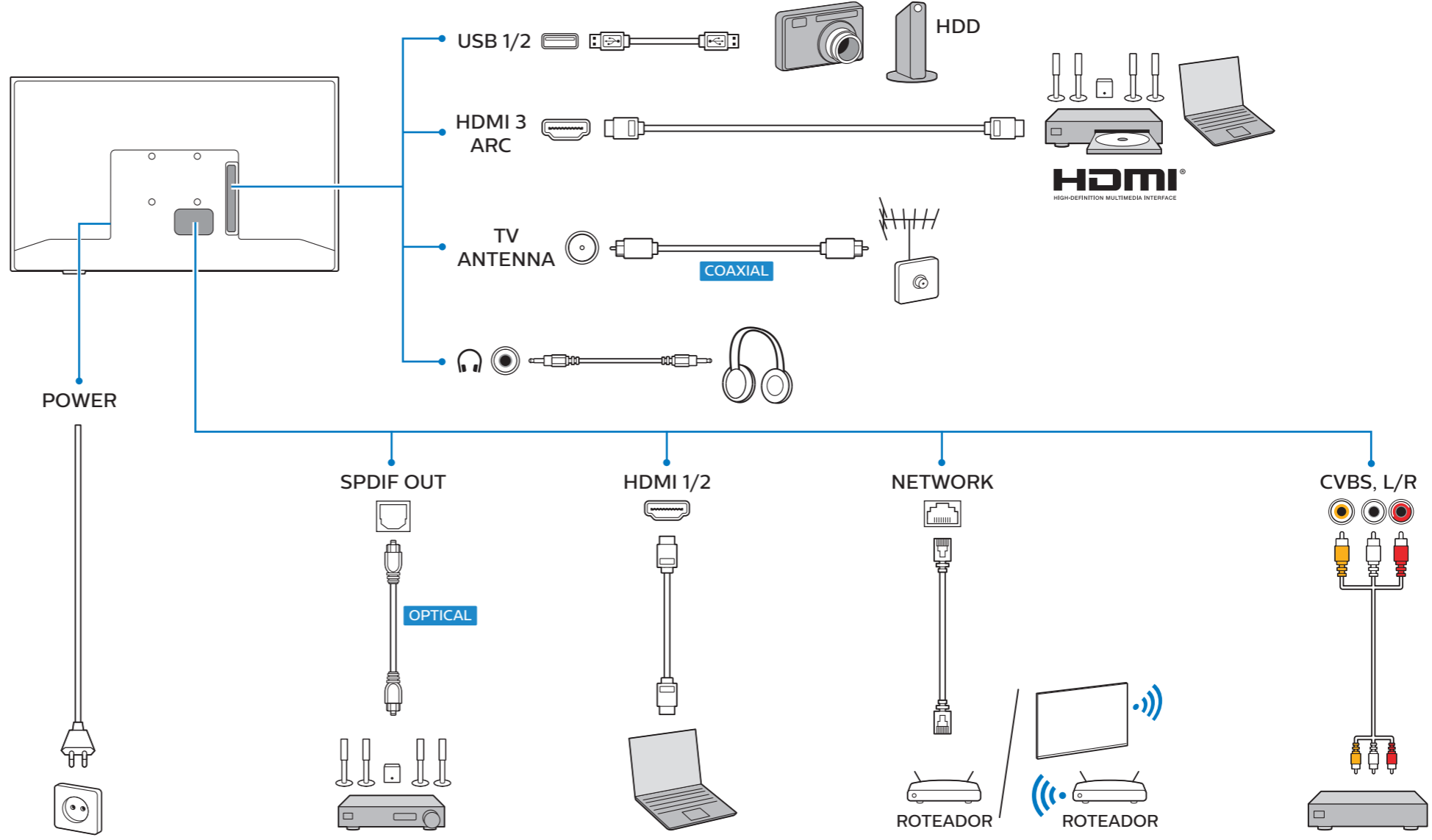
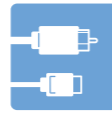
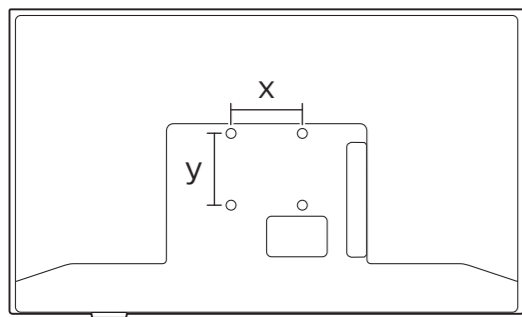
PRODUZIDO NO POLO INDUSTRIAL DE MANAUS  
 CONHEÇA A AMAZÔNIA  
 IMPRESSO NA CHINA



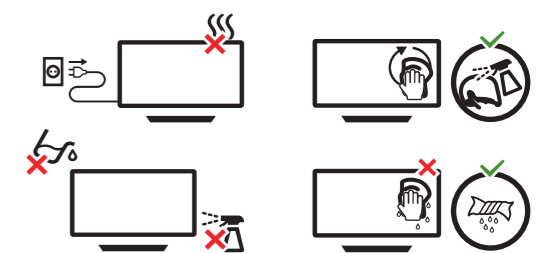
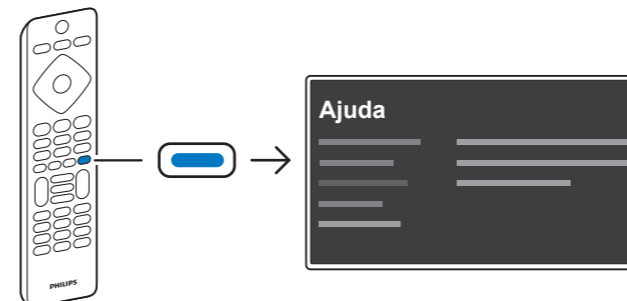
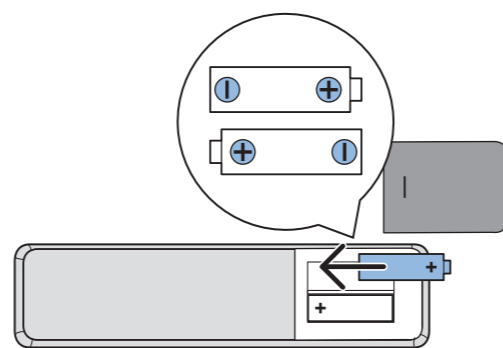
Registre seu produto e obtenha suporte em [www.philips.com/TVsupport](http://www.philips.com/TVsupport)



**VESA (x, y)**  
 32" 100x100mm M4 80 cm



2x  
 AAA  
 1.5V



All registered and unregistered trademarks are property of their respective owners. Specifications are subject to change without notice. Philips and the Philips' shield emblem are trademarks of Koninklijke Philips N.V. and are used under license from Koninklijke Philips N.V. This product has been manufactured by and is sold under the responsibility of TP Vision Europe B.V., and TP Vision Europe B.V. is the warrantor in relation to this product. 2020 © TP Vision Europe B.V. All rights reserved. [www.philips.com/welcome](http://www.philips.com/welcome)