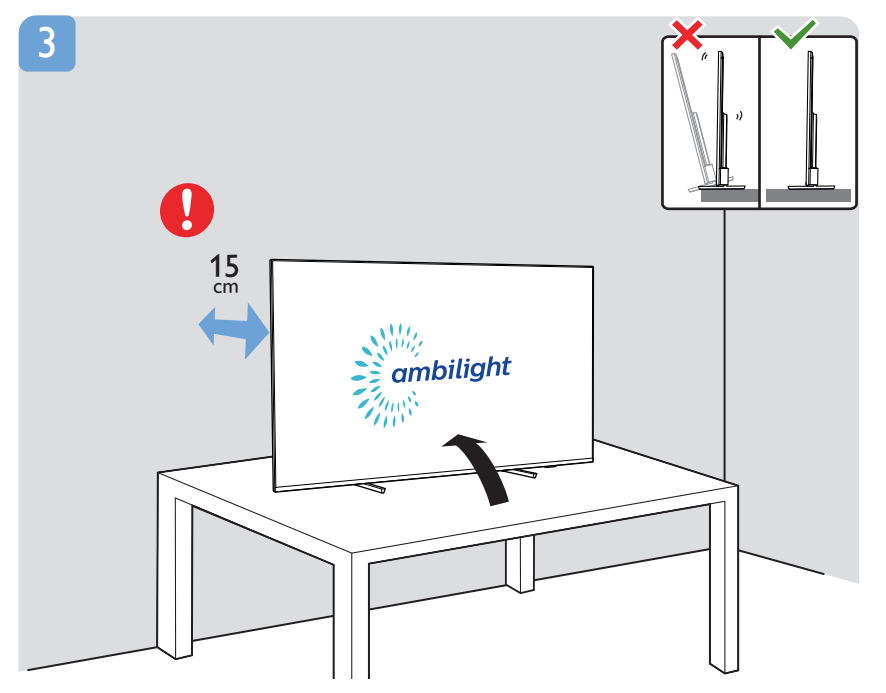
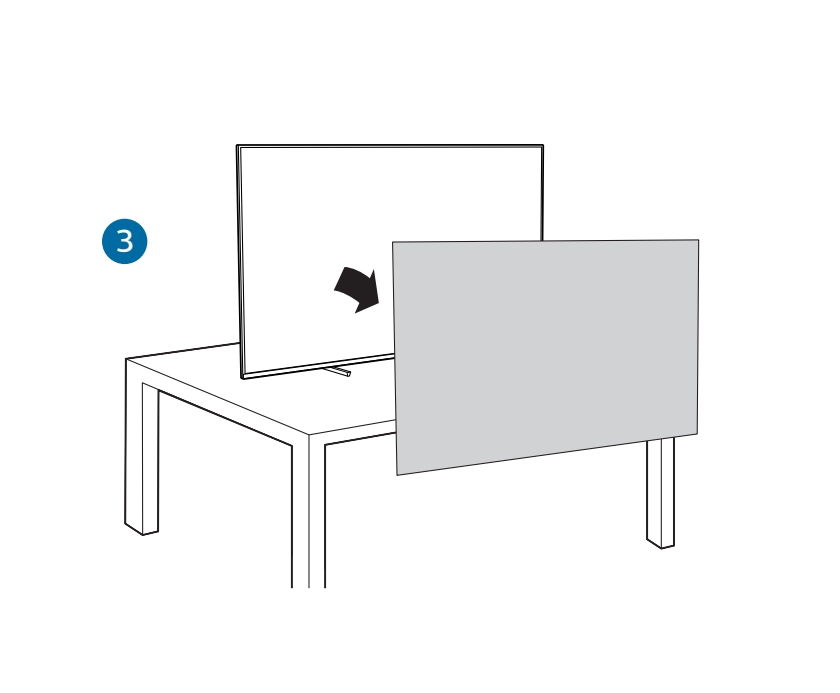
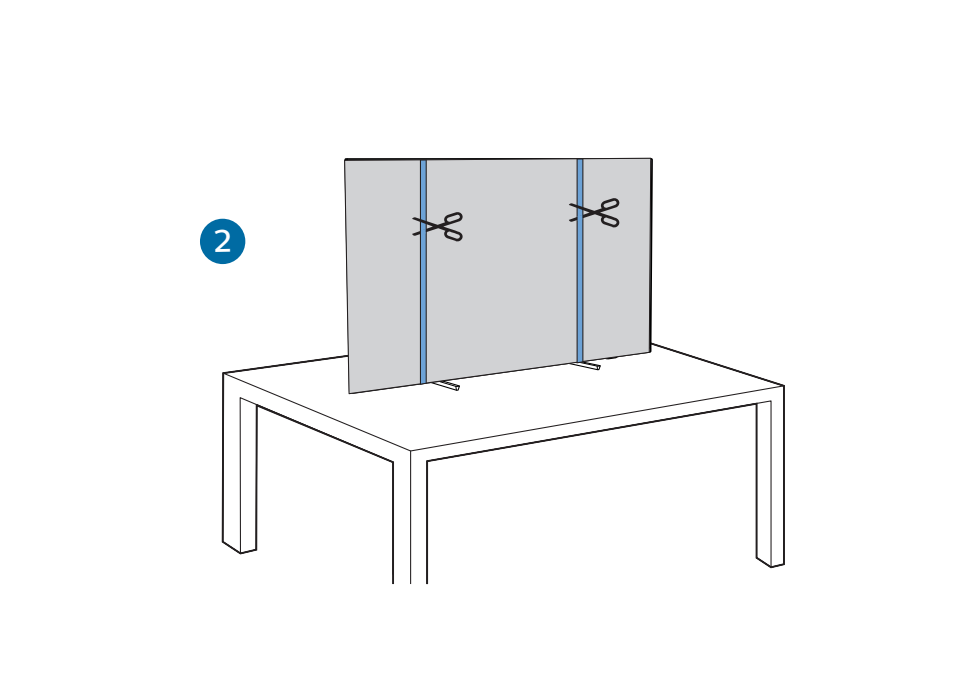
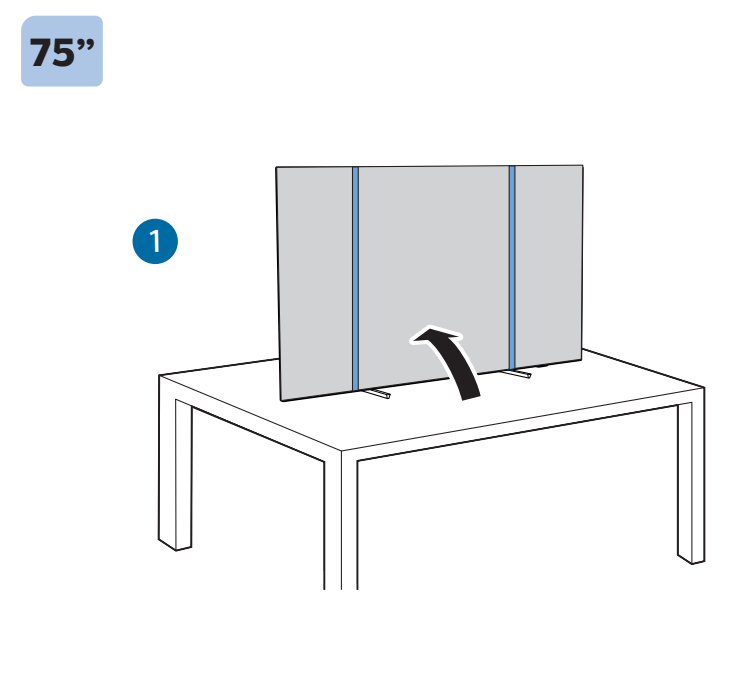
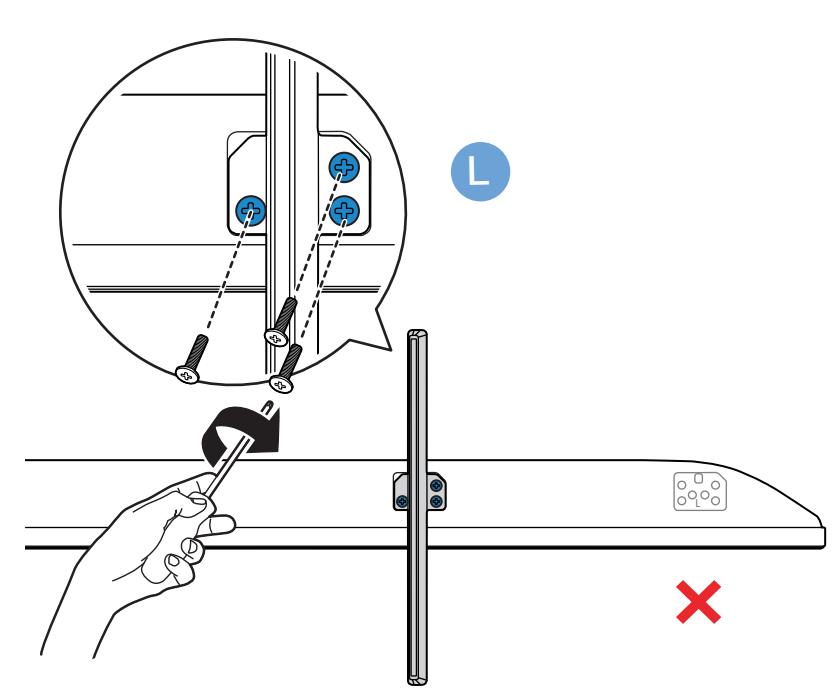
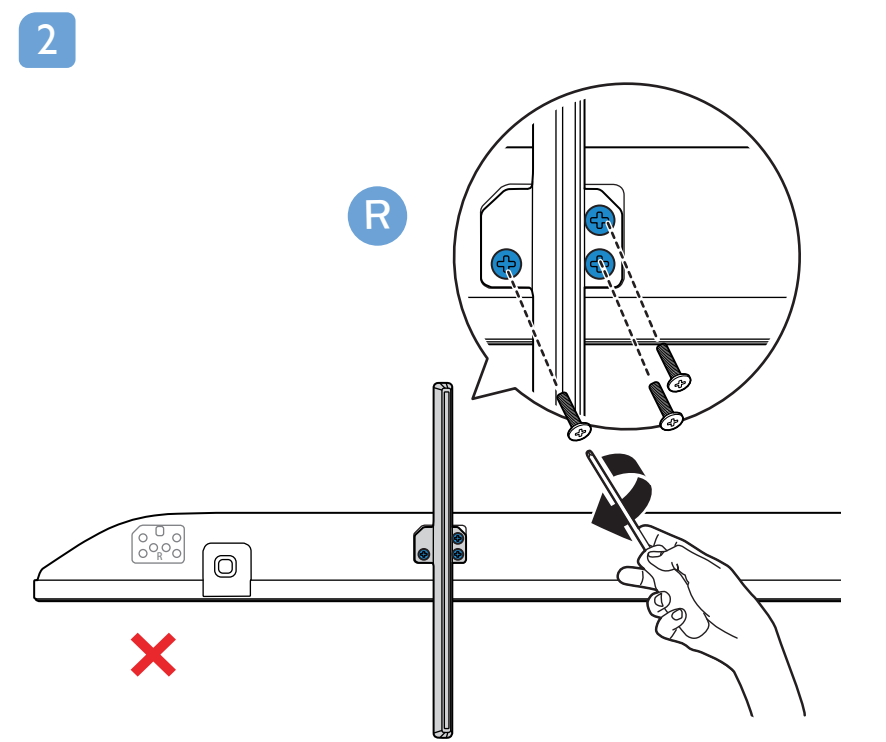
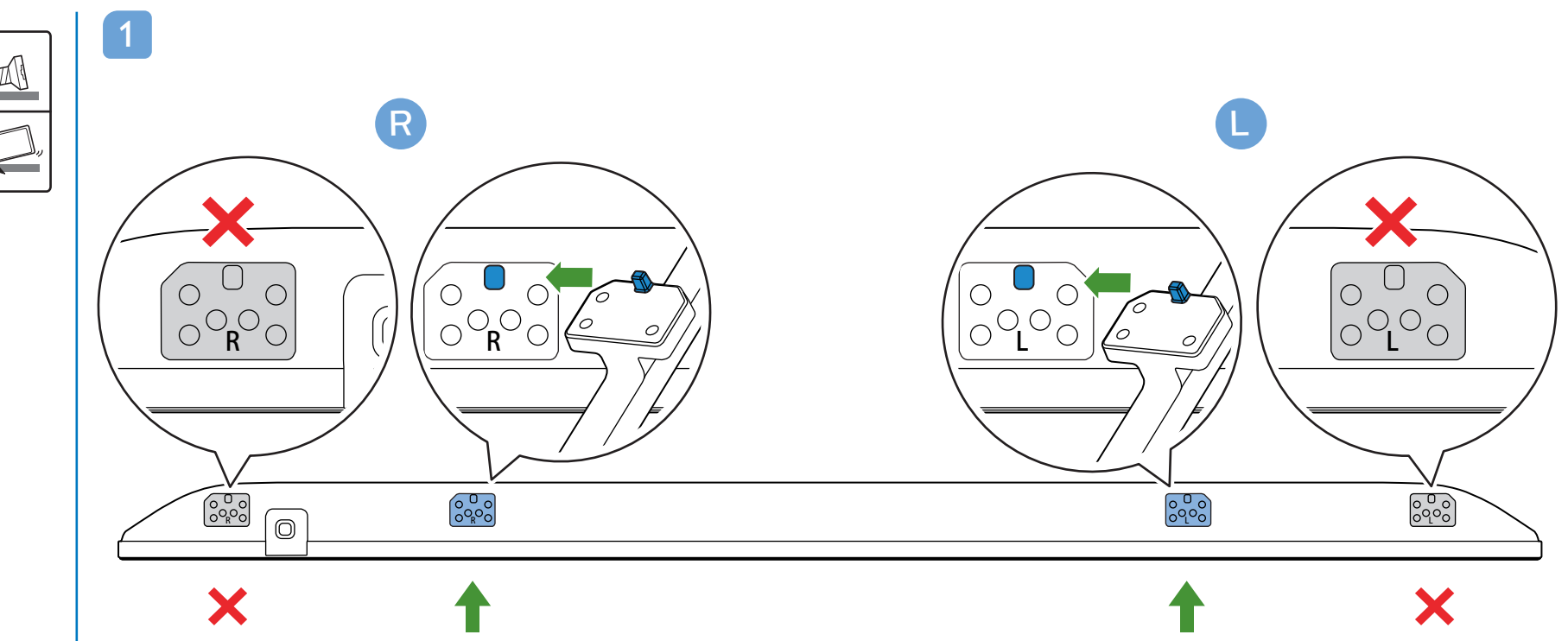
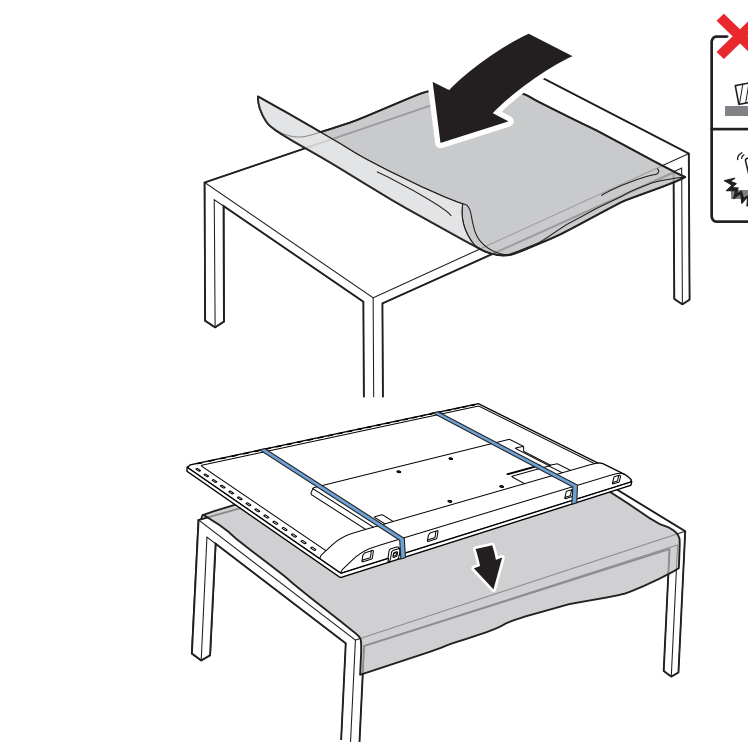
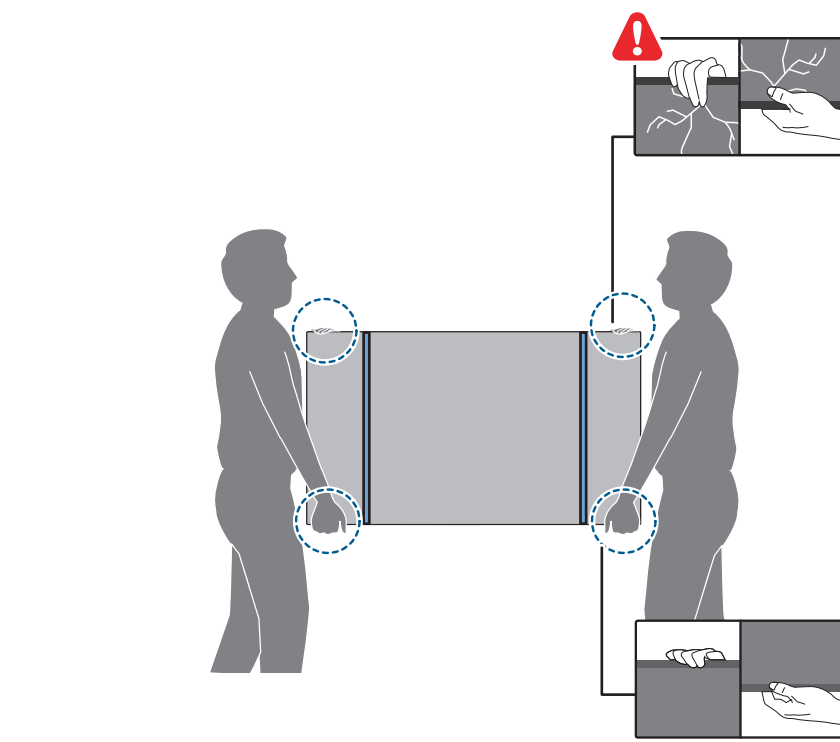
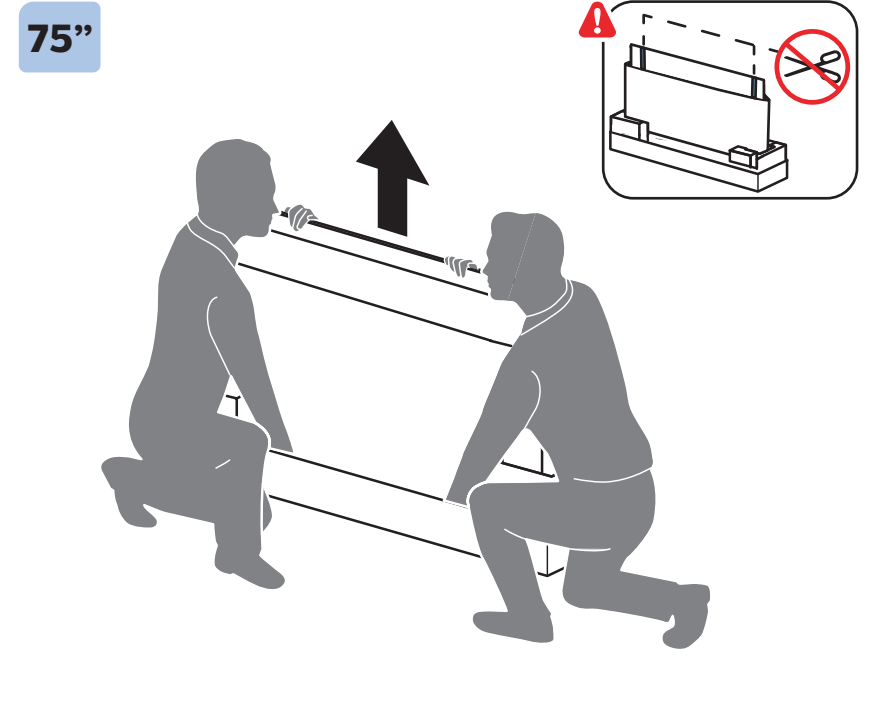
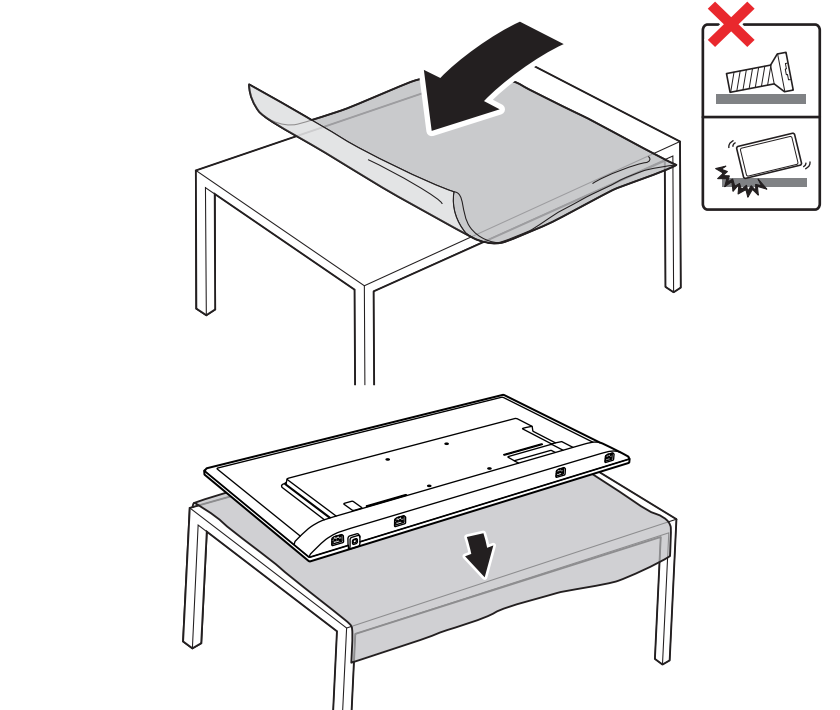
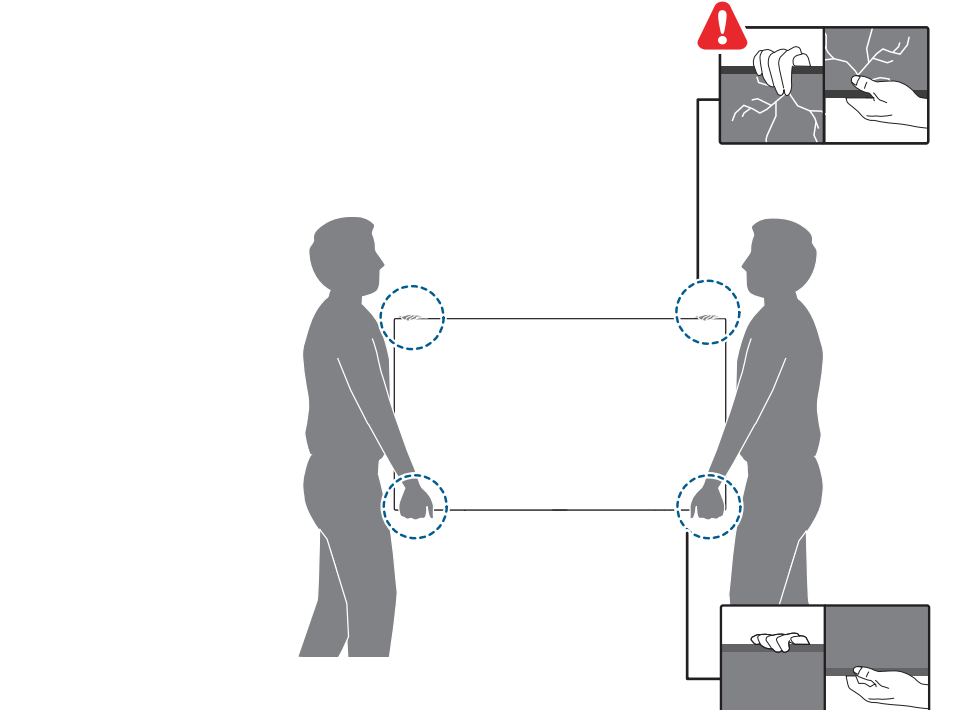
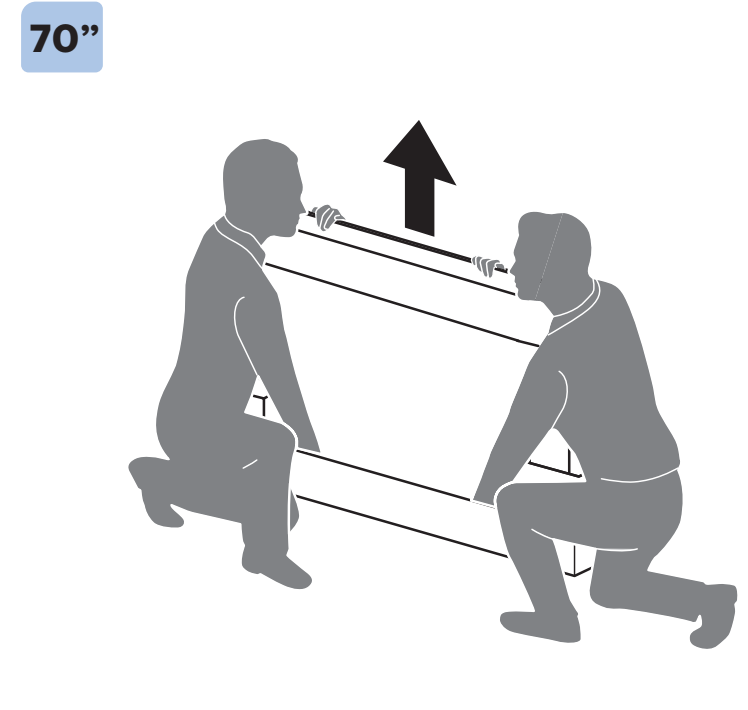
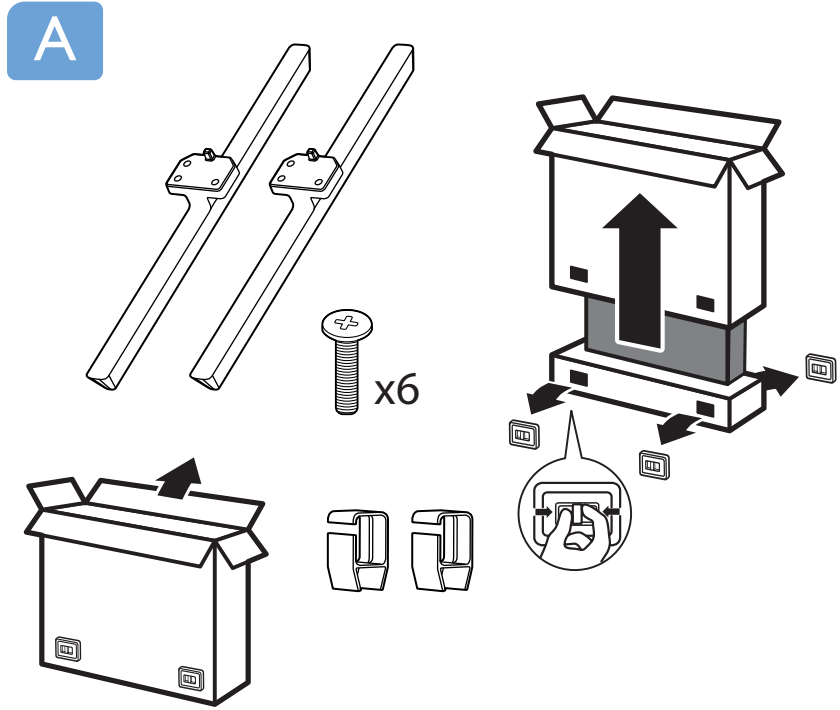
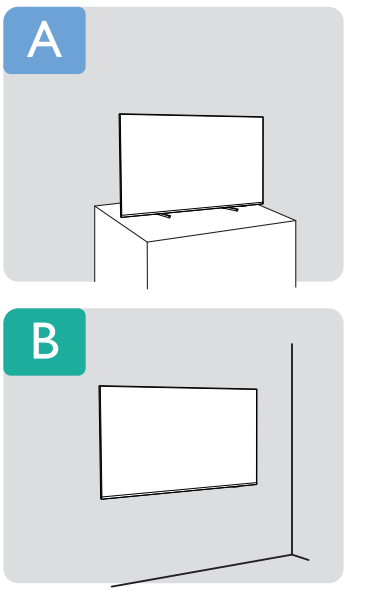
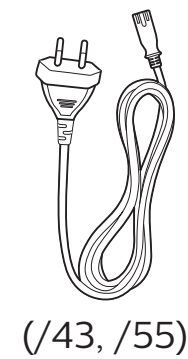
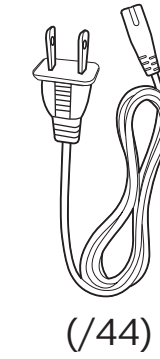
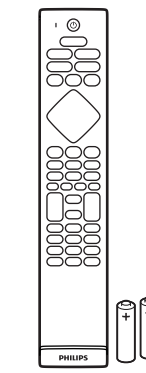
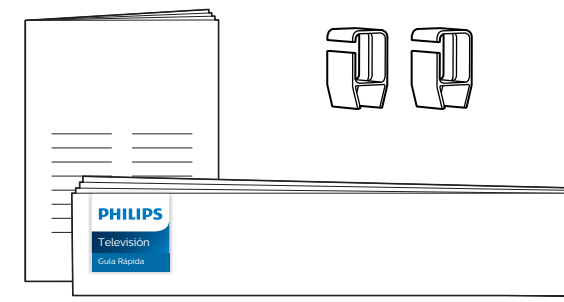
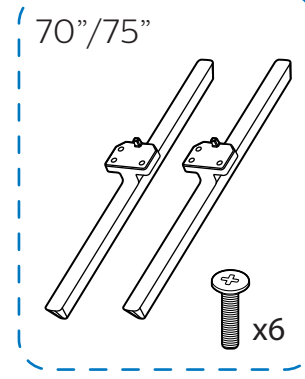
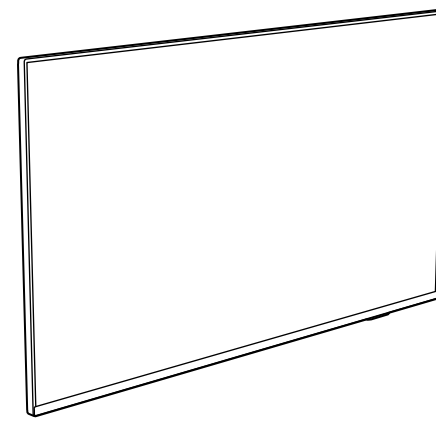


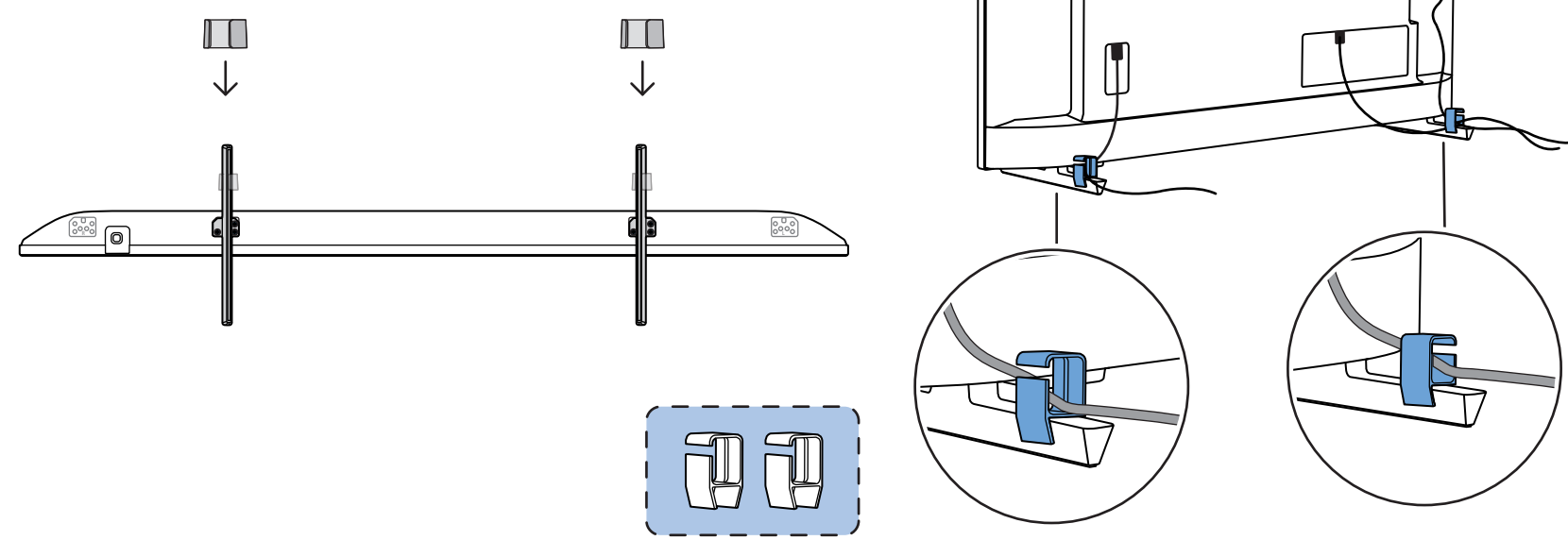
# PHILIPS

## Televisión

### Guía Rápida

70PUD7906/43, /44, /55  
75PUD7906/43, /44





**B**

**VESA (x, y)**

70" 300x300mm M8 (L: 12mm~25mm) 177 cm

75" 300x300mm M8 (L: 12mm~25mm) 189 cm

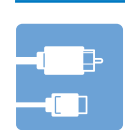
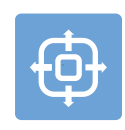
1. Insert the battery cover into the back of the TV.
2. Push the cover down until it clicks.
3. Insert the battery cover into the back of the TV.
4. Insert 2x AAA 1.5V batteries into the battery compartment. A diagram shows the correct polarity (+ and -).
5. Push the cover down until it clicks.
6. Click the cover to close it.



English Read the safety instructions.  
Español Lea la información de seguridad.



Registre su producto y obtenga asistencia en [www.philips.com/TVsupport](http://www.philips.com/TVsupport)




All registered and unregistered trademarks are property of their respective owners. Specifications are subject to change without notice. Philips and the Philips shield emblem are trademarks of Koninklijke Philips N.V. and are used under license from Koninklijke Philips N.V. This product has been manufactured by and is sold under the responsibility of TP Vision Europe B.V., and TP Vision Europe B.V. is the warrantor in relation to this product. 2021© TP Vision Europe B.V. All rights reserved. [www.philips.com/welcome](http://www.philips.com/welcome)