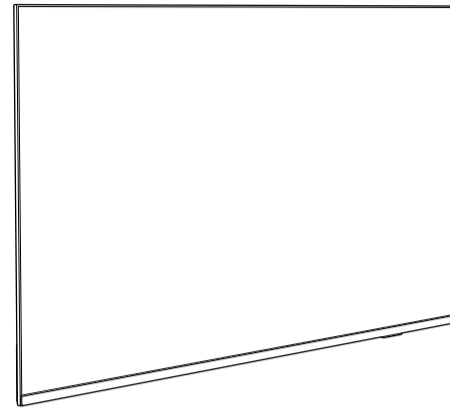


# PHILIPS

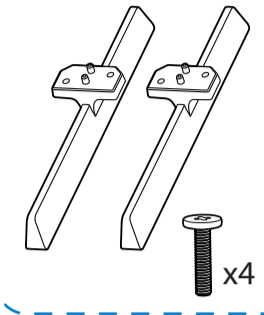
## Televisión

### Guía Rápida

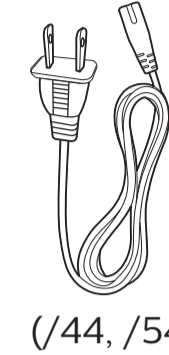
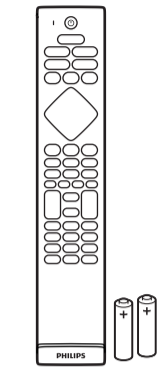
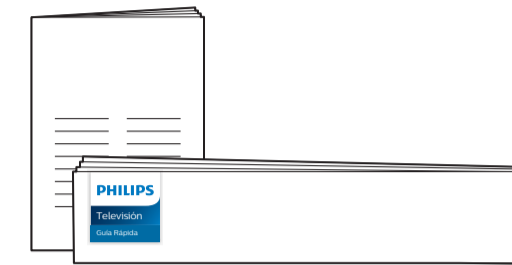
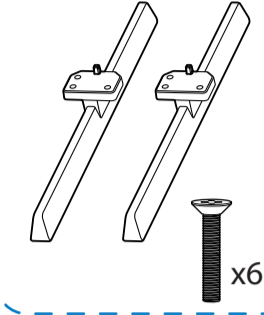
43PUD7406 65PUD7406  
50PUD7406 70PUD7406  
55PUD7406



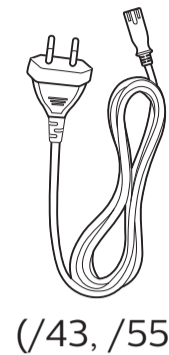
43"/50"/55"/65"



70"



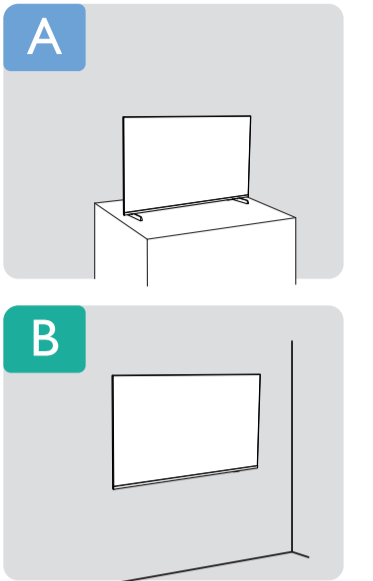
(/44, /54)



(/43, /55)

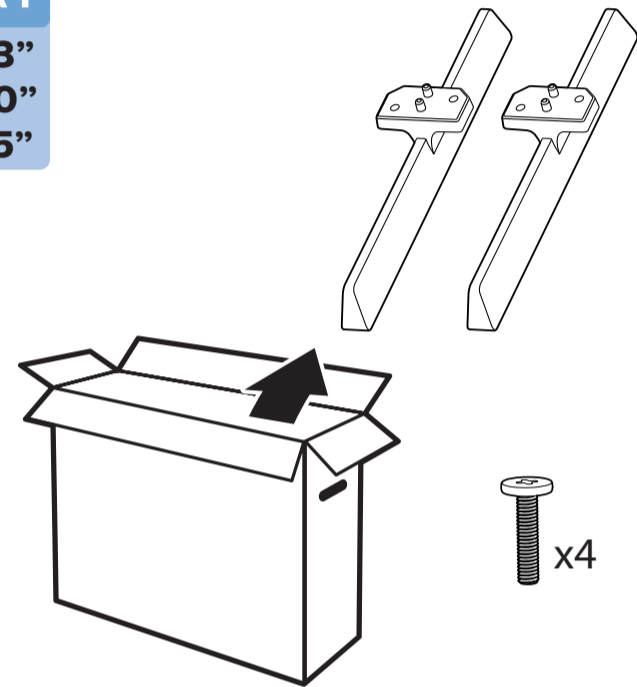
A

B

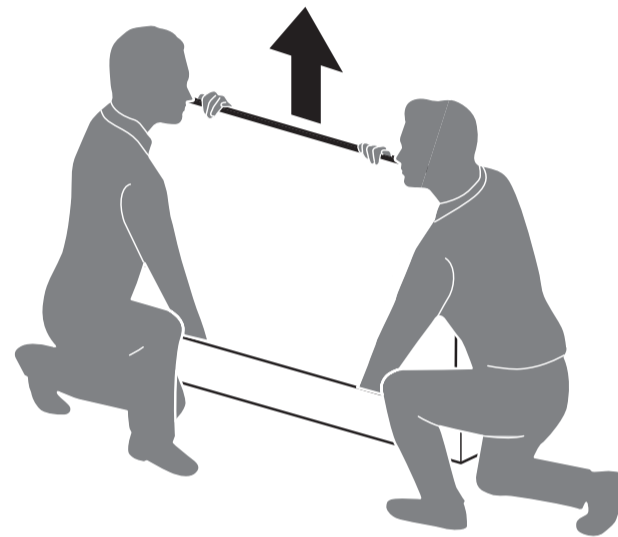
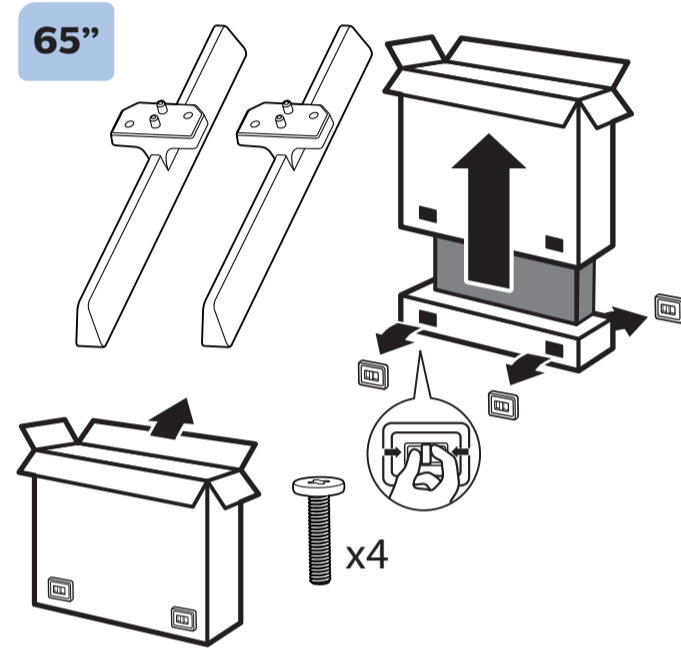


A1

43"  
50"  
55"

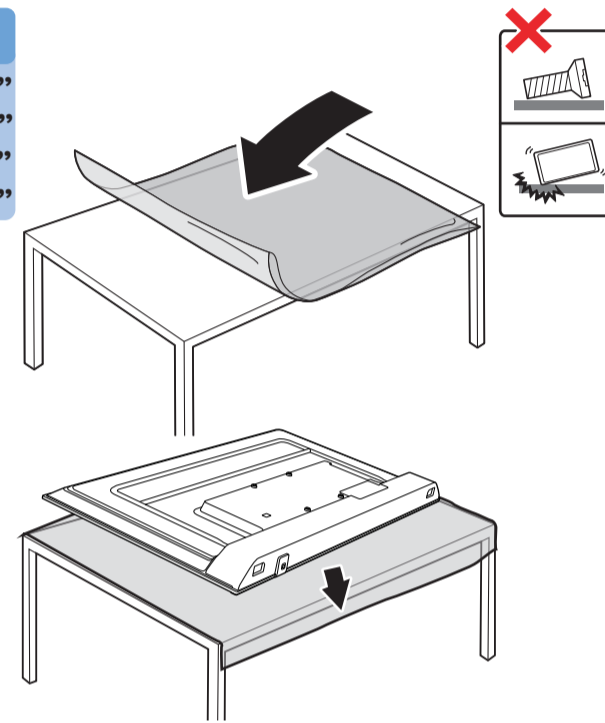


65"

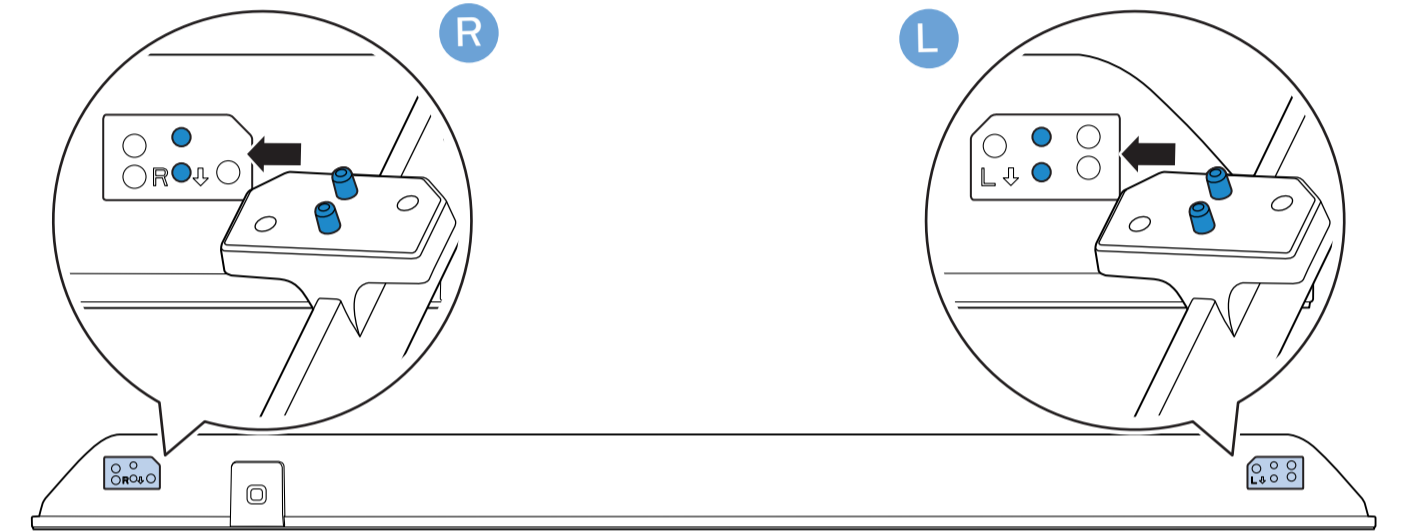


1

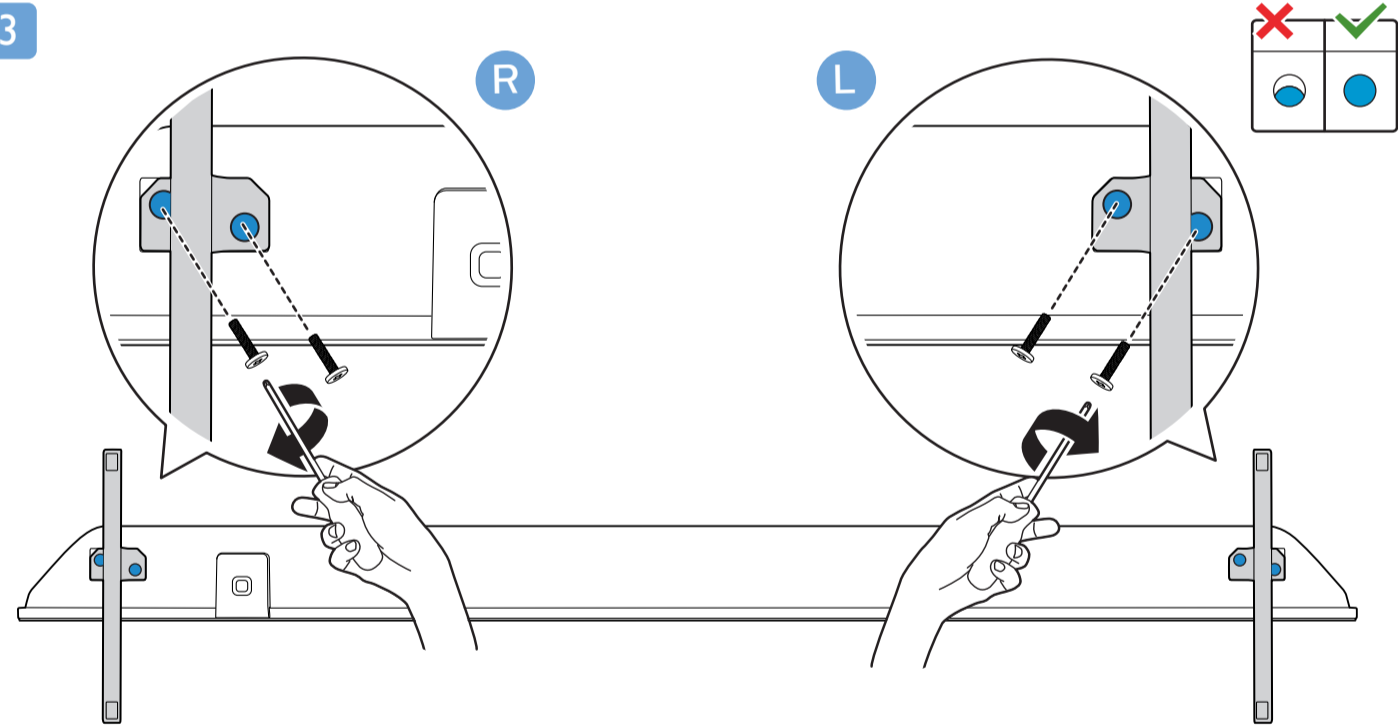
43"  
50"  
55"  
65"



2

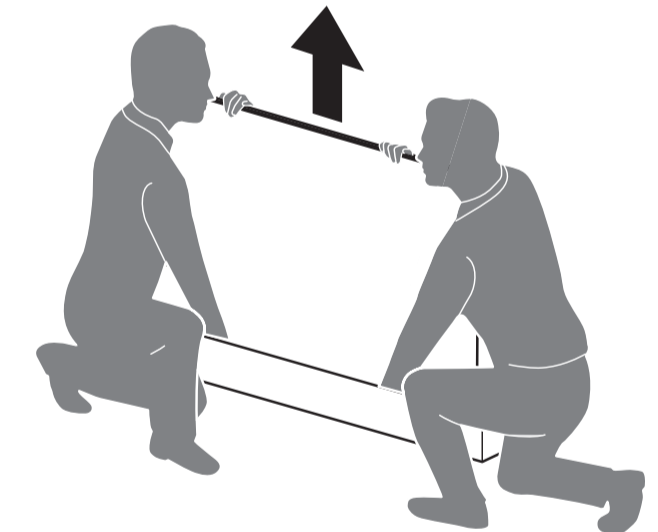
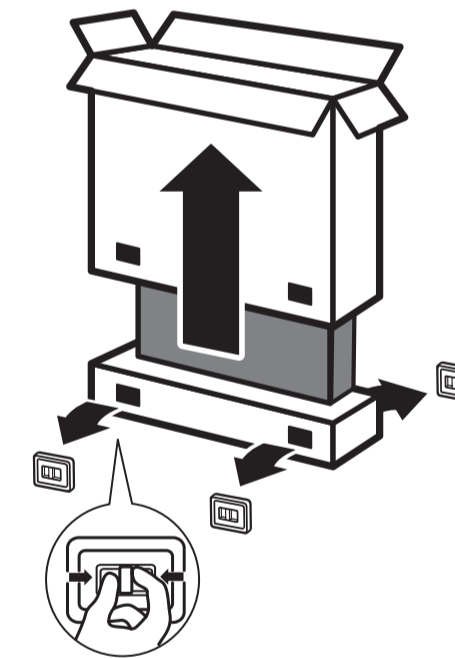
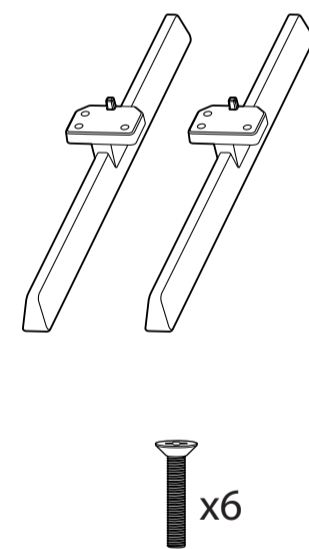
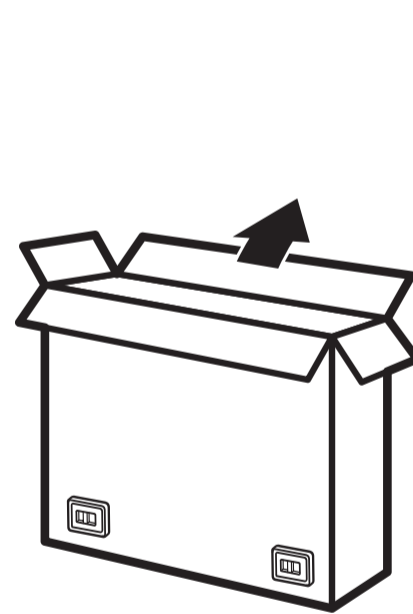


3

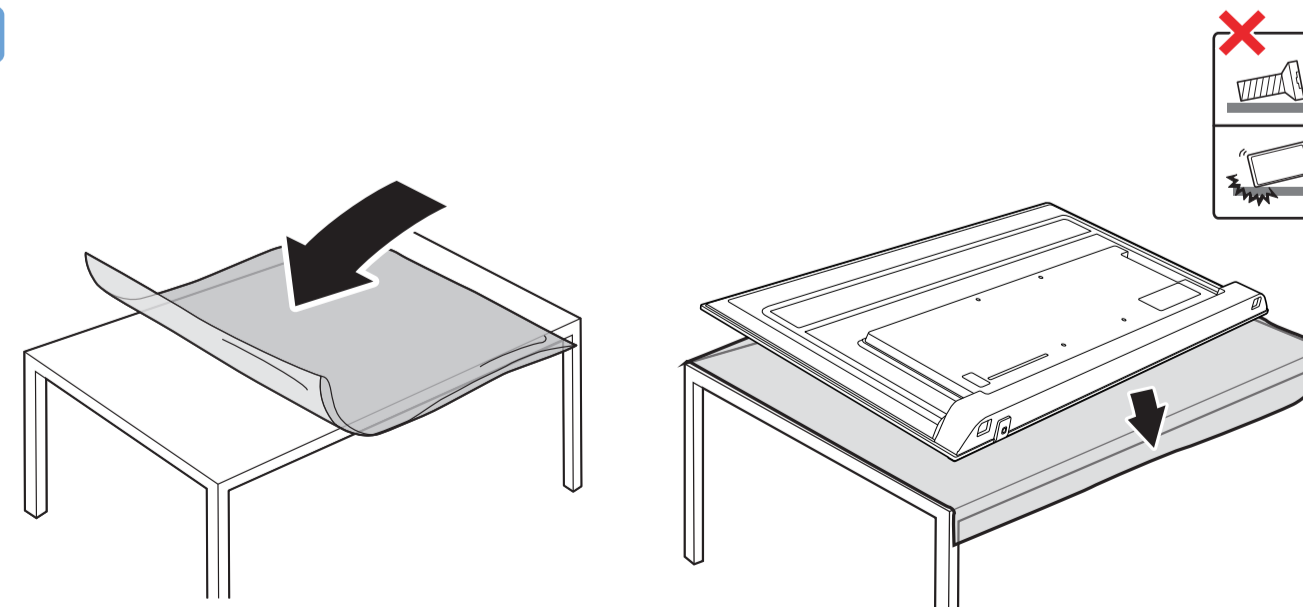


A2

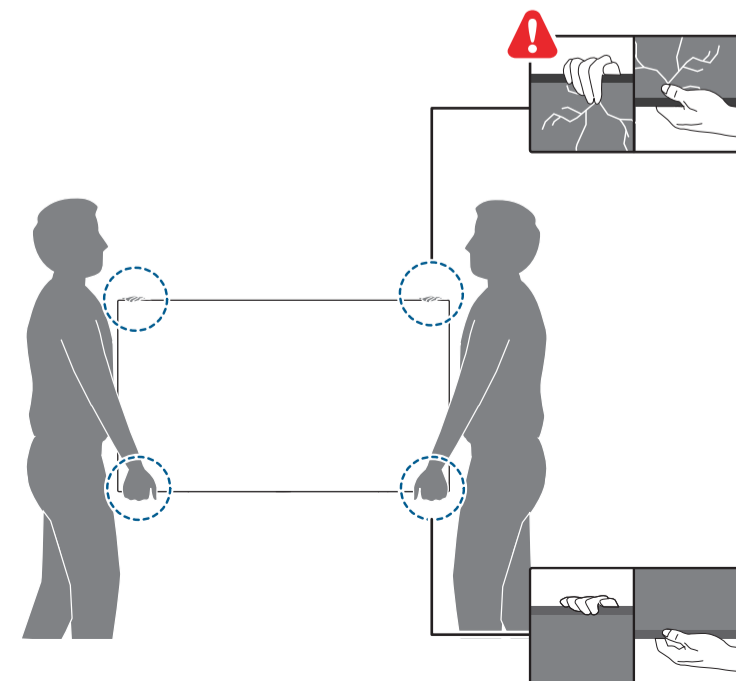
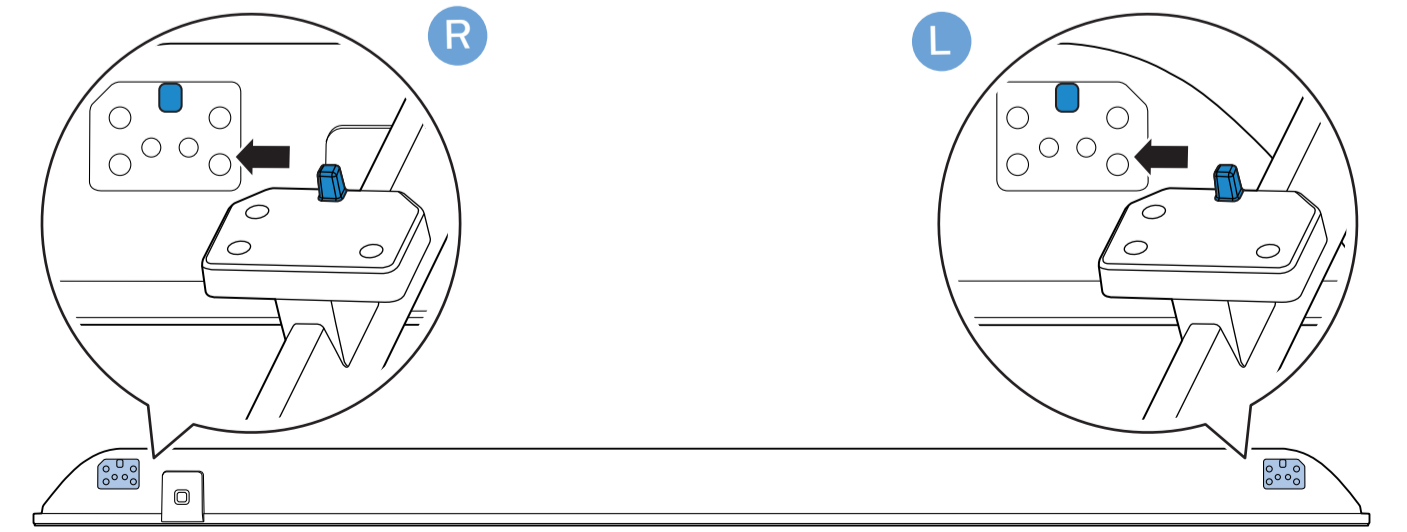
70"

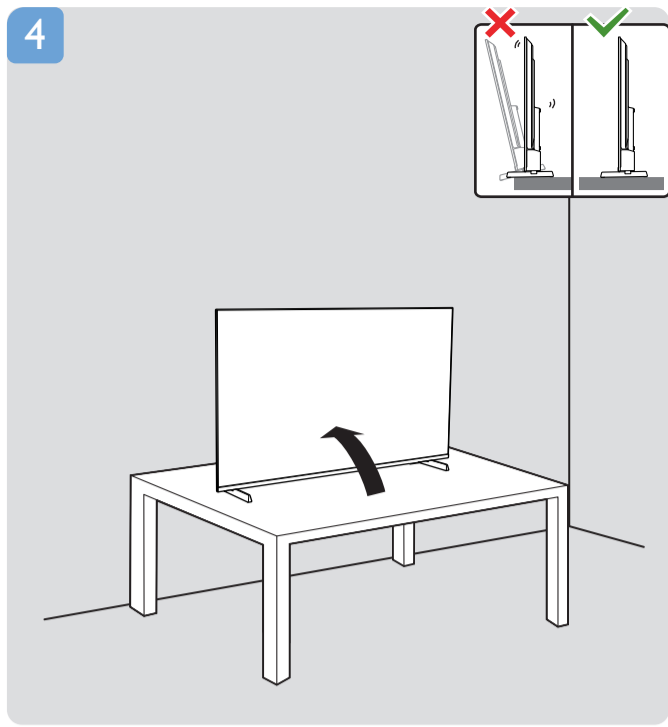
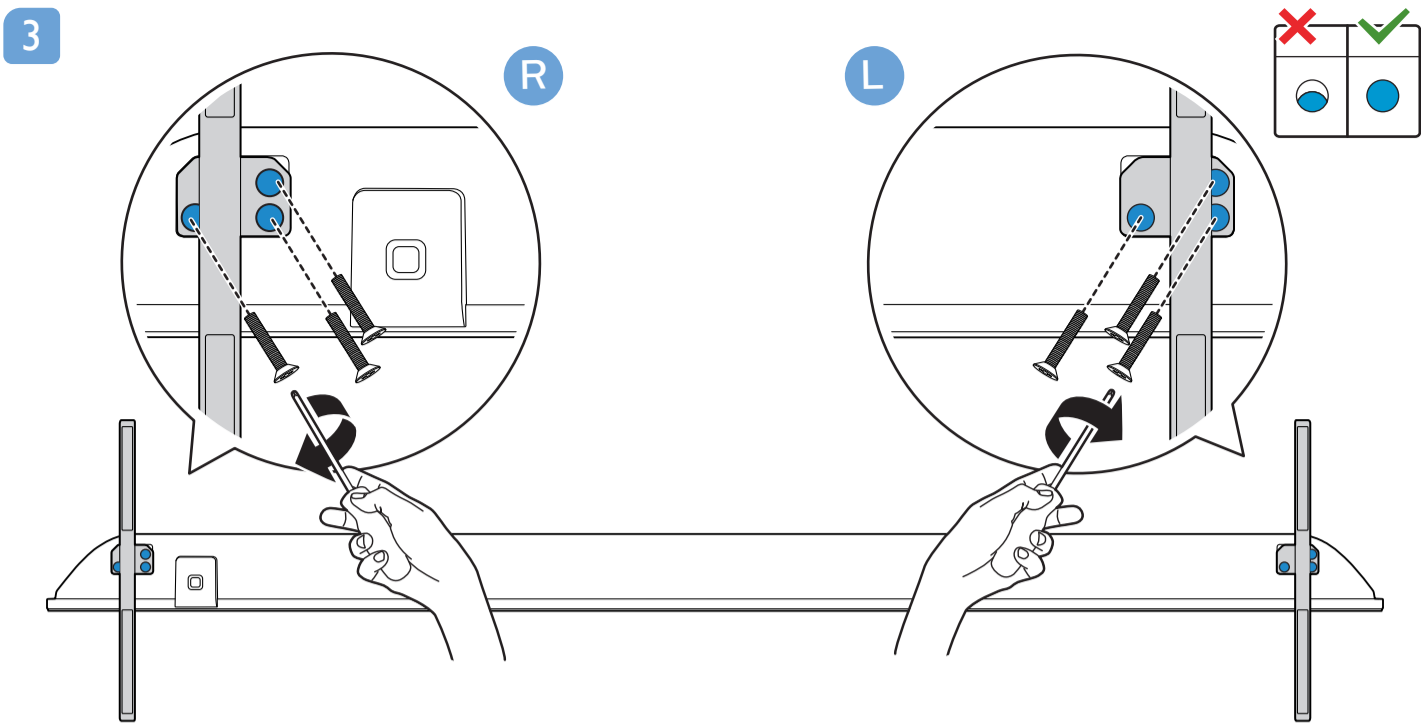


1



2

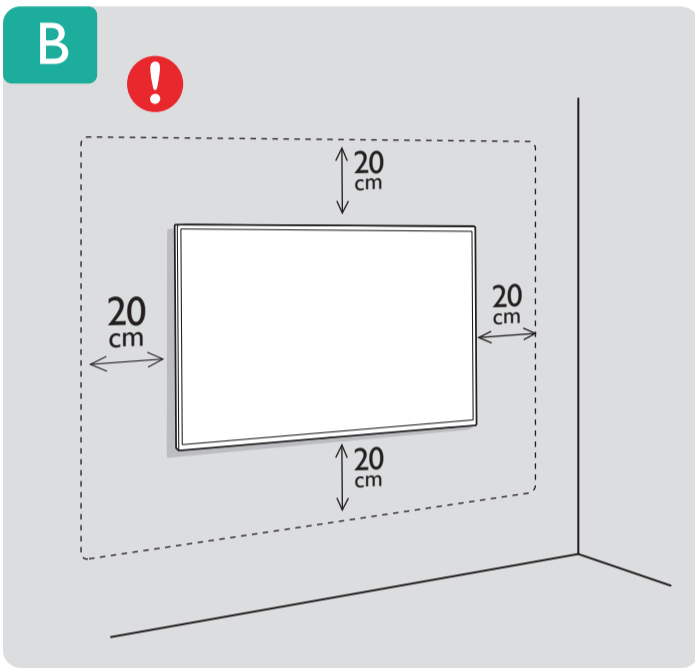
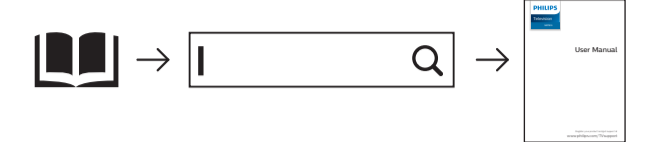




English Read the safety instructions.  
Español Lea la información de seguridad.

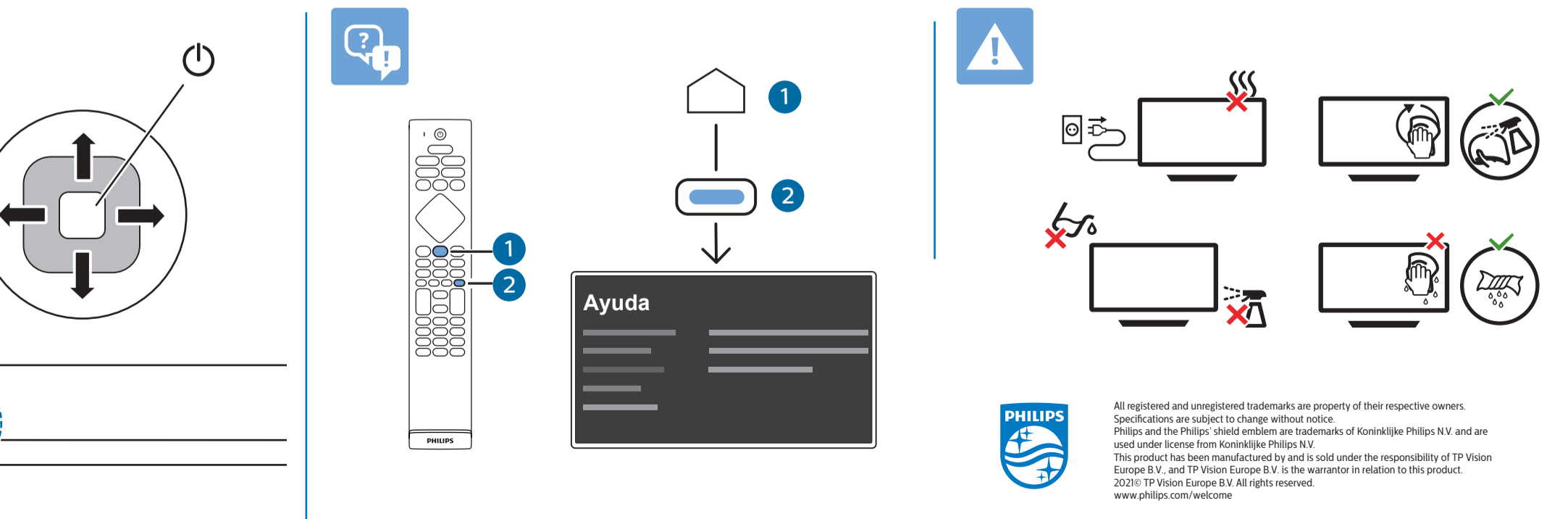
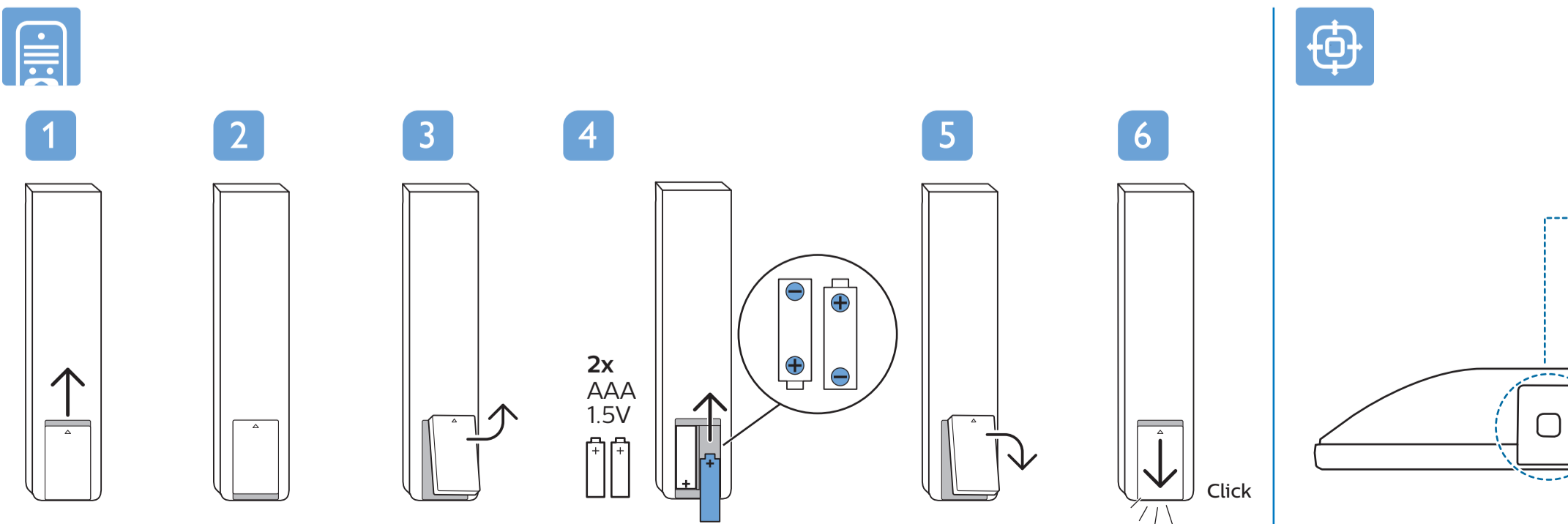
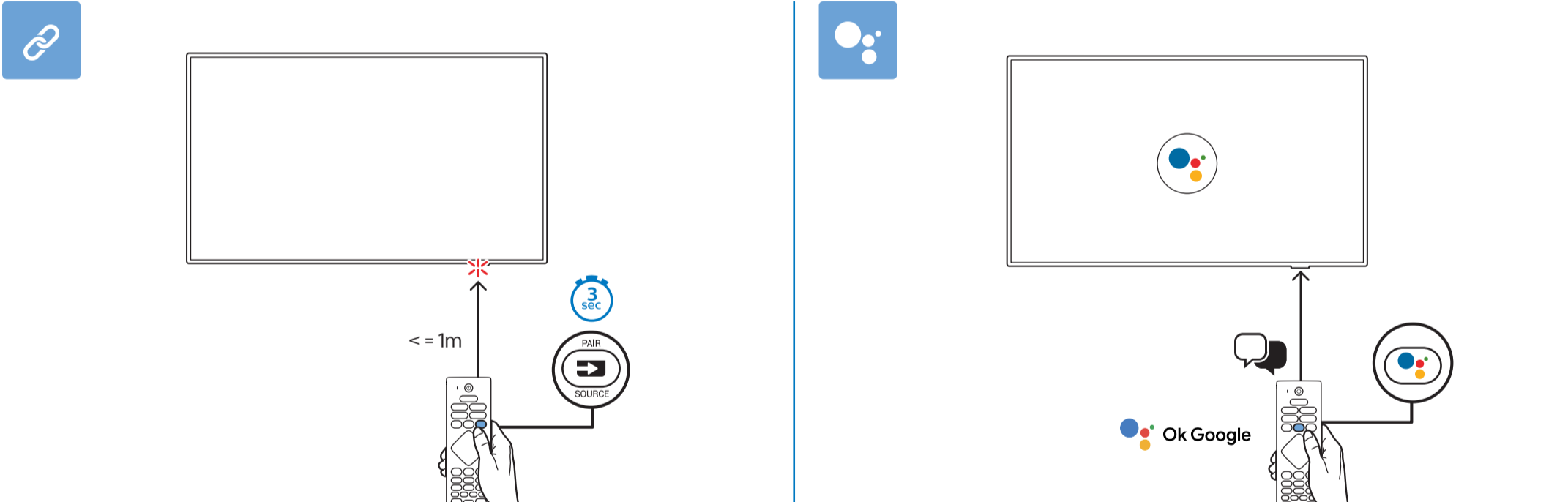
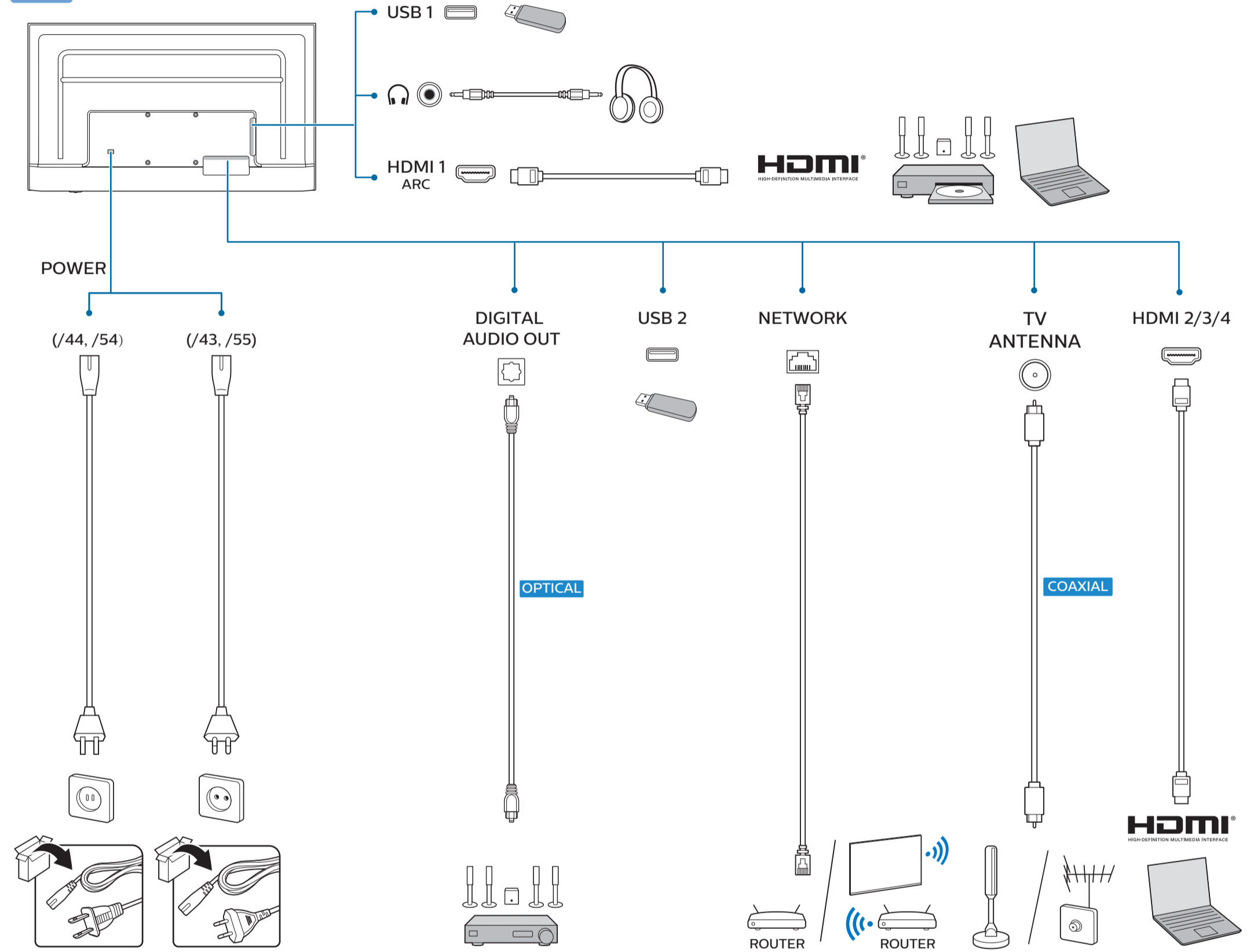
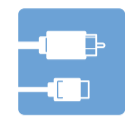
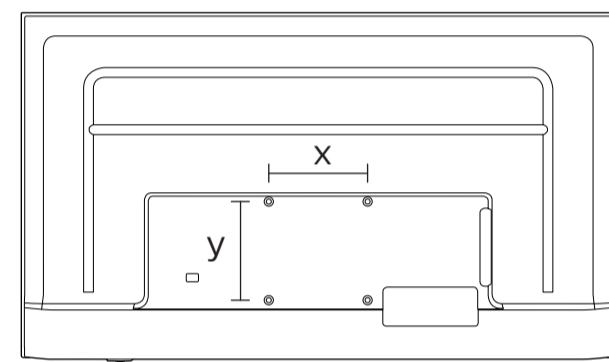
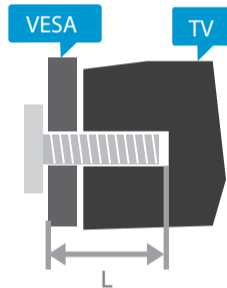


Registre su producto y obtenga asistencia en [www.philips.com/TVsupport](http://www.philips.com/TVsupport)



**VESA (x, y)**

- 43" 100x200mm M6 (L: 10mm~12mm) 108 cm
- 50" 100x200mm M6 (L: 18mm~22mm) 126 cm
- 55" 200x300mm M6 (L: 14mm~16mm) 139 cm
- 65" 300x300mm M6 (L: 18mm~22mm) 164 cm
- 70" 300x300mm M8 (L: 10mm~22mm) 177 cm



PHILIPS  
All registered and unregistered trademarks are property of their respective owners. Specifications are subject to change without notice. Philips and the Philips shield emblem are trademarks of Koninklijke Philips N.V. and are used under license from Koninklijke Philips N.V. This product has been manufactured by and is sold under the responsibility of TP Vision Europe B.V. and TP Vision Europe B.V. is the warrantor in relation to this product. 2021© TP Vision Europe B.V. All rights reserved. [www.philips.com/welcome](http://www.philips.com/welcome)