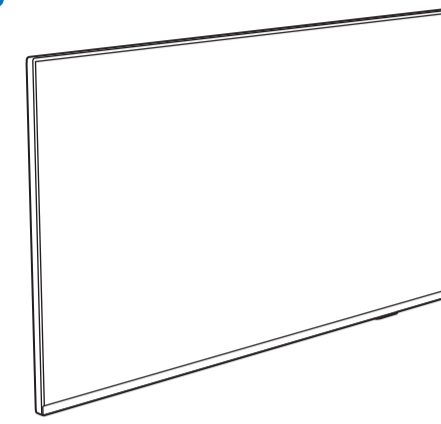


PHILIPS

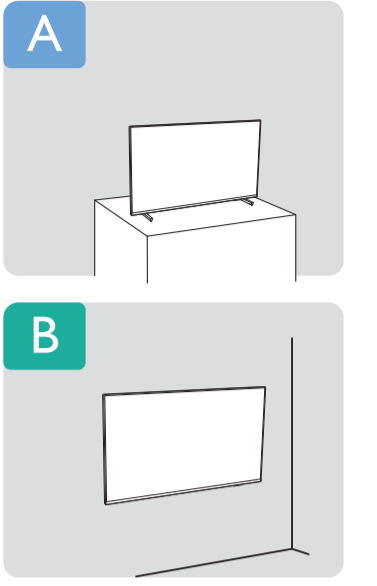
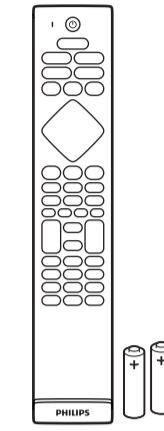
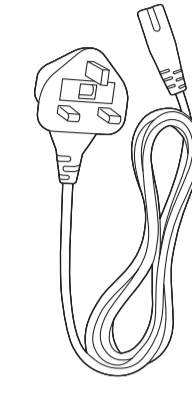
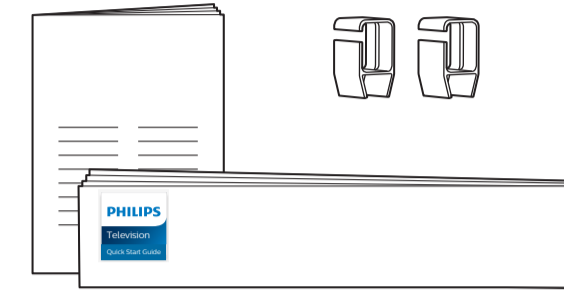
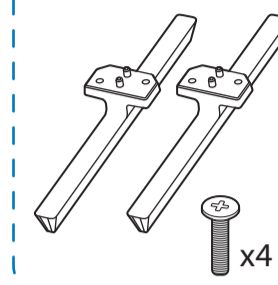
Television

Quick Start Guide

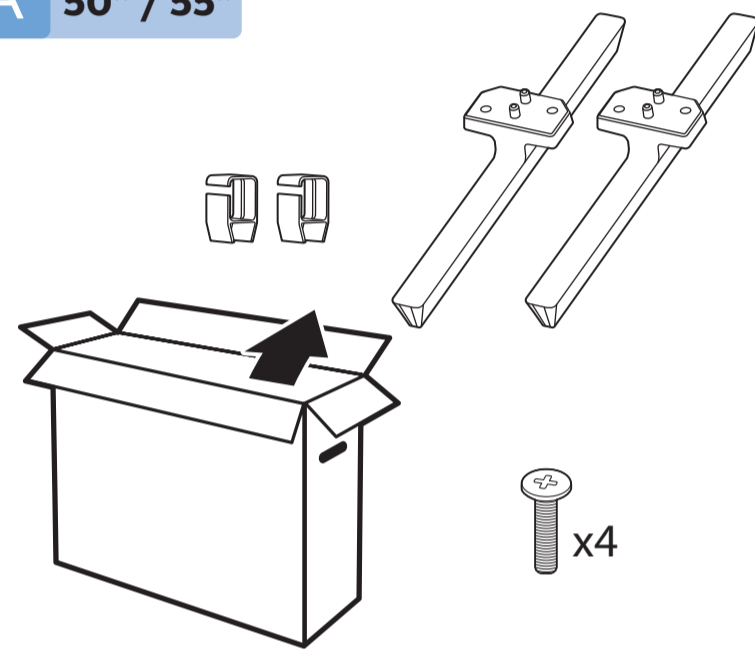
7906 series



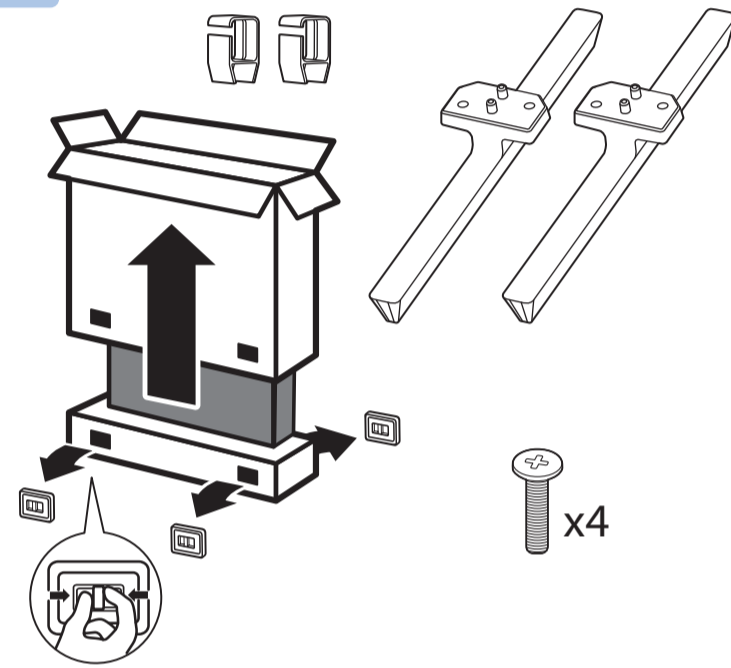
50"/55"/65"



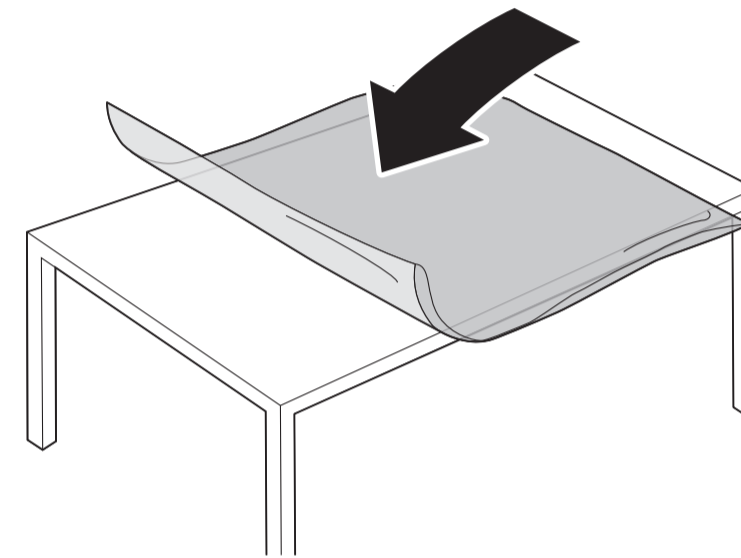
A 50" / 55"



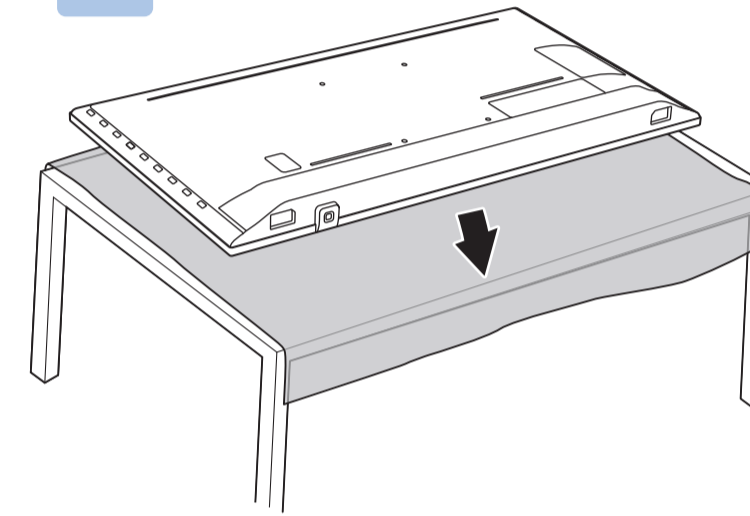
65"



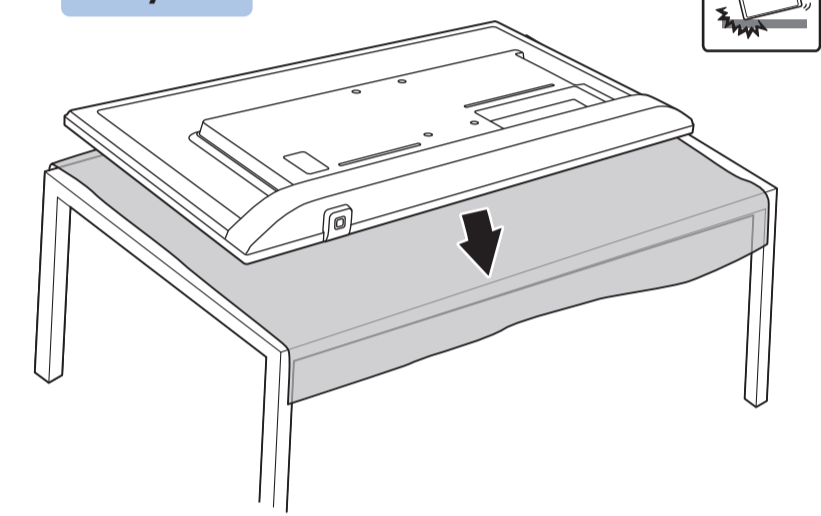
1



50"



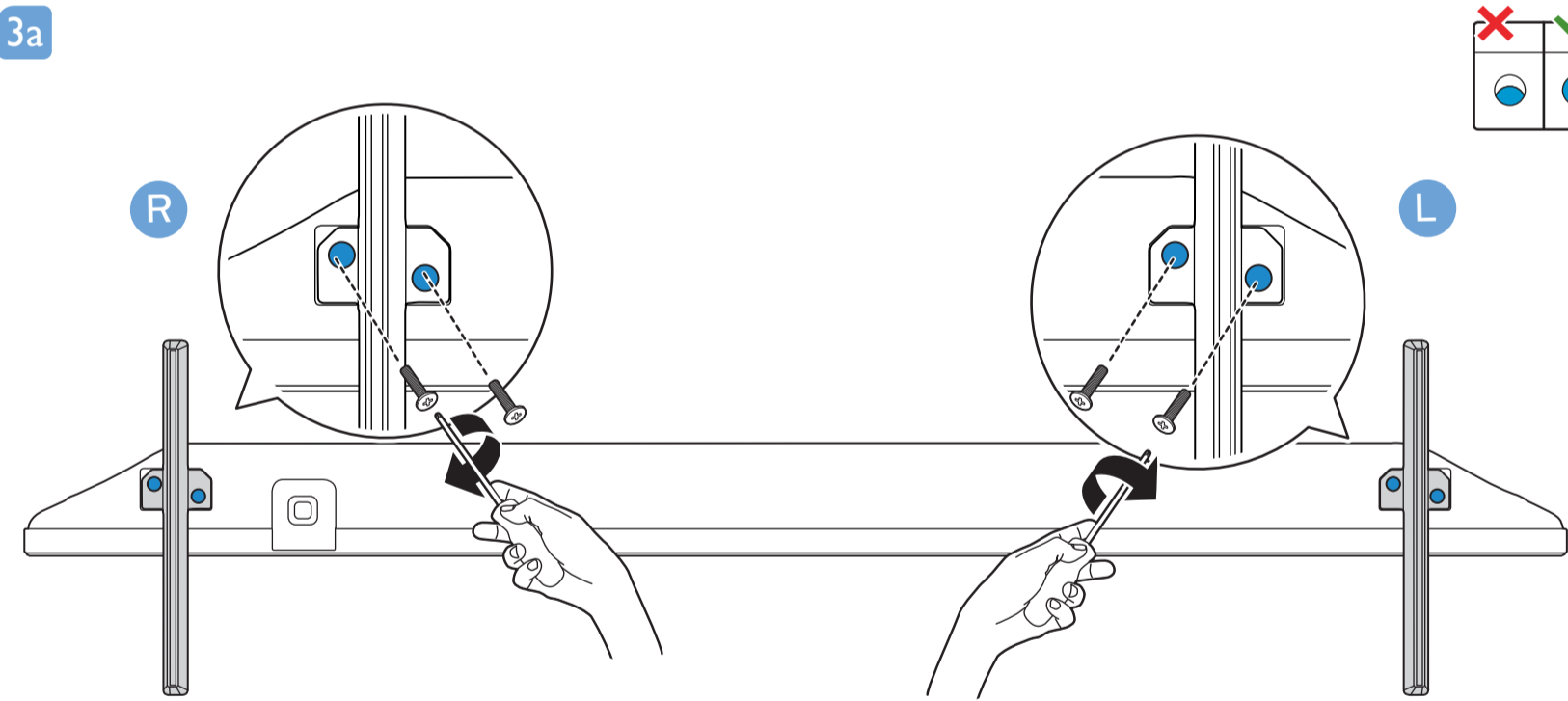
55" / 65"



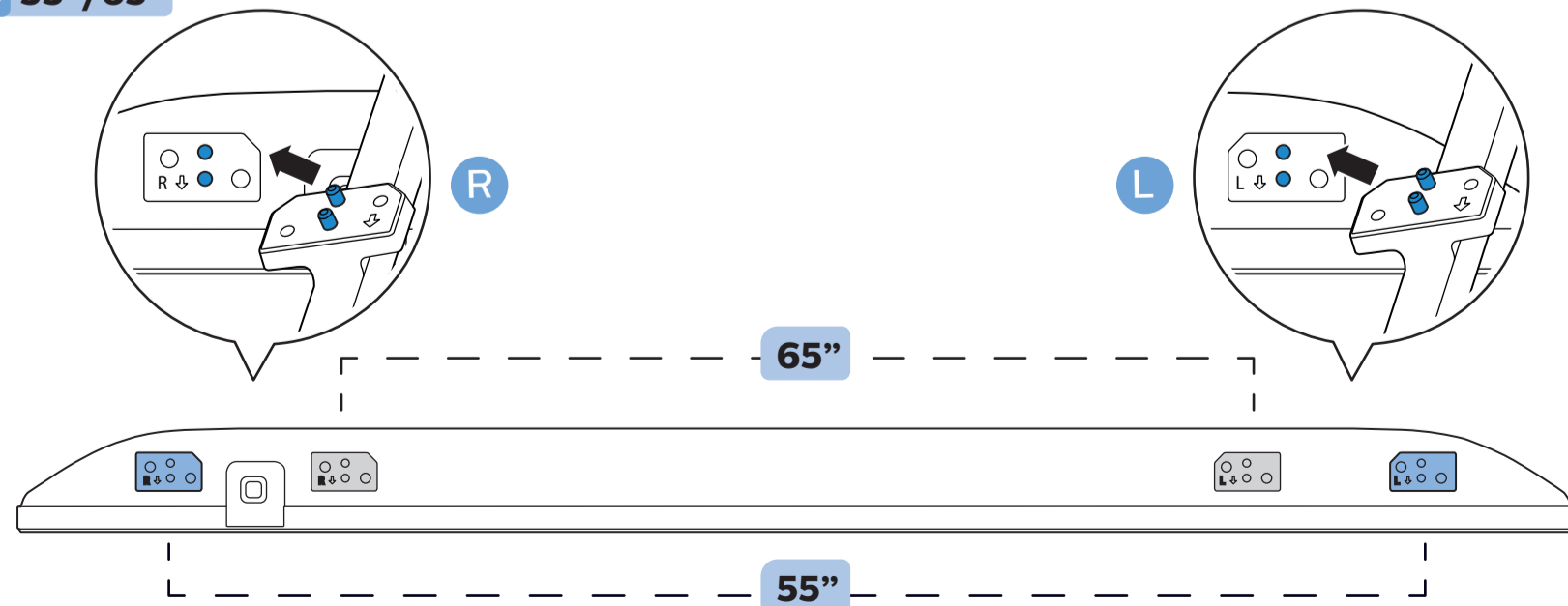
2a 50"



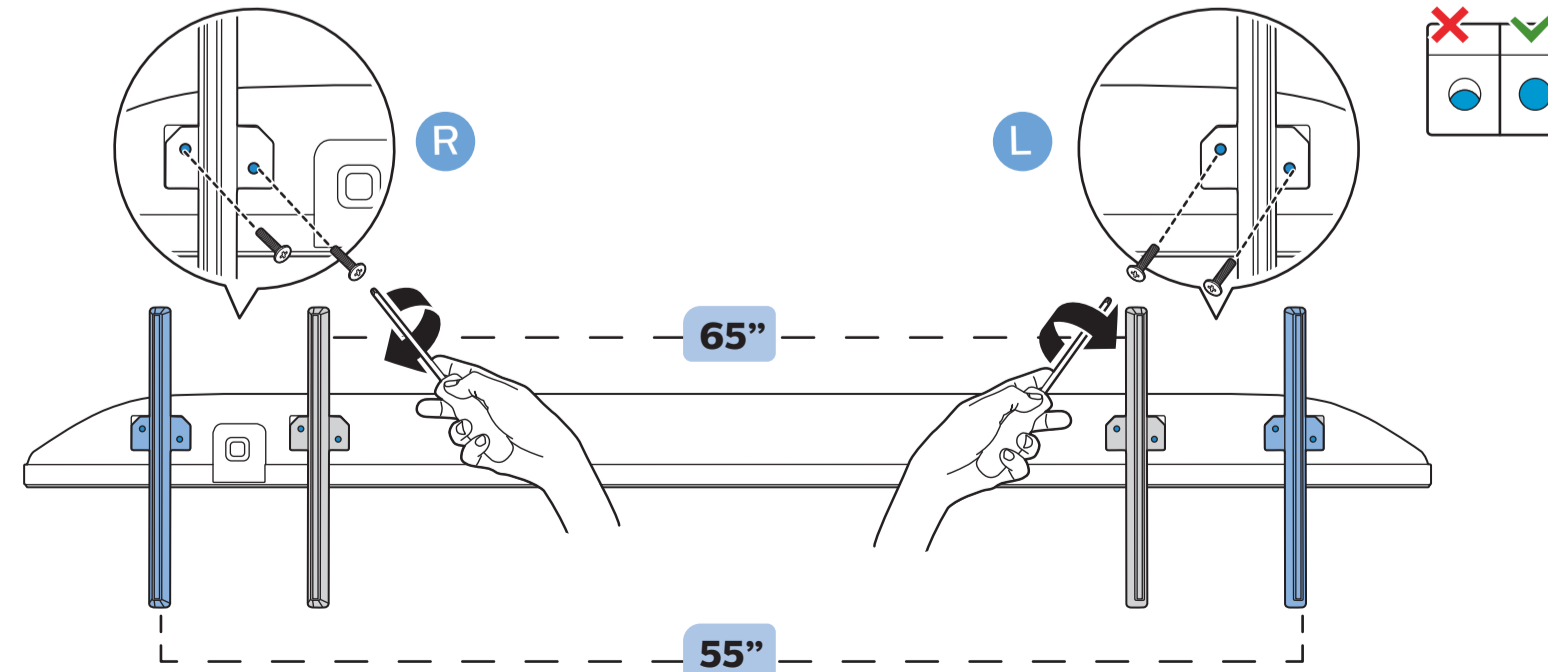
3a



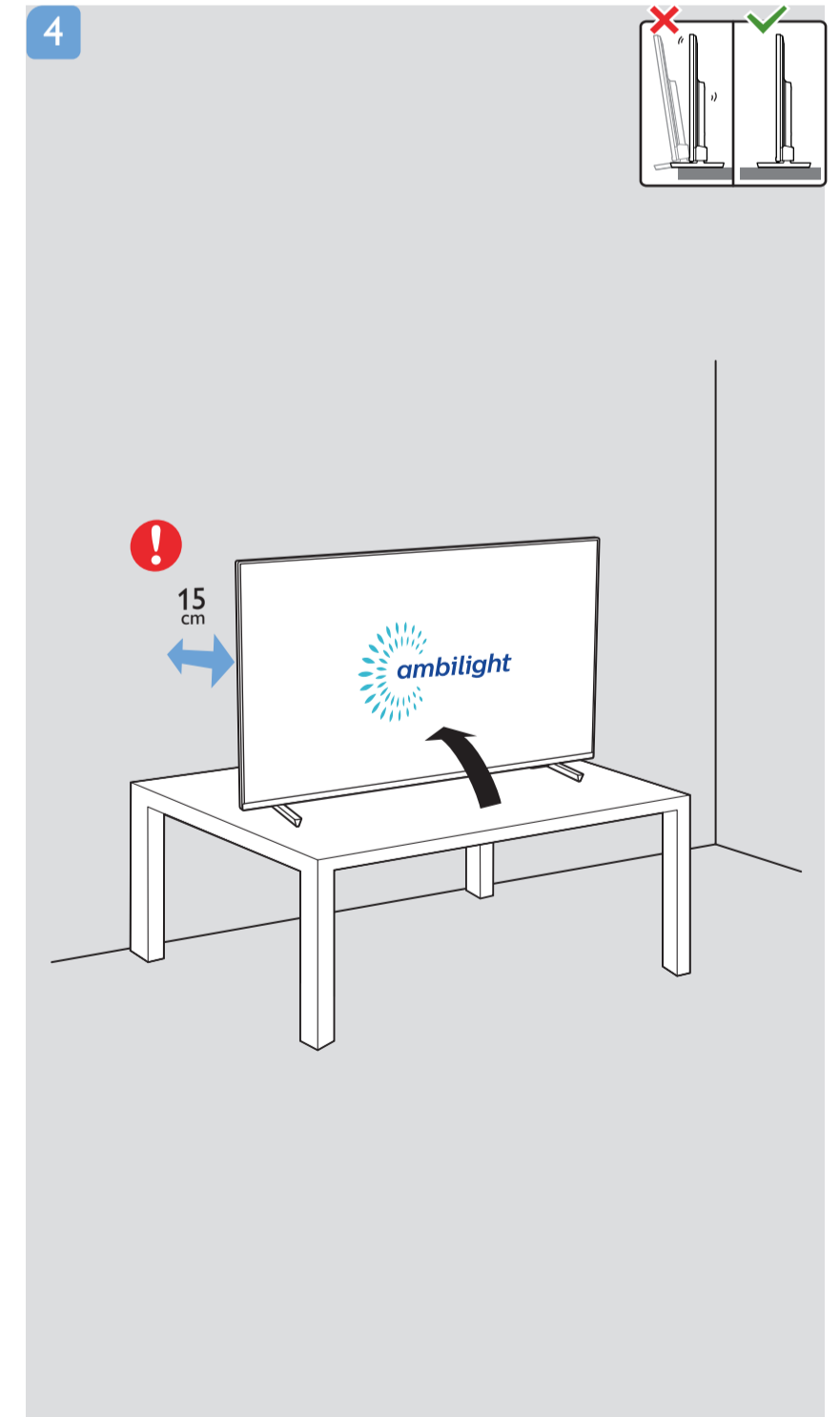
2b 55"/65"

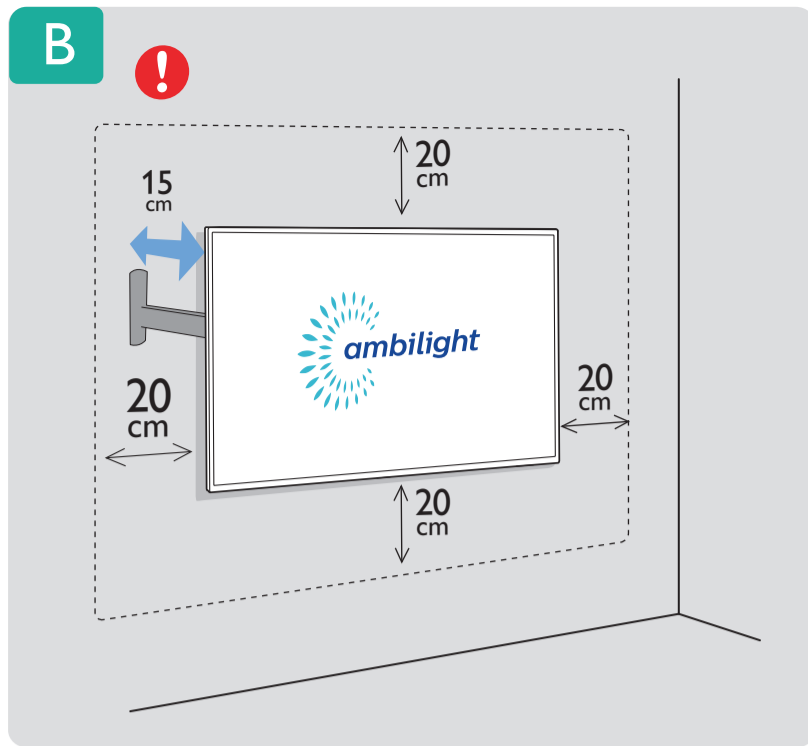
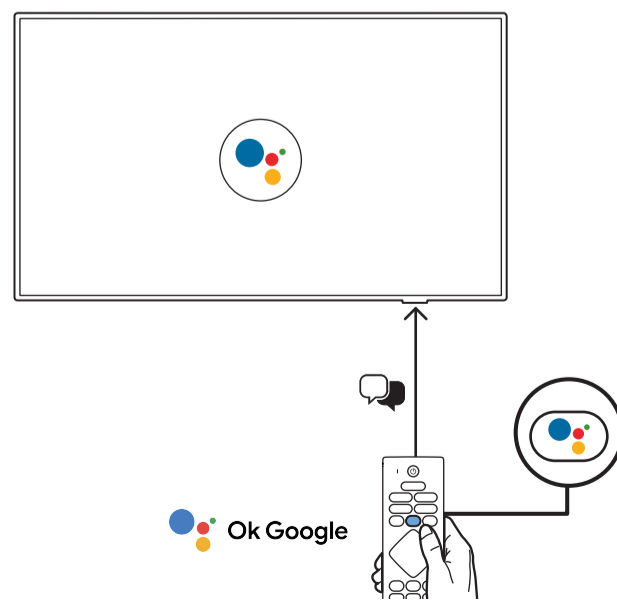
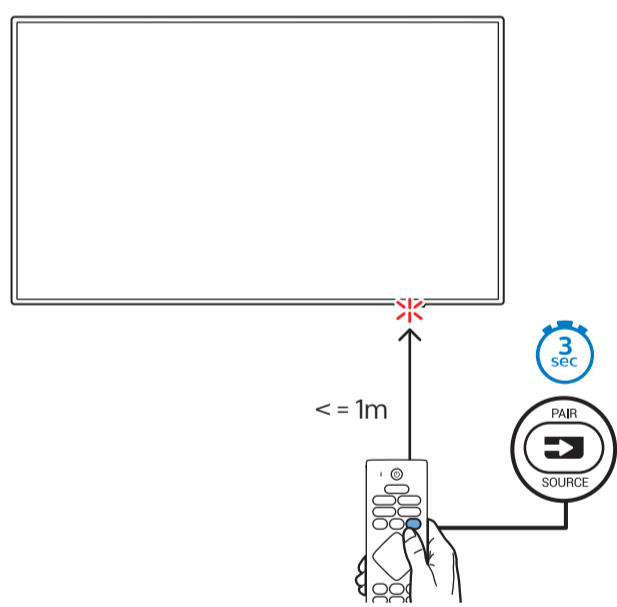
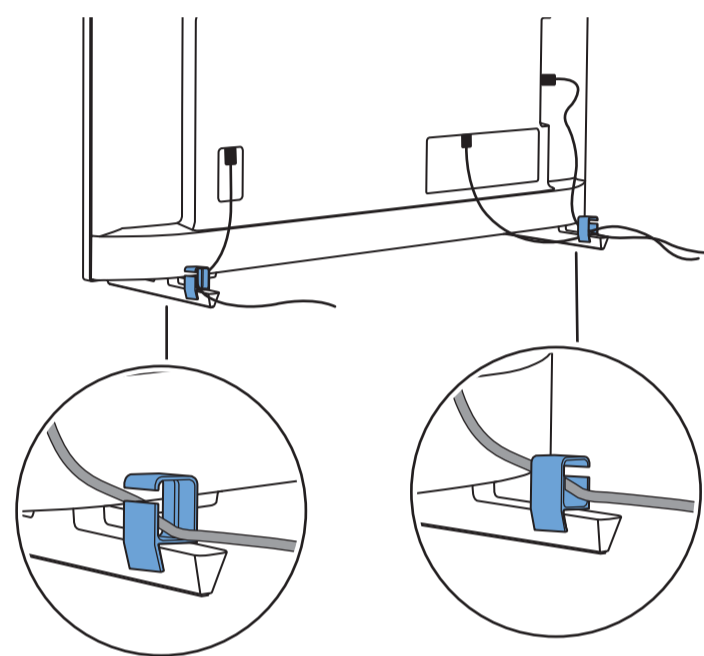
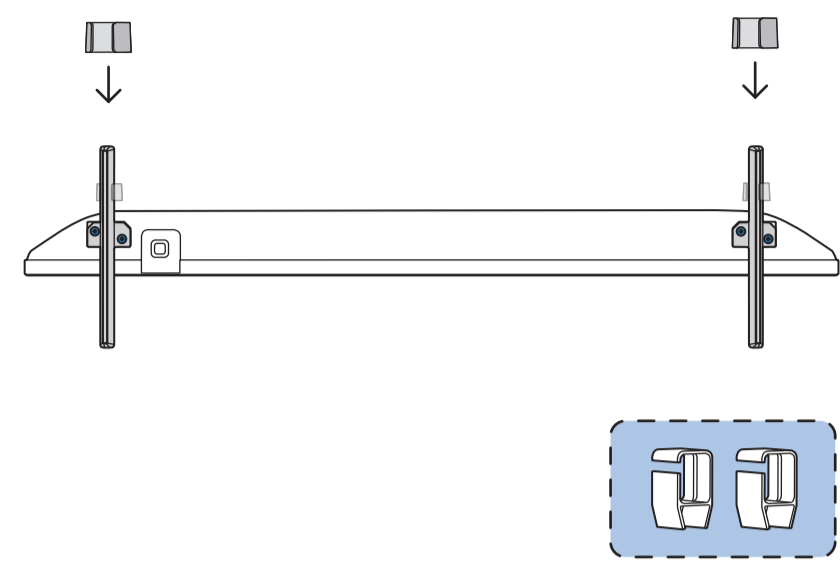


3b



4



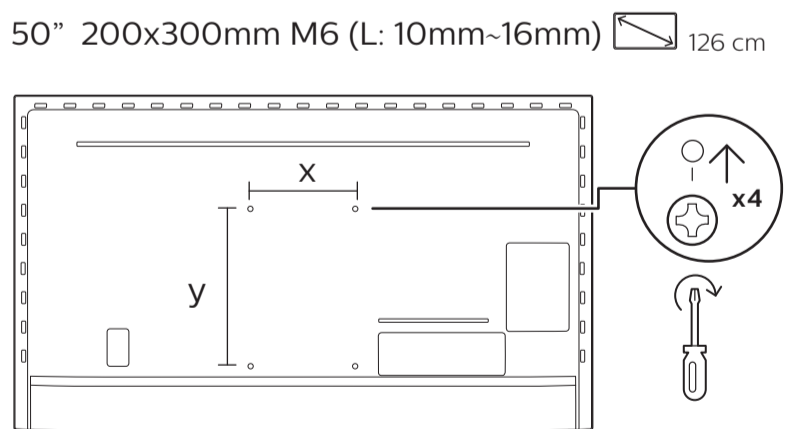
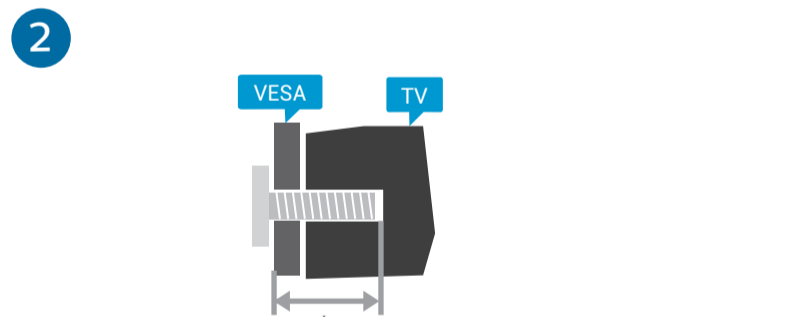
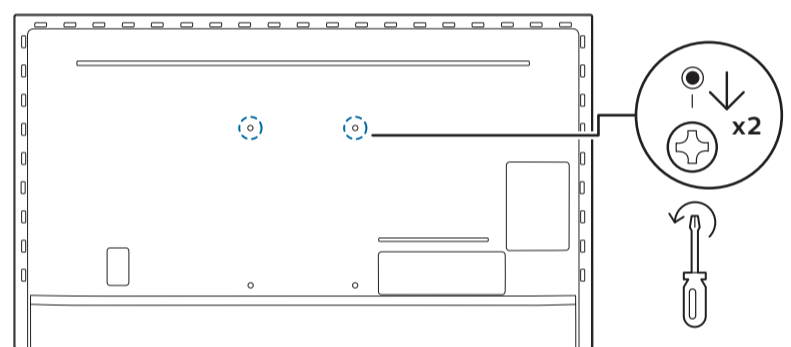


VESA (x, y)

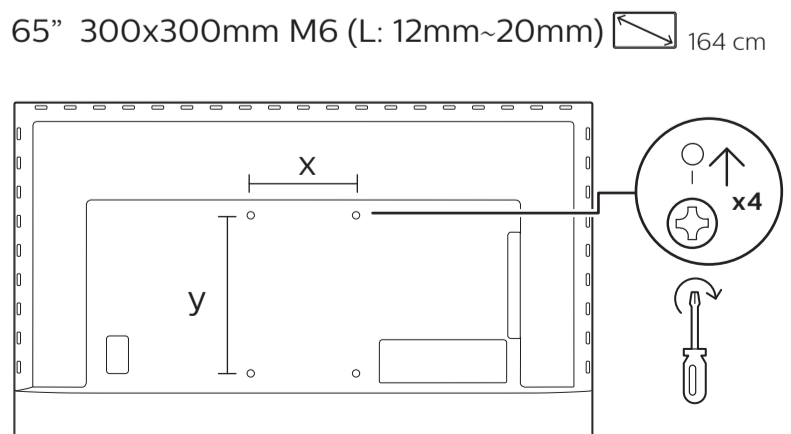
1 50"

溫馨提示：壁掛安裝時，請先將機器壁掛鎖附位置的螺絲(已安裝)取出，此螺絲非標準壁掛螺絲，請勿使用。

Kind Reminder: if you decide to wall mount your TV, kindly remove the existing screws from the TV back-cover first. These screws are not wall mounting screws and must be removed before you start any wall mount installation.



55" 200x300mm M6 (L: 10mm~16mm) 139 cm



65" 300x300mm M6 (L: 12mm~20mm) 164 cm



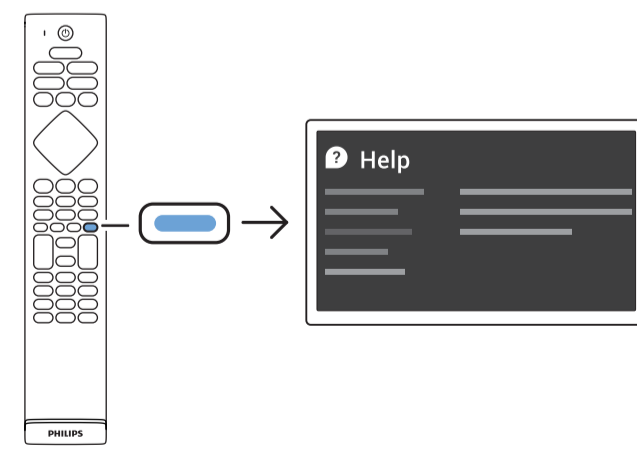
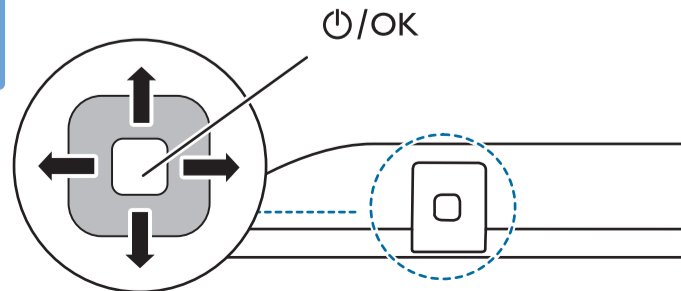
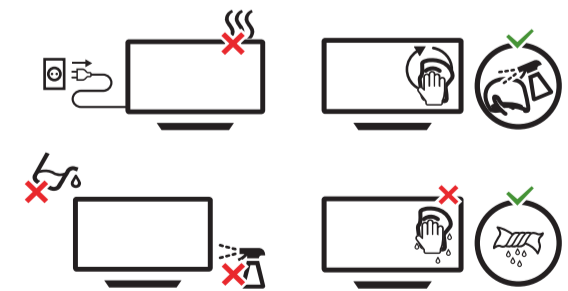
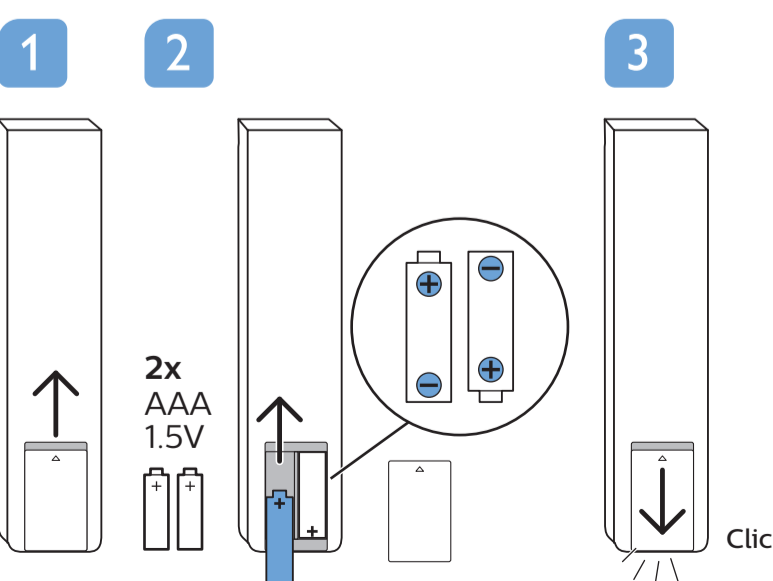
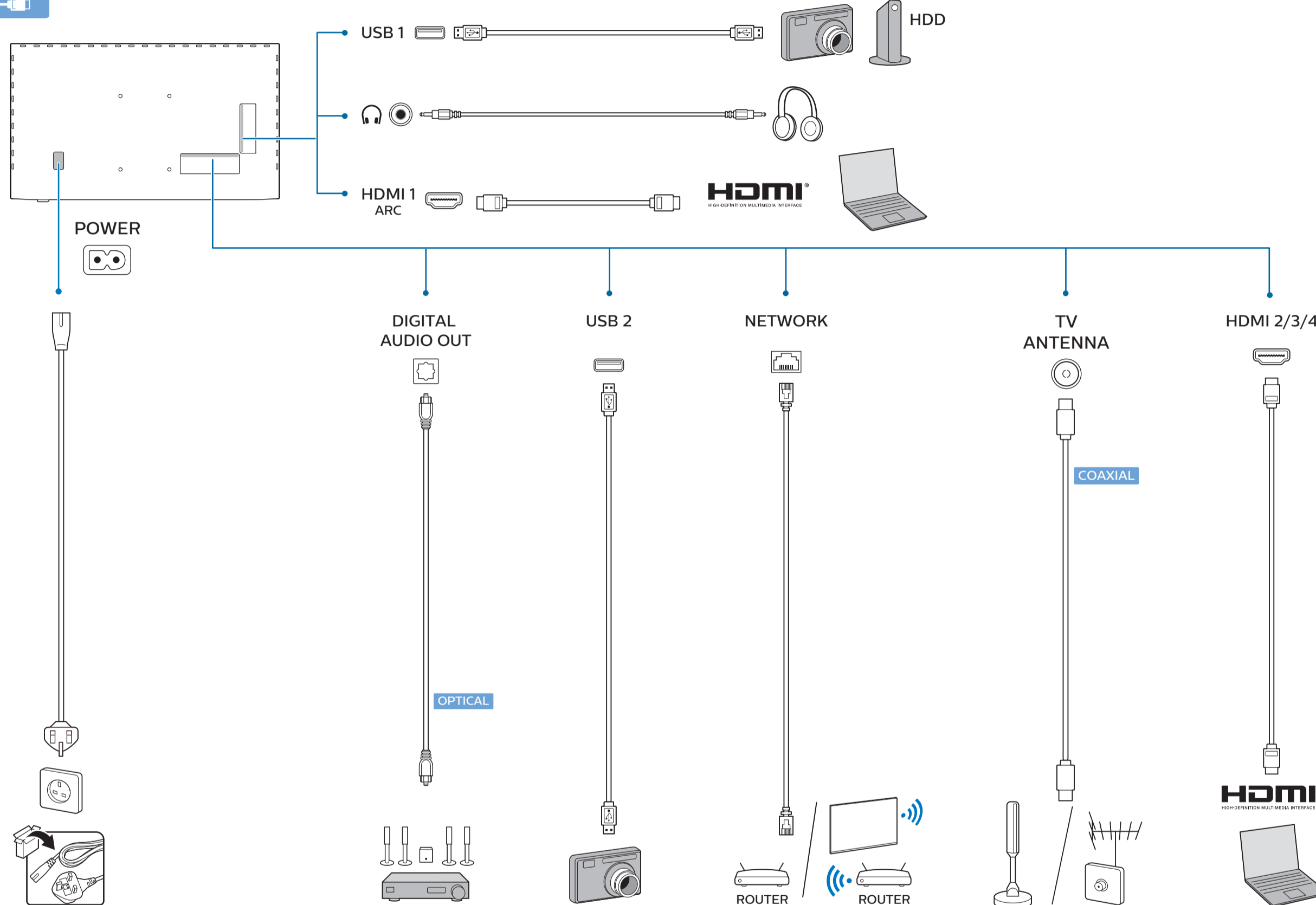
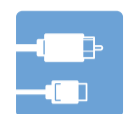
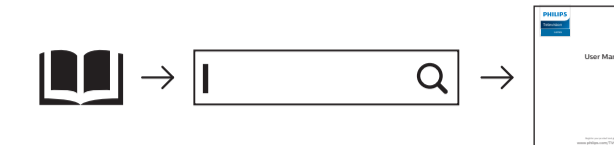
English Read the safety instructions.

繁體中文 請閱讀安全說明。

简体中文 請閱讀安全說明。



Register your product and get support at www.philips.com/TVsupport



PHILIPS logo and legal disclaimer text: All registered and unregistered trademarks are property of their respective owners. Specifications are subject to change without notice. Philips and the Philips shield emblem are trademarks of Koninklijke Philips N.V. and are used under license from Koninklijke Philips N.V. This product has been manufactured by and is sold under the responsibility of TP Vision Europe B.V. and TP Vision Europe B.V. is the warrantor in relation to this product. 2020 TP Vision Europe B.V. All rights reserved. www.philips.com/welcome