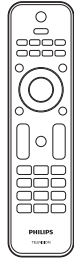
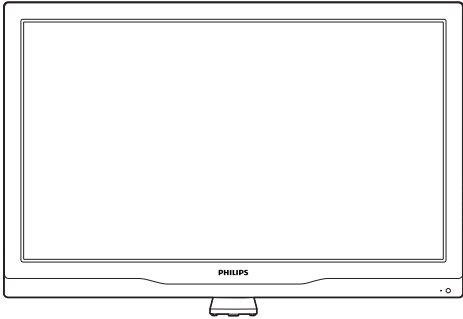




Z41G783081318A

Quick Start

PHILIPS



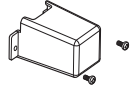
AAA



China



Singapore
Malaysia

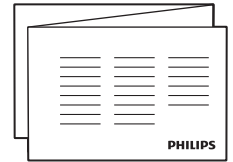


Quick
Start

PHILIPS

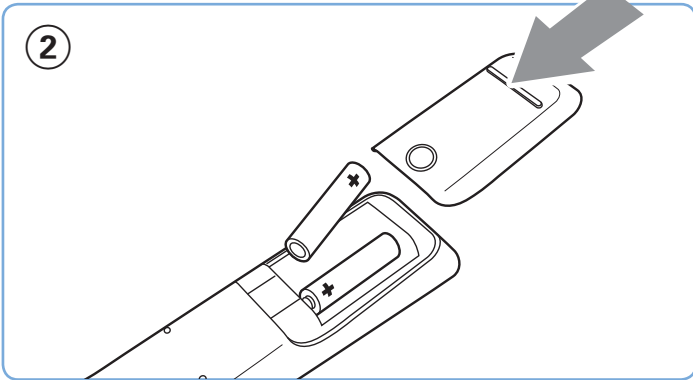
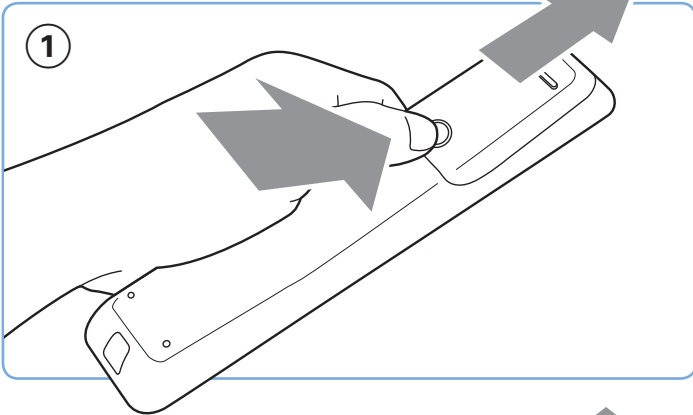


PHILIPS

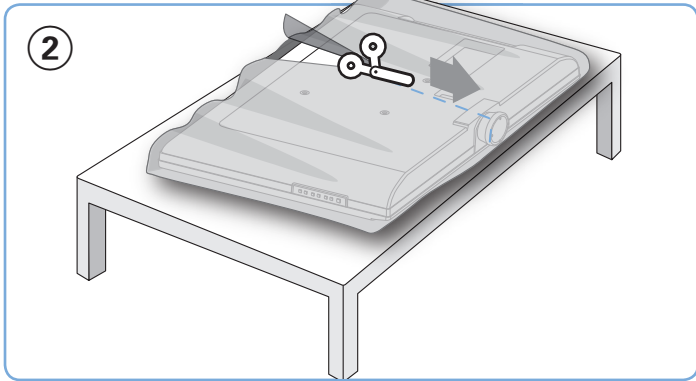
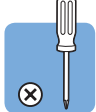


PHILIPS

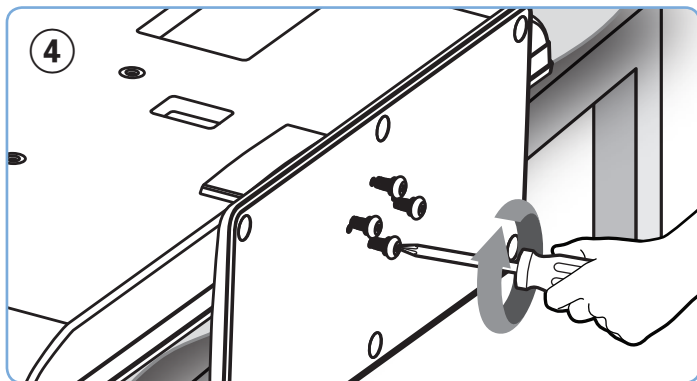
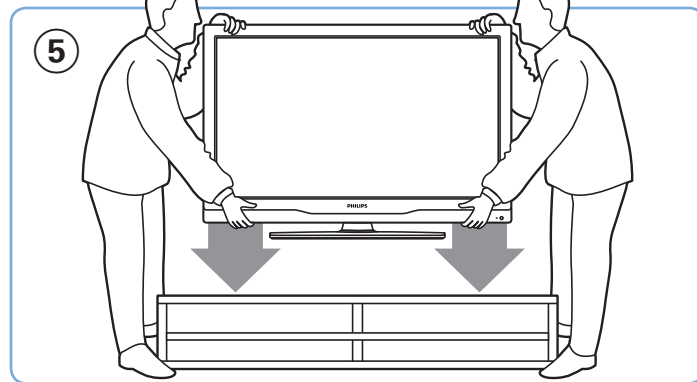
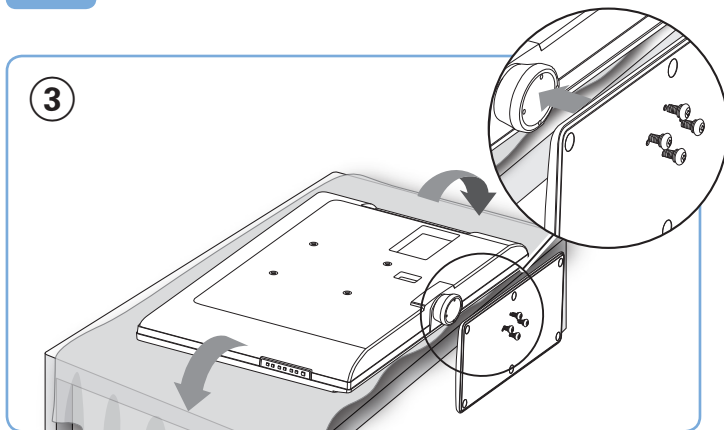
1



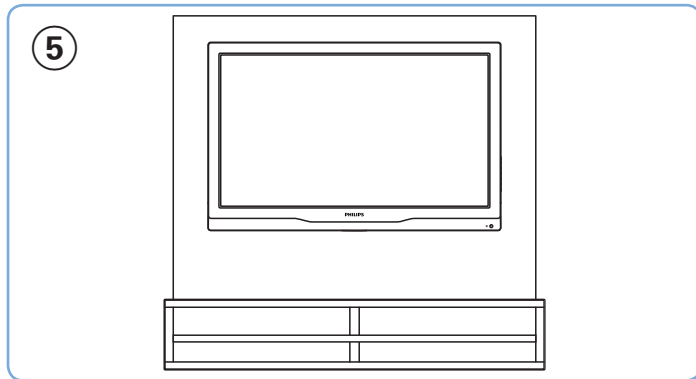
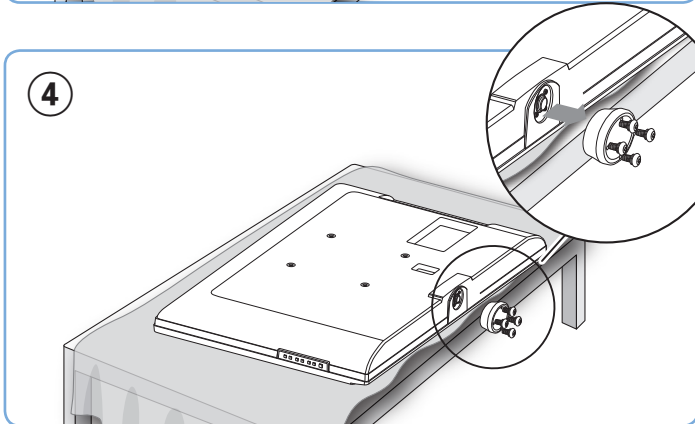
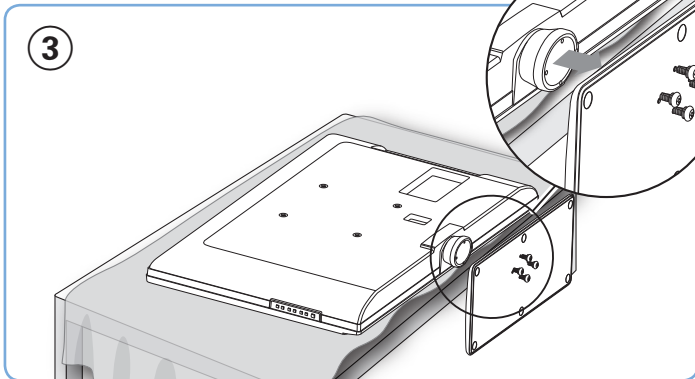
2

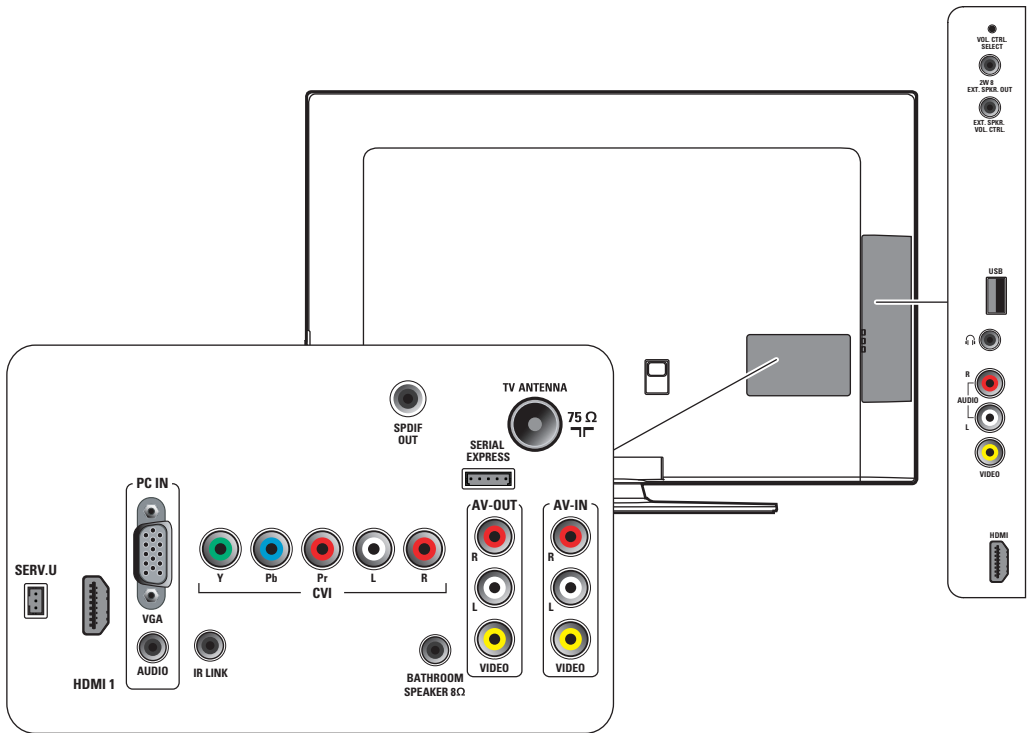


2a



2b





HDMI ★★★★★

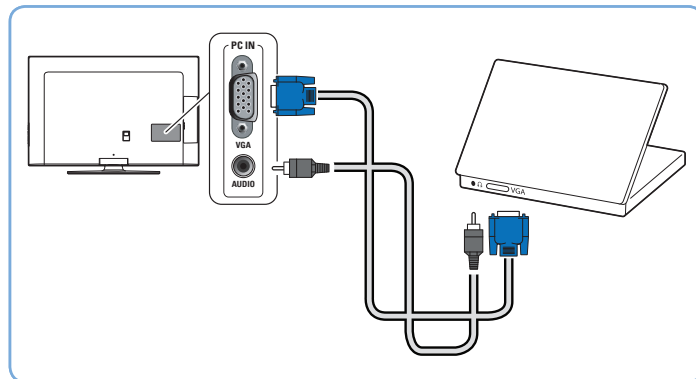
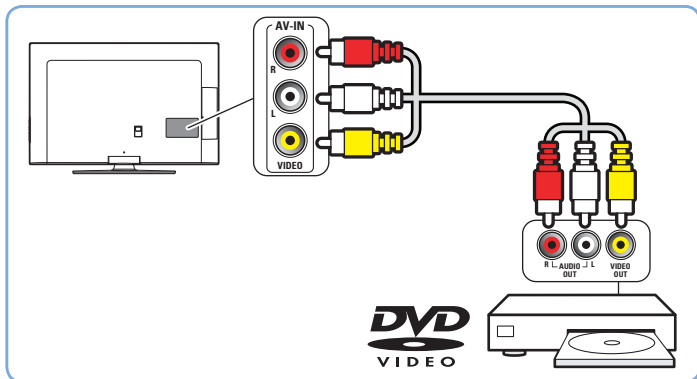
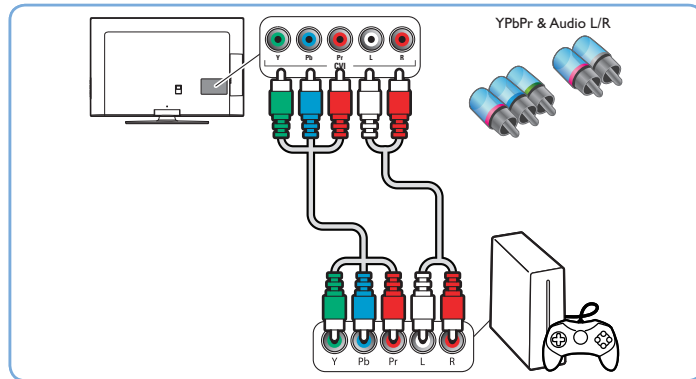
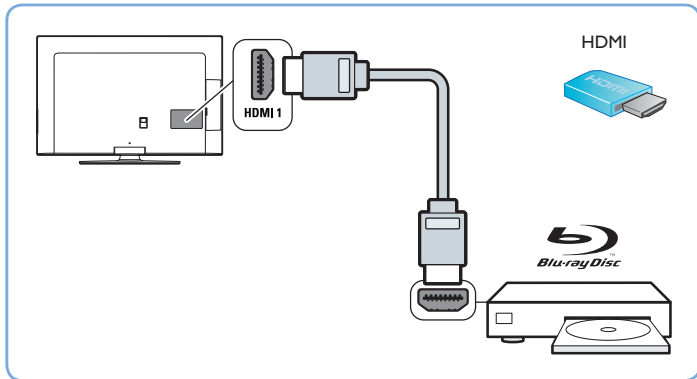


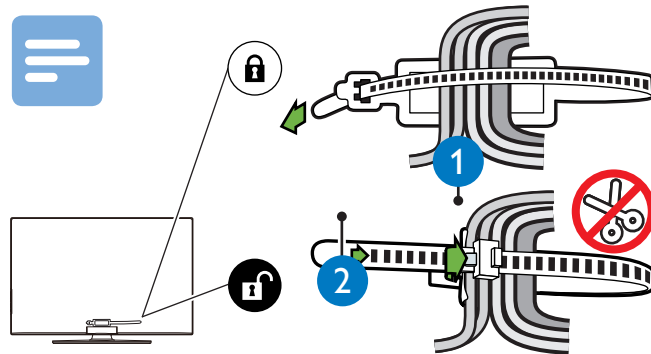
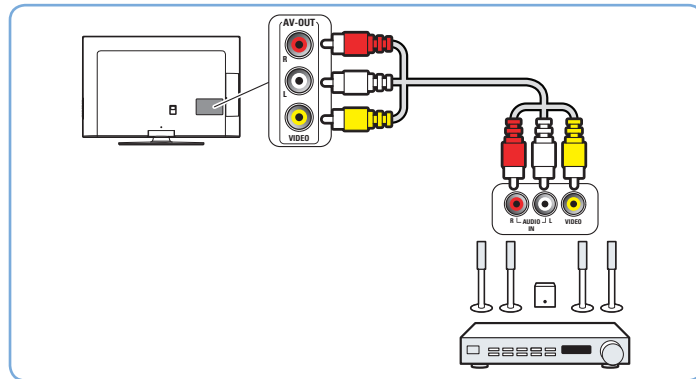
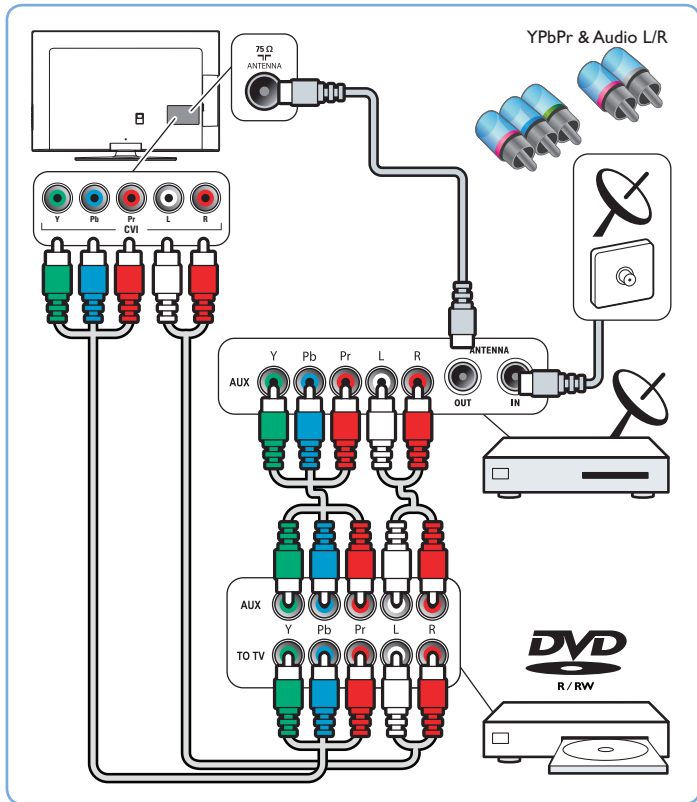
YPbPr & AUDIO L/R ★★★★★

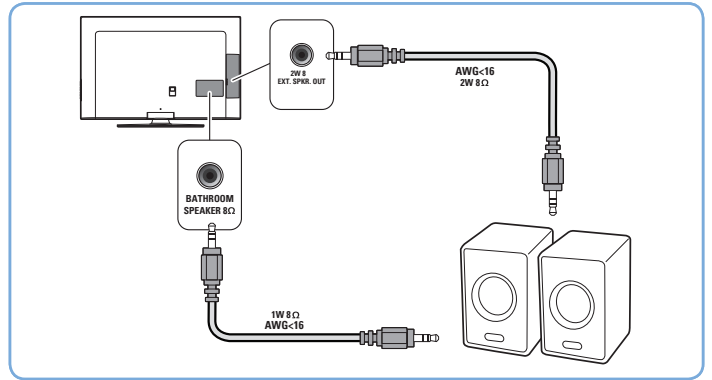
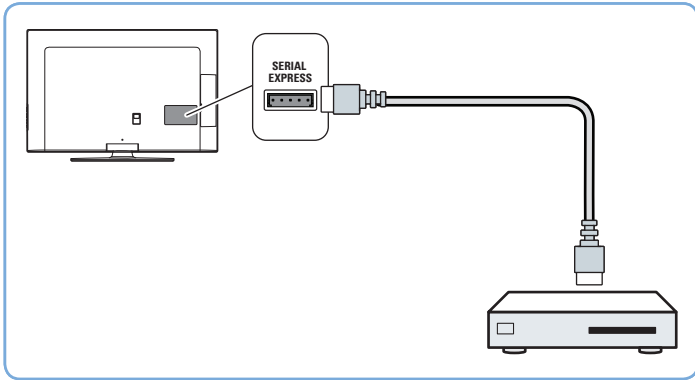
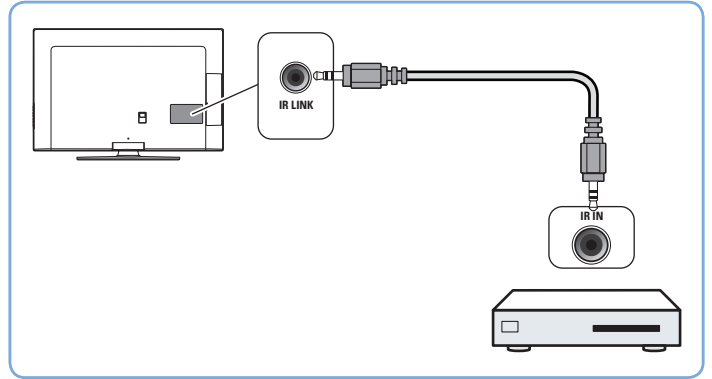
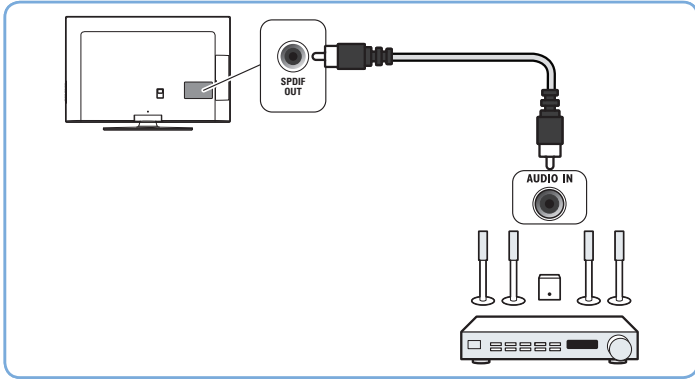


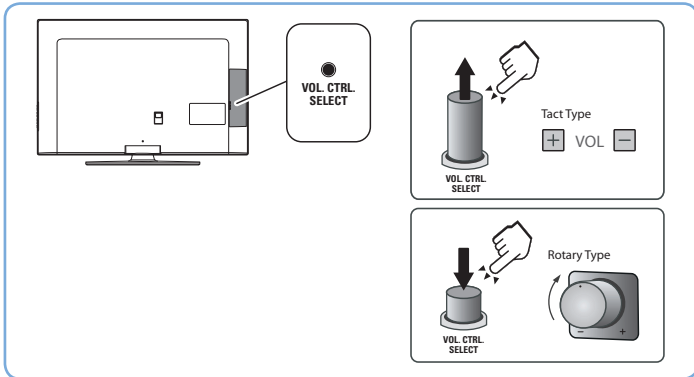
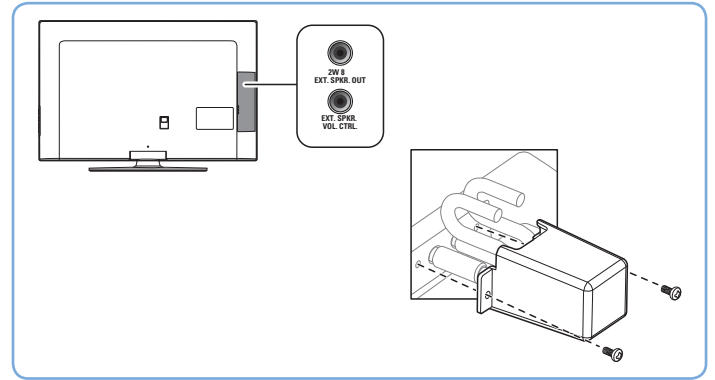
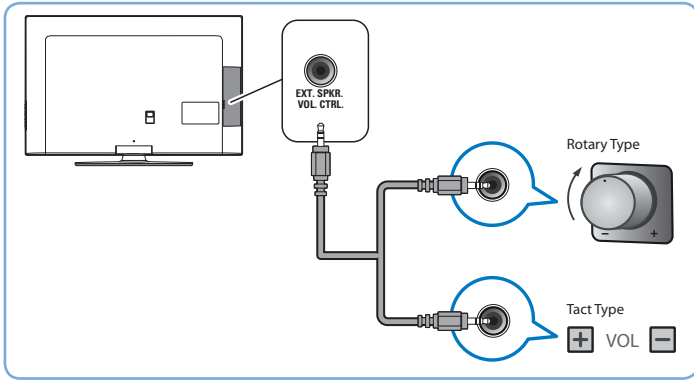
AUDIO L/R & VIDEO IN ★



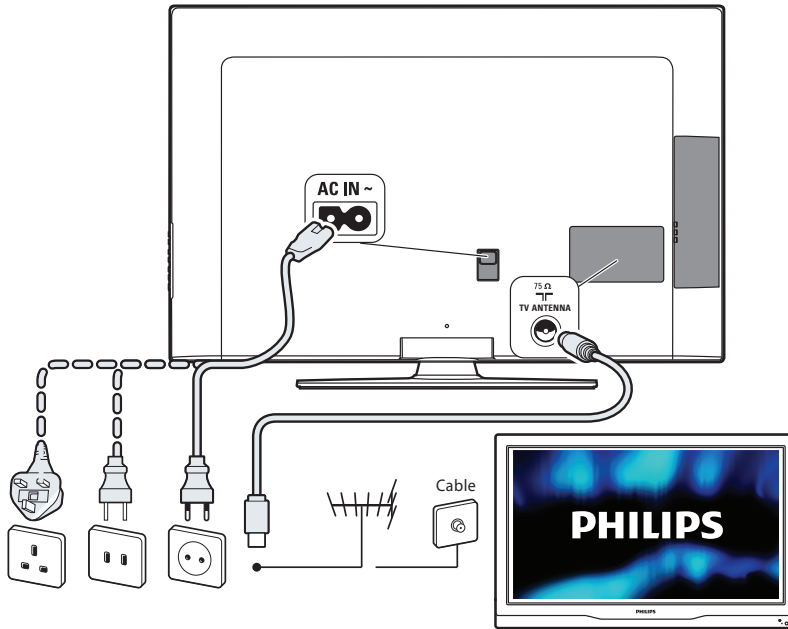




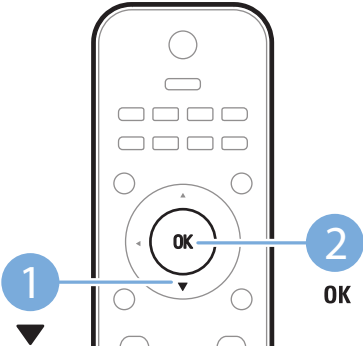


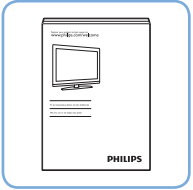


4



5







Non-contractual images. / Images non contractuelles. / Außervertragliche Bilder.

All registered and unregistered trademarks are property of their respective owners.

Specifications are subject to change without notice
Trademarks are the property of Koninklijke Philips Electronics N.V. or their respective owners
2010 © Koninklijke Philips Electronics N.V. All rights reserved

www.philips.com