

# PHILIPS



## Professional TV

65" B-Line  
powered by Android™



65BFL2114

## Professional productivity with Chromecast built-in and HDMI hotplug

Boost productivity. Philips B-Line seamlessly integrates into corporate systems for efficient control. Chromecast built-in ensures presentations run smoothly with instant wireless media sharing from Windows, Apple and Android™ devices.

### Smart control features

- Compatible with Extron and Neets systems
- Crestron Connected certified system integration
- Install and manage apps remotely with AppControl
- Operate, monitor and maintain via CMND & Control
- Scheduler for content playback at selected times
- SmartInfo for custom content even when offline

### Vibrant and efficient

- Android updates provide the latest functionality
- Google Play Store access for apps and media
- HDMI hotplug detection with auto on/off function
- Superb audio quality without external speakers
- UHD resolution for attention grabbing content
- Chromecast built-in for wireless content sharing

# Highlights

## Chromecast built-in

Make meetings run smoother and faster with seamless wireless connectivity to the big screen from any Apple, Windows or Android™ device. Chromecast built-in enables instant casting of presentations and media from mobiles, laptops, and tablets in up to 4K resolution. It's cost-effective, requires no extra hardware, and is secure for corporate use.

## HDMI hotplug detection

When wireless connectivity is not an option, HDMI hotplug detection recognises direct cabled connections from presentation sources and automatically handles source changes and on/off functioning.

## Powered by Android

Android-powered Philips Professional Displays are fast, versatile and easy to navigate. The displays are optimised for native Android apps

and you can install web apps directly to the display too. Automatic updates ensure apps stay up to date.

## Google Play Store access

Full access to the entire Google Play Store makes it easy to add apps, games, music, movies, and more to your Philips Professional Display. New business tools and extra entertainment options are added to the catalogue daily, ensuring that you always have access to the latest global trends.

## Crestron Connected certified

Connect this Philips Professional Display to your Crestron network for full remote control via your laptop, desktop or mobile device. Switch the display on and off, schedule content, manage settings, and easily connect external devices. Crestron Connected® provides a fast, reliable and secure enterprise level solution for wireless and wired content sharing from Apple, Windows, Android and Linux devices.

## Scheduler for content playback

Built-in scheduler makes it easy to launch content and apps based on time of day for a more engaging environment with better results.

## CMND & Control

Run your display network over a local (LAN or RF) connection. CMND & Control allows you to perform vital functions like updating software and settings, as well as monitoring display status. Whether you're in charge of one TV or more, CMND & Control makes managing your fleet easy.

## AppControl

Take full, centralised control of the apps installed on your Philips Professional Displays. AppControl lets you install, delete, and manage apps on selected Displays or your entire network so that you can offer personalized experiences to your guests and customers-no matter how many displays you are managing.

# Specifications

## Picture/Display

**Diagonal screen size (inch):** 65 inch  
**Diagonal screen size (metric):** 164 cm  
**Display:** 4K Ultra HD LED  
**Panel resolution:** 3840x2160p  
**Brightness:** 350 cd/m<sup>2</sup>  
**Contrast ratio (typical):** 1200:1  
**Operation Mode:** Landscape, 16/7

## Supported Display Resolution

**Tuner:** Others: up to 1920x1080p@60Hz, T2  
HEVC: up to 3840x2160@60Hz  
**USB, LAN:** HEVC: up to 3840x2160@60Hz,  
Others: up to 1920x1080p@60Hz  
**HDMI 1/2:** Up to 3840x2160p @60Hz

## Tuner/Reception/Transmission

**Digital TV:** DVB-T/T2/C, HEVC UHD (up to 2160p60)  
**Analog TV:** PAL  
**IP Playback:** Multicast, Unicast, HLS, OTT App Channels

## Android TV

**OS:** Android TV™ 9 (Pie)  
**Pre-installed apps:** YouTube, Google Play Store\*, Google Play Music, Google Play Movies, Google Play Games  
**Memory size(Flash):** 16GB\*

## Corporate Features

**Wired Presentations:** Auto Input Selection, Auto Power ON, Auto Power OFF  
**Wireless Presentations:** Chromecast built-in, Secure Sharing, Network-managed Sharing  
**Signage Functions:** CMND&Create, Scheduler, Banners  
**Control:** Crestron Connected (v2), Extron, Neets  
**Customizable:** Home Screen, Location Name, Device Name

## Professional TV Features

**Professional Mode:** Switch-ON Settings Control, Installation Menu Lock, Menu Lock, Volume Limitation  
**Control:** CMND IP Remote Management, JEDI Android API Control, JAPIT HTML5 Control, AppControl  
**Convenience:** Google Assistant\*, Google Account Login, >40 Supported Menu Languages, Weather Forecast  
**Safety:** Double Isolation Class II, Flame Retardant

## Multimedia

**Video playback supported:** Formats: H.264/MPEG4 AVC, MPEG1, MPEG2, MPEG4, WMV9/VC1, HEVC, Containers: AVI, MKV, VP9  
**Music formats supported:** MP3, AAC, WAV,

WMA (v2 up to v9.2), WMA-PRO (v9 and v10)  
**Subtitle formats supported:** SRT, SMI, TXT  
**Picture formats supported:** JPG, PNG, BMP, GIF

## Audio

**Sound output Power:** 20 (2x10) W  
**Speakers:** 2.0, Down Firing  
**Sound Features:** DTS-HD, Dolby Atmos Compatible, Dolby MS12D, AC-4, DTS Studio Sound  
**External speaker out:** 1.5W Mono 8 Ohm

## Power

**Mains power:** AC 220-240V; 50-60Hz  
**Ambient temperature:** 0 °C to 40 °C  
**Standby power consumption:** <0.3W  
**Energy Label Class:** F  
**Eu Energy Label power:** 98 W  
**Power Saving Features:** Eco mode  
**Annual energy consumption:** 145 kW·h  
**EPREL registration number:** 331905

# Specifications

## Accessories

**Included:** Remote Control 22AV1905A/12, 2x AAA batteries, Power Cord, RJ48 to DB9 adapter

**Optional:** Voice RC 22AV2025B/00, Digit RC 22AV2005B/00, Setup RC 22AV9574A/12

## Wireless Connectivity

**Wireless LAN:** 802.11 ac, Wifi-Direct

## Connectivity Bottom

**Antenna:** IEC-75

**HDMI2:** HDMI 2.0 with HDCP 2.2

**Ethernet (LAN):** RJ-45

**USB2:** USB 2.0

**External Control:** RJ-48

**External power:** 12V, max 1.5A

**External speaker out:** Mini-Jack

## Connectivity Side

**Common Interface Slot:** CI+ 1.3.2

**HDMI1:** HDMI 2.0 with HDCP 2.2

**Headphone out:** Mini-Jack

**USB1:** USB 3.0

## Connectivity Enhancements

**RJ48:** IR-In/Out, Serial Xpress interface

**EasyLink (HDMI CEC):** One touch play, System

Standby, RC pass through, system audio control

**HDMI:** ARC (all ports), Auto Input Selection

## Design

**Colour:** Black

## Dimensions

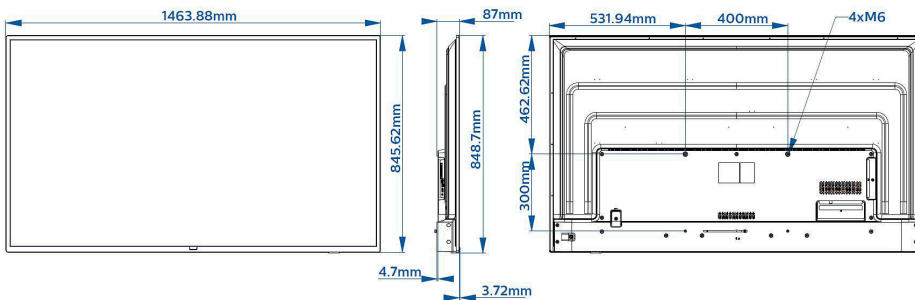
**Set Width:** 1464 mm

**Set Height:** 849 mm

**Set Depth:** 55/87 mm

**Product weight:** 20.8 kg

**Wall mount compatible:** M6, 400 x 300 mm



- \* Availability of Google Assistant is depending on Country and Language settings. To use Google Assistant, an optional remote control with voice function must be used.
- \* Availability of features will depend on implementation chosen by integrator.
- \* Philips does not guarantee the availability or continuity of correct functioning of apps.
- \* Actual free memory may be less due to device pre-configuration
- \* Typical on-mode power consumption measured according to IEC62087 Ed 2. The actual energy consumption will depend on how the television is used.
- \* This television contains lead only in certain parts or components where no technology alternatives exist in accordance with existing exemption clauses under the RoHS Directive.
- \* Android, Google Play and Chromecast are trademarks of Google LLC