

Philips
Professional TV

24" Studio
DVB-T2/T/C HEVC

24HFL2869T



Delight your guests

with pure taste

Show your guests how much you care with this affordable Hospitality TV. You will enjoy dedicated hospitality features like a branded welcome page, installation via USB and menu and control locking.

Advanced hotel features and future proof

- Ideally suited for prisons
- USB cloning of all settings for quick installation
- One combined channel list for Analog and Digital channels
- Advanced volume control to avoid guest disturbance
- Greet your guests with a customizable welcome page
- Prevent unauthorized use by joystick control locking
- Installation menu locking
- Off-line channel editor to edit a channel list on a PC

Great viewing experience and guest comfort

- USB for multimedia playback
- Low power consumption
- LED TV for images with incredible contrast

PHILIPS

Highlights

LED TV

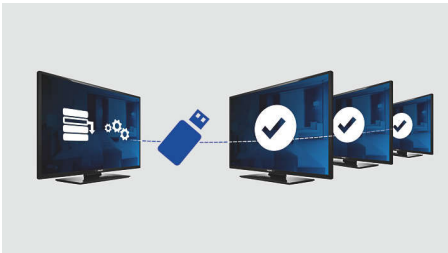
With LED backlight you can enjoy low power consumption and beautiful images with high brightness, incredible contrast and vibrant colors

Welcome page



A welcome page is displayed each time the TV set is switched on. The welcome page can be branded and customized easily at the time of installation via a simple welcome image in .png format.

USB Cloning



Provides the ability to easily copy all programming and channel programming

settings from one TV into other TV sets in less than a minute. The feature ensures uniformity between TV sets and significantly reduces installation time and costs.

PrisonMode

To control communication, this Hospitality TV is equipped with a specific PrisonMode setting. This Advanced Security Mode switches off certain settings not demanded by the detention market like Teletext, Electronic Programme Guide, Subtitles and USB ports.

USB (photos, music, video)



Share the fun. Connect your USB memory-stick, digital camera, mp3 player or other multimedia device to the USB port on your TV to enjoy photos, videos and music with the easy to use onscreen content browser.

Off-line channel editor

Off-line channel editor to edit a channel list on a PC

One combined channel list

One integrated channel list for digital and analogue channels. This allows the guest to zapp seamless between Analogue and Digital channels.

Advanced volume control

With advanced volume control you can install the start-up volume of the TV and predifine the volume range with which the TV set is allowed to operate, preventing excessive volume adjustments and avoiding disturbance of next door guests.

Joystick control locking

By disabling or enabling the joystick control locking, the administrator can prevent unauthorized use of the TV via the joystick, saving the hotelier overheads.

Installation menu locking

Prevents unauthorized access to installation and configuration settings, to ensure maximum guest convenience and avoid unnecessary reinstalling costs.

Low power consumption

Philips TVs are desgined to minimize power consumption. This will not only reduce environmental impact but also lower operating costs.

Specifications

Picture/Display

- Aspect ratio: 16:9
- Diagonal screen size (inch): 24 inch
- Diagonal screen size (metric): 60 cm
- Display: LED HD TV
- Panel resolution: 1366 x 768p
- Brightness: 220 cd/m²
- Contrast ratio (typical): 3000
- Viewing angle: 176° (H) / 176° (V)

Tuner/Reception/Transmission

- Digital TV: DVB-T/T2/C, HEVC FHD (up to 1080p60)
- Analog TV: PAL, SECAM

Features

- Ease of use: Picture Style, Sound Style
- Digital services: Subtitles, Teletext, MHEG, Now&Next, 8d EPG
- Local control: Joystick

Hospitality Features

- Hotel mode: Joystick Control Lock, Menu lock, Installation Menu Lock, Volume limitation (incl. HP)
- Prison mode: high security mode, TXT/MHEG/USB/EPG/Subtitle Lock
- Timer: Sleep Timer, Wake Up Alarm
- Switch On control: Channel/Source, Picture Style, Volume (incl. HP)
- Anti-Theft: Kensington Lock
- Power control: Green/fast startup
- Your brand: Welcome Logo
- Cloning and Firmware update: via USB, Instant Initial Cloning
- Control: Block Automatic Channel Update
- Remote Control: Cable Strap Ready, RC Battery Door Lock
- Channels: Combined List, Off-Line Channel Editor

Healthcare features

- Control: Multi-Remote Control
- Convenience: Headphone out

Multimedia

- Video playback supported: Containers: AVI, MKV, Formats: H.264/MPEG4 AVC, MPEG1, MPEG2, MPEG4, HEVC, TS

- Music formats supported: MP3, AAC, WAV, WMA (v2 up to v9.2)
- Subtitle formats supported: SRT, SSA SUB, ASS, SMI, TXT
- Picture formats supported: BMP, JPG, PNG
- Supp. Video Resolution on USB: up to 1920x1080p@30Hz
- Multimedia connections: USB

Audio

- Sound output Power: 5 (2x2.5) W
- Speakers: 2.0, Down Firing
- Sound Features: Equalizer, Balance, AVL, Incredible surround, Dynamic Bass

Power

- Mains power: AC 220-240V; 50-60Hz
- Ambient temperature: 5 °C to 45 °C
- Standby power consumption: 0.3 W
- Energy Label Class: A+
- Eu Energy Label power: 19 W
- Power Saving Features: Eco mode
- Annual energy consumption: 27 kWh

Accessories

- Included: Remote Control 22AV1407A/12, 2x AAA batteries, Tabletop Stand, Warranty Leaflet, Legal and Safety brochure
- Optional: Setup RC 22AV9573A, Remote Control 22AV1601A/12

Connectivity Side

- Common Interface Slot: CI+ 1.3
- Headphone out: Mini-Jack
- USB1: USB 2.0
- AV input: CVBS+L/R (Cinch)

Connectivity Rear

- Scart: CVBS, RGB, SVHS
- Antenna: IEC-75
- HDMI1: HDMI 1.4, ARC
- Digital Audio out: Coaxial (SPDIF)
- VGA input: 15 pin D-sub
- HDMI2: HDMI 1.4

Connectivity Enhancements

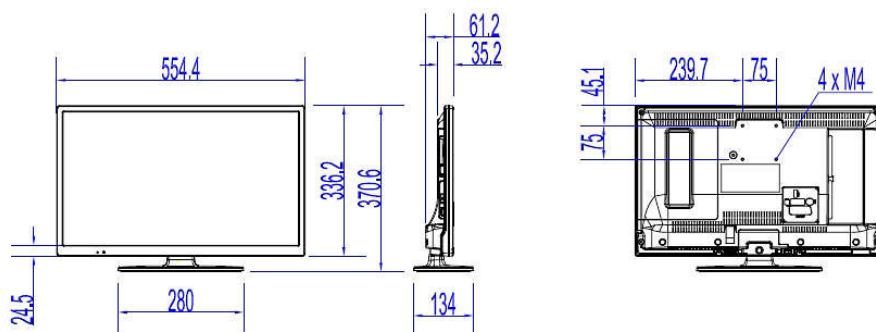
- EasyLink (HDMI CEC): One touch play, System Standby, RC pass through

Design

- Colour: Black

Dimensions

- Set Width: 554 mm
- Set Height: 336 mm
- Set Depth: 35/61 mm
- Product weight: 3.3 kg
- Set width (with stand): 554 mm
- Set height (with stand): 371 mm
- Set depth (with stand): 134 mm
- Product weight (+stand): 3,5 kg
- Wall mount compatible: M4, 75 x 75 mm



Issue date 2024-04-01

Version: 1.0.1

EAN: 87 18863 01376 2

© 2024 Koninklijke Philips N.V.
All Rights reserved.

Specifications are subject to change without notice.
Trademarks are the property of Koninklijke Philips N.V.
or their respective owners.

www.philips.com

* Availability of features will depend on implementation chosen by integrator.
* Typical on-mode power consumption measured according to IEC62087 Ed 2. The actual energy consumption will depend on how the television is used.
* This television contains lead only in certain parts or components where no technology alternatives exist in accordance with existing exemption clauses under the RoHS Directive.