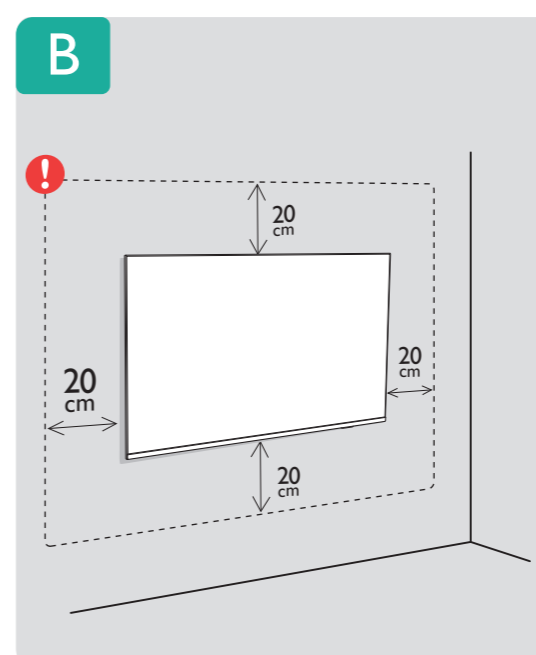
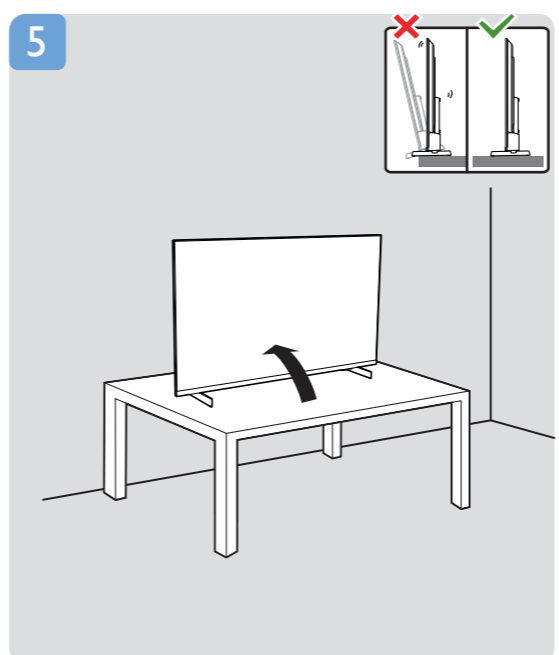
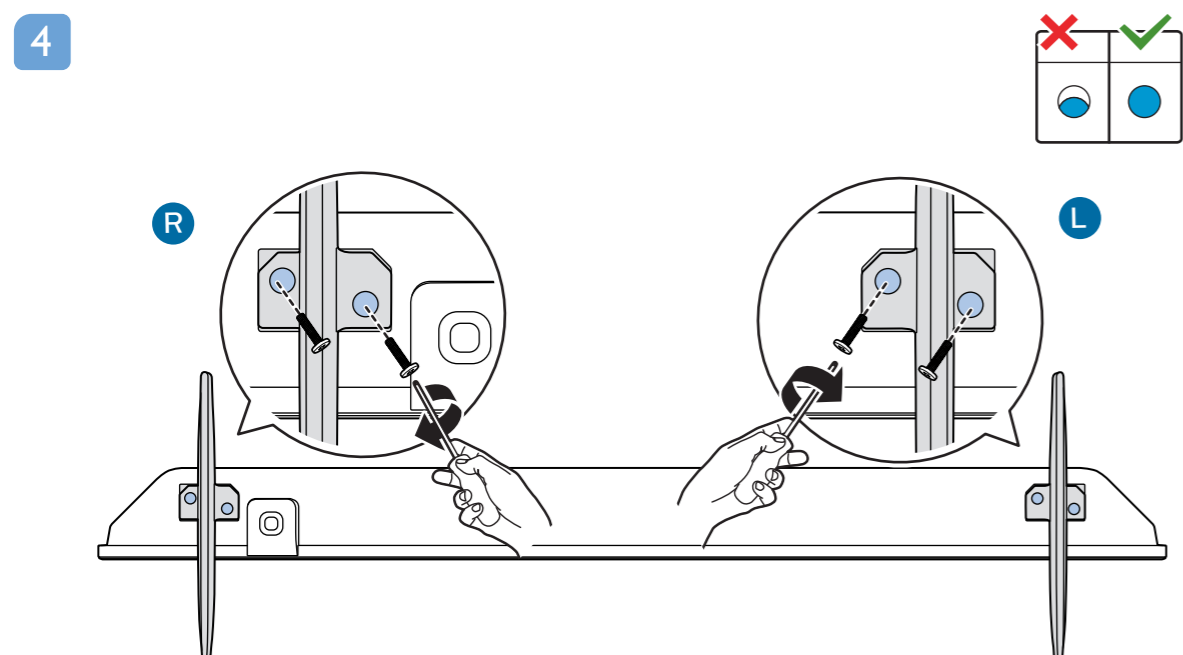
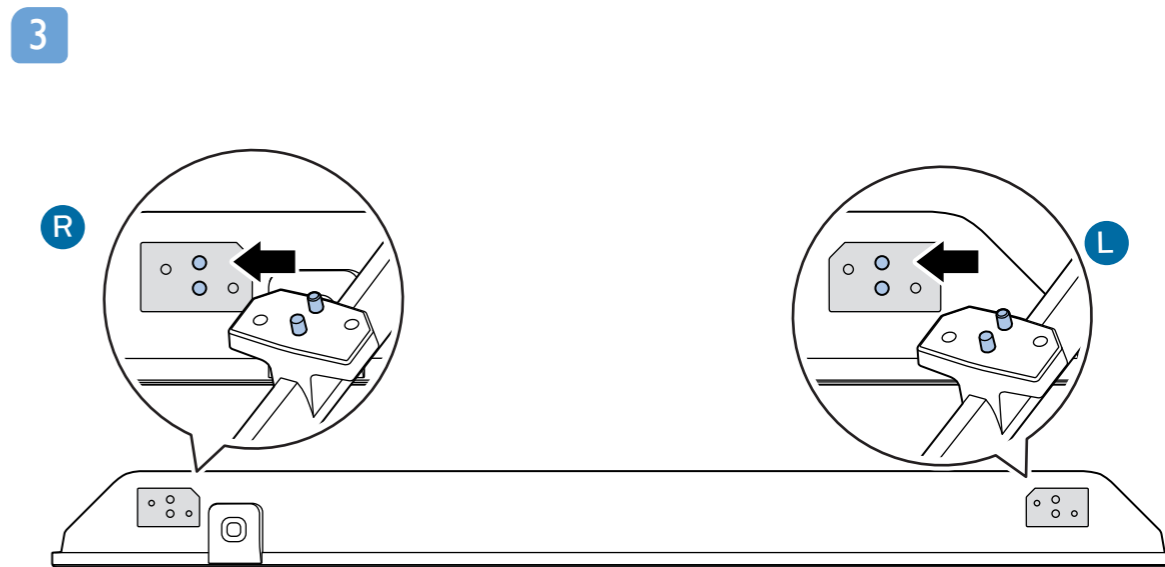
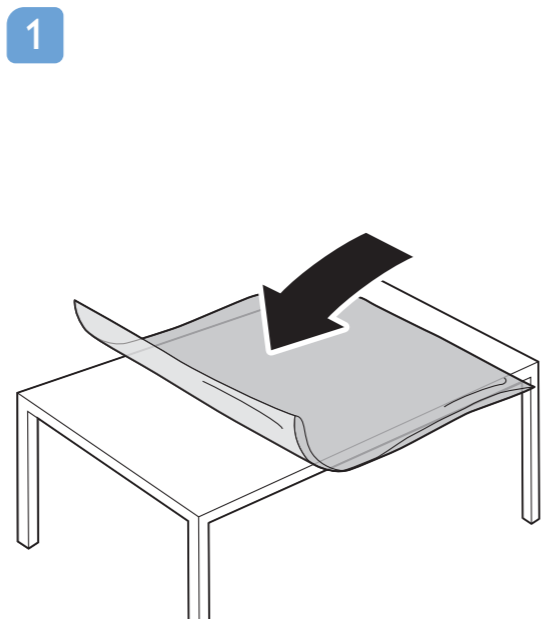
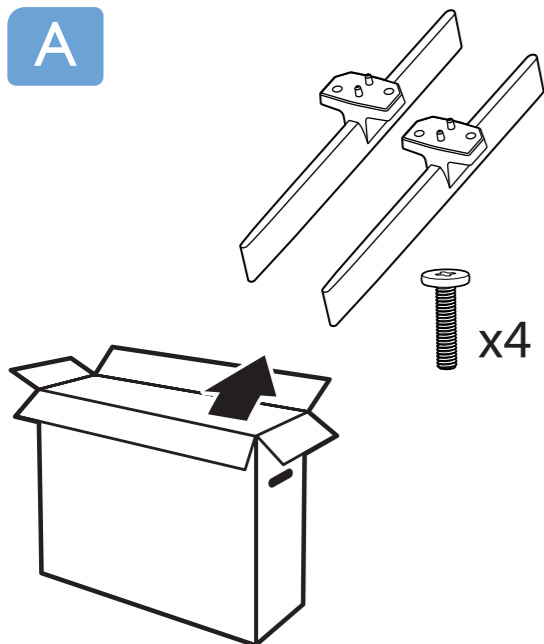
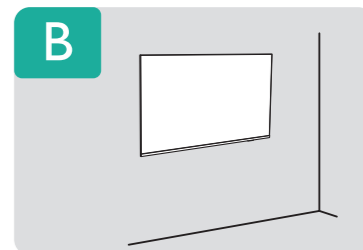
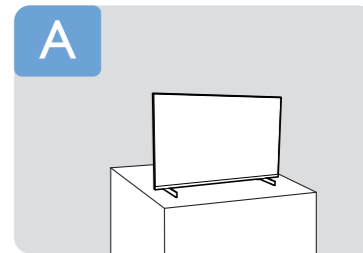
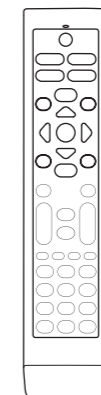
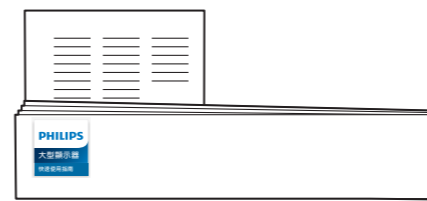
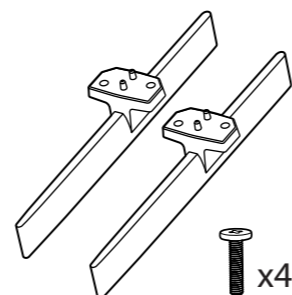
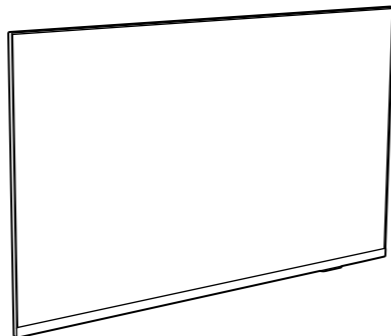


# PHILIPS

## 大型顯示器

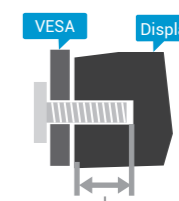
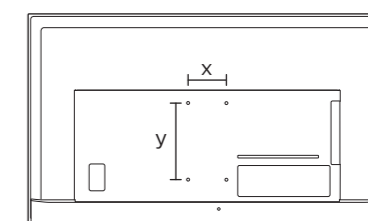
### 快速使用指南

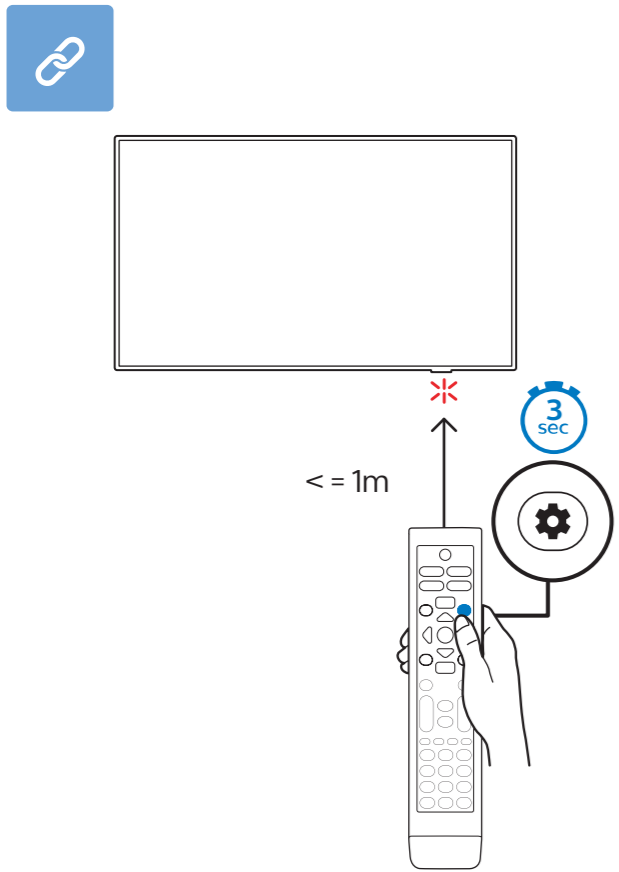
5214U 系列



**VESA (x,y)**

43" 100x200mm M6  
(L: 6 mm-8 mm) 108 cm





設備名稱 Device Name : Philips LED背光智慧型顯示器  
LED Backlight Smart Monitor  
型號 (型式) Project Name : 43HFL5214U/96

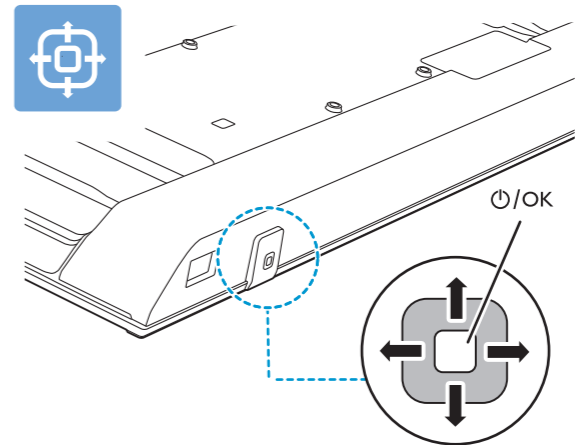
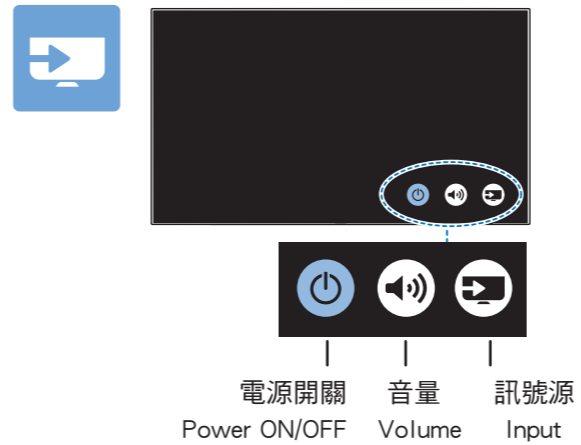
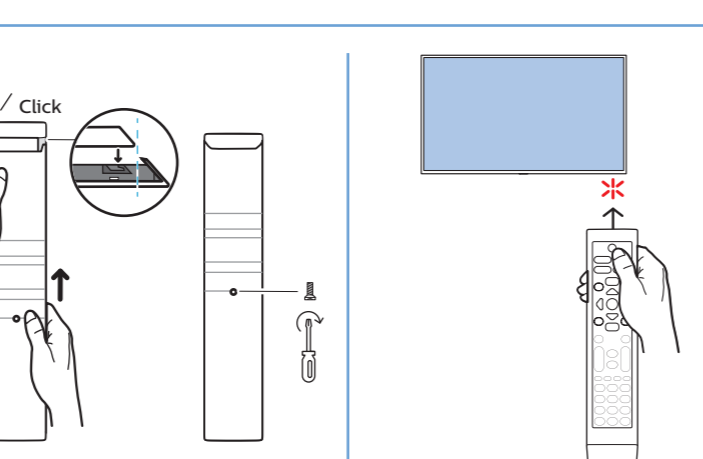
單元 Unit	限用物質及其化學符號 Restricted substances and its chemical symbols					
	鉛 (Pb)	汞 (Hg)	鎘 (Cd)	六價鉻 (Cr <sup>+6</sup> )	多溴聯苯 (PBB)	多溴二苯醚 (PBDE)
塑料外框 Plastic frame	○	○	○	○	○	○
後殼 Back cover	○	○	○	○	○	○
液晶面板 LCD panel	-	○	○	○	○	○
電路板組件 Circuit board assembly	-	○	○	○	○	○
底座 Base	○	○	○	○	○	○
電源線 Power cable	-	○	○	○	○	○
其他線材 Other wire	-	○	○	○	○	○
遙控器 Remote Control	-	○	○	○	○	○

備考1. "○" 係指該項限用物質之百分比含量未超出百分比含量基準值。  
Note 1. "○" indicates that the percentage content of the restricted substance does not exceed the percentage of reference value of presence.

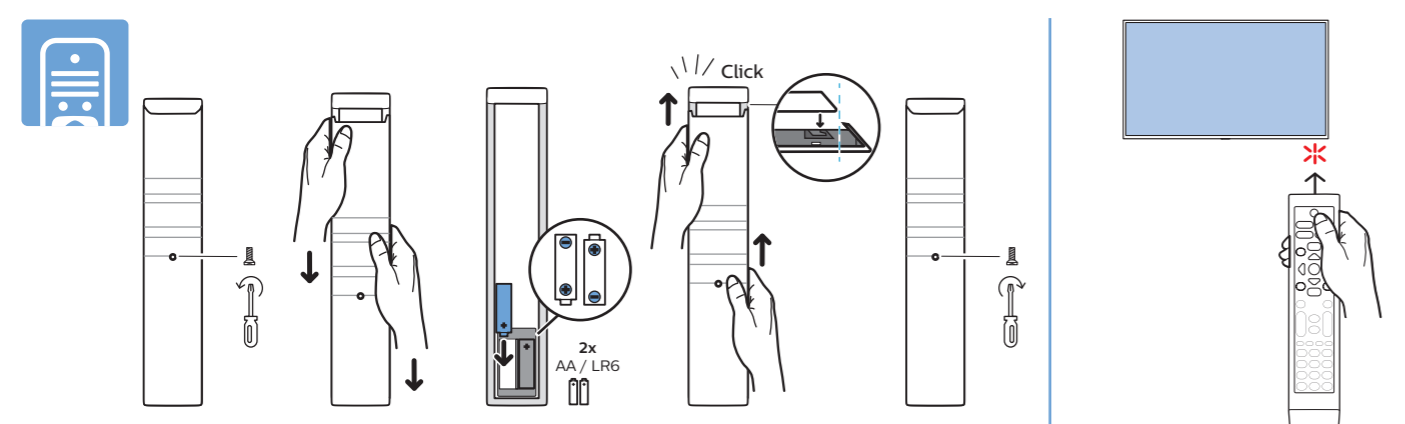
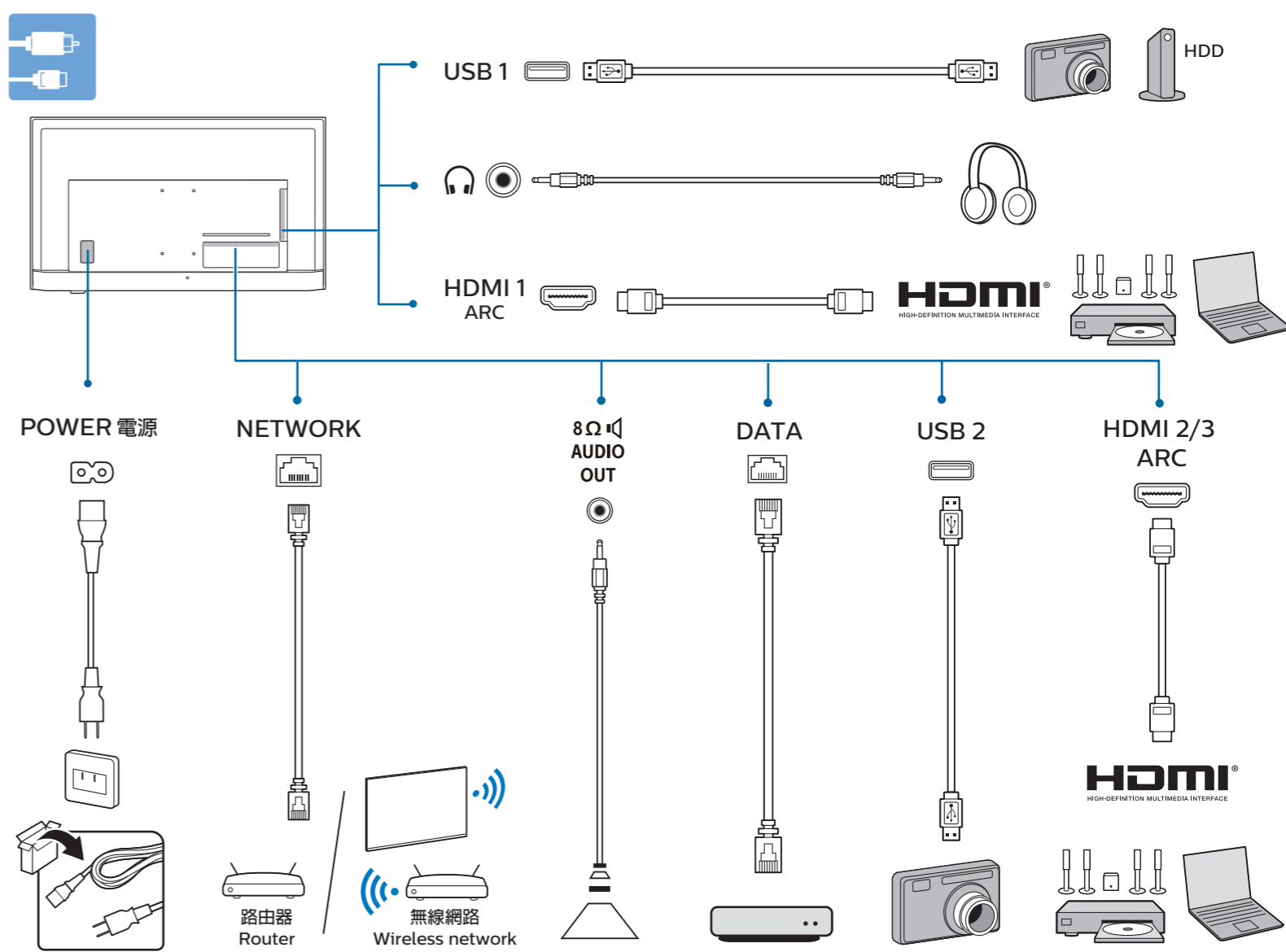
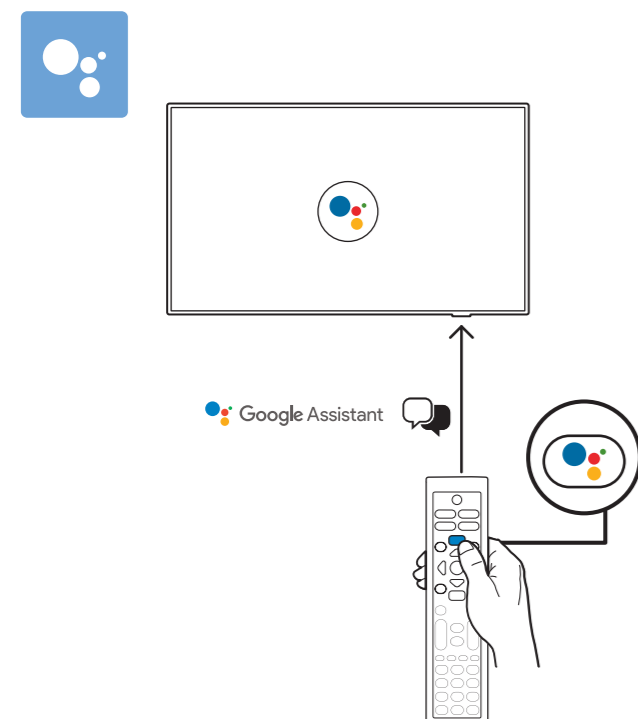
備考2. "-" 係指該項限用物質為排除項目。  
Note. The "-" indicates that the restricted substance corresponds to the exemption.

備考1. "○" 係指該項限用物質之百分比含量未超出百分比含量基準值。  
Note 1. "○" indicates that the percentage content of the restricted substance does not exceed the percentage of reference value of presence.

備考2. "-" 係指該項限用物質為排除項目。  
Note. The "-" indicates that the restricted substance corresponds to the exemption.



**English** Read the safety instructions.  
**繁體中文** 請閱讀安全說明。



[www.philips.com/support](http://www.philips.com/support)  
5214U Series 系列  
User Manual 使用手冊

**PHILIPS**  
所有註冊和未註冊的商標是其各自所有者的財產。  
規格如有變更，恕不另行通知。  
Philips 和 Philips 商標圖形是Koninklijke Philips N.V. 的註冊商標。  
其使用需遵循Koninklijke Philips N.V. 的許可。  
This product has been manufactured by and is sold under the responsibility of Top Victory Investments Ltd. (or one of its related affiliates), and Top Victory Investments Ltd. (or one of its related affiliates), is the warrantor in relation to this product.  
2021 © TOP Victory Investments Ltd.  
All rights reserved.