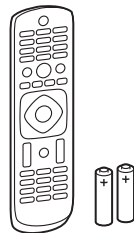
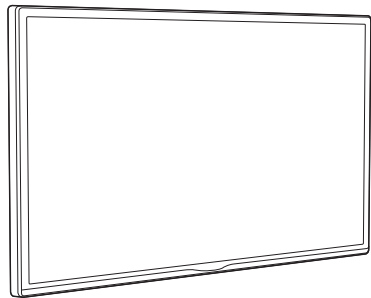


Register your product and get support at  
[www.philips.com/welcome](http://www.philips.com/welcome)

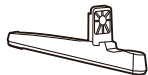
4501 series



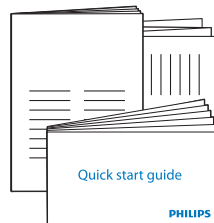
x2



R



L

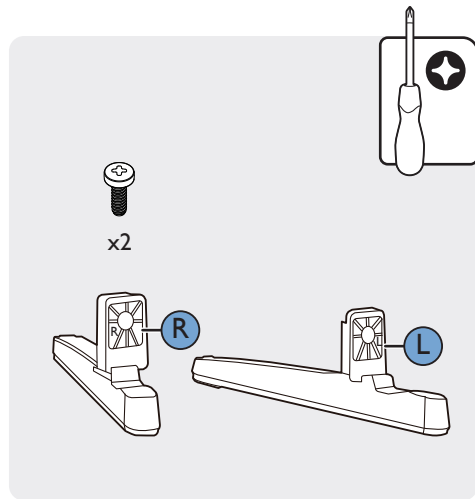


**PHILIPS**

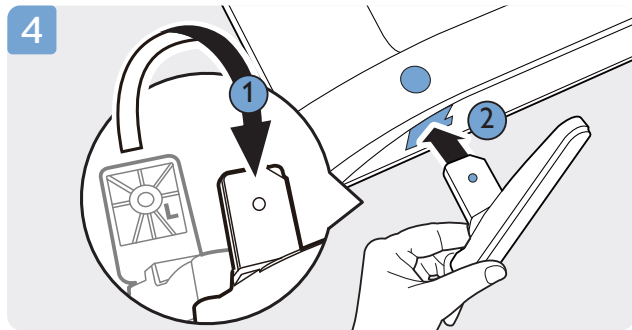
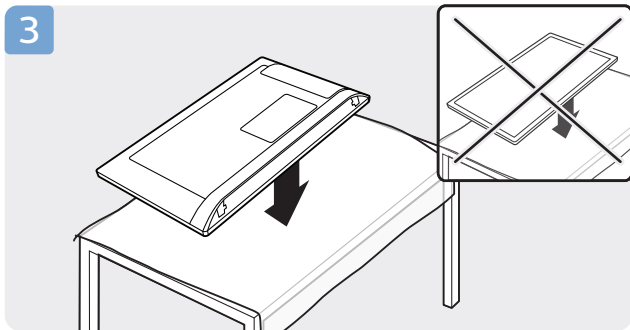
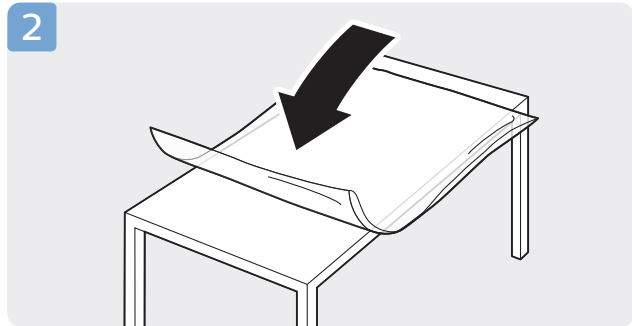
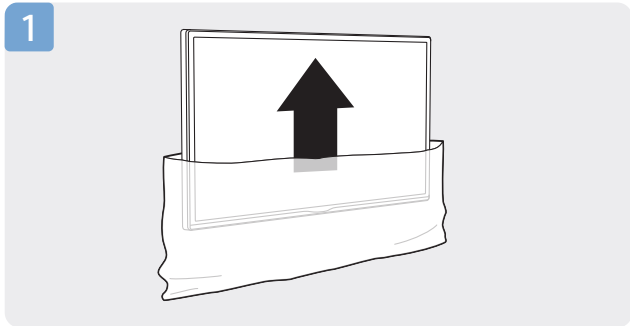


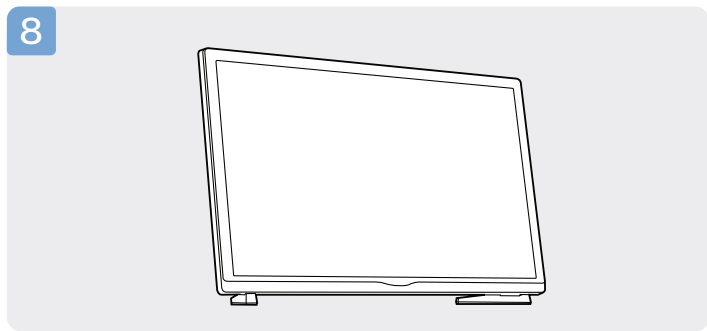
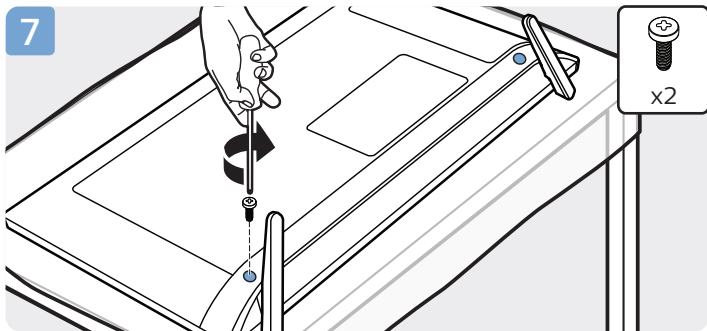
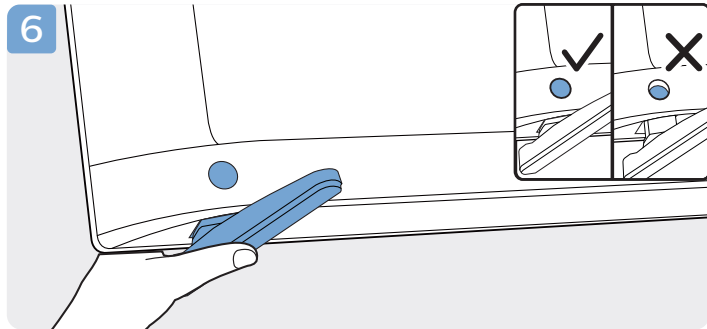
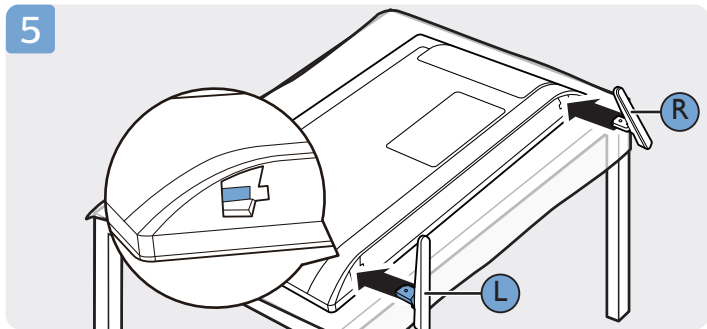
English  
繁體中文

Read the safety instructions.  
請閱讀安全說明。

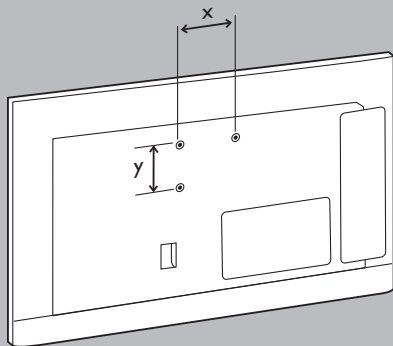


1

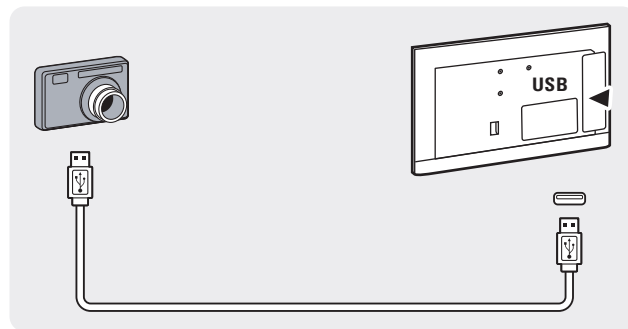
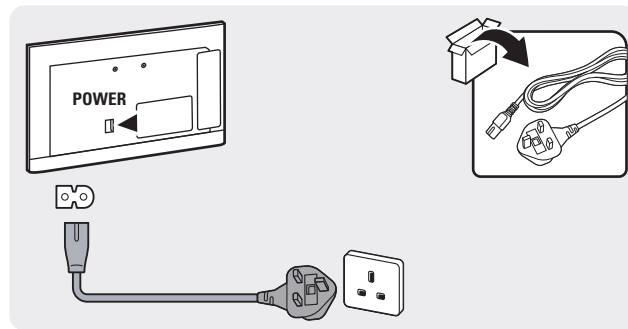


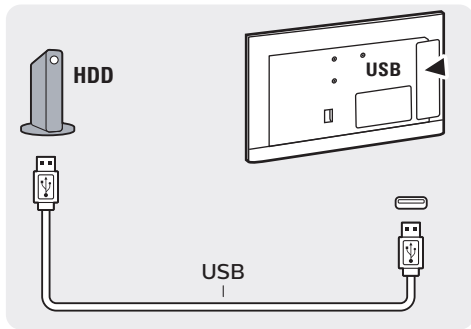
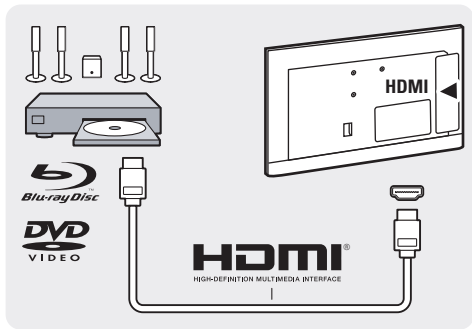
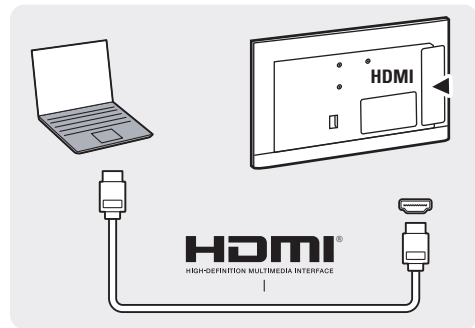
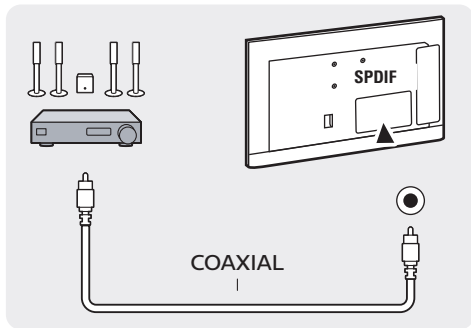
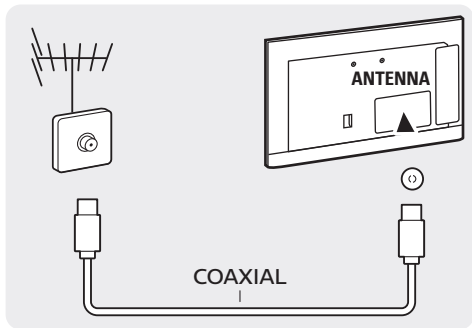


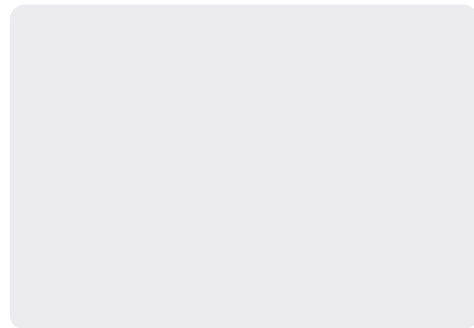
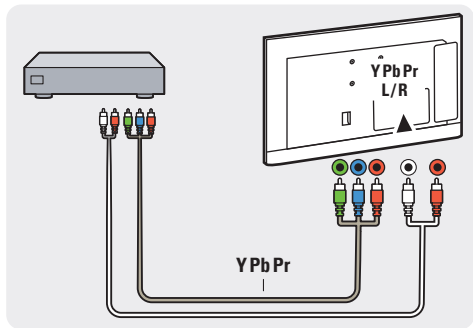
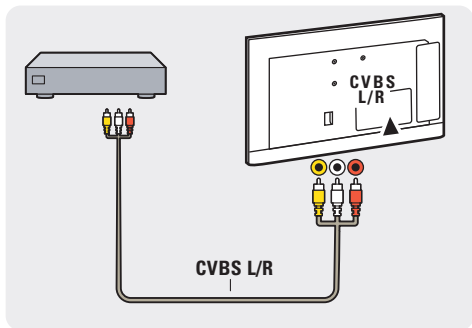
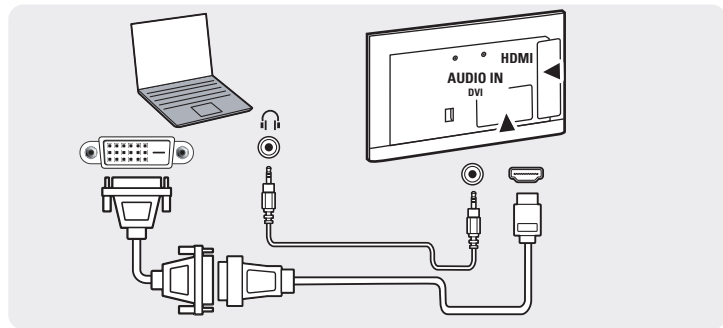
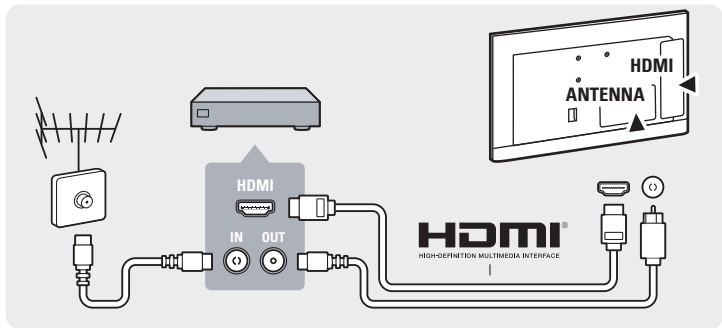
VESA (x,y)  
75x75 M4



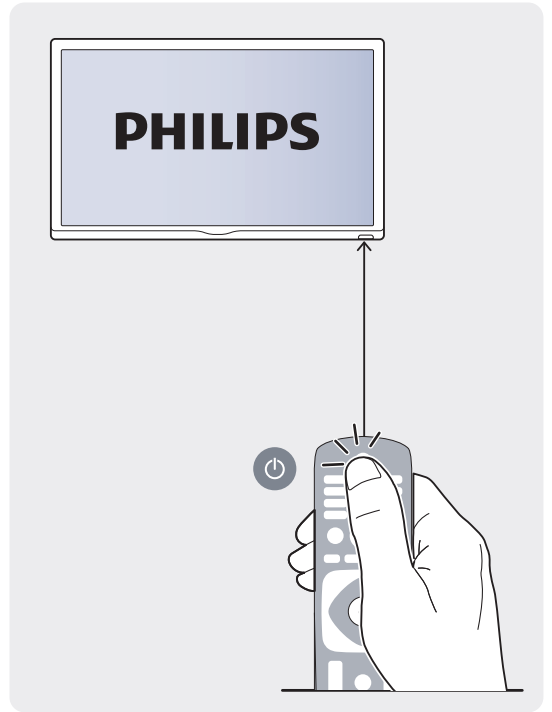
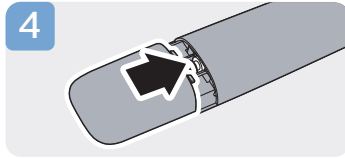
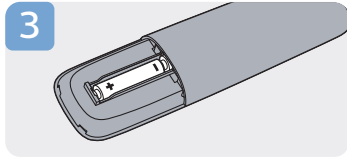
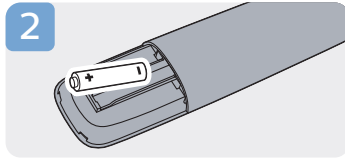
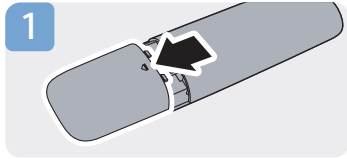
2





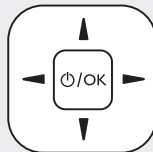
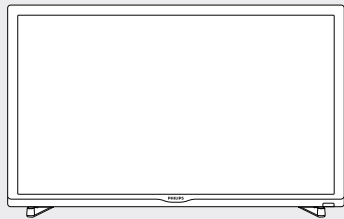


3





4



5

?

English

Download software updates and a printable user manual from [www.philips.com/support](http://www.philips.com/support).

繁体中文

下載軟體更新以及可列印使用者手冊，網址 [www.philips.com/support](http://www.philips.com/support)。



[www.philips.com/support](http://www.philips.com/support)





All registered and unregistered trademarks are the property of their respective owners.  
Specifications are subject to change without notice.

Philips and the Philips' shield emblem are trademarks of Koninklijke Philips N.V. and are used under license from Koninklijke Philips N.V.

2016 ©TPVision Europe B.V. All rights reserved.

[philips.com](http://philips.com)