

PHILIPS



Professional TV

32" MediaSuite
powered by Android™



32HFL5114

Smarter connectivity

with Chromecast built-in and Netflix

Designed for a fast-paced world, MediaSuite features advanced connectivity and versatile configuration settings. Chromecast built-in makes streaming fast and easy, whilst Android™ and Google Play Store unleash infinite possibilities.

Ready for anything

- Analogue clock display in off mode
- Android updates provide the latest functionality
- Chromecast™ built-in for easy content sharing
- Customisable UI for custom logos and colours
- Google Assistant™ enables faster, smarter control
- Google Play Store access for apps and media
- Integrated Netflix with dedicated remote button

Powered for more

- Create custom experiences with CMND & Check-in
- Install and manage apps remotely with AppControl
- Instant initial cloning for faster installation
- Operate, monitor and maintain via CMND & Control

Highlights

Powered by Android

Android-powered Philips Professional Displays are fast, versatile and easy to navigate. The displays are optimised for native Android apps and you can install web apps directly to the display too. Automatic updates ensure apps stay up to date.

Google Play Store access

Full access to the entire Google Play Store makes it easy to add apps, games, music, movies, and more to your Philips Professional Display. New business tools and extra entertainment options are added to the catalogue daily, ensuring that you always have access to the latest global trends.

Customisable UI

Philips MediaSuite features a clear, easy-to-navigate user interface (UI) that can be customised with your own branding. Easily add your logo and colours to the search bar to increase the presence of your brand.

AppControl

Take full, centralised control of the apps installed on your Philips Professional Displays. AppControl lets you install, delete, and manage apps on

selected Displays or your entire network so that you can offer personalized experiences to your guests and customers-no matter how many displays you are managing.

CMND & Control

Run your display network over a local (LAN or RF) connection. CMND & Control allows you to perform vital functions like updating software and settings, as well as monitoring display status. Whether you're in charge of one TV or more, CMND & Control makes managing your fleet easy.

CMND & Check-in

Make visitors feel welcome. CMND & Check-in lets you use individual information-such as name and language spoken-to create a personalized experience. Whether you're adding special touches for hotel guests, streamlining the billing process, or offering multiple channel packages.

Integrated Netflix

Integrated Netflix access makes watching the latest movies and shows from your account easier, faster and more convenient. There's no need for any external players or satellite TV, which helps keep operational costs down and

installations neat, whilst maintaining a modern look for your establishment. A dedicated Netflix button on the remote provides instant access for efficient usability. Terms and conditions apply for Netflix activation.

Google Assistant™

Voice control and faster answers are here with the optional Google Assistant™ enabled remote control (22AV2025B/00). Open YouTube. Turn the volume up. Play your favourite songs, and get all the info you need such as weather updates, things to do, and even spoken translations in an instant. With Google Assistant™, the possibilities are endless.

Chromecast built-in

Enable instant, secure wireless casting of movies, presentations, and more from smart devices (mobiles, laptops, tablets) in up to 4K resolution. Chromecast is cost-effective, requires no extra hardware, and is secure for professional use. Users simply tap the Chromecast icon on their smart device to start streaming content from thousands of cast-enabled apps-their smart device becomes the remote.

Specifications

Picture/Display

Diagonal screen size (inch): 32 inch

Diagonal screen size (metric): 80 cm

Display: LED Full HD

Panel resolution: 1920x1080p

Brightness: 250 cd/m²

Tuner/Reception/Transmission

Digital TV: DVB-T/T2/C, HEVC FHD (up to 1080p60)

Analog TV: PAL

IP Playback: Multicast, Unicast, HLS, OTT App Channels

Android TV

OS: Android TV™ 9 (Pie)

Pre-installed apps: Netflix*, YouTube, Google Play Store*, Google Play Movies, Google Play Games, YouTube Music

Memory size(Flash): 16GB*

Hospitality Features

Hotel mode: Switch-ON Settings Control, Volume limitation, Installation Menu Lock, Menu lock, Joystick Control Lock, Prison mode

Power control: Quick Start Mode, Auto Power ON, Auto Power OFF

Your brand: Customizable Home Screen, Customizable Welcome App, Location Name (Geonames ID), CMND&Create, Custom Dashboard (HTML&APK)

CMND&Control: Off-Line Channel Editor, Off-Line Settings Editor, Remote Management over IP/RF, TV Group management, Local Updates via USB, Instant Initial Cloning

Control: AppControl, JEDI Native Android TV Control, JSON API for TV Control-JAPIT, Serial Xpress Protocol, Crestron Connected, Joystick

Interactive DRM: VSecure, Playready

Smoothstreaming, Securemedia

Revenue generation: MyChoice

Remote Control: Low Battery Detection, RC Battery Door Lock, Glow-in-the-Dark Clock button

CMND&Check-In: Guest Name, Guest Language, Messages, Bill on TV, Express Checkout

Sharing: Chromecast built-in, Secure Sharing, Network-managed Sharing

Convenience: Google Assistant*, Google Account Login, Weather Forecast, >40 Supported Menu Languages, Clock in OFF mode, Theme TV, Wake Up Alarm, Sleep Timer

Healthcare features

Control: Multi-Remote Control, Nurse call system compatible

Convenience: TalkBack, Independent main speaker mute

Safety: Double isolation class II, Flame retardant

Multimedia

Video playback supported: Formats:

H.264/MPEG4 AVC, MPEG1, MPEG2, MPEG4,

WMV9/VC1, HEVC, Containers: AVI, MKV, VP9

Music formats supported: MP3, AAC, WAV, WMA (v2 up to v9.2), WMA-PRO (v9 and v10)

Subtitle formats supported: SRT, SMI, TXT

Picture formats supported: JPG, PNG, BMP, GIF

Supp. Video Resolution on USB: up to 1920x1080p@60Hz

Audio

Sound output Power: 16 (2x8) W

Bathroom speaker out: 1.5W Mono 8Ohm

Speakers: 2.0, Down Firing

Sound Features: DTS-HD, Dolby Atmos Compatible, Dolby MS12D, AC-4, DTS Studio Sound

Specifications

Power

Mains power: AC 220-240V; 50-60Hz
 Ambient temperature: 0 °C to 40 °C
 Standby power consumption: $\leq 0.35\text{W}$
 Energy Label Class: F
 Eu Energy Label power: 29 W
 Power Saving Features: Eco mode
 EPREL registration number: 341818

Accessories

Included: Edge Stand, Remote Control
 22AV1905B/00, 2x AAA batteries, Power Cord,
 Warranty Leaflet, Legal and Safety brochure
 Optional: Voice RC 22AV2025B/00, Digit RC
 22AV2005B/00, Easy RC 22AV1601B/12,
 Healthcare RC 22AV1604B/12, External Clock
 22AV1860A/12, DOCSIS Cable Modem
 22AV1970A, Setup RC 22AV9574A/12

Wireless Connectivity

Wireless LAN: 802.11 ac, Wifi-Direct

Connectivity Side

Common Interface Slot: CI+ 1.3.2
 HDMI1: HDMI 1.4
 Headphone out: Mini-Jack
 USB1: USB 3.0

Connectivity Rear

Bathroom speaker out: Mini-Jack
 External power: 12V, max 1.5A
 External Control: RJ-48
 Antenna: IEC-75
 Digital Audio out: Optical
 Ethernet (LAN): RJ-45
 HDMI2: HDMI 1.4
 USB2: USB 2.0

Connectivity Enhancements

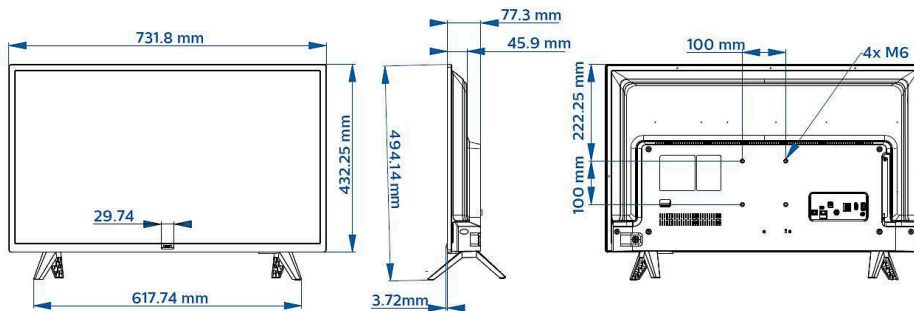
RJ48: IR-In/Out, Serial Xpress interface
 EasyLink (HDMI CEC): One touch play, System
 Standby, RC pass through, system audio control
 HDMI: ARC (all ports), Auto Input Selection

Design

Colour: Black

Dimensions

Set Width: 732 mm
 Set Height: 432 mm
 Set Depth: 77 mm
 Product weight: 4,6 kg
 Set width (with stand): 732 mm
 Set height (with stand): 494 mm
 Set depth (with stand): 179 mm
 Product weight (+stand): 4,7 kg
 Wall mount compatible: 100 x 100 mm



- * Netflix: specific terms and conditions apply which have to be approved and applied in order to enable the app.
- * Availability of Google Assistant is depending on Country and Language settings. To use Google Assistant, an optional remote control with voice function must be used.
- * Availability of features will depend on implementation chosen by integrator.
- * Philips does not guarantee the availability or continuity of correct functioning of apps.
- * Actual free memory may be less due to device pre-configuration
- * Typical on-mode power consumption measured according to IEC62087 Ed 2. The actual energy consumption will depend on how the television is used.
- * This television contains lead only in certain parts or components where no technology alternatives exist in accordance with existing exemption clauses under the RoHS Directive.
- * Android, Google Play and Chromecast are trademarks of Google LLC