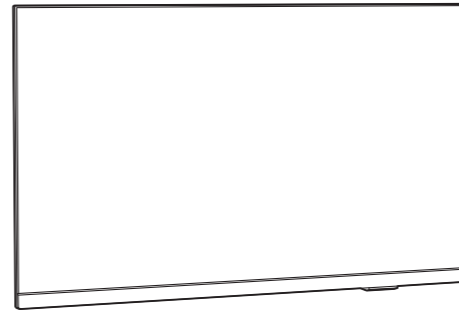


PHILIPS

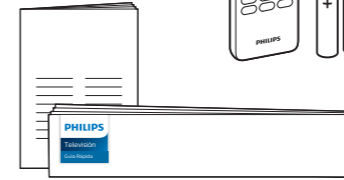
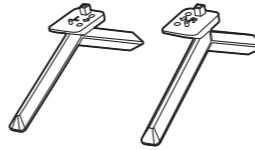
Televisión

Guía Rápida

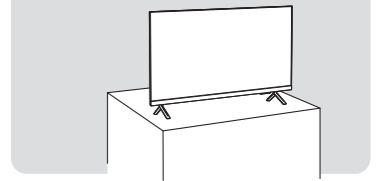
32PHD6825
40PFD6825



x4



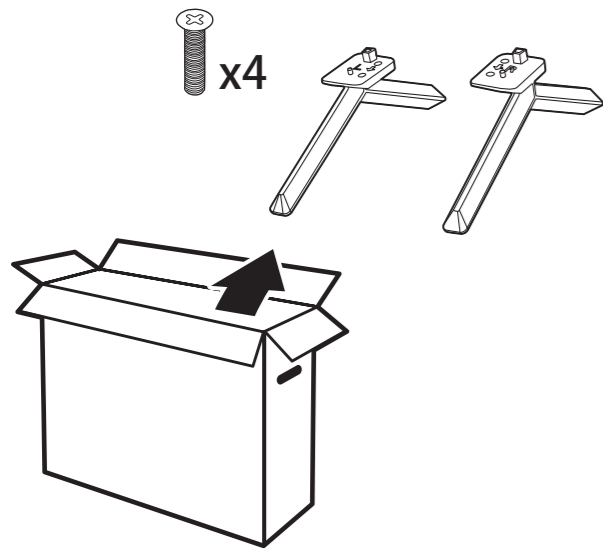
A



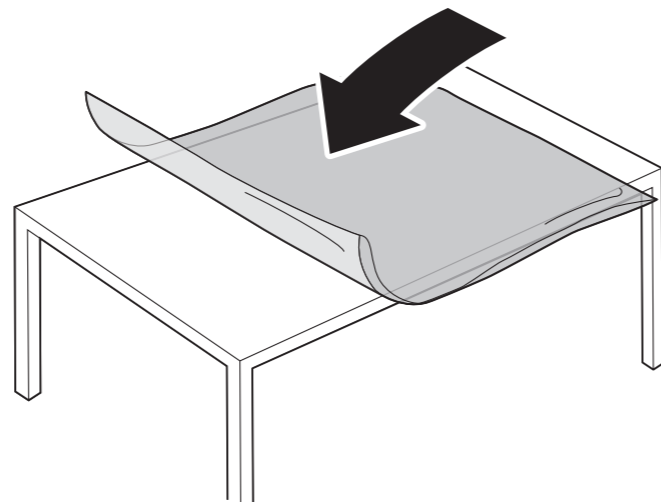
B



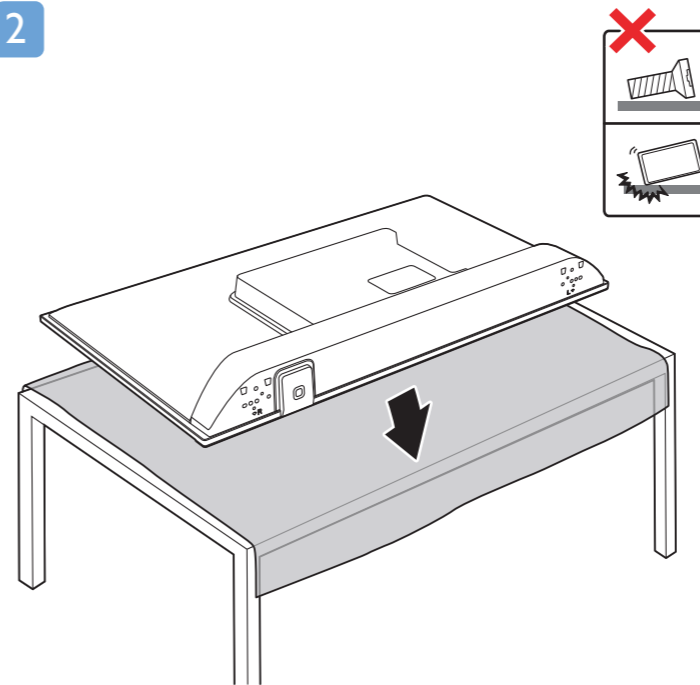
A



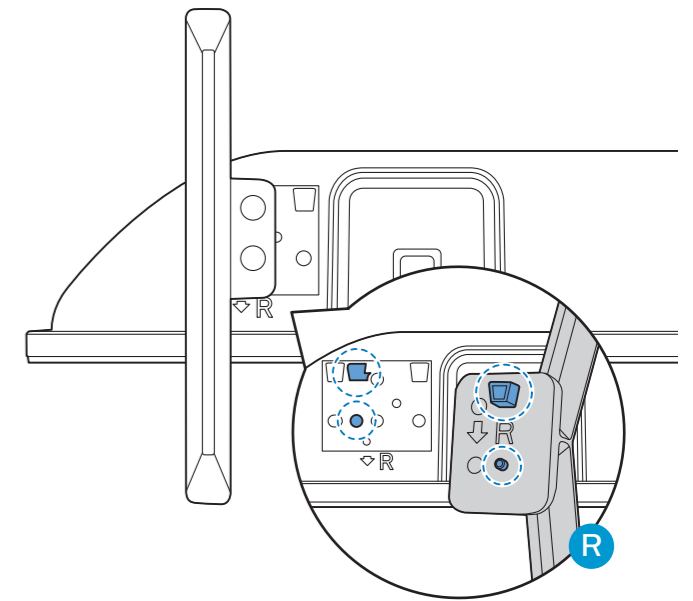
1



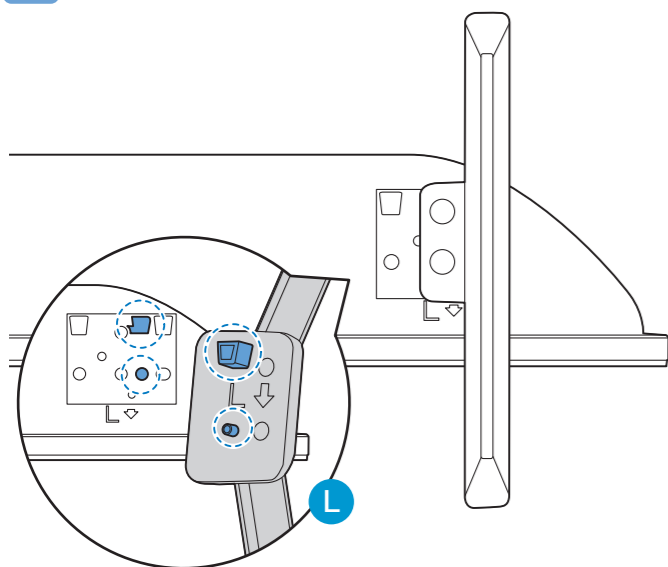
2



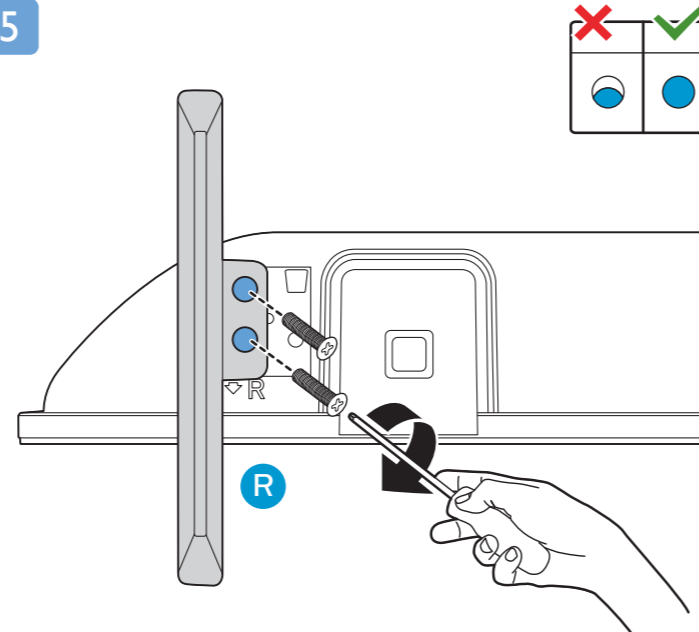
3



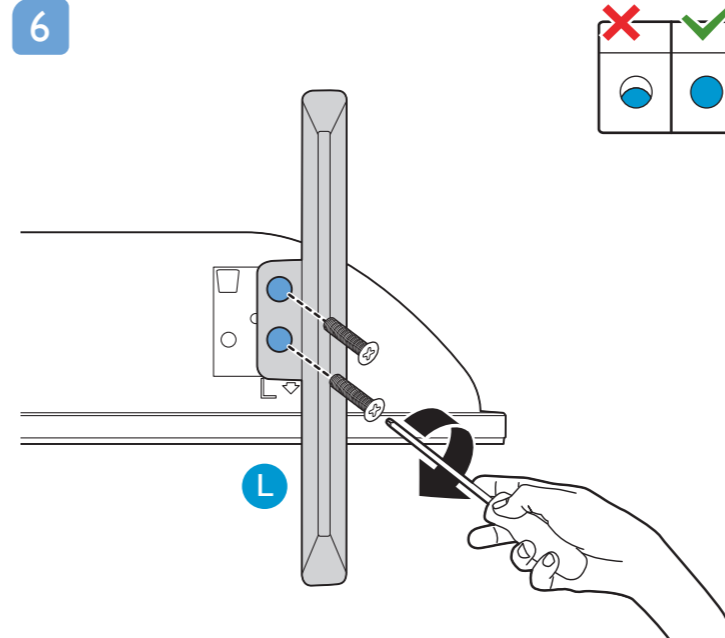
4



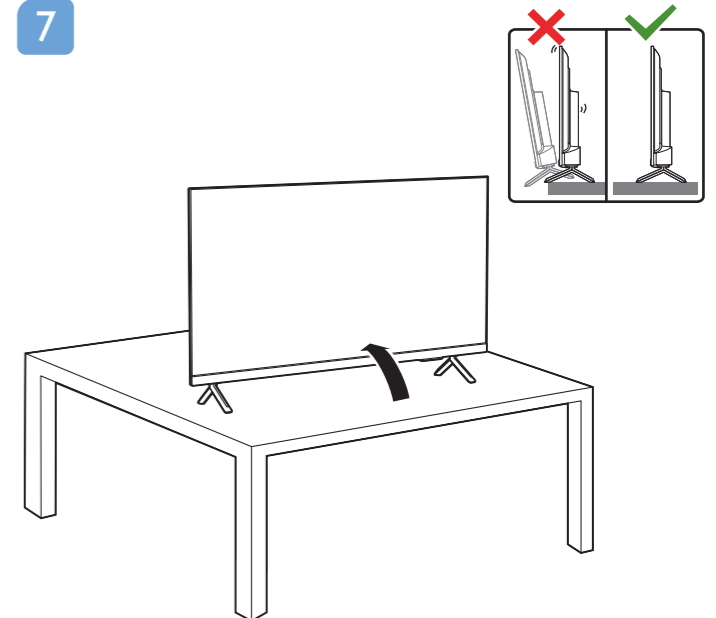
5



6



7



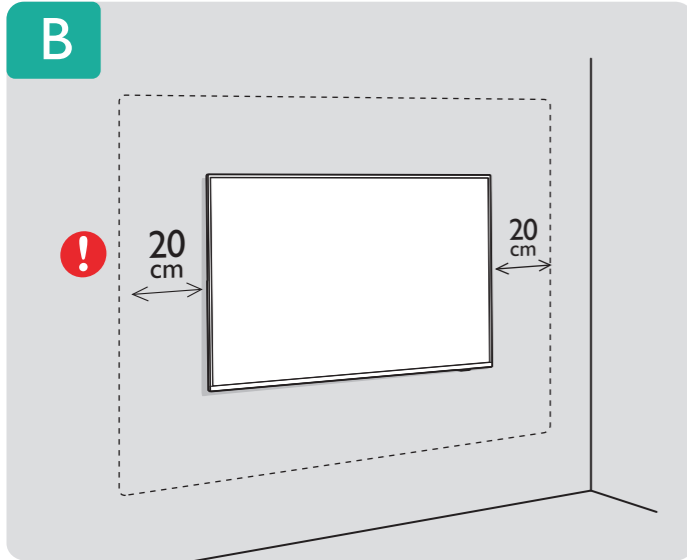
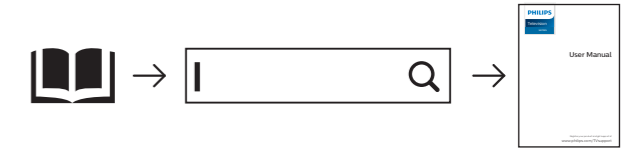


English Read the safety instructions.

Español Lea la información de seguridad.

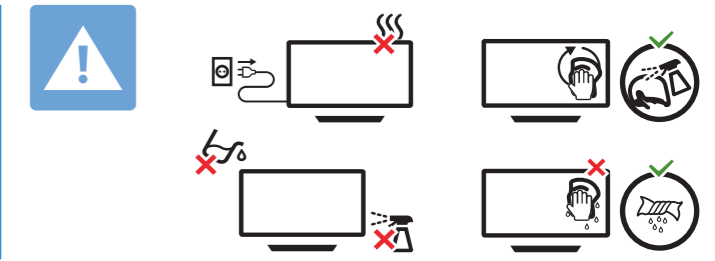
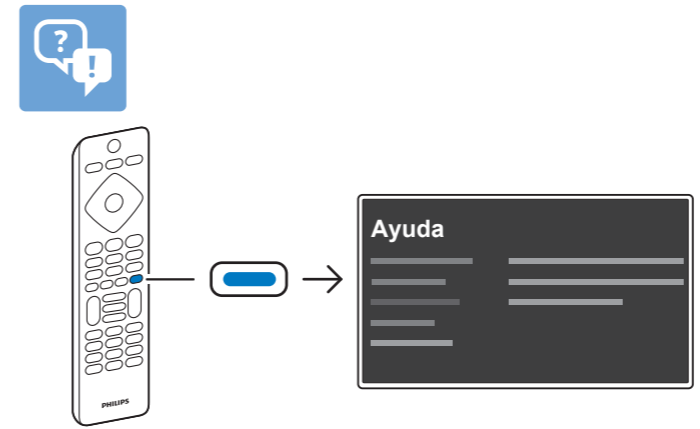
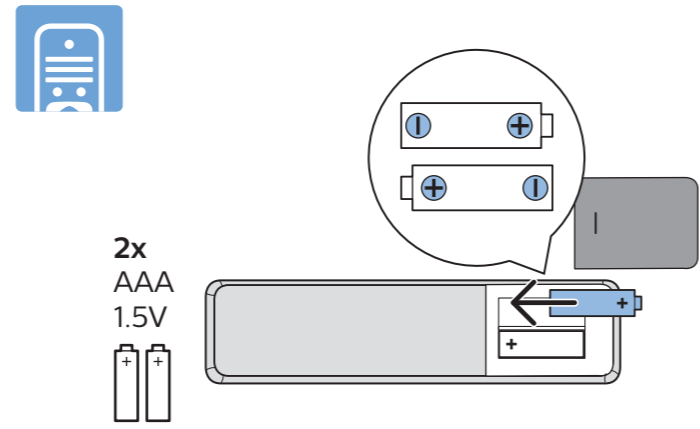
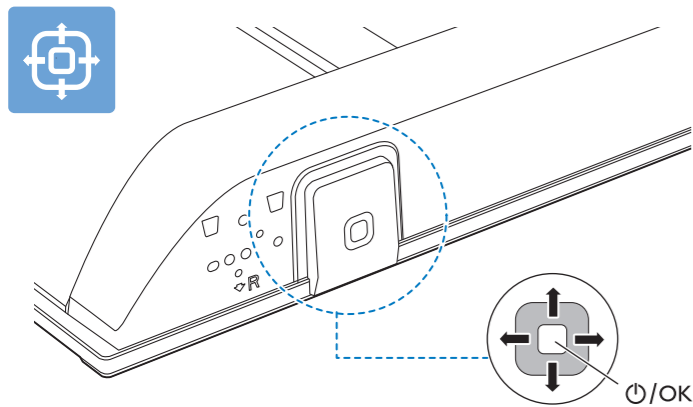
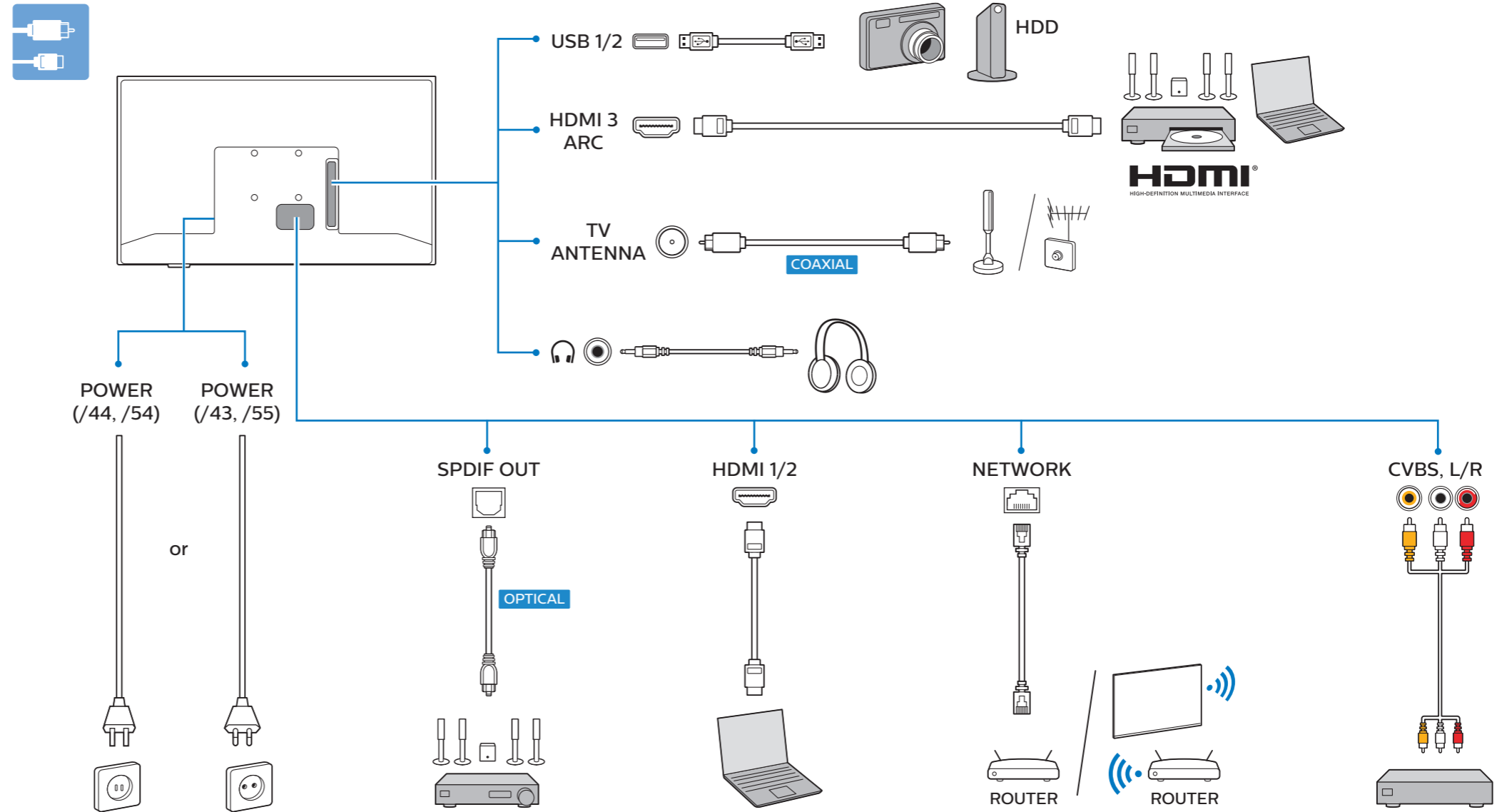
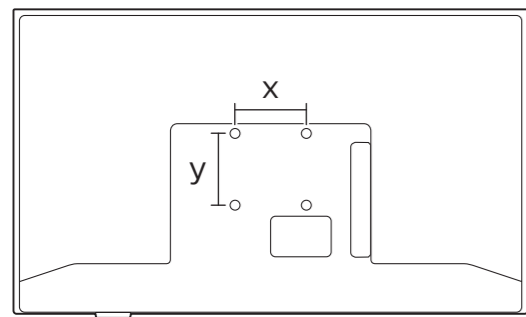


Registre su producto y obtenga asistencia en www.philips.com/TVsupport



VESA (x, y)

32" 100x100mm M4 80 cm
40" 100x100mm M4 100 cm



All registered and unregistered trademarks are property of their respective owners. Specifications are subject to change without notice. Philips and the Philips' shield emblem are trademarks of Koninklijke Philips N.V. and are used under license from Koninklijke Philips N.V. This product has been manufactured by and is sold under the responsibility of TP Vision Europe B.V., and TP Vision Europe B.V. is the warrantor in relation to this product. 2021© TP Vision Europe B.V. All rights reserved. www.philips.com/welcome