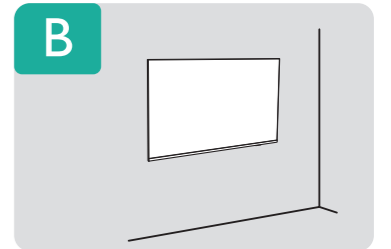
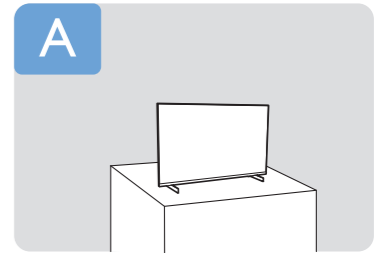
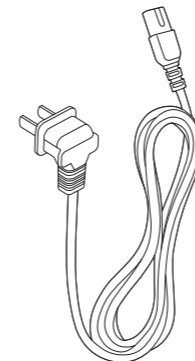
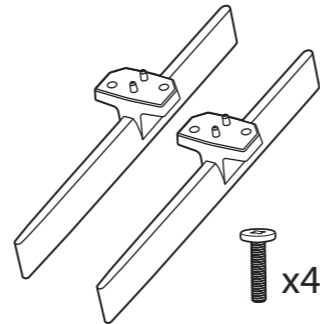
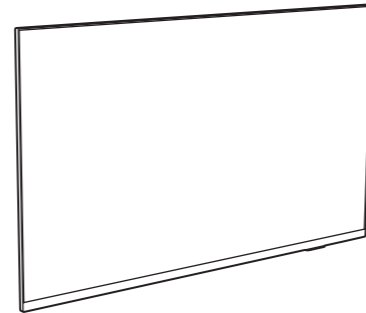


PHILIPS

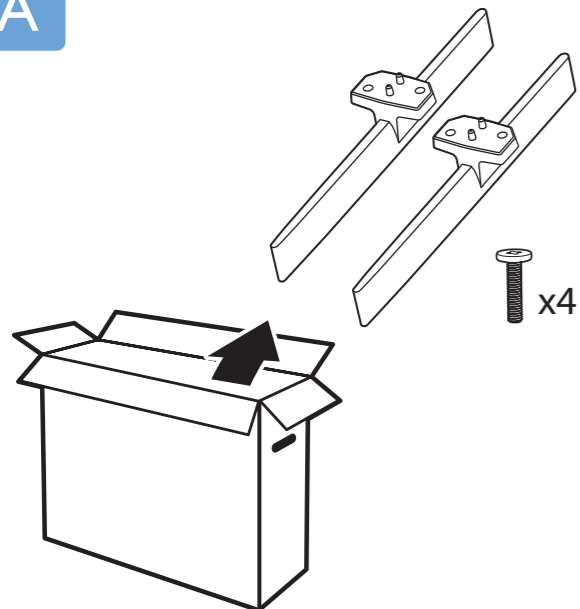
Professional
Display Solutions

Quick Start Guide

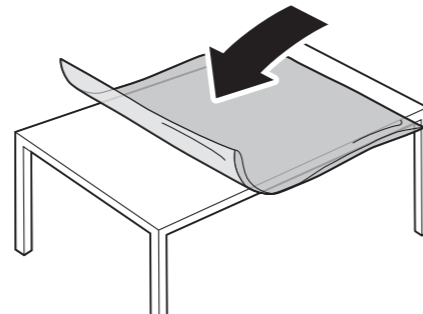
5214U series



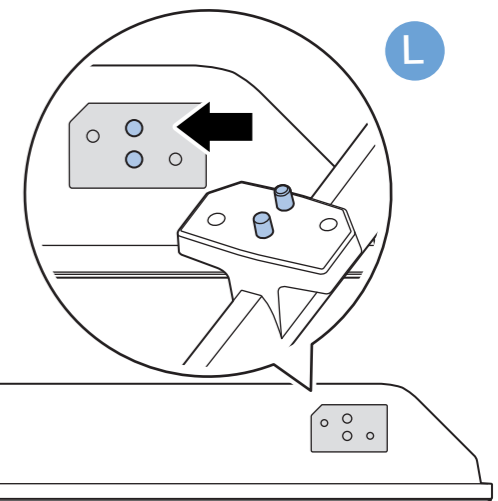
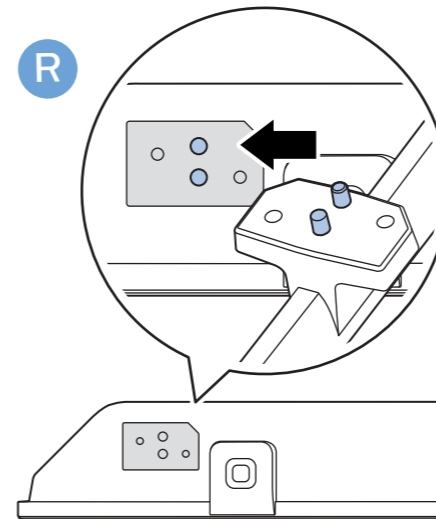
A



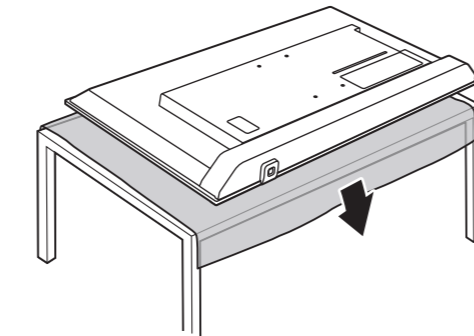
1



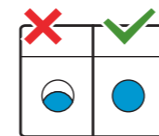
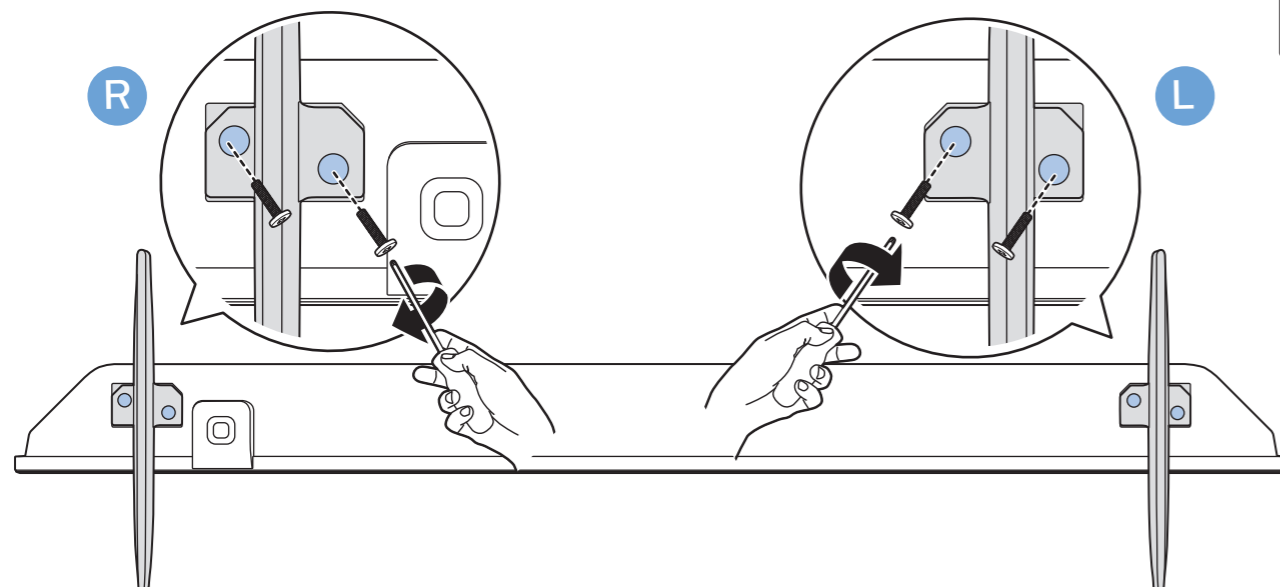
3



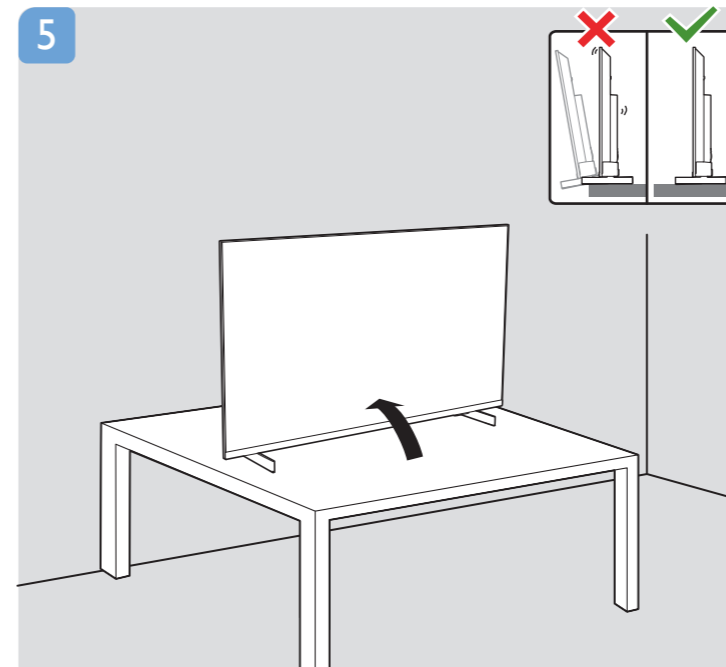
2



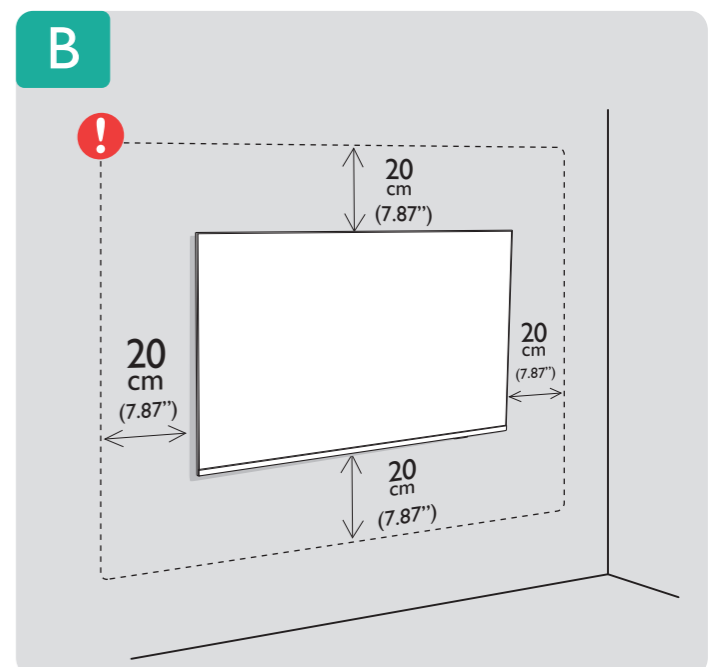
4



5

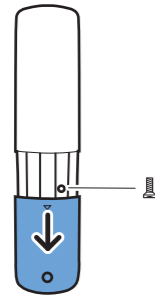


B

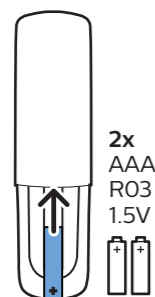




1

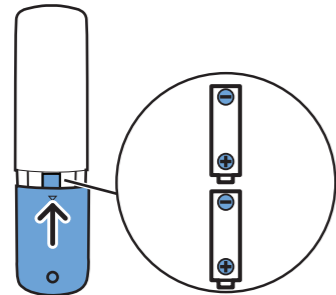


2

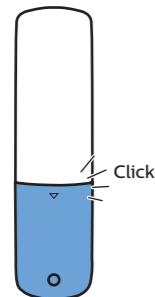


2x
AAA
R03
1.5V

3

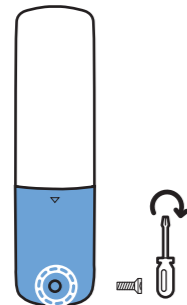


4



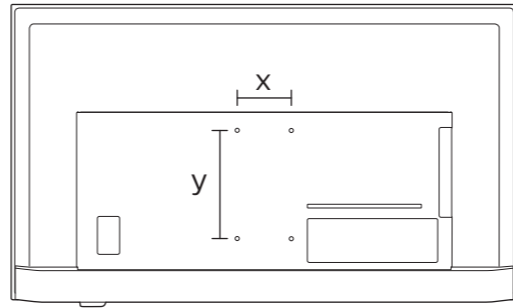
Click

5

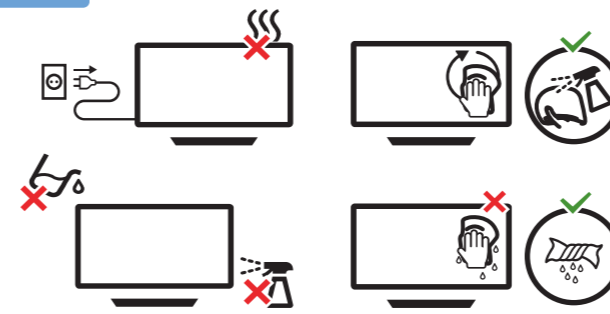
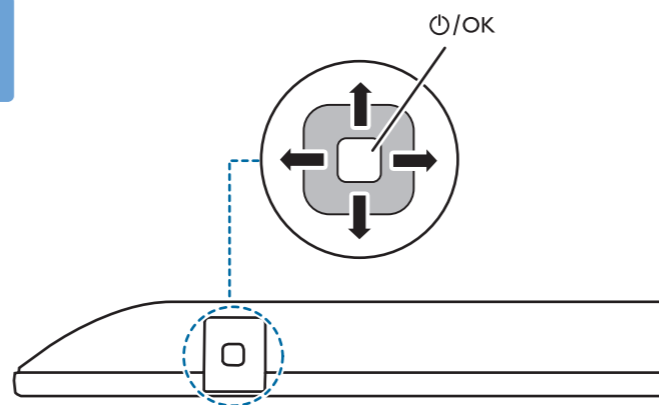
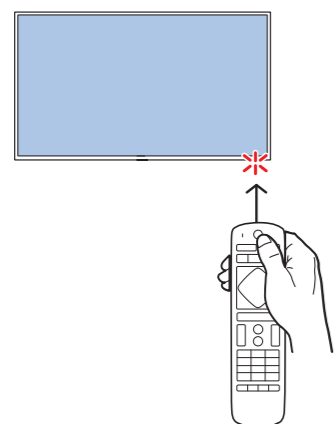
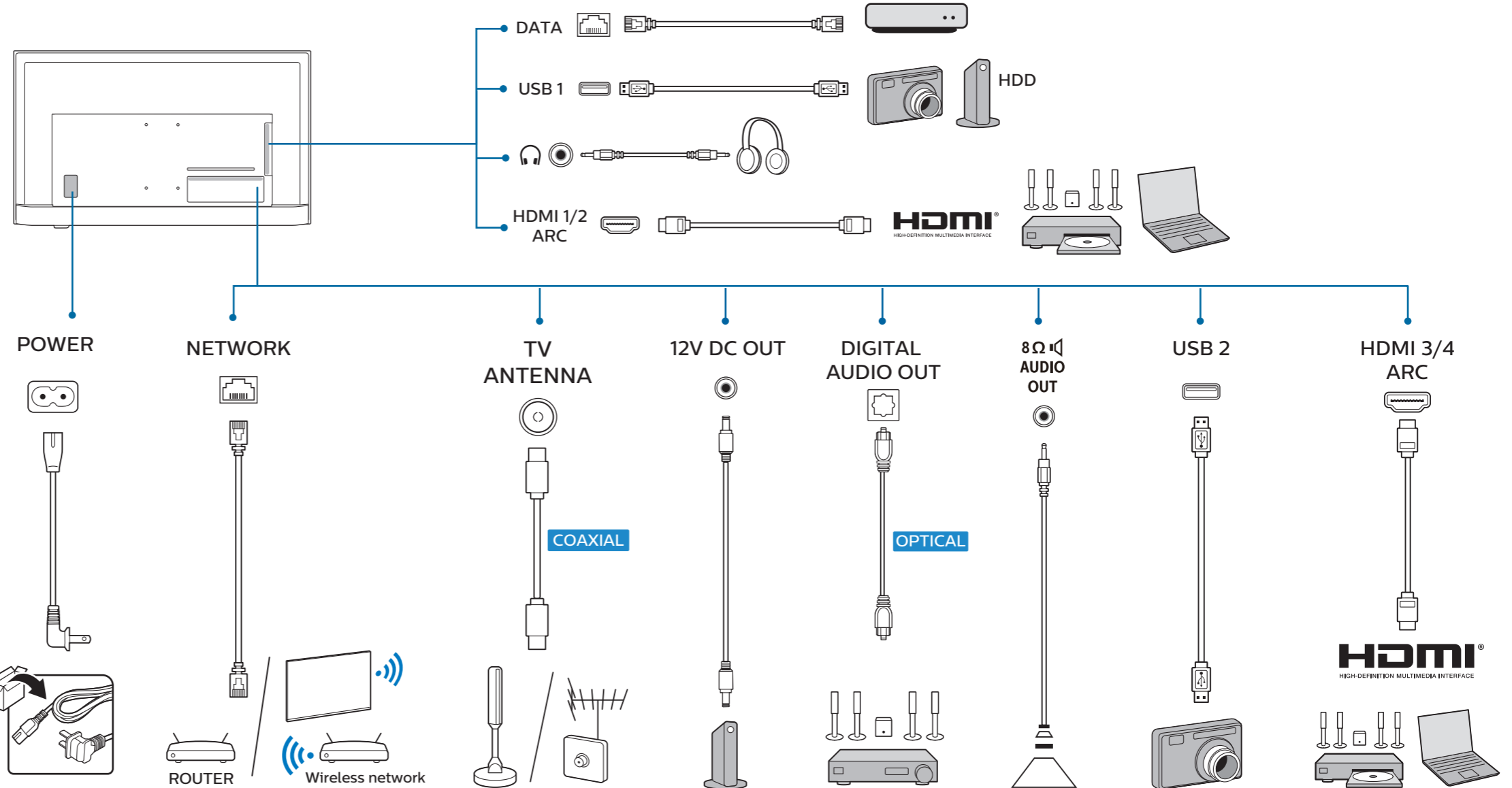
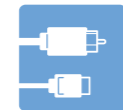


VESA (x,y)

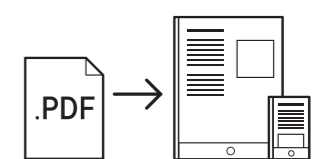
43" 108 cm
100 mm x 200 mm (3.94" x 7.87") M6
L : 6 mm ~ 8 mm (0.24" ~ 0.31")



English Read the safety instructions.
Español Lea las instrucciones de seguridad.
Français Lisez les consignes de sécurité.



www.philips.com/support
5214U Series
User Manual



Envision Peripherals Inc.
47490 Seabridge Drive
Fremont, CA 94538
Tel. 510-770-9988
© 2021 Koninklijke Philips N.V. All rights reserved.
Philips and the Philips Shield Emblem are registered trademarks of Koninklijke Philips N.V. and are used under license from Koninklijke Philips N.V.