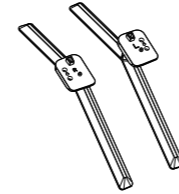
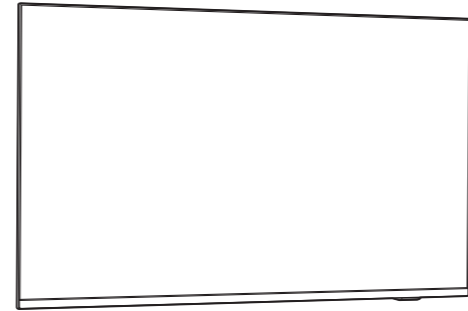
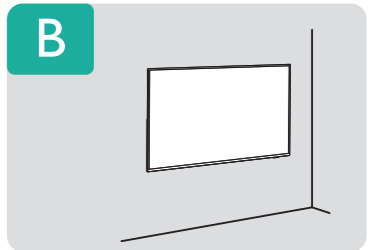
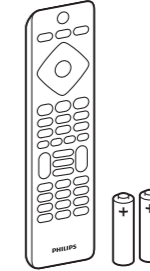
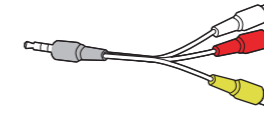
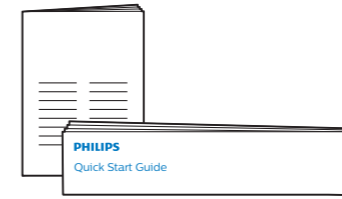


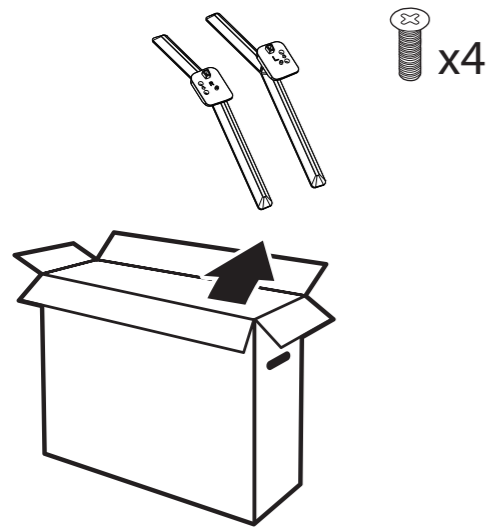
6915 series Quick Start Guide



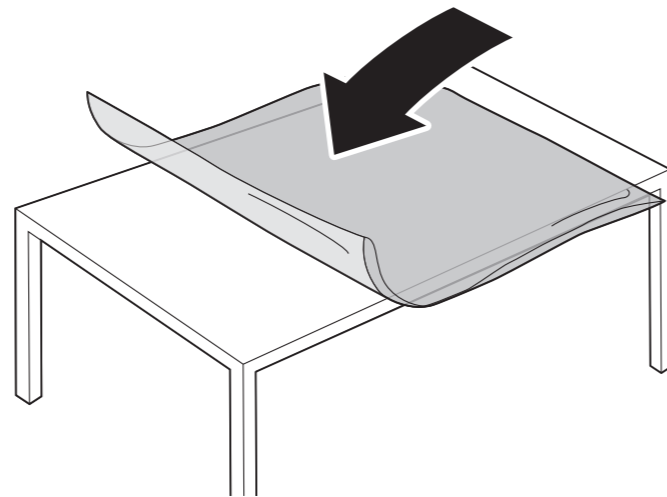
x4



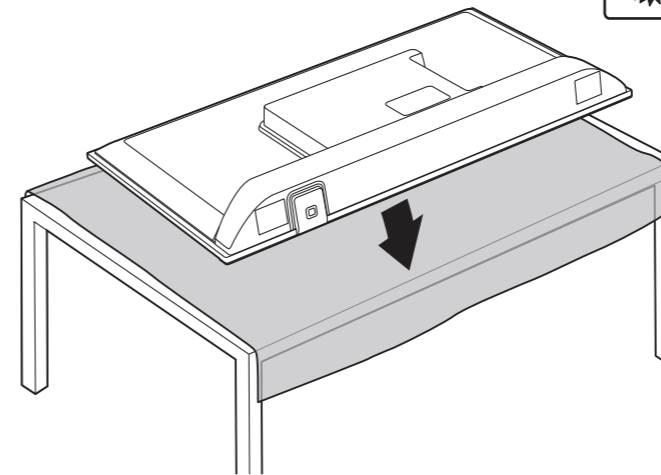
A



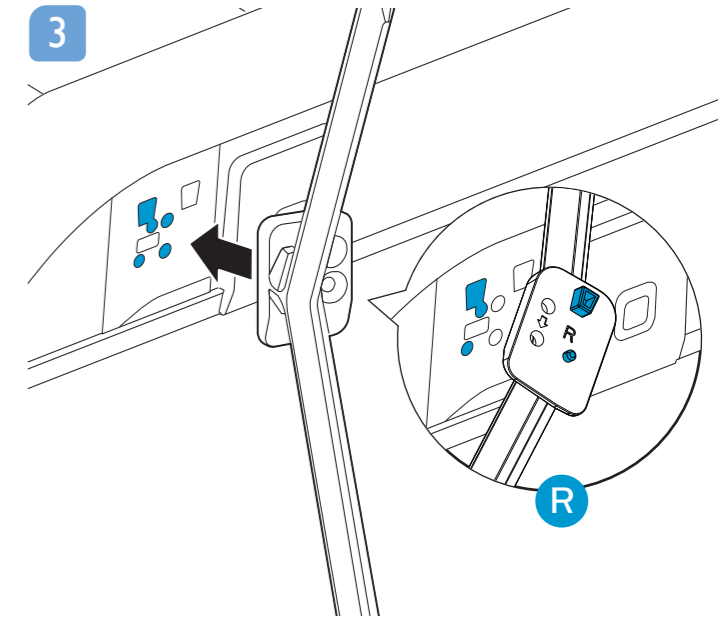
1



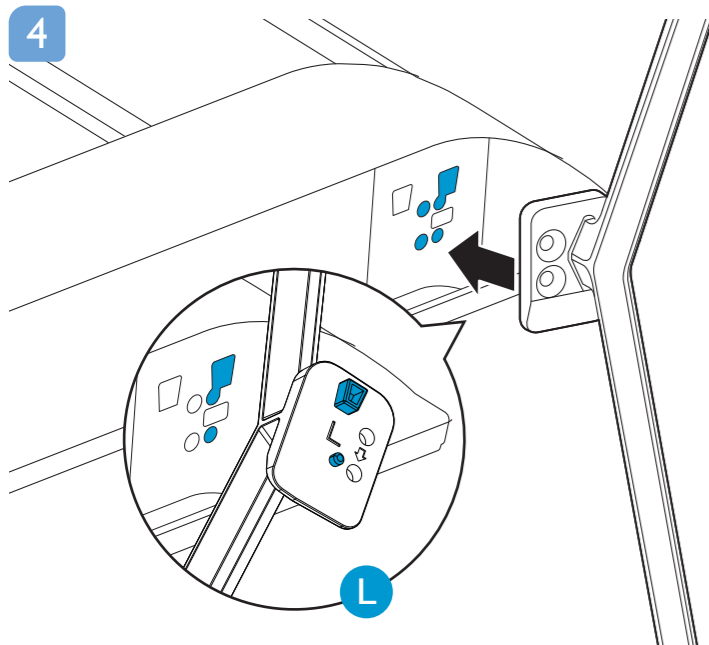
2



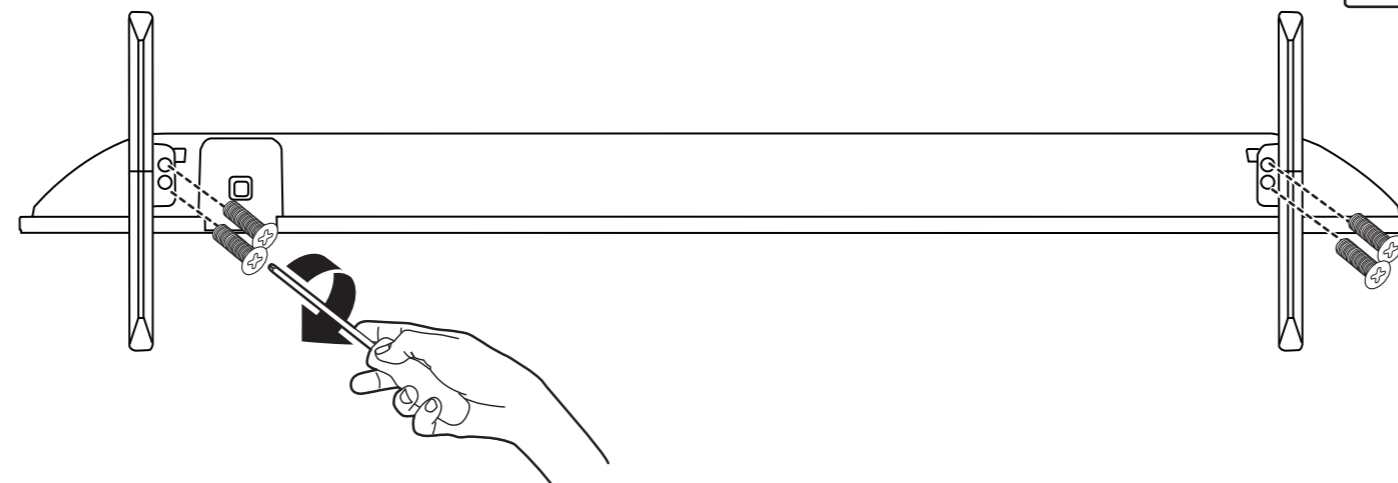
3



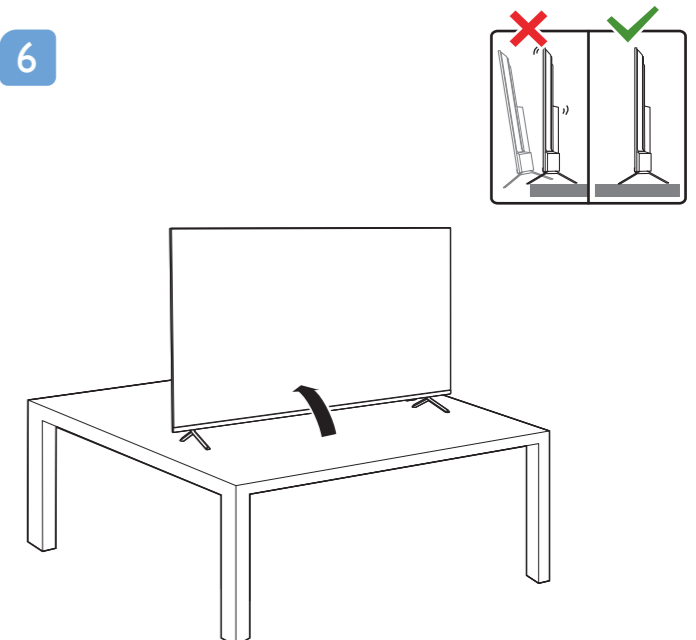
4



5



6

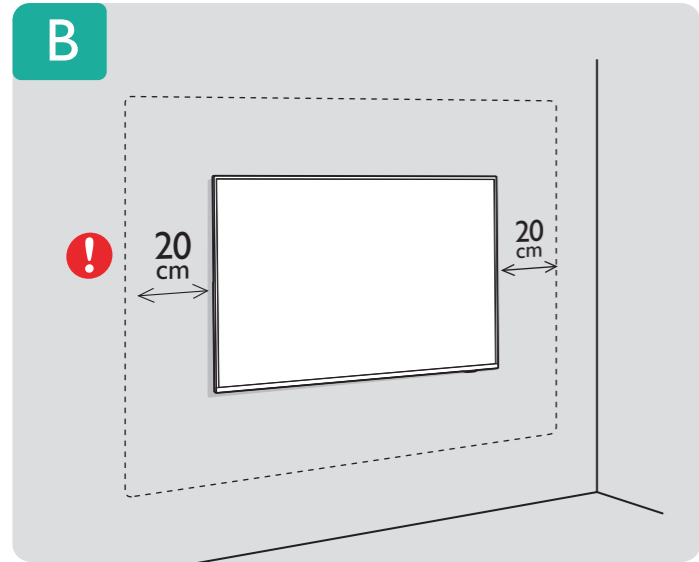
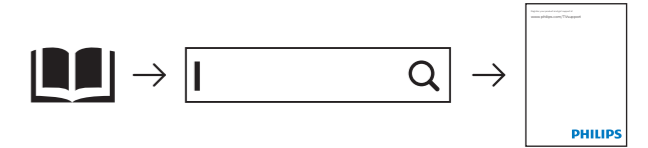




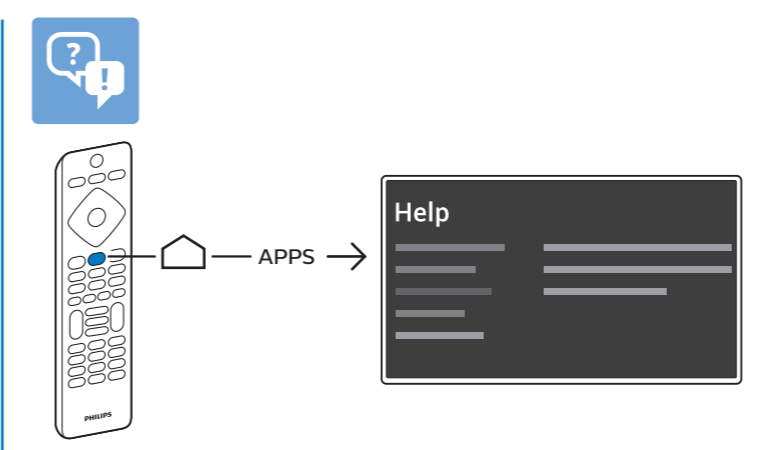
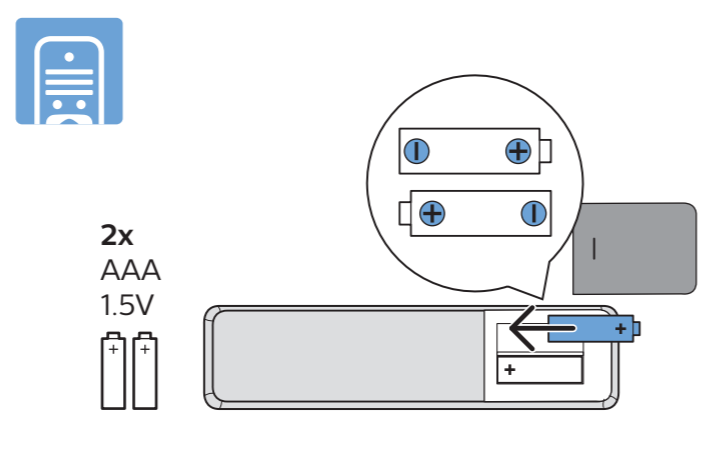
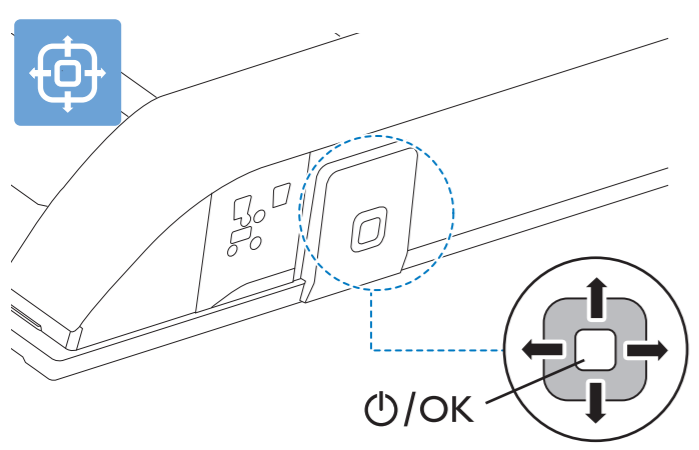
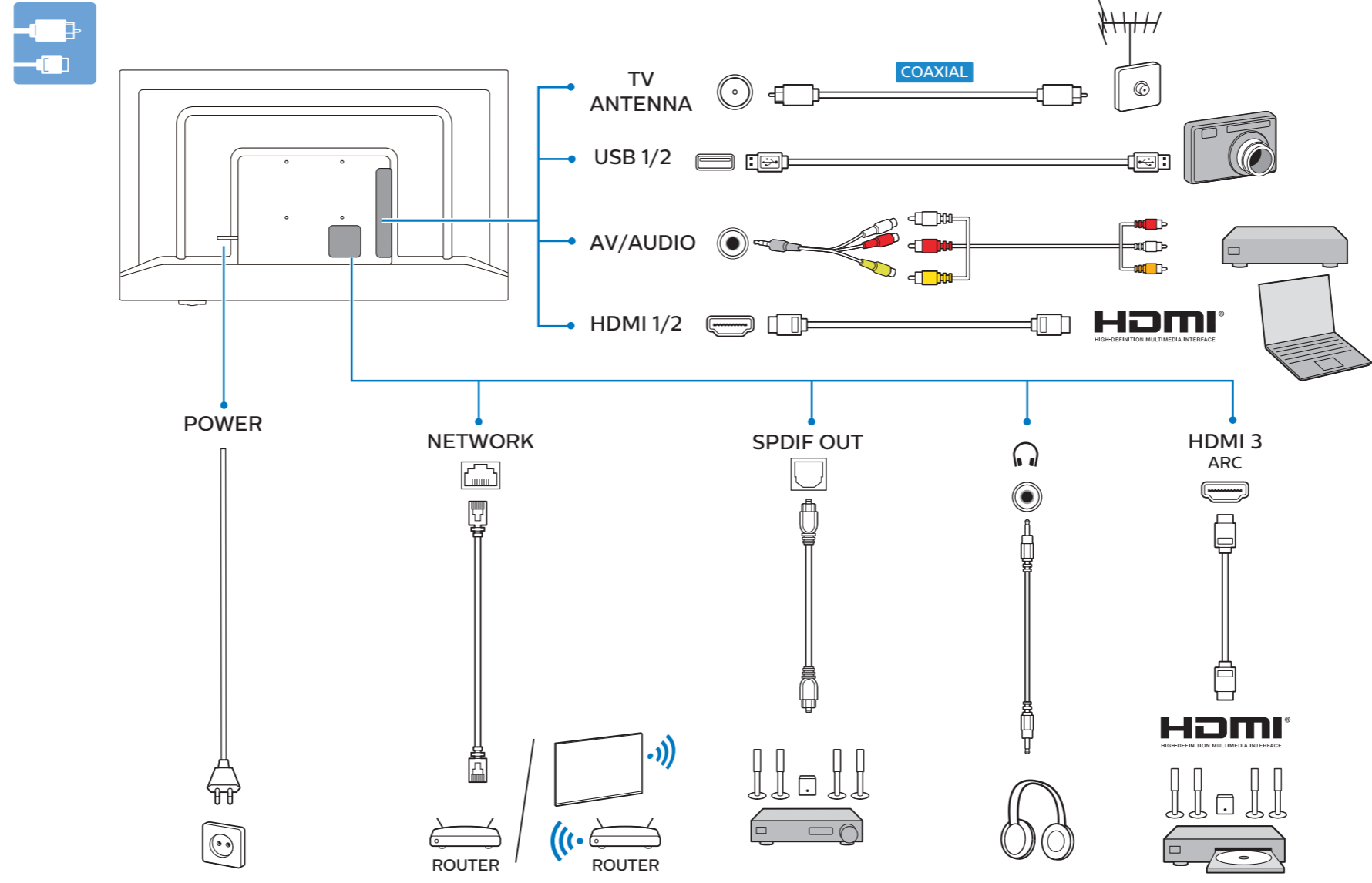
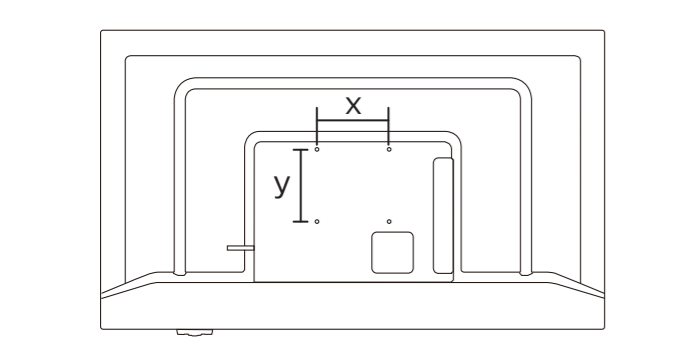
English Read the safety instructions.



Register your product and get support at www.philips.com/TVsupport



VESA (x, y)
32" 100x100mm M4 80 cm



PHILIPS All registered and unregistered trademarks are property of their respective owners. Specifications are subject to change without notice. Philips and the Philips shield emblem are trademarks of Koninklijke Philips N.V. and are used under license from Koninklijke Philips N.V. 2020 TP Vision Europe B.V. All rights reserved. philips.com