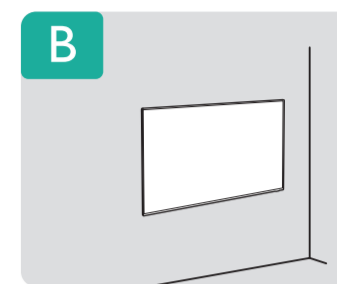
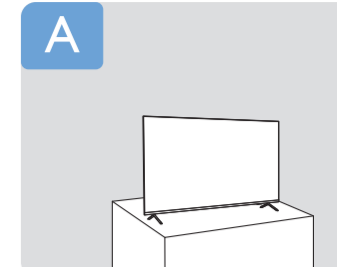
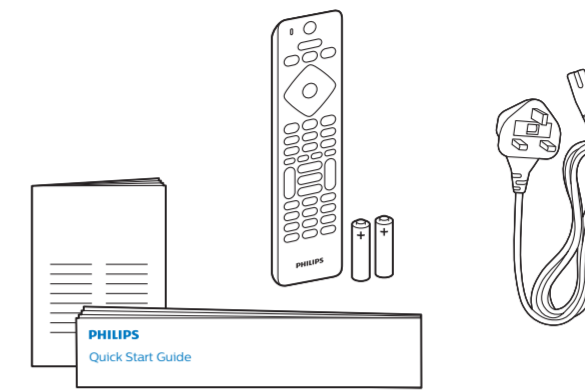
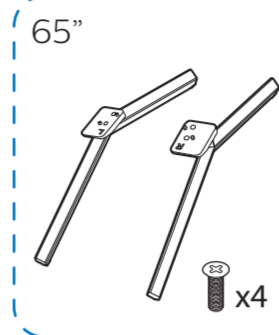
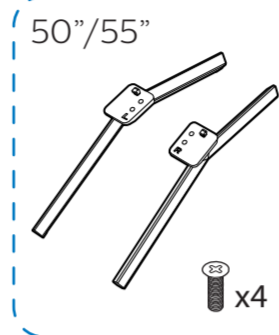
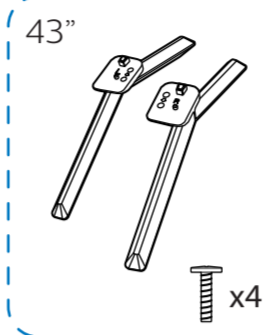
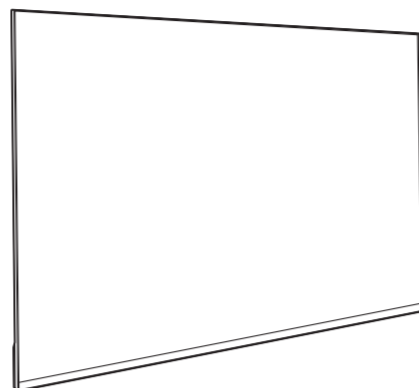
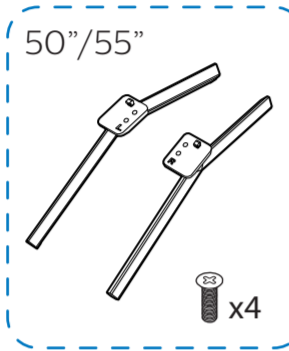
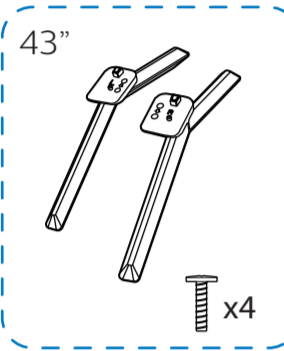


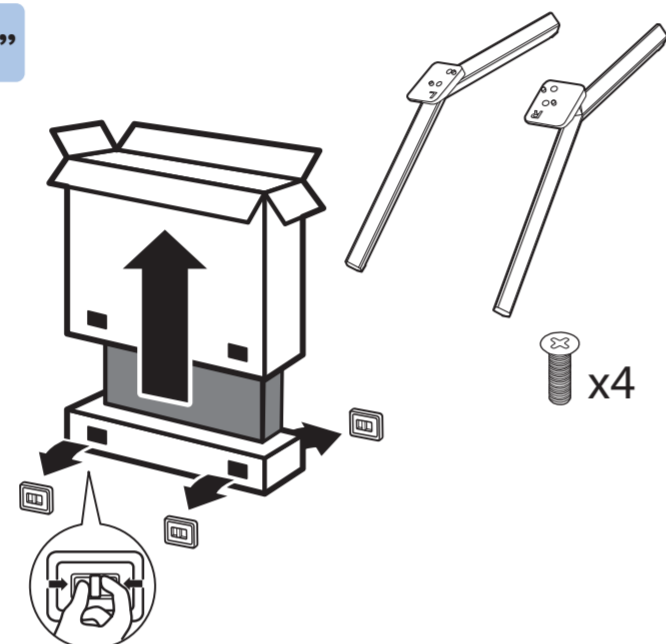
8100 Series Quick Start Guide



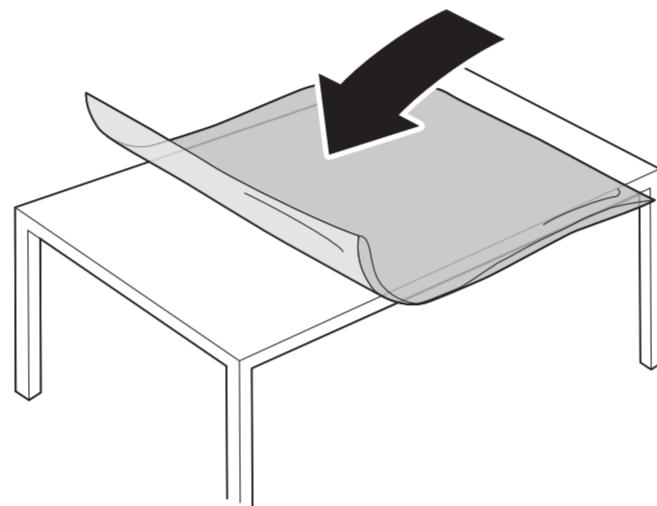
A
43"
50"
55"



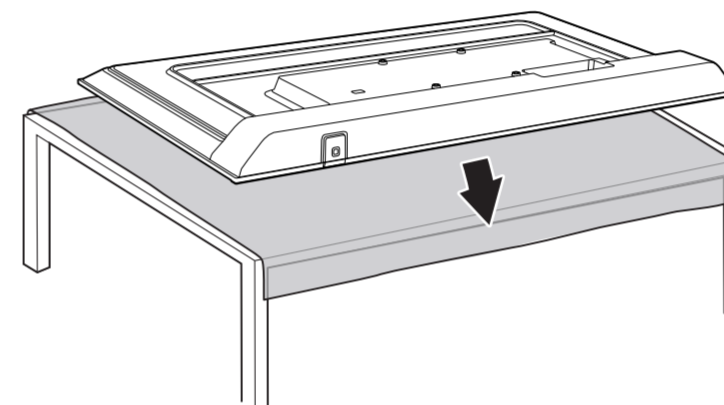
65"



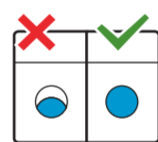
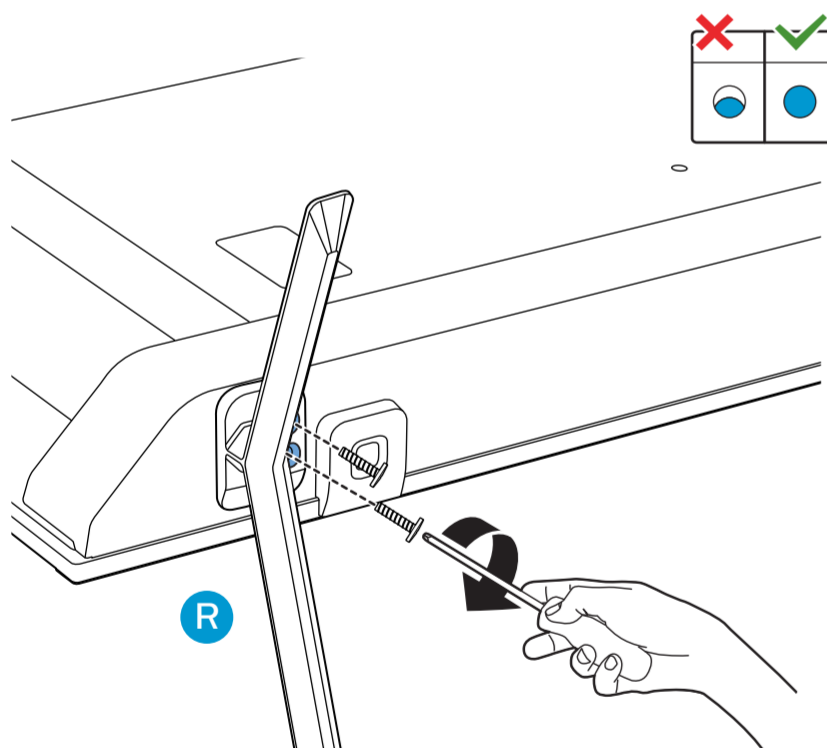
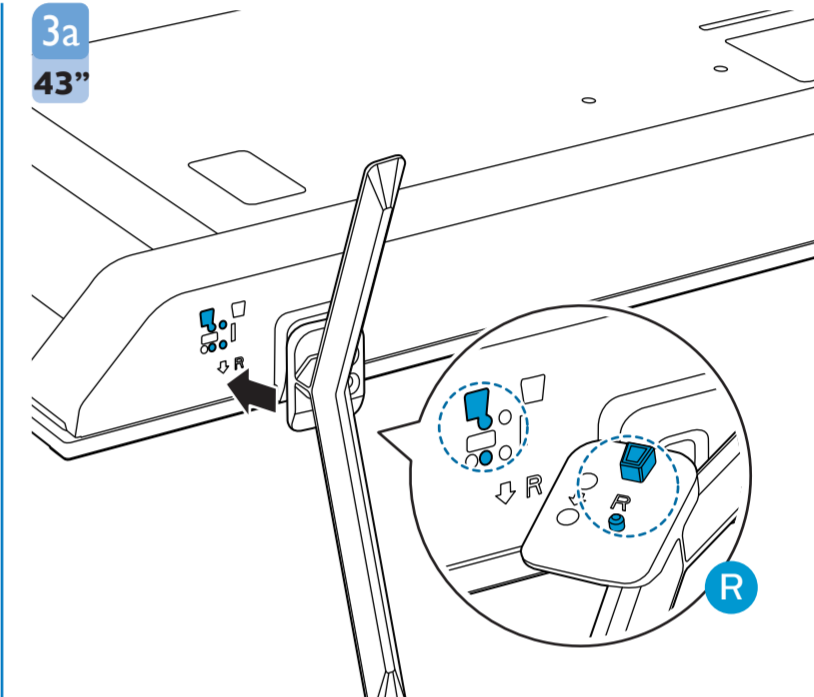
1



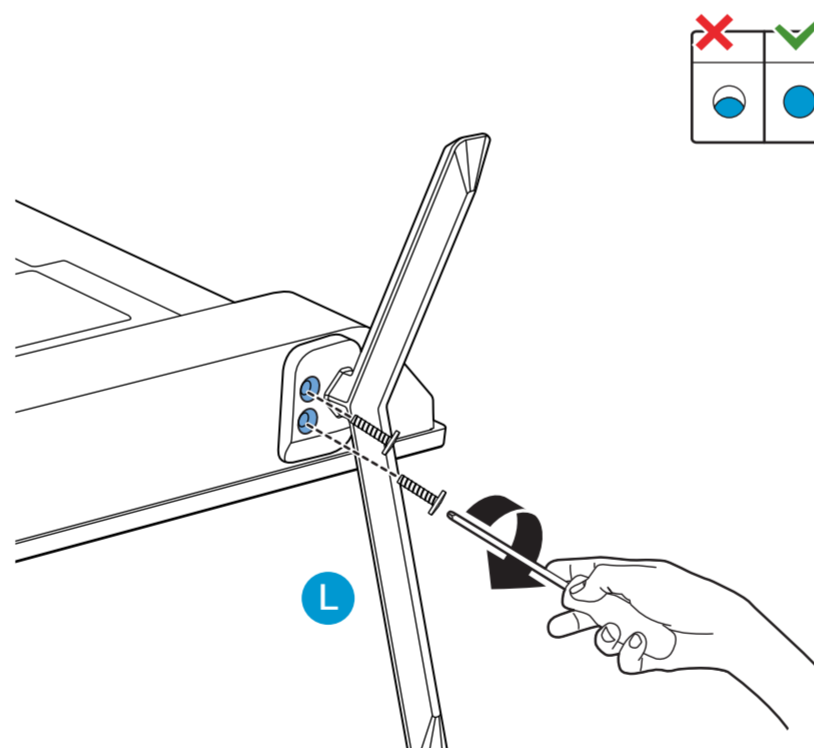
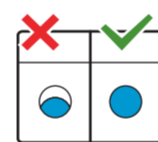
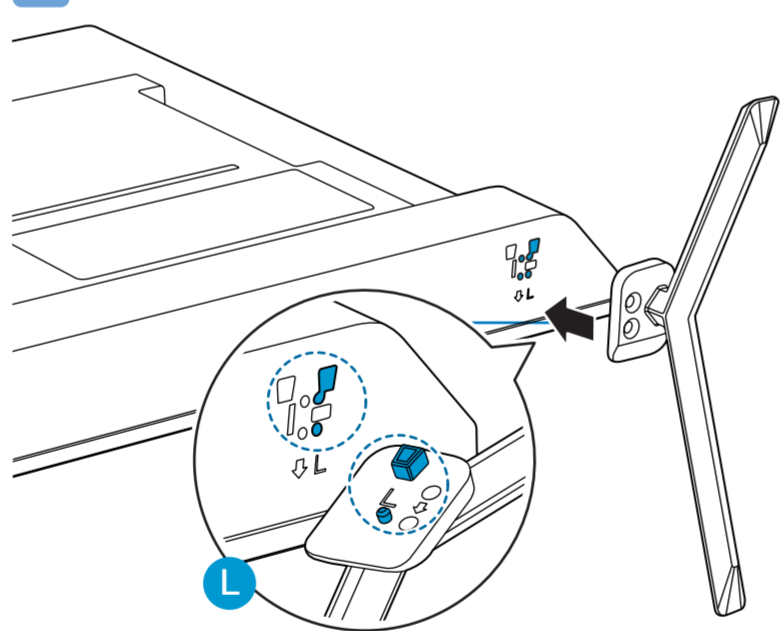
2



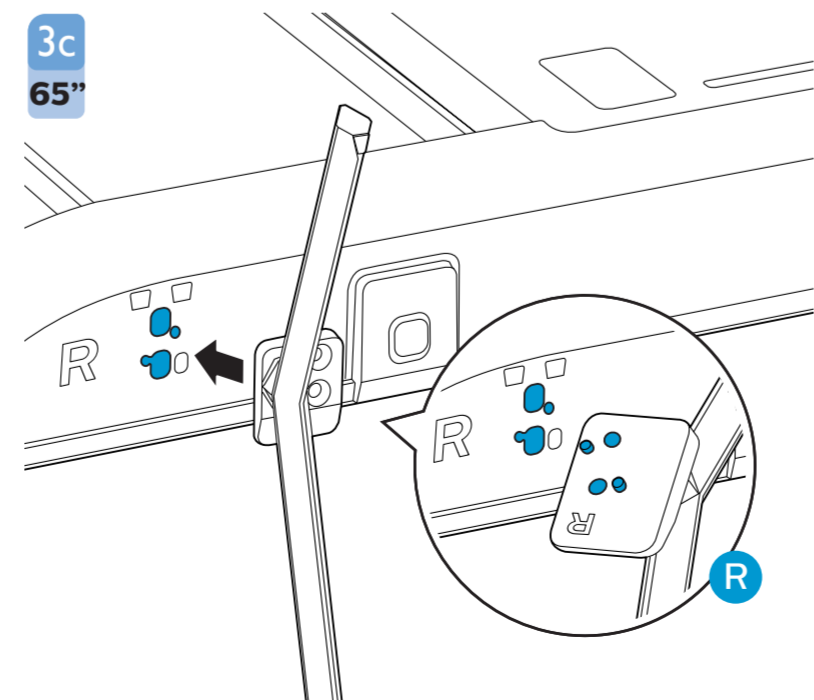
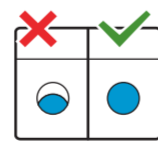
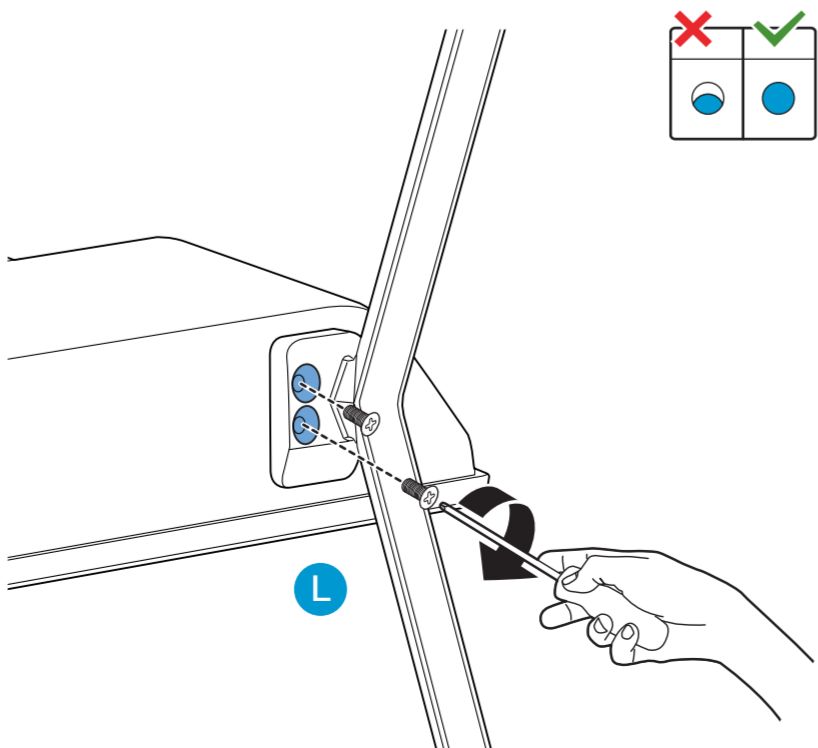
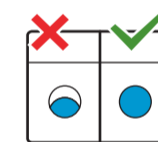
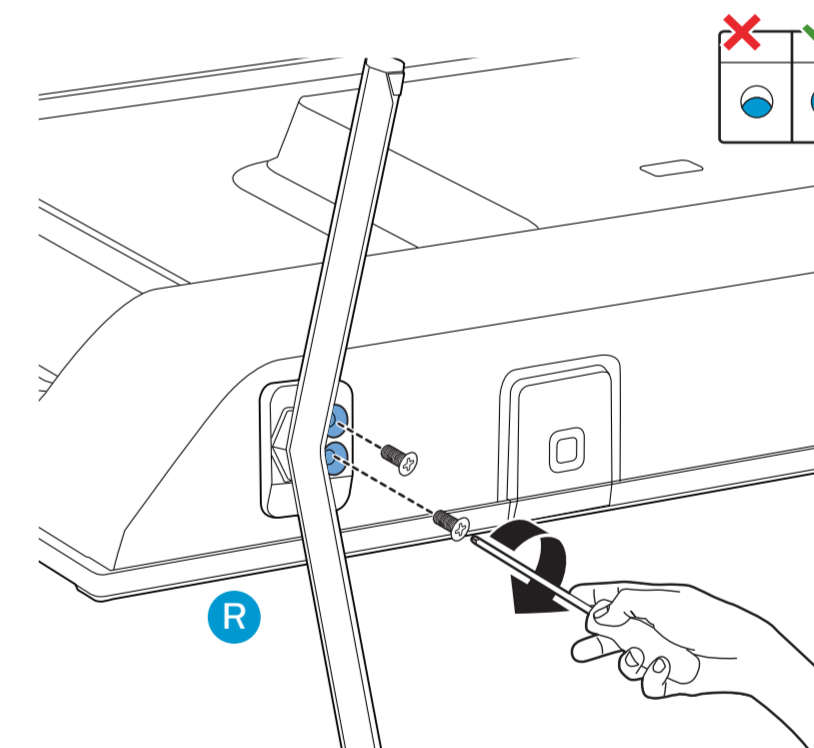
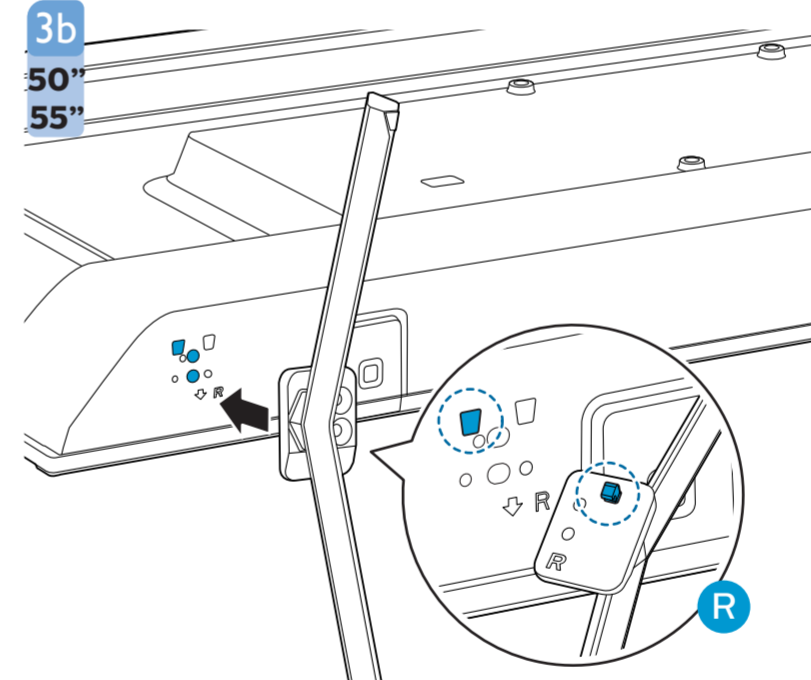
3a
43"



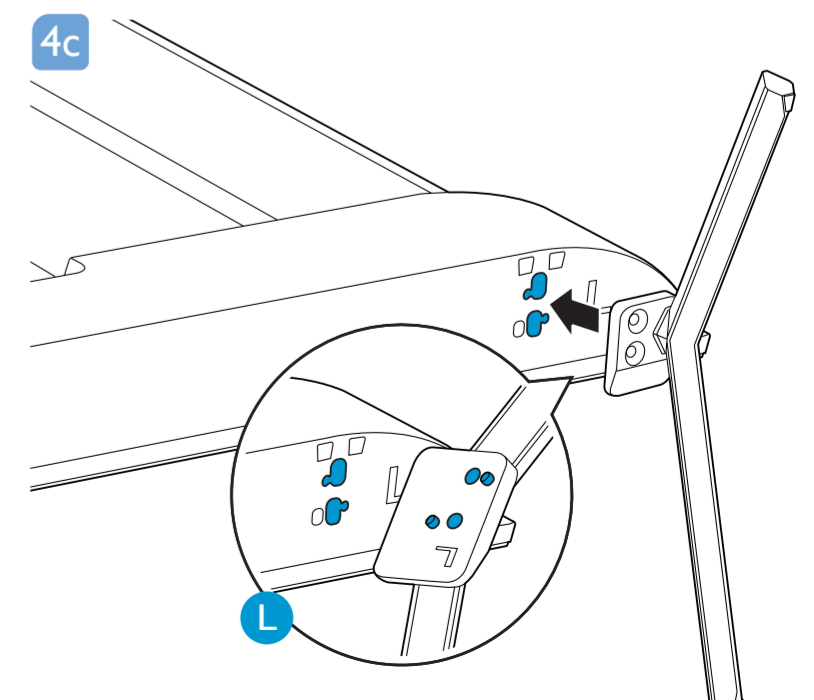
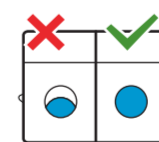
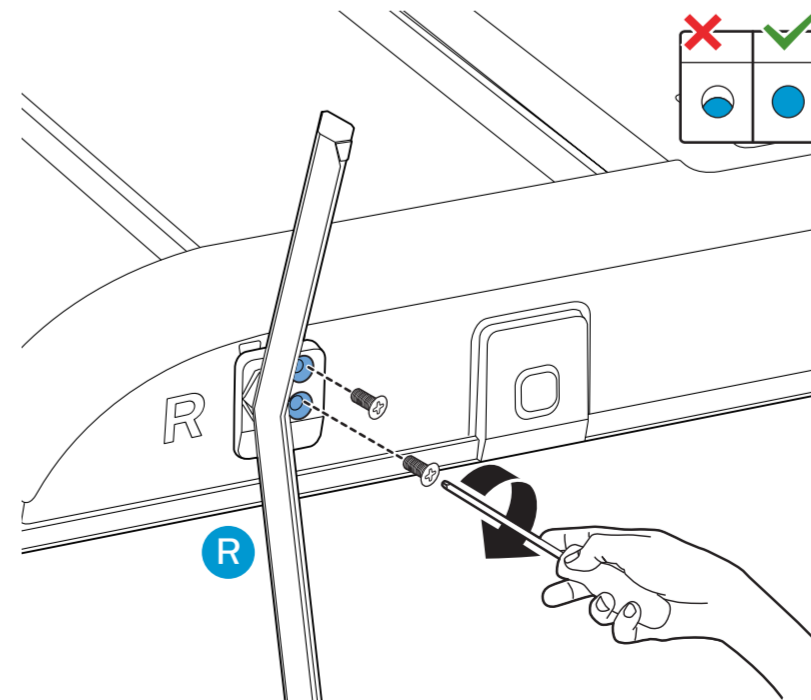
4a



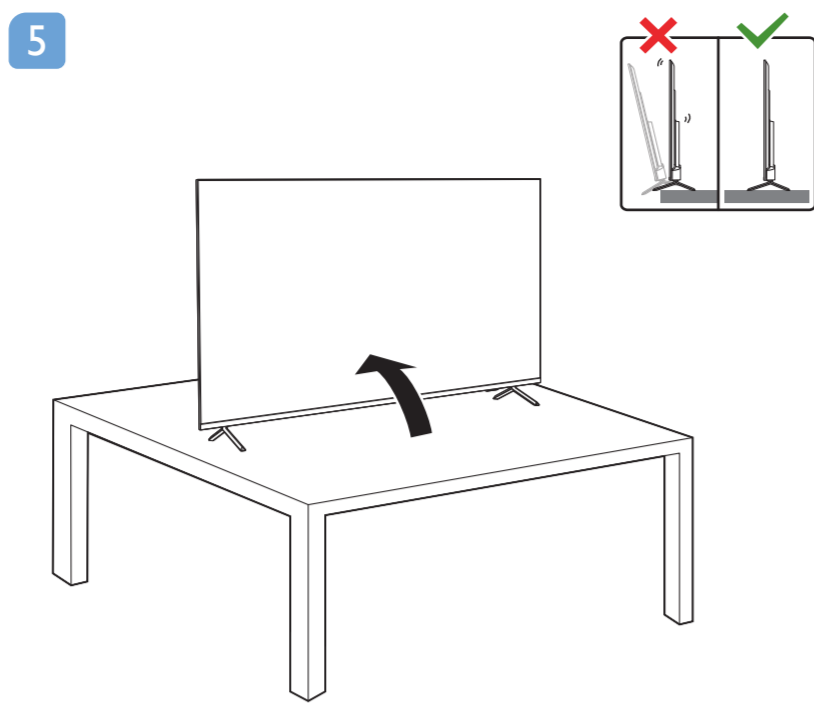
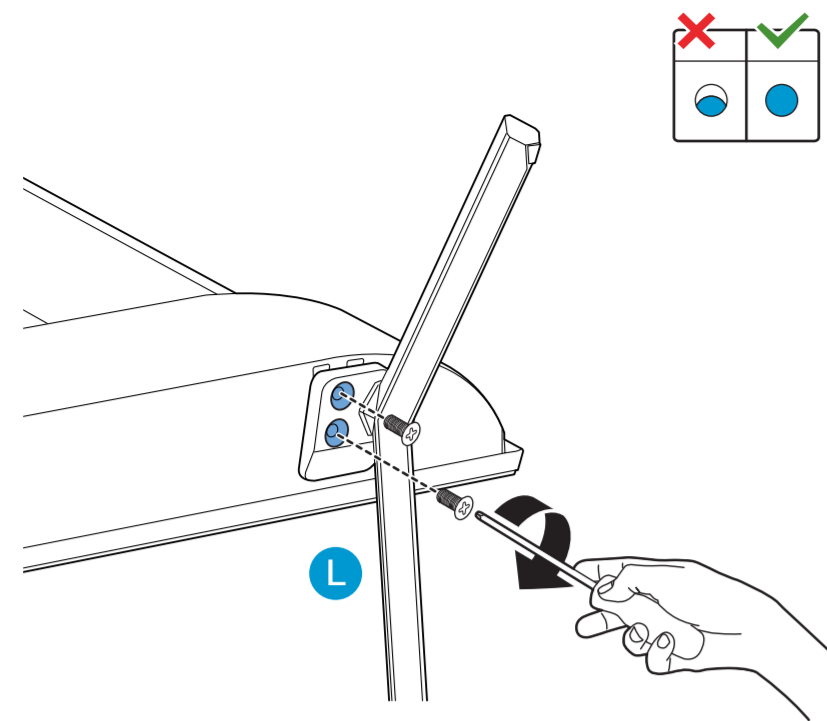
3b
50"
55"



3c
65"



4c

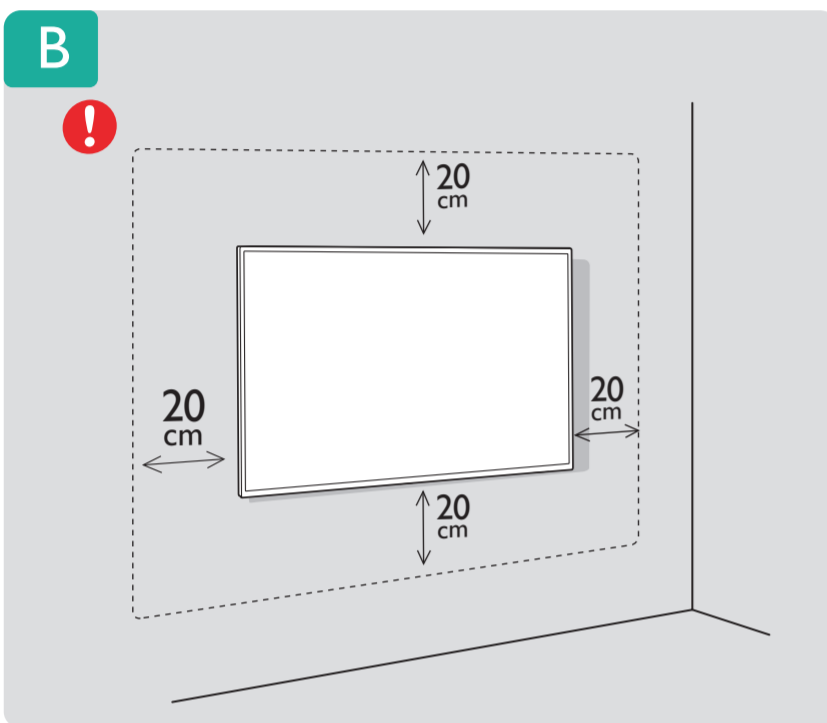
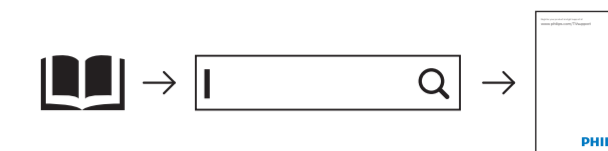


English Read the safety instructions.
繁體中文 請閱讀安全說明。
简体中文 请阅读安全说明。

English For user manual access in website, please go to www.philips.com/TVsupport and enter your model name.
繁體中文 關於網站上的用戶手冊，請至 www.philips.com/TVsupport 並輸入您的型號名稱。
简体中文 关于网站上的用户手册，请至 www.philips.com/TVsupport 并输入您的型号名称。

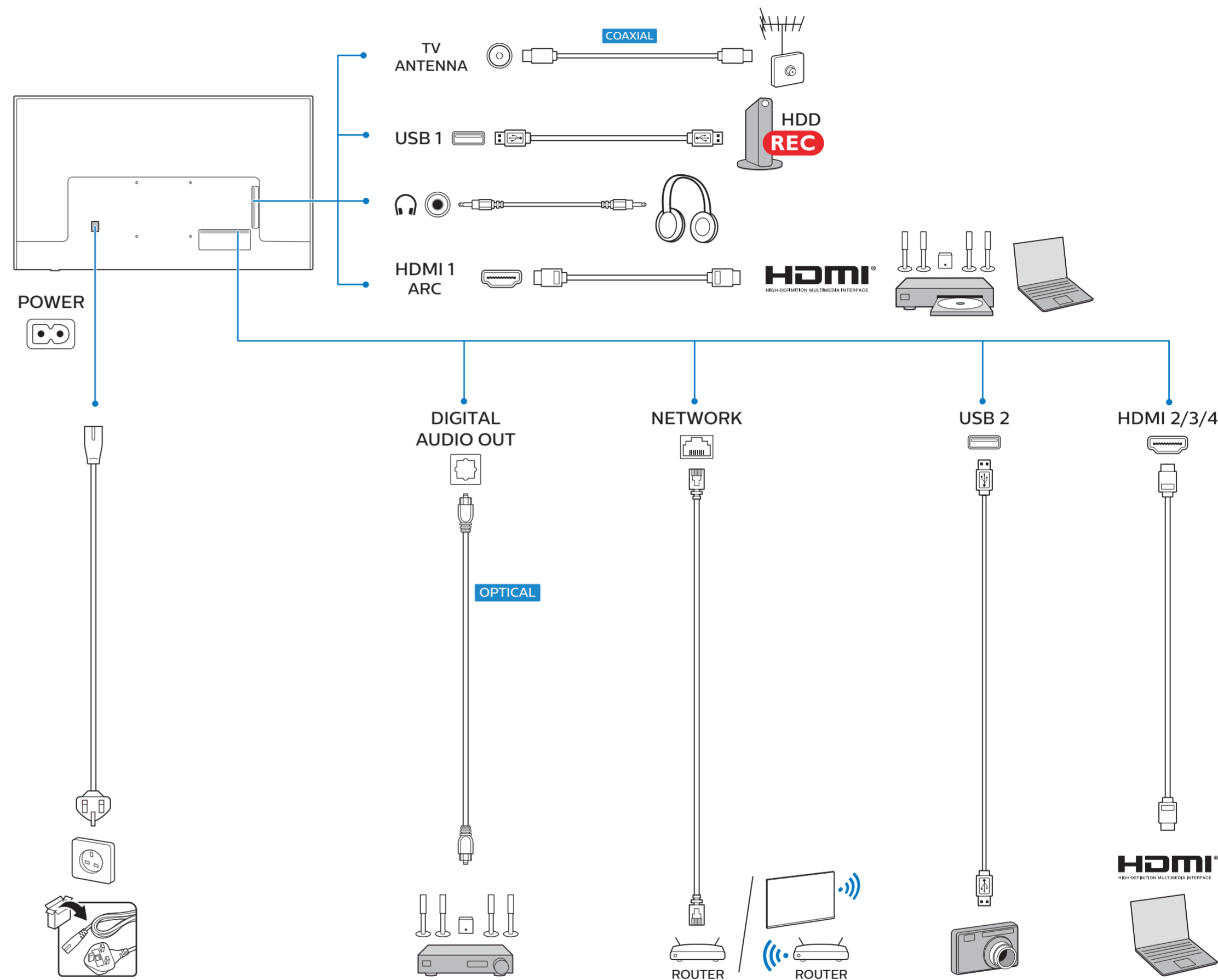
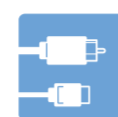
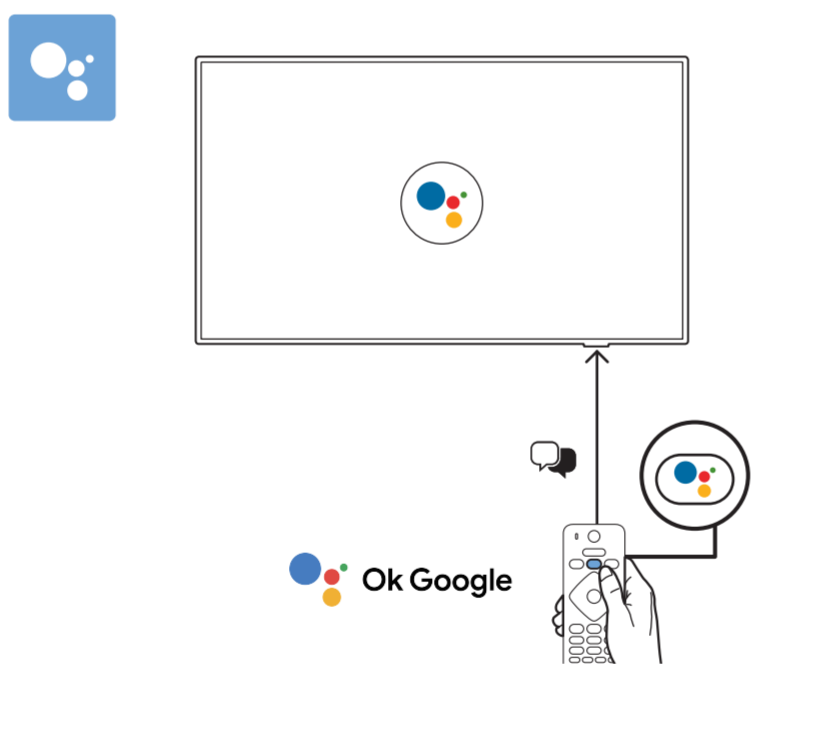
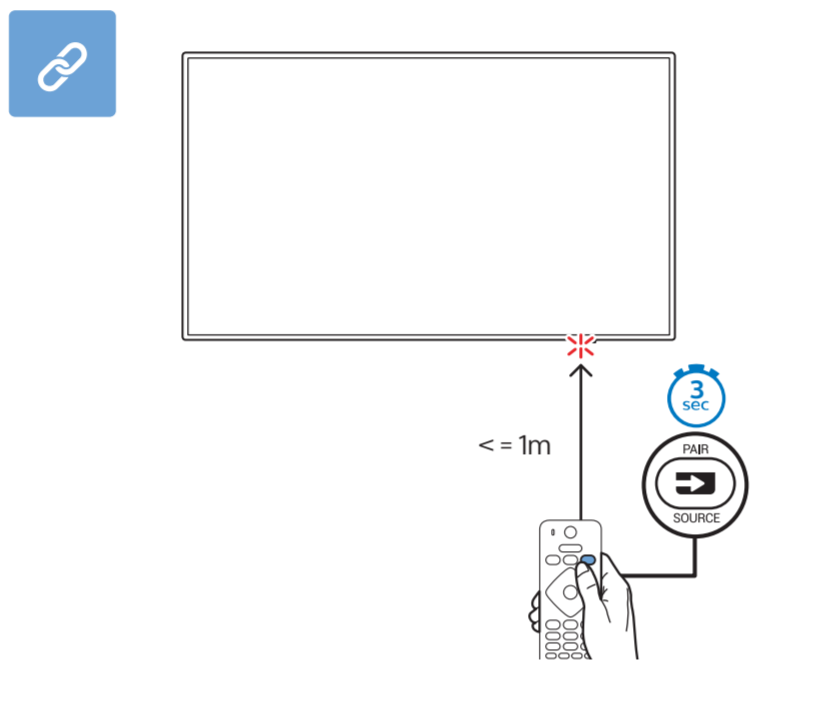
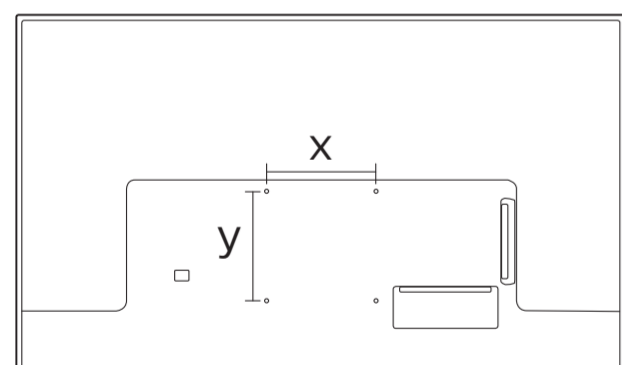


Register your product and get support at www.philips.com/TVsupport



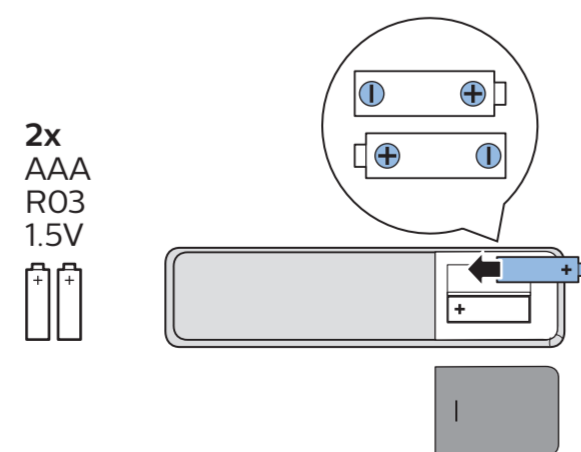
VESA (x, y)

- 43" 100x200mm M6 108 cm
- 50" 200x200mm M6 126 cm
- 55" 200x200mm M6 139 cm
- 65" 300x300mm M6 164 cm



溫馨提示：壁掛安裝時，請先將機器壁掛鎖附位置的螺絲(已安裝)取出，此螺絲非標準壁掛螺絲，請勿使用。

Kind Reminder: If you decide to wall mount your TV, kindly remove the existing screws from the TV back-cover first. These screws are not wall mounting screws and must be removed before you start any wall mount installation.



English For user manual access in TV, press Home > Blue key to open "Help".
繁體中文 關於電視裡的用戶手冊，按 HOME > 藍色鍵，開啟"協助說明"。
简体中文 关于电视里的用户手册，按 HOME > 蓝色键，打开"帮助"。

