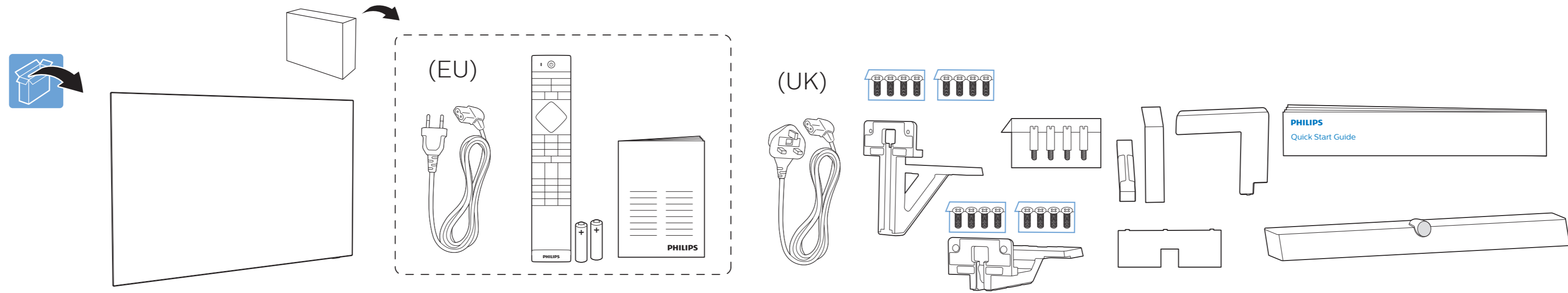
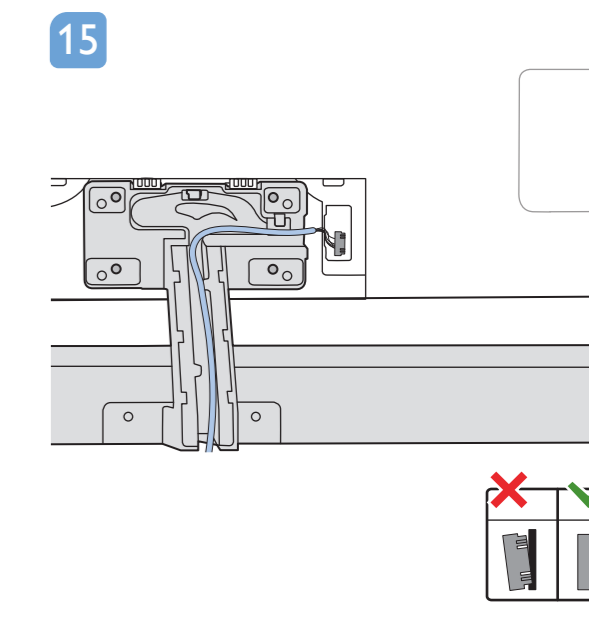
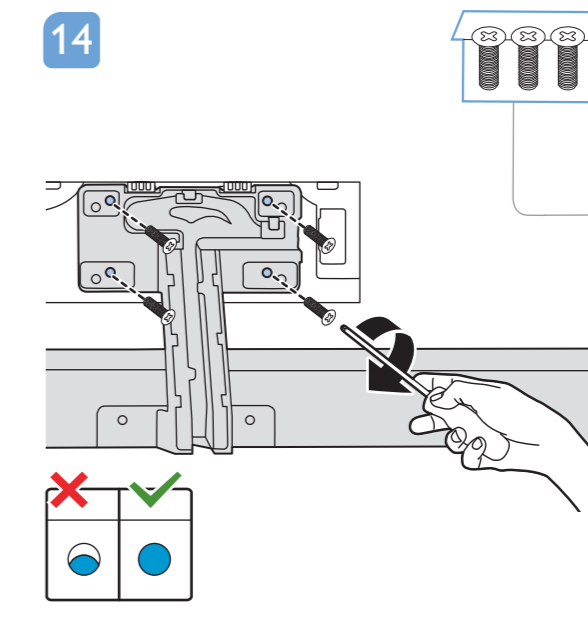
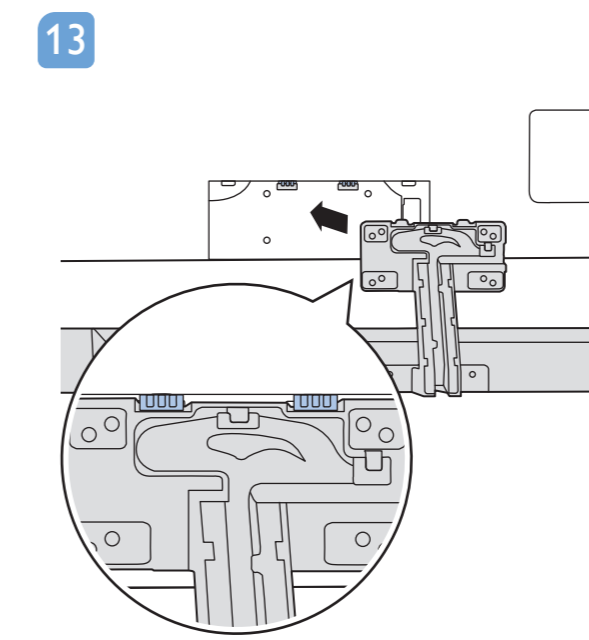
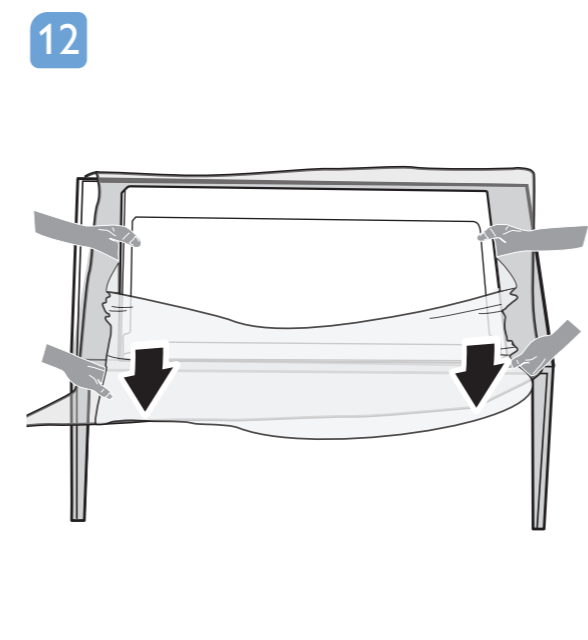
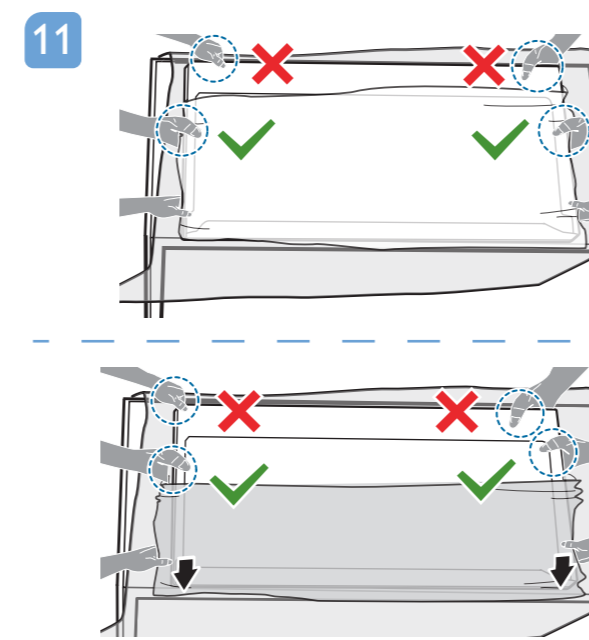
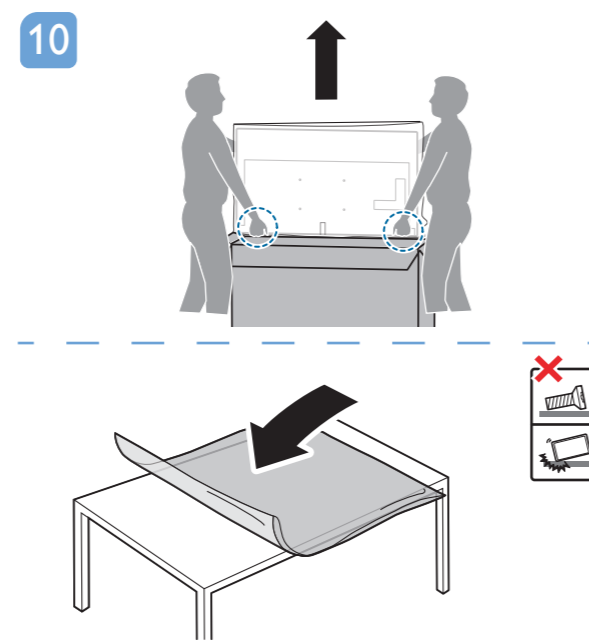
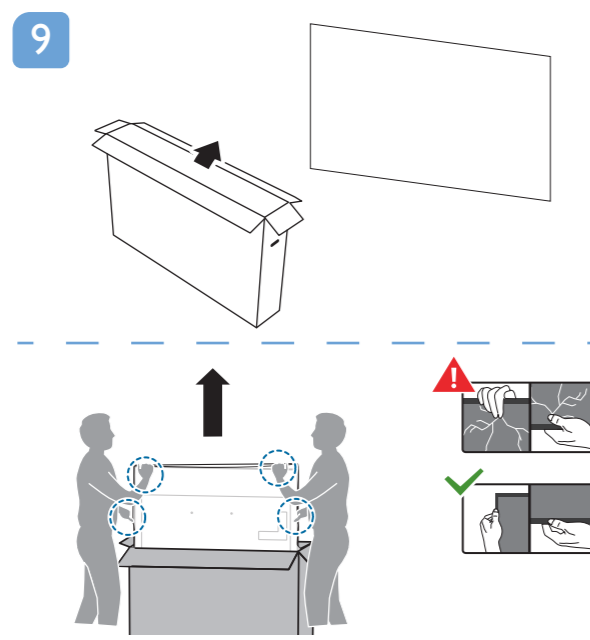
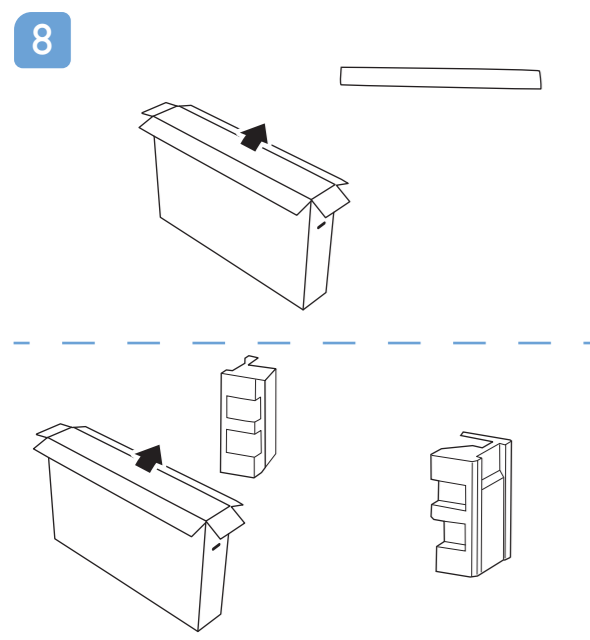
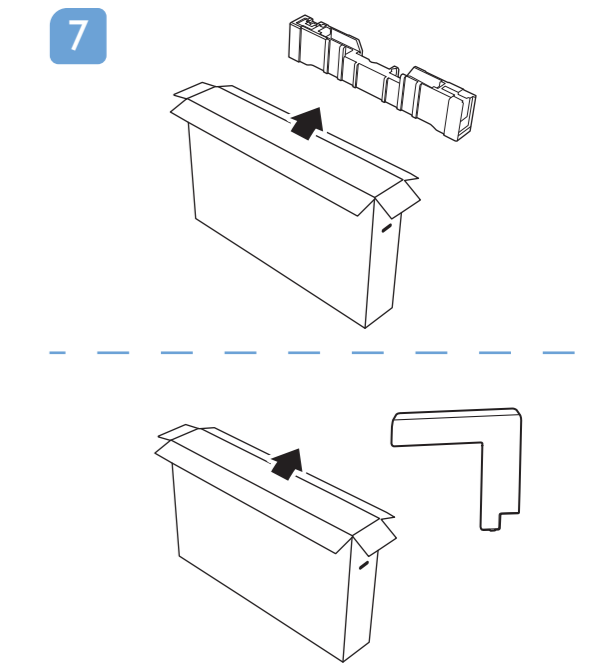
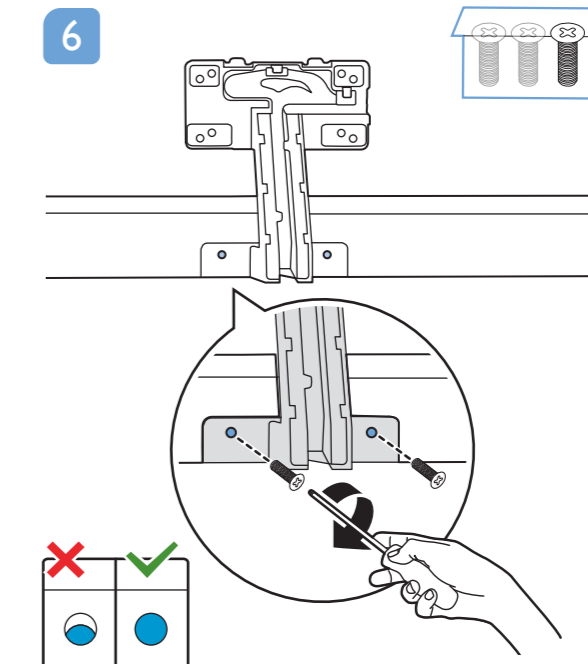
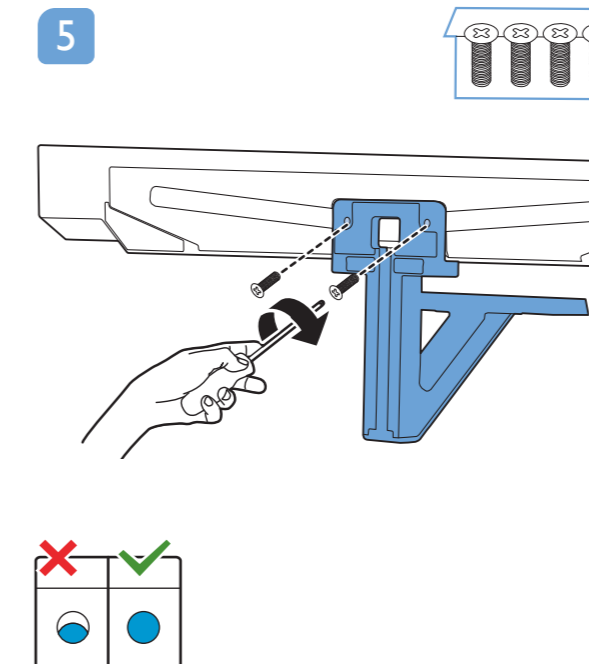
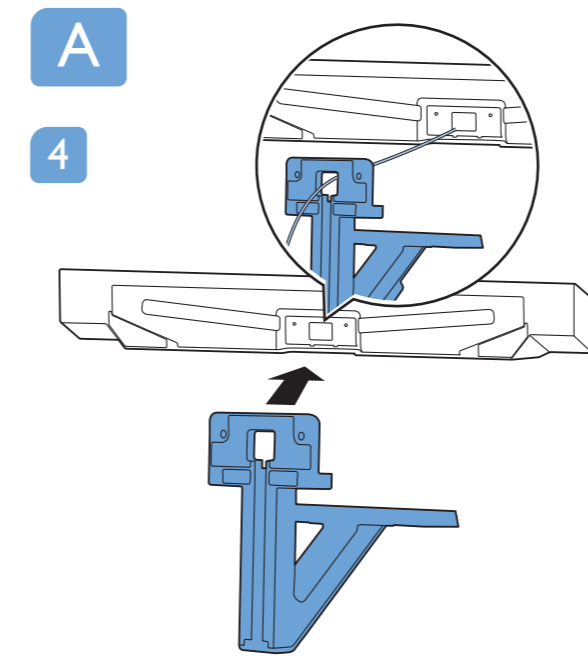
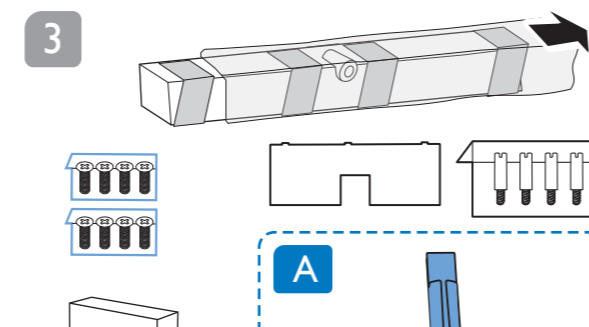
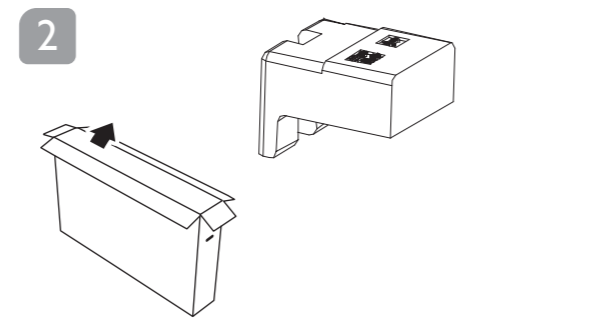
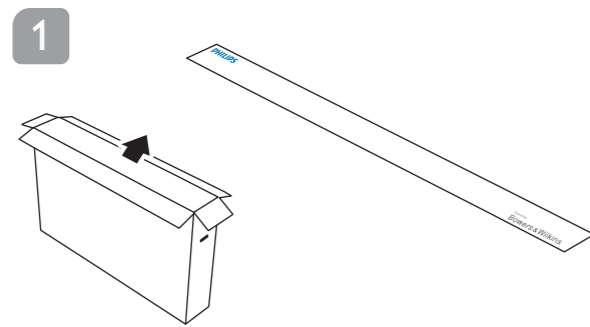
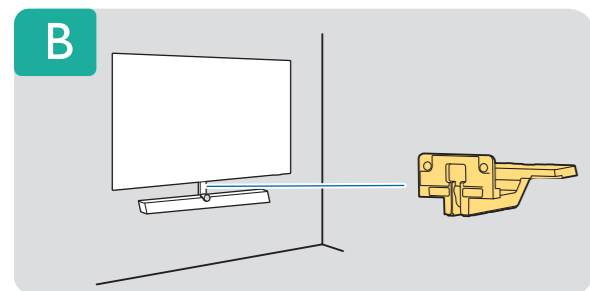
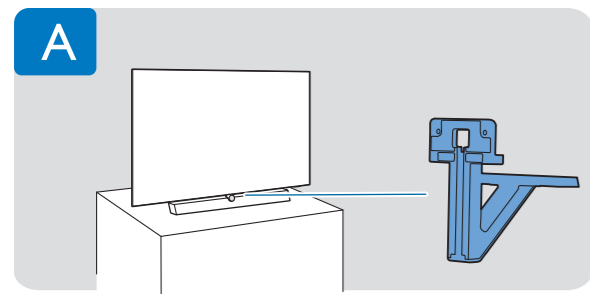


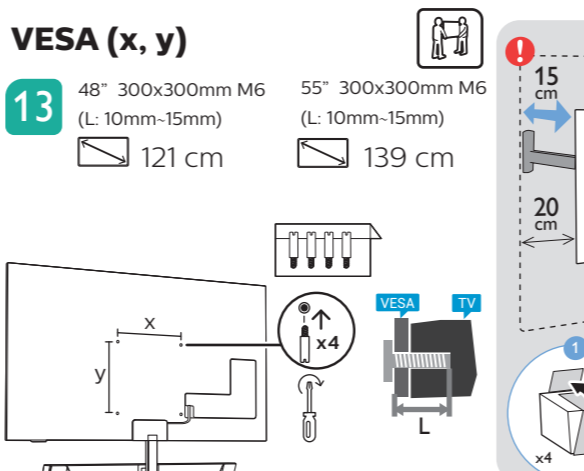
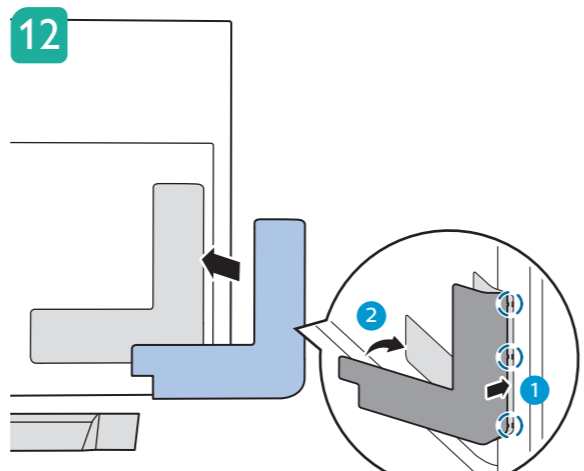
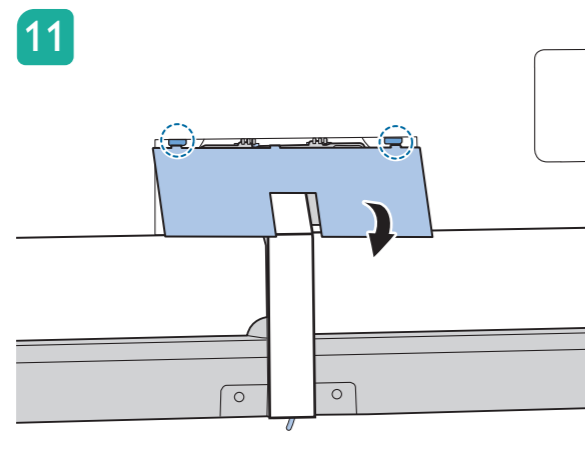
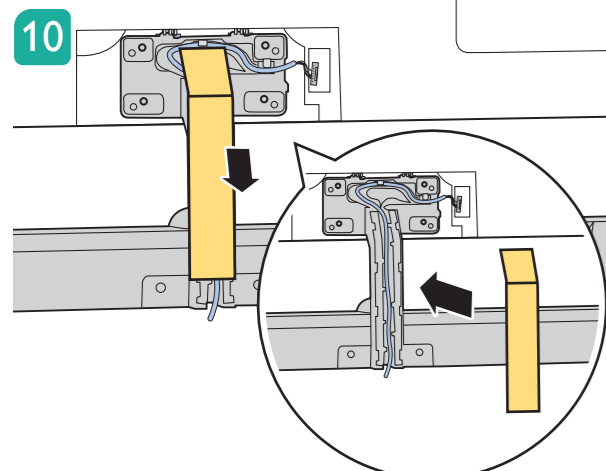
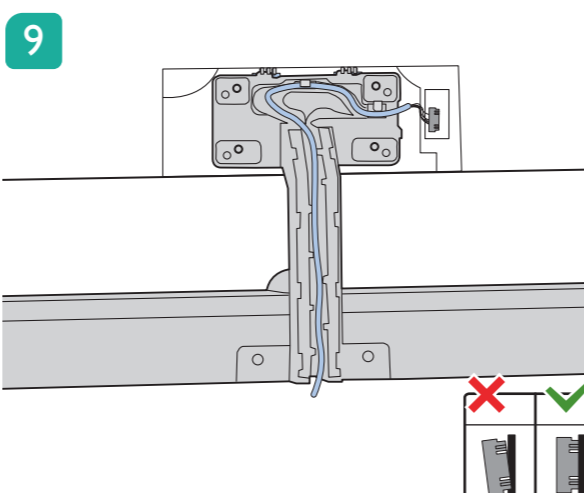
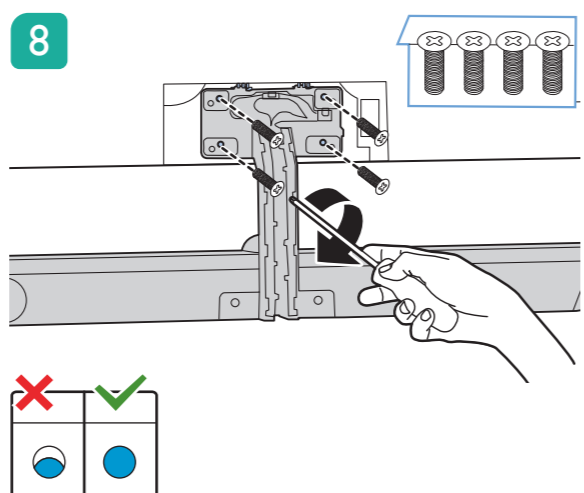
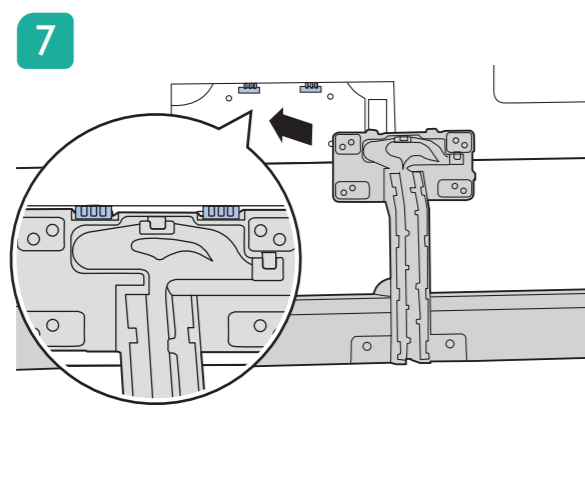
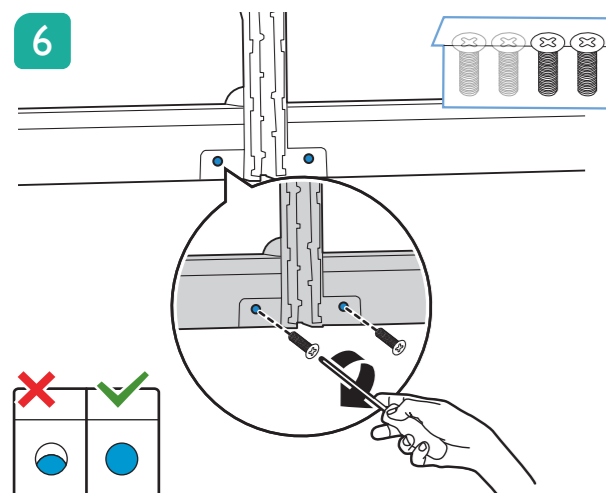
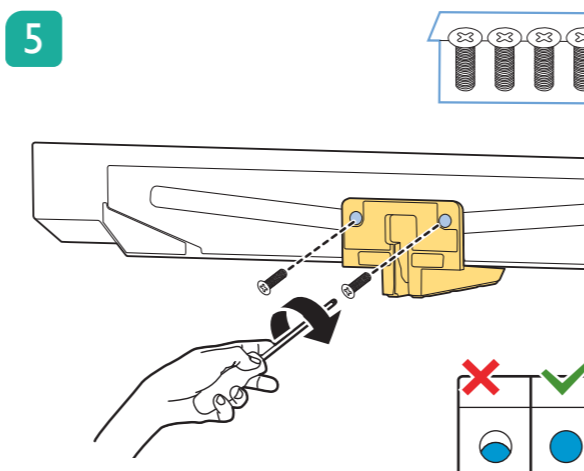
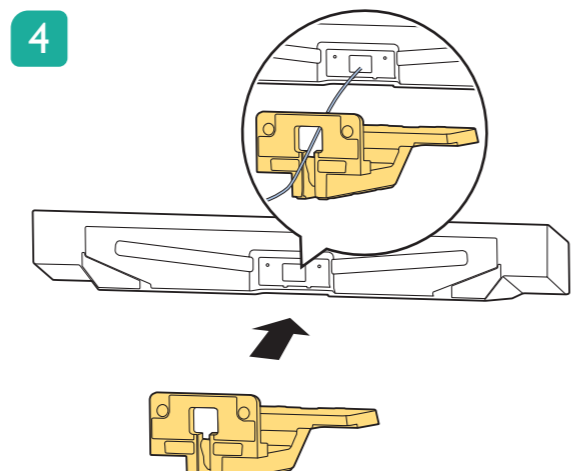
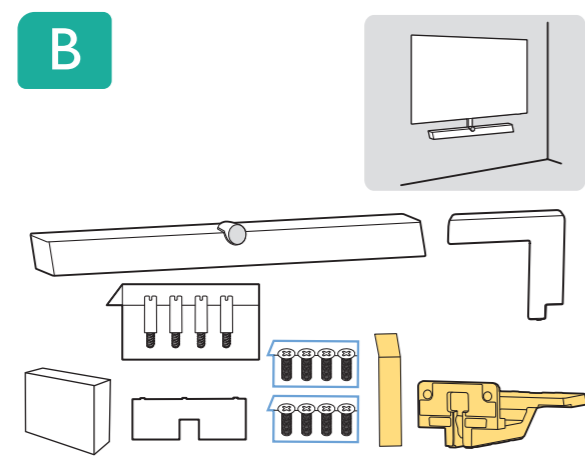
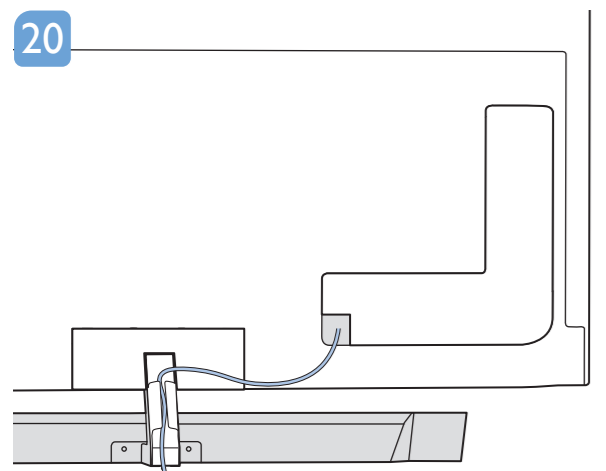
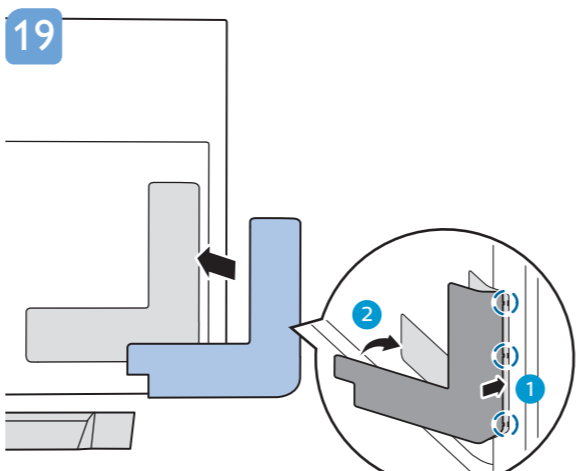
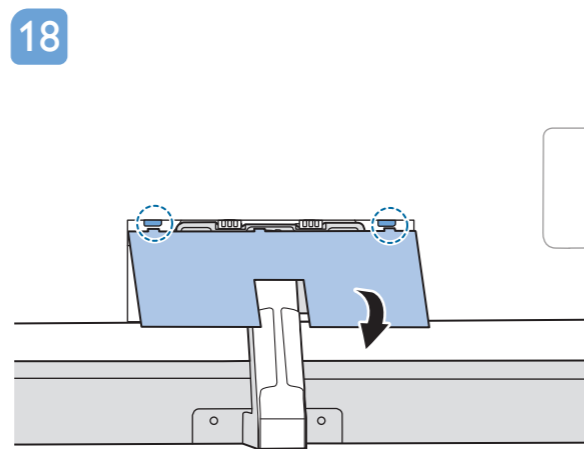
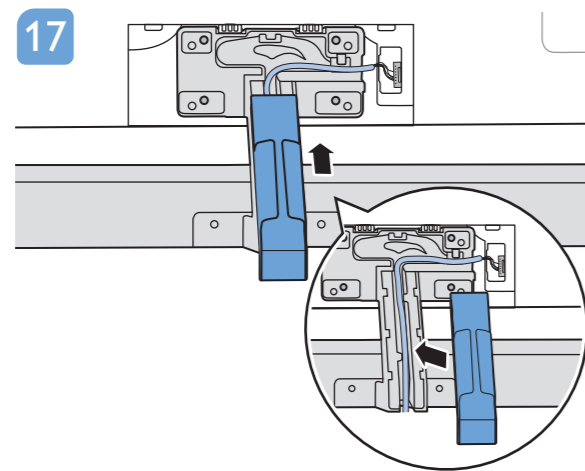
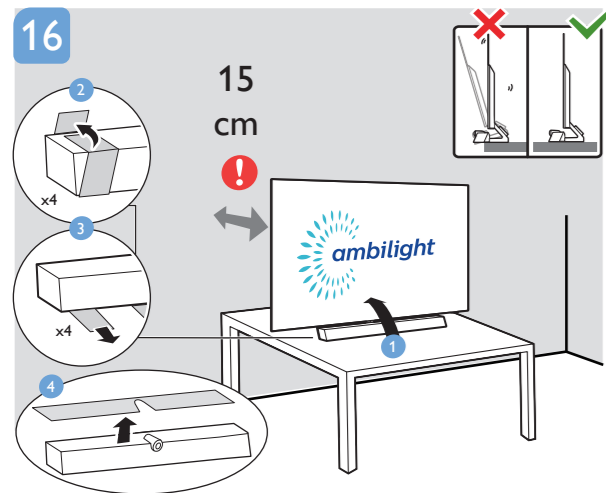
PHILIPS

OLED935 series Quick Start Guide



Sound by
Bowers & Wilkins





English Read the safety instructions.
Български Прочетете инструкциите за безопасност.
Čeština Přečtěte si bezpečnostní pokyny.
Hrvatski Pročitajte sigurnosne upute.
Dansk Læs sikkerhedsforskrifterne.
Deutsch Lesen Sie die Sicherheitshinweise.
Ελληνικά Διαβάστε τις οδηγίες ασφαλείας.
Eesti Lugege ohutusõudeid.
Español Lea las instrucciones de seguridad.

Français Lisez les consignes de sécurité.
Italiano Leggere le istruzioni di sicurezza.
Қазақша Қорғаныстық нұсқаулар.
Latviešu Izlasiet drošības norādījumus.
Lietuvių Perskaitykite saugos instrukcijas.
Magyar Olvassa el a biztonságási utasításokat.
Nederlands Lees de veiligheidsvoorschriften.
Norsk Les sikkerhetsforskriftene.
Polski Zapoznaj się z instrukcjami bezpieczeństwa.

Português Leia as instruções de segurança.
Română Citiți instrucțiunile de siguranță.
Русский Читайте инструкции по технике безопасности.
Srpski Pročitajte bezbednosna uputstva.
Slovenščina Preberite varnostna navodila.
Slovensky Prečítajte si bezpečnostné pokyny.
Suomi Lue turvaohjeet.
Svenska Läs säkerhetsinstruktionerna.
ภาษาไทย โปรดอ่านคำแนะนำด้านความปลอดภัย

Türkçe Güvenlik talimatlarını okuyun.
Українська Читайте інструкції з техніки безпеки.
العربية قراءة تعليمات السلامة.
עברית קראו את הוראות הבטיחות

Register your product and get support at www.philips.com/TVsupport

COMMON INTERFACE

- USB 1 5.0V⇒500mA
- USB 2 5.0V⇒900mA
- HDMI 1/2/3 ARC

POWER (EU) **POWER (UK)**

SUBWOOFER PRE OUT

NETWORK

SAT (EU) **SATELLITE COAXIAL**

ANTENNA **COAXIAL**

DIGITAL AUDIO OUT **TOSLINK**

HDMI 4 ARC

Google Assistant

WiFi CERTIFIED

Internet

TV software upgrade for Smart TV (From Internet)

RC Instructions

Step 1 Insert the batteries into the battery compartment.

Step 2 Press the power button.

Step 3 Press the power button on the remote control.

Help

PHILIPS

All registered and unregistered trademarks are property of their respective owners. Specifications are subject to change without notice. Philips and the Philips' shield emblem are trademarks of Koninklijke Philips N.V. and are used under license from Koninklijke Philips N.V. ©2020 TP Vision Europe B.V. All rights reserved. philips.com