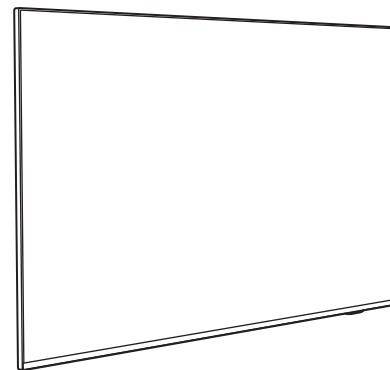


PHILIPS

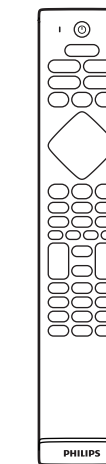
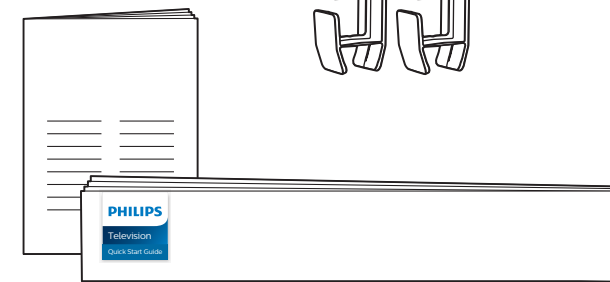
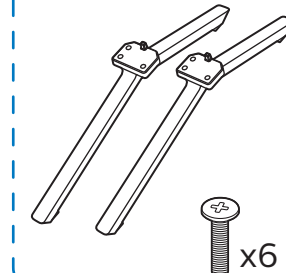
Television

Quick Start Guide

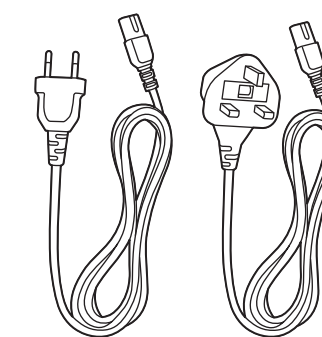
8506 / 8546 series



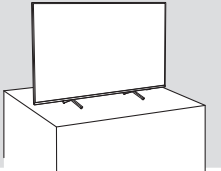
70"/75"



(EU) (UK)



A

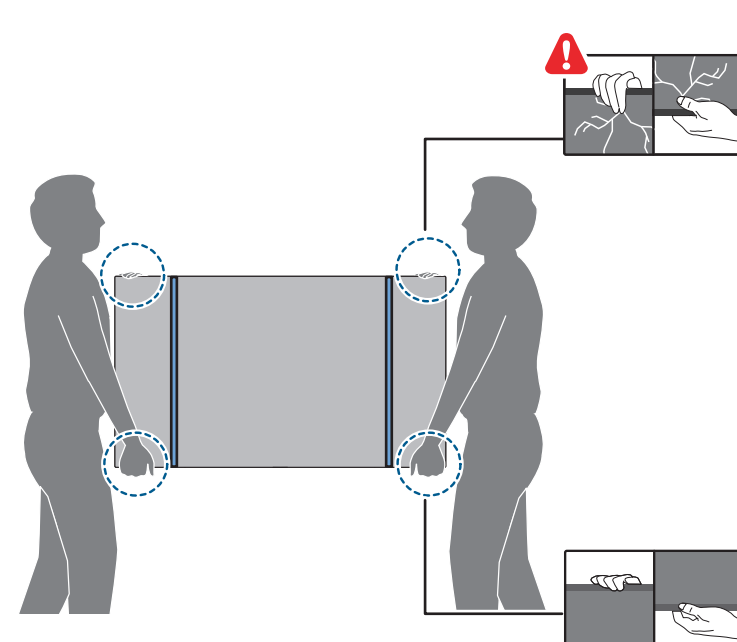
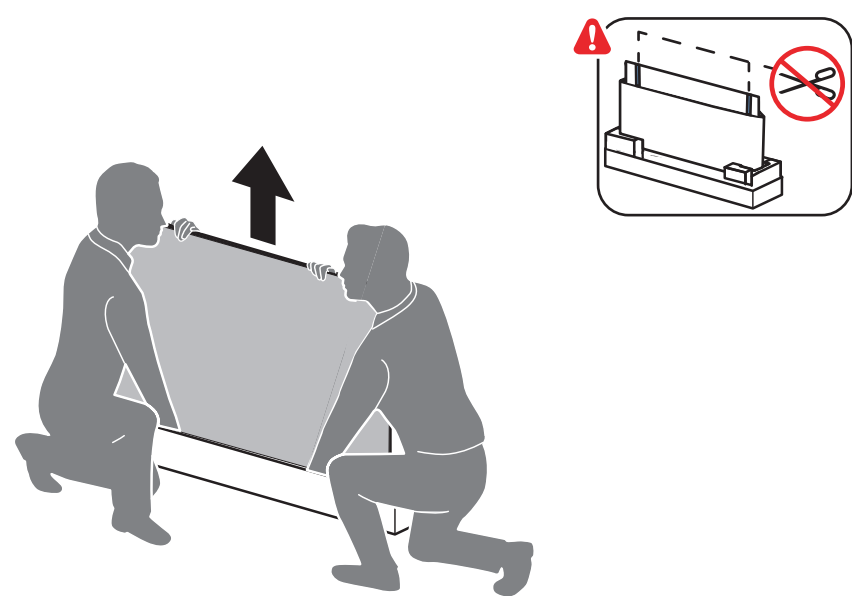
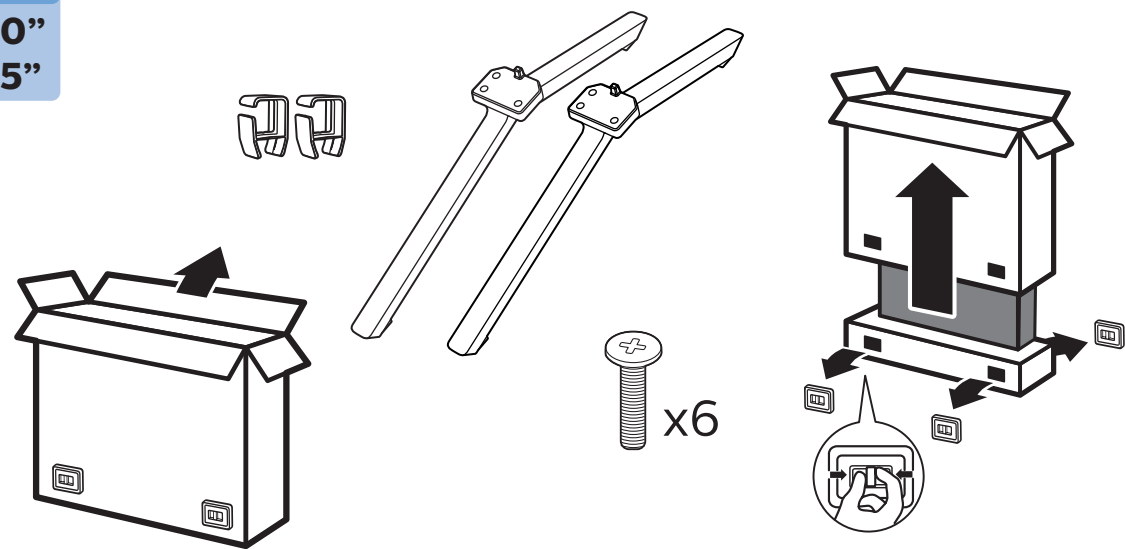


B

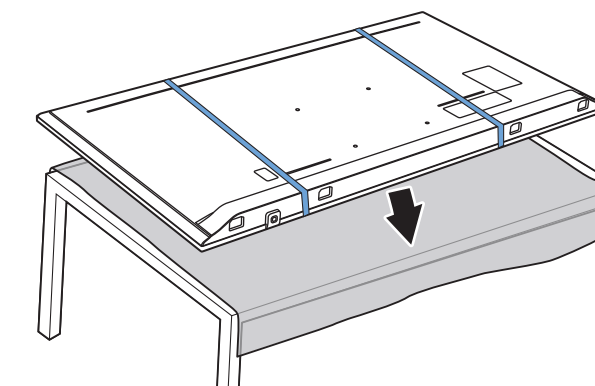
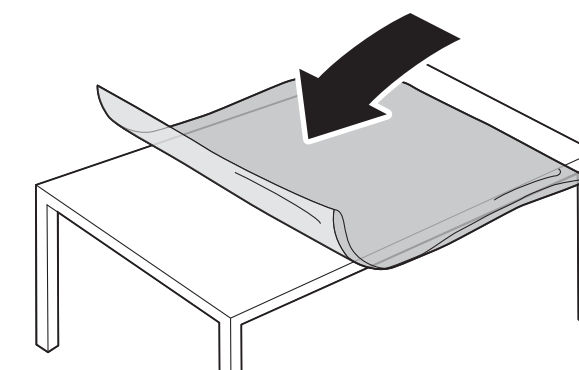


A

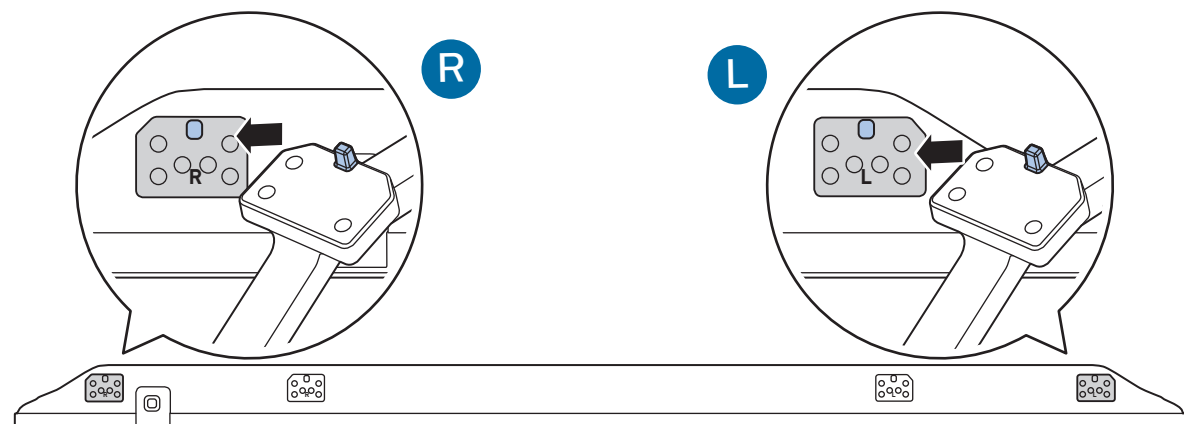
70"
75"



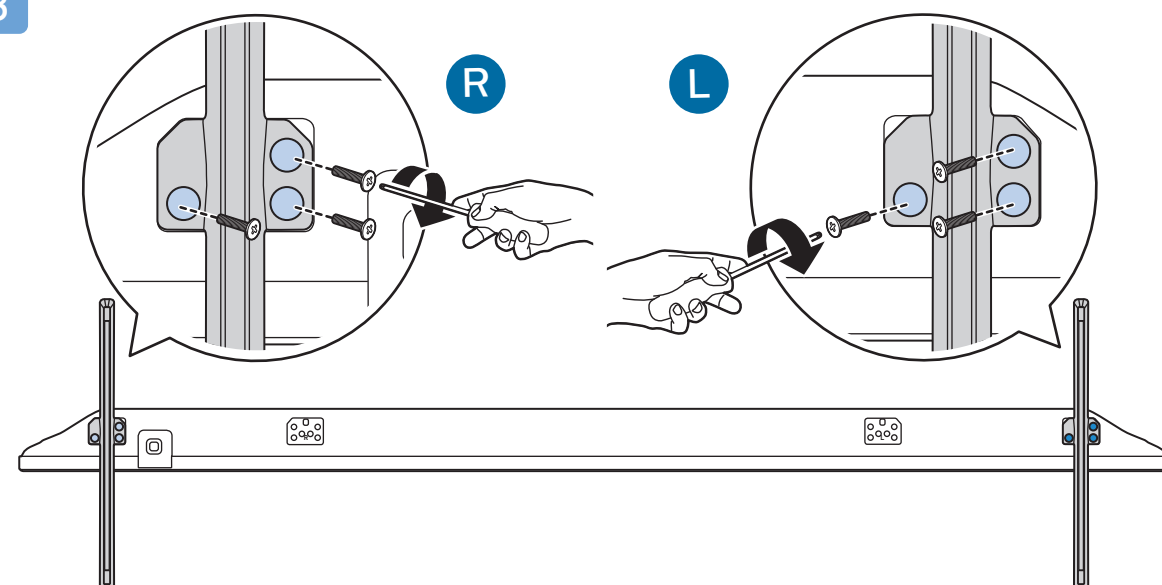
1



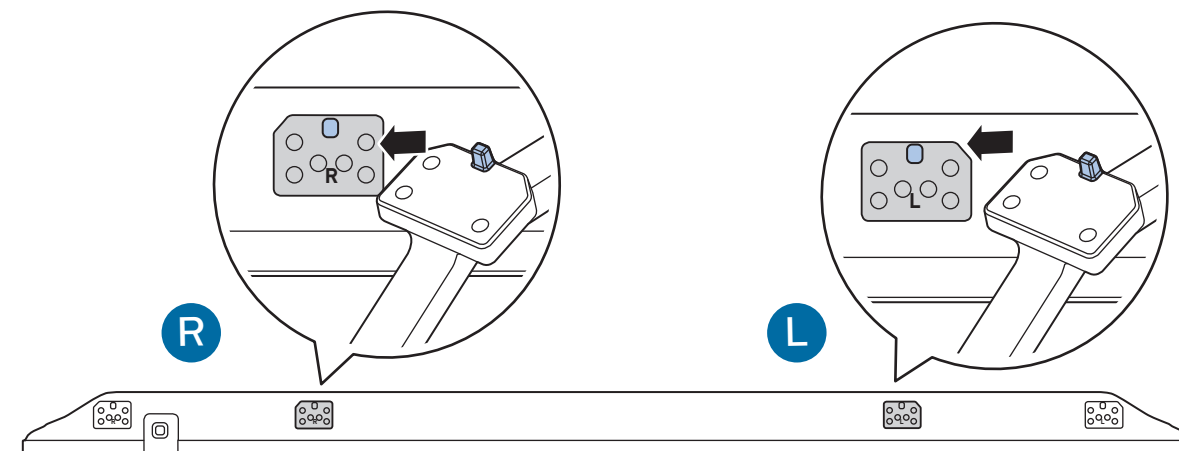
2



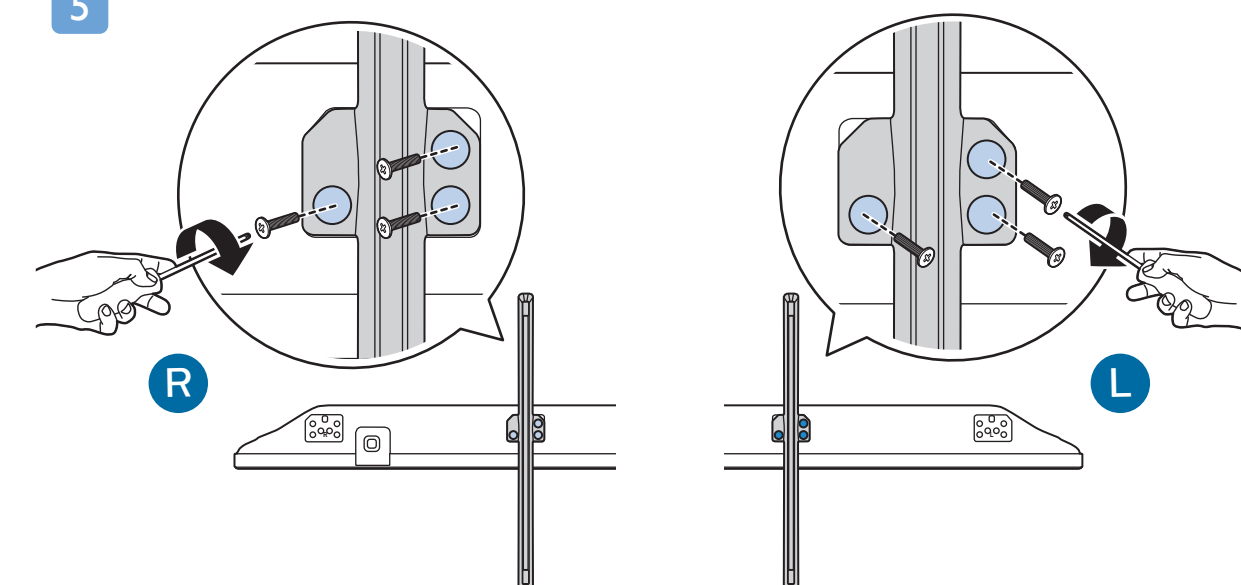
3



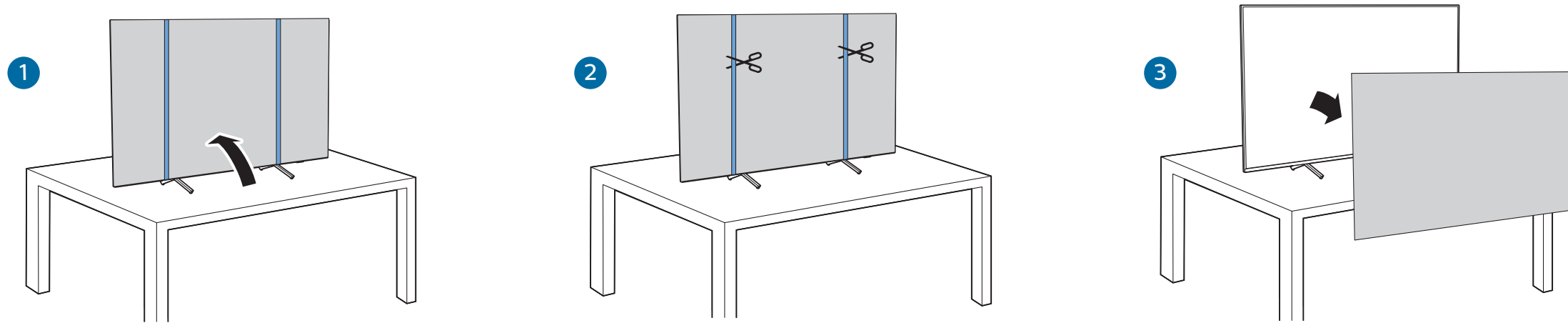
4



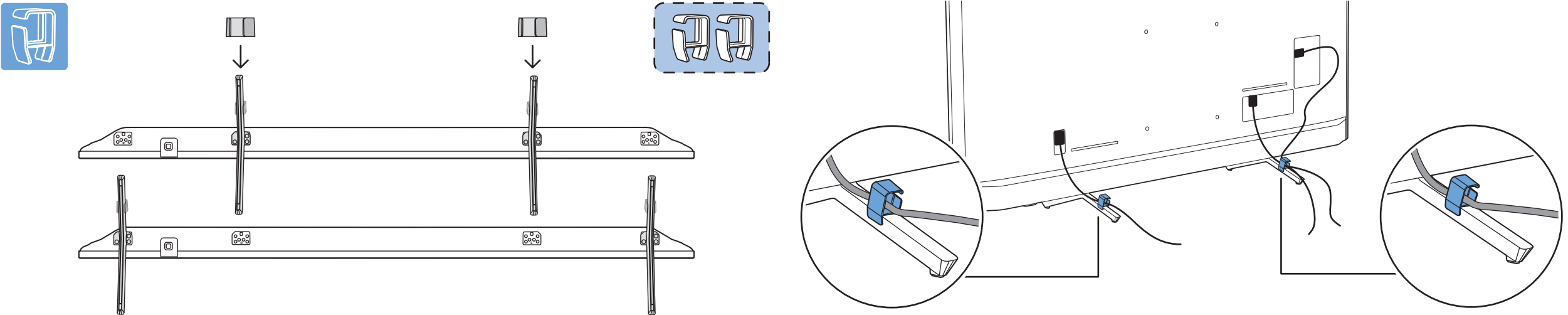
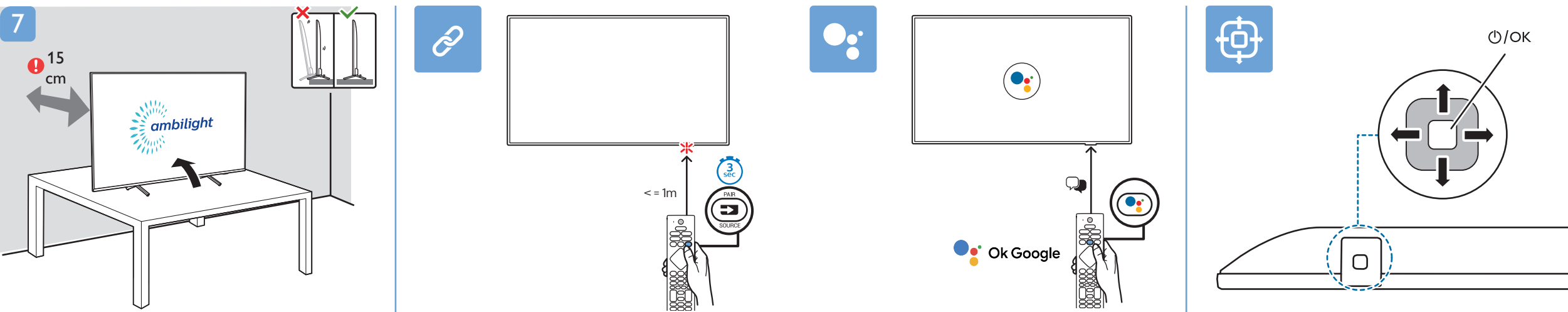
5



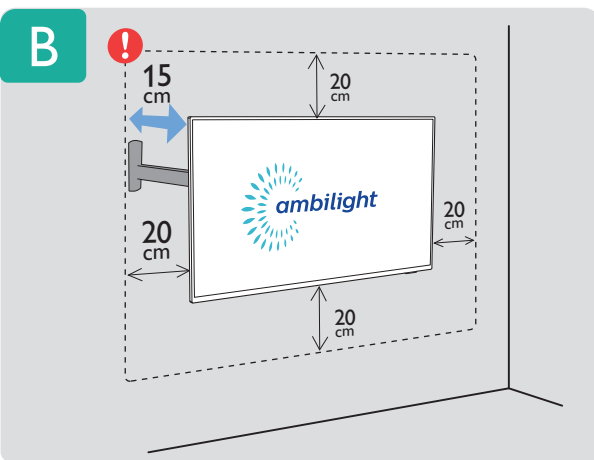
6



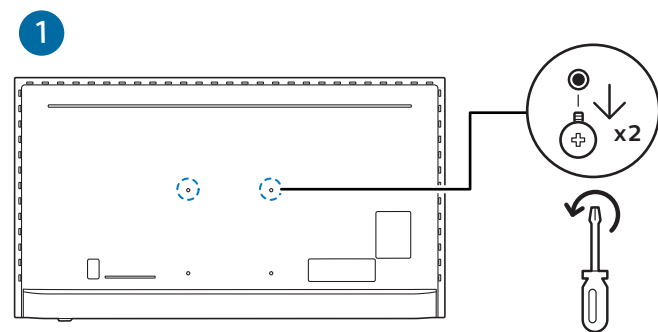
7



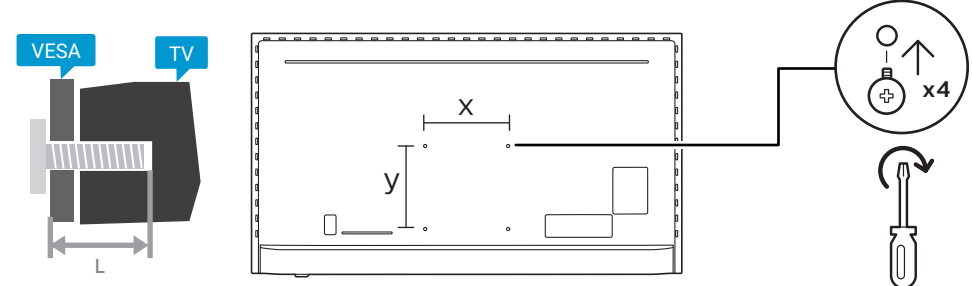
B



VESA (x, y)



2 70" 300x300mm M8 (L: 12mm~25mm) 177 cm
 75" 300x300mm M8 (L: 12mm~25mm) 189 cm



English
Български
Čeština
Hrvatski
Dansk
Deutsch
Ελληνικά
Eesti
Español

Read the safety instructions.
 Прочетете инструкциите за безопасност.
 Přečtěte si bezpečnostní pokyny.
 Pročitajte sigurnosne upute.
 Læs sikkerhedsforskrifterne.
 Lesen Sie die Sicherheitshinweise.
 Διαβάστε τις οδηγίες ασφαλείας.
 Lugege ohutusõudeid.
 Lea las instrucciones de seguridad.

Français
Italiano
Қазақша
Latviešu
Lietuvių
Magyar
Nederlands
Norsk
Polski

Lisez les consignes de sécurité.
 Leggere le istruzioni di sicurezza.
 Қорғаныстық нұсқаулар.
 Izlasiet drošības norādījumus.
 Perskaitykite saugos instrukcijas.
 Olvassa el a biztonsági utasításokat.
 Lees de veiligheidsvoorschriften.
 Les sikkerhetsforskriftene.
 Zapoznaj się z instrukcjami bezpieczeństwa.

Português
Română
Русский
Srpski
Slovenščina
Slovenský
Suomi
Svenska
ภาษาไทย

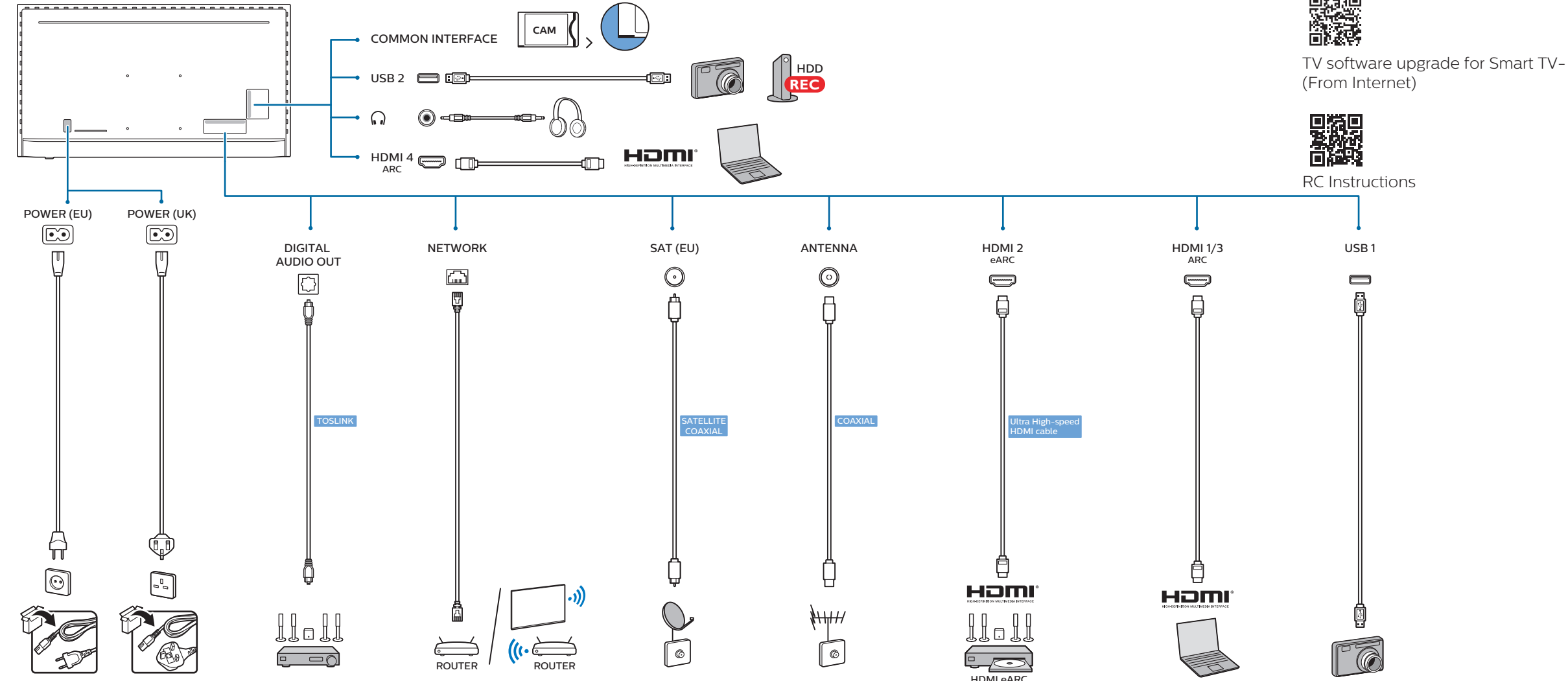
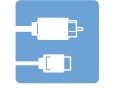
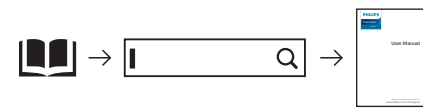
Leia as instruções de segurança.
 Citiți instrucțiunile de siguranță.
 Читайте инструкции по технике безопасности.
 Pročitajte bezbednosna uputstva.
 Preberite varnostna navodila.
 Prečítajte si bezpečnostné pokyny.
 Lue turvaohjeet.
 Läs säkerhetsinstruktionerna.
 โปรดอ่านคำแนะนำด้านความปลอดภัย

Türkçe
Українська

Güvenlik talimatlarını okuyun.
 Читайте інструкції з техніки безпеки.
 قراءة تعليمات السلامة
 קראו את הוראות הבטיחות
 العربية
 עברית



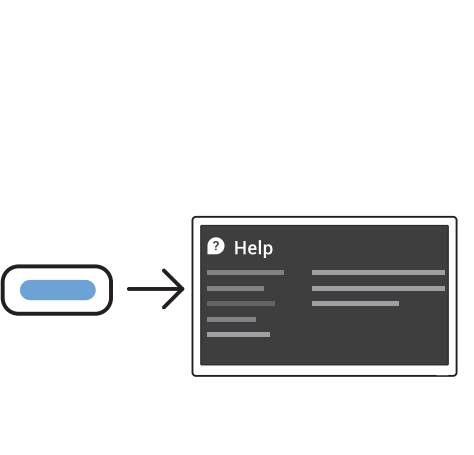
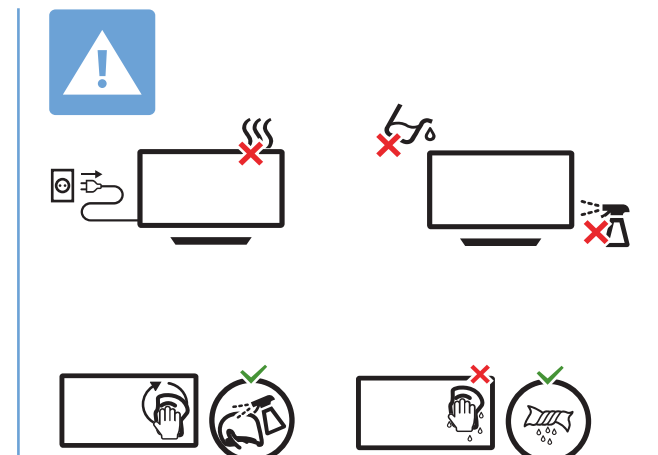
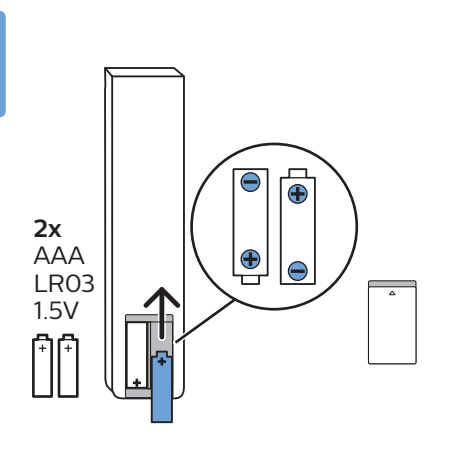
Register your product and get support at www.philips.com/TVsupport



TV software upgrade for Smart TV- (From Internet)



RC Instructions



All registered and unregistered trademarks are property of their respective owners. Specifications are subject to change without notice. Philips and the Philips shield emblem are trademarks of Koninklijke Philips N.V. and are used under license from Koninklijke Philips N.V. This product has been manufactured by and is sold under the responsibility of TP Vision Europe B.V. and TP Vision Europe B.V. is the warrantor in relation to this product. 2021© TP Vision Europe B.V. All rights reserved. www.philips.com/welcome