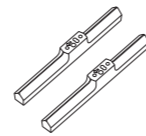
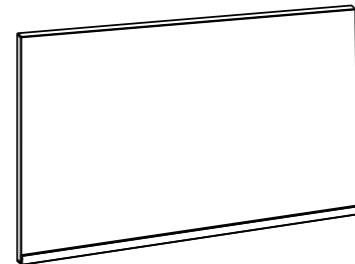


# PHILIPS

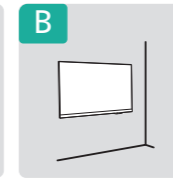
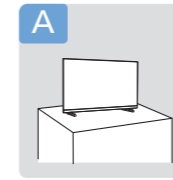
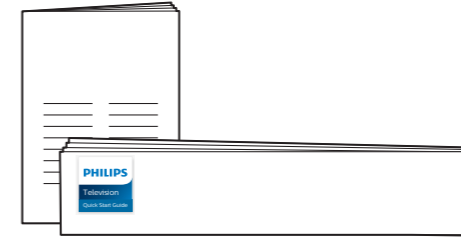
## Television

### Quick Start Guide

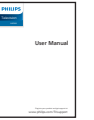
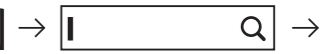
32PHD5678  
43PFD5678



x4

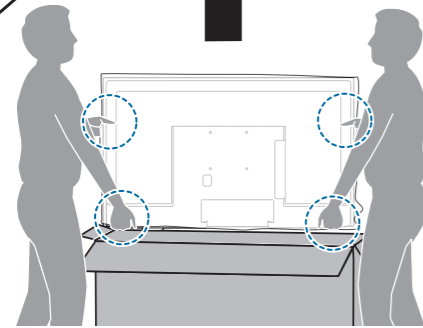
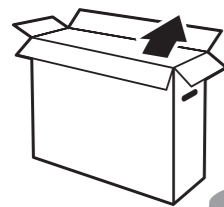
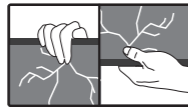


Register to find out more and get support  
[www.philips.com/TVsupport](http://www.philips.com/TVsupport)

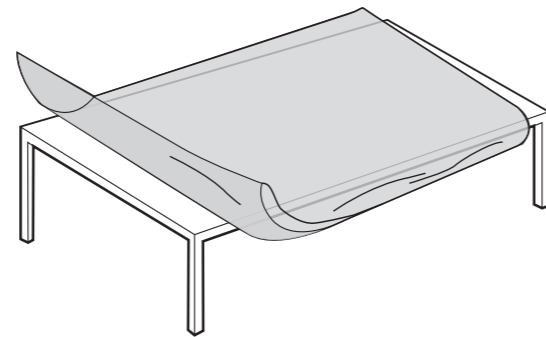


A

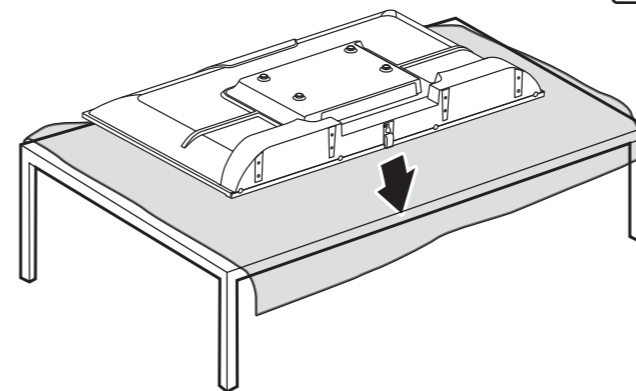
32"/43"



1



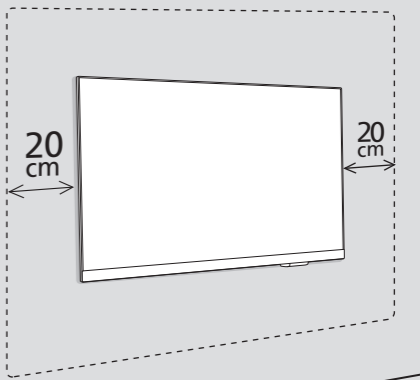
2



B

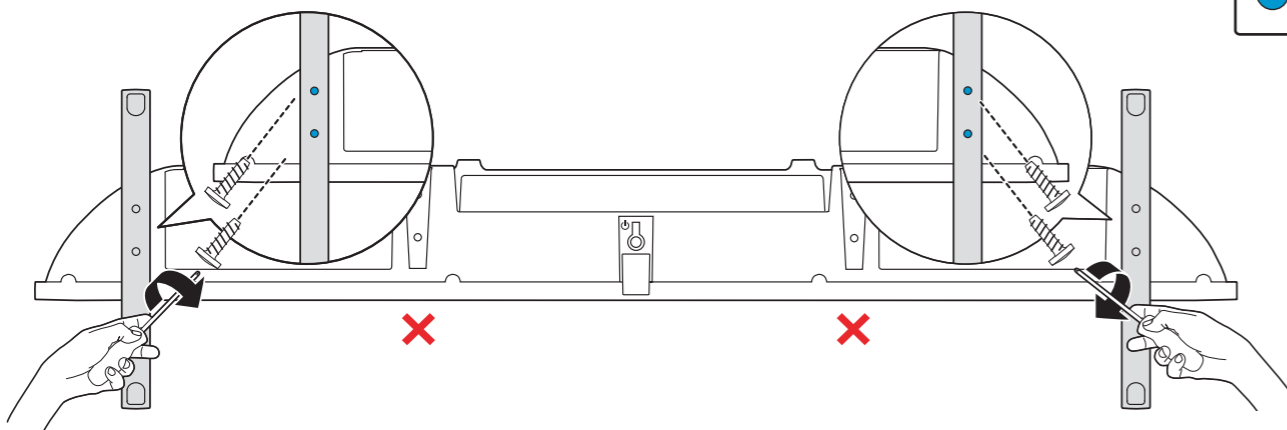
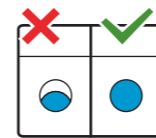


20 cm

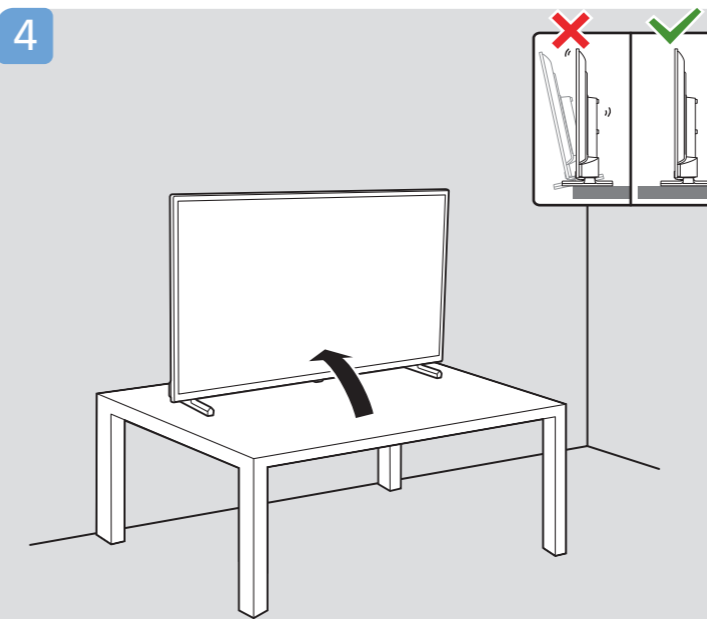
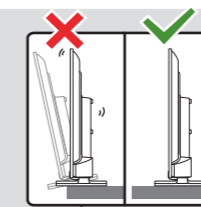


20 cm

3



4



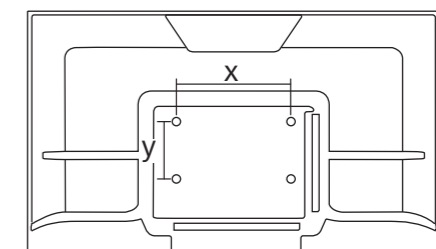
VESA (x, y)

32" 200x100mm M6 (L: 8mm~10mm)

80 cm

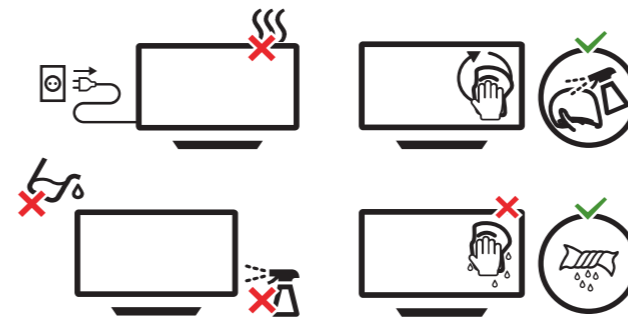
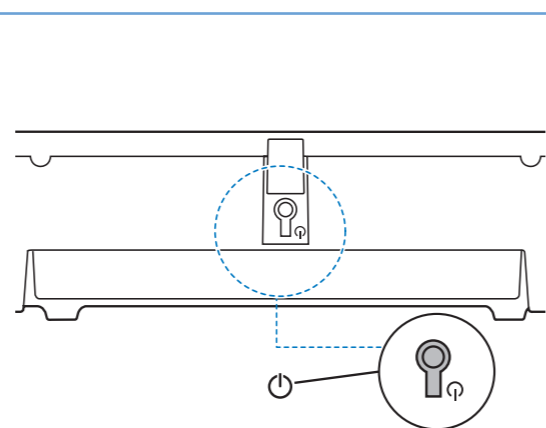
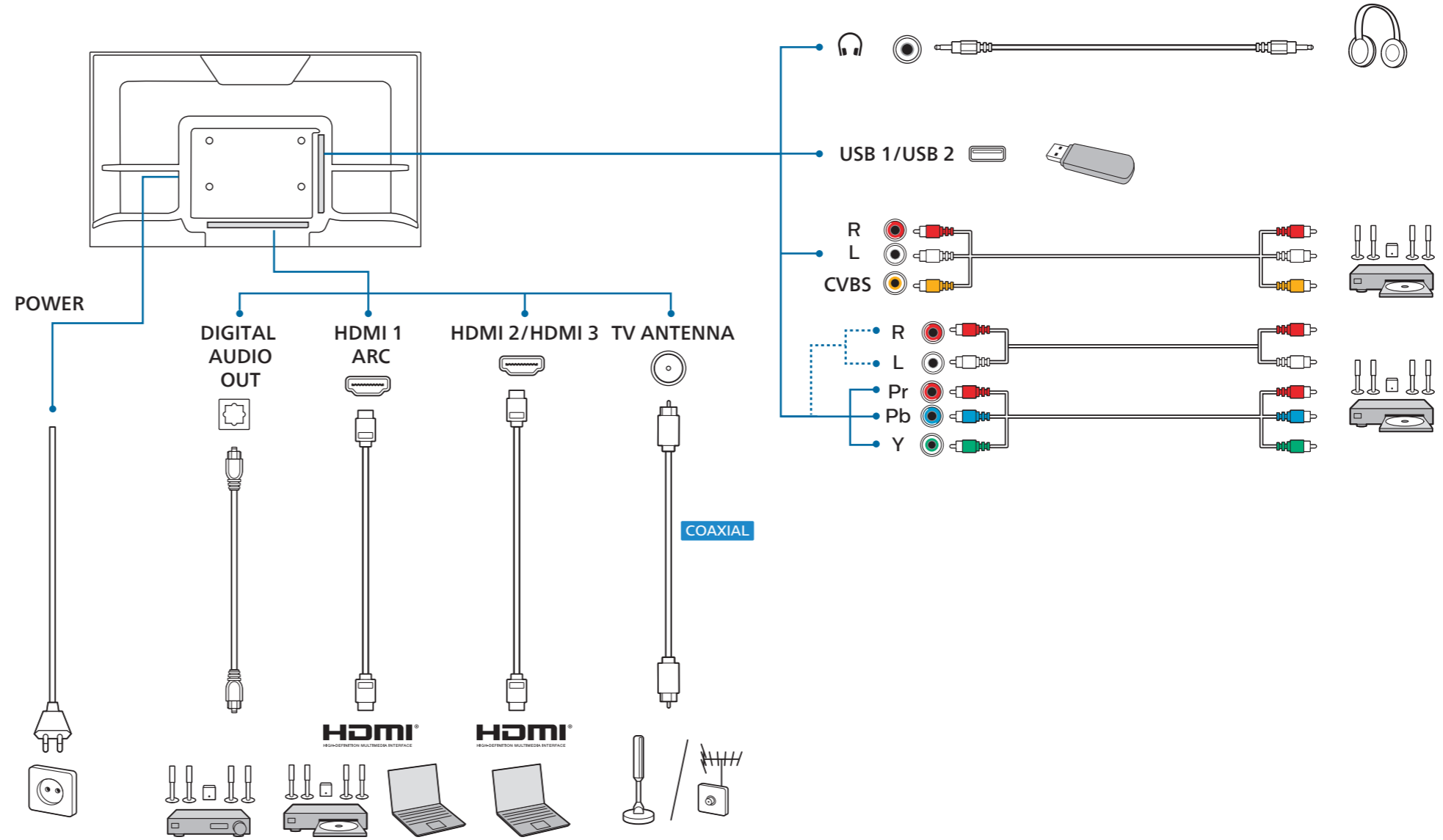
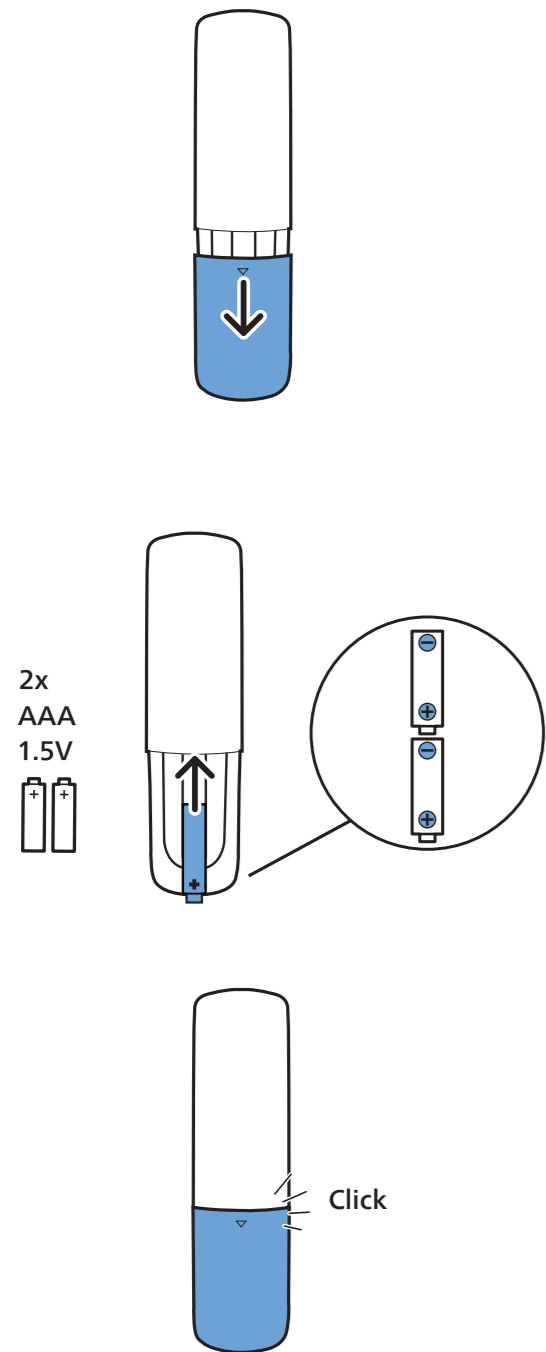
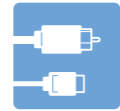
43" 200x200mm M6 (L: 8mm~10mm)

108 cm





English Read the safety instructions.



All registered and unregistered trademarks are property of their respective owners. Specifications are subject to change without notice. Philips and the Philips' shield emblem are trademarks of Koninklijke Philips N.V. and are used under license from Koninklijke Philips N.V. This product has been manufactured by and is sold under the responsibility of TP Vision Europe B.V., and TP Vision Europe B.V. is the warrantor in relation to this product. 2023 © TP Vision Europe B.V. All rights reserved. [www.philips.com/welcome](http://www.philips.com/welcome)