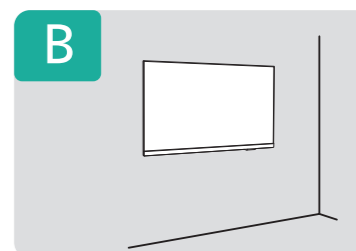
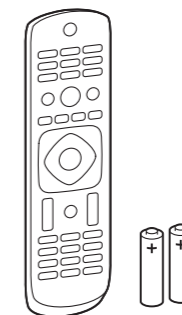
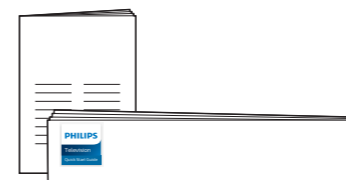
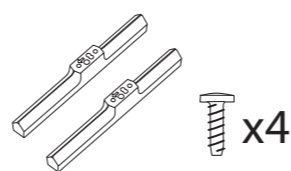
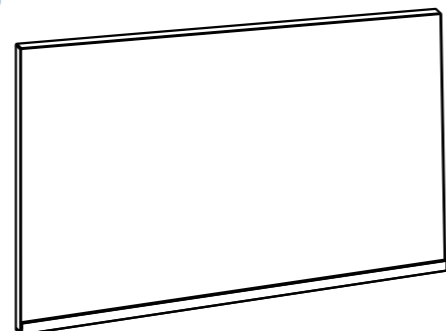


PHILIPS

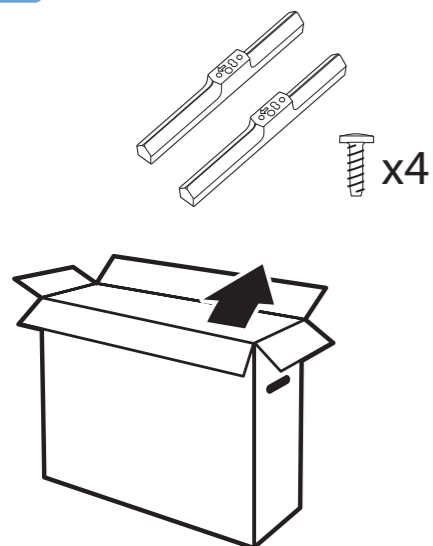
Television

Quick Start Guide

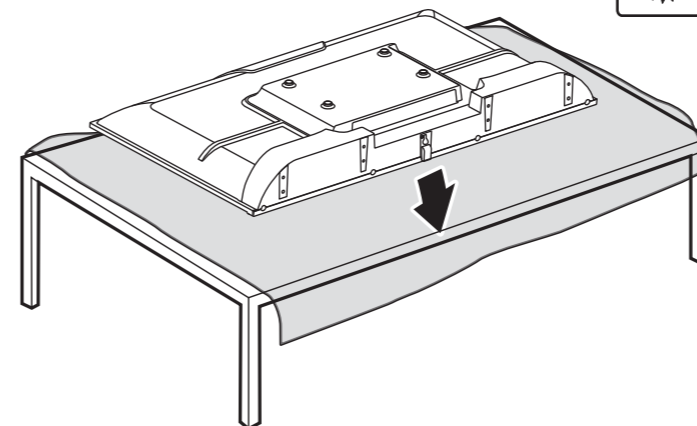
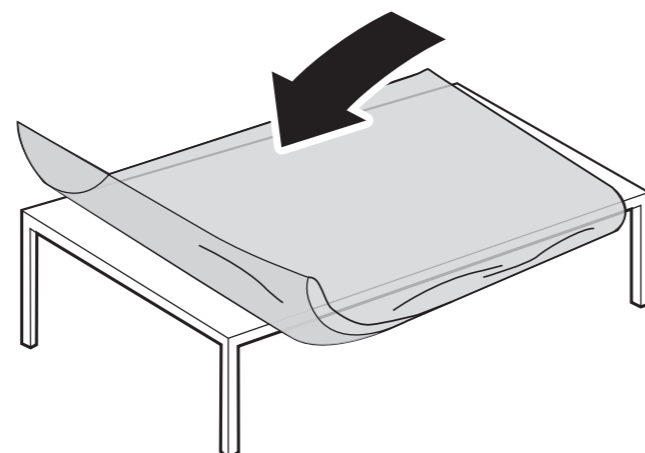
5567 series



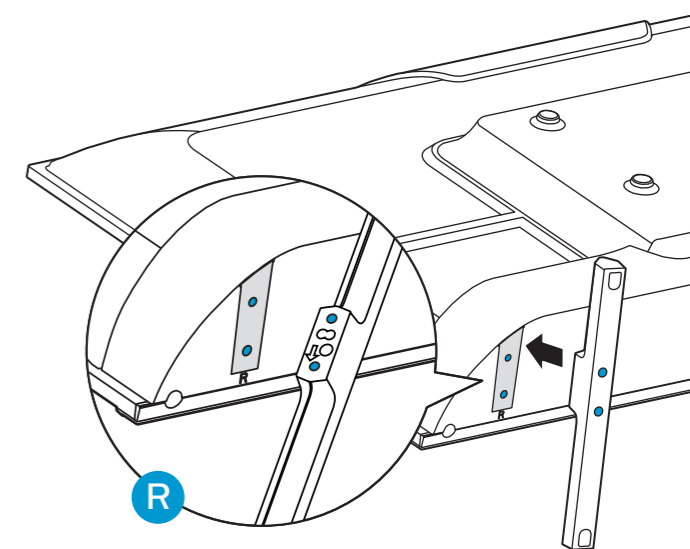
A



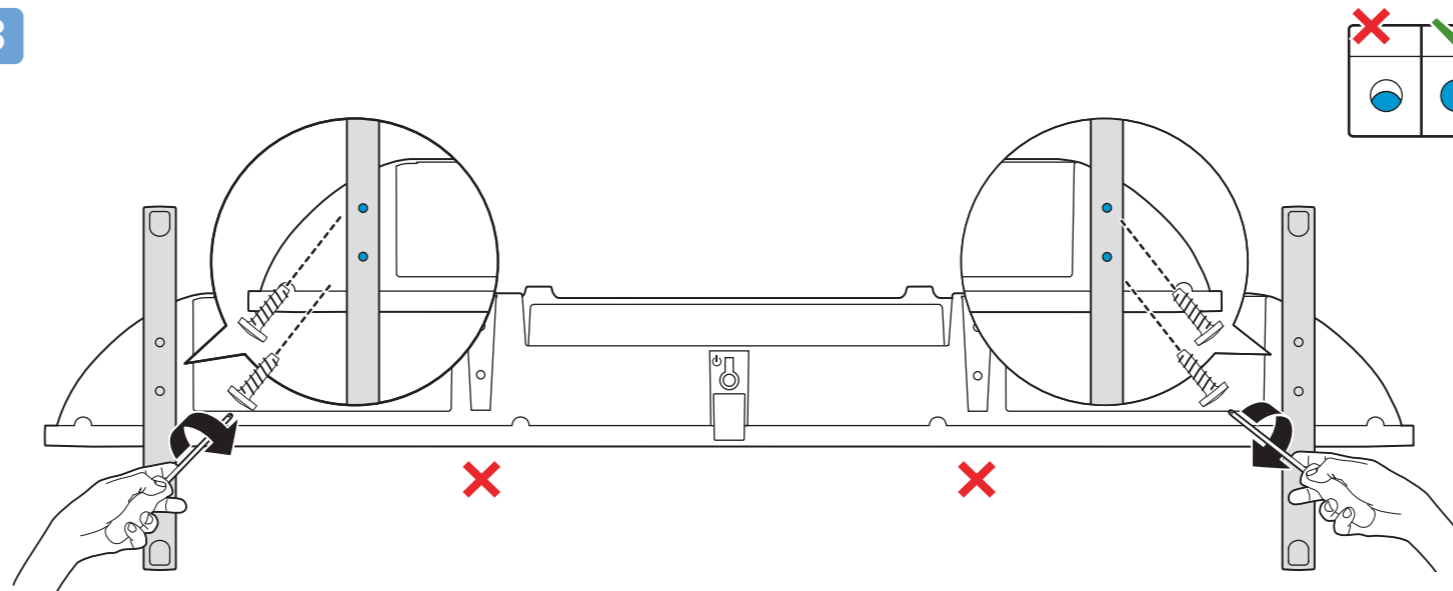
1



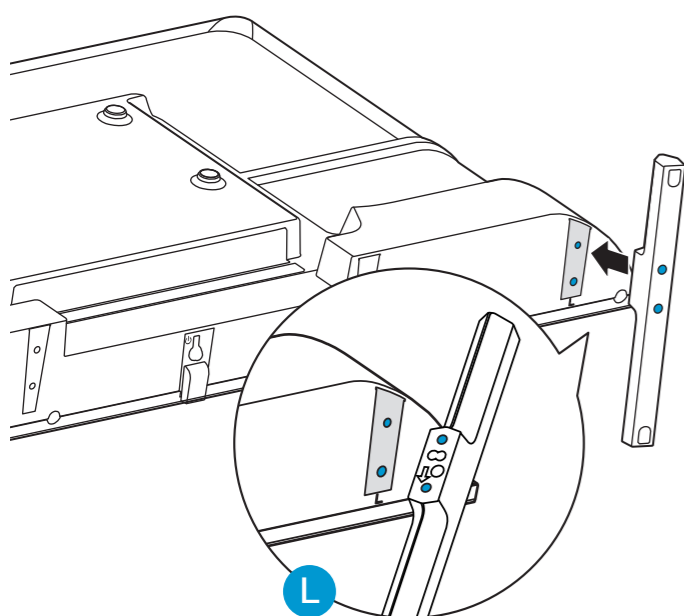
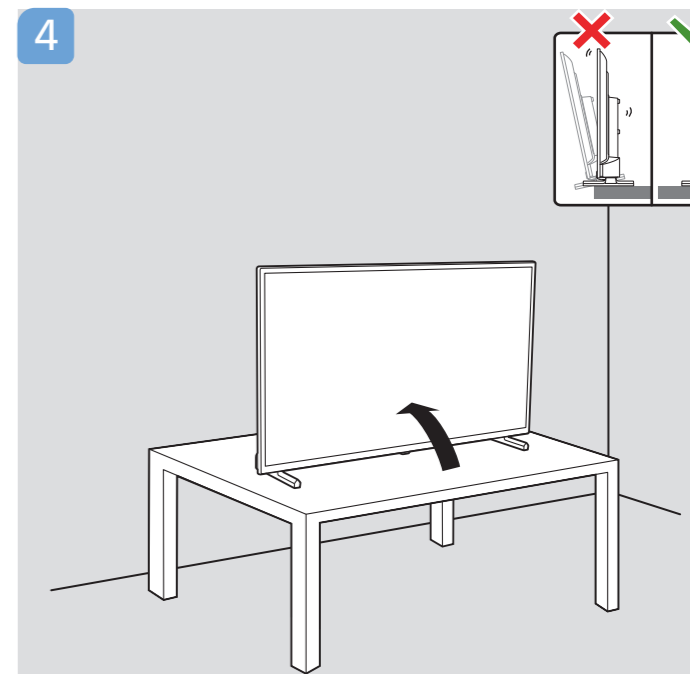
2



3



4





English Read the safety instructions.

Bahasa Malaysia Baca arahan Keselamatan.

Bahasa Indonesia Baca petunjuk keselamatan.

Deutsch Lesen Sie die Sicherheitshinweise.

Français Lisez les consignes de sécurité.

Português Leia as instruções de segurança.

ภาษาไทย โปรดอ่านคำแนะนำด้านความปลอดภัย

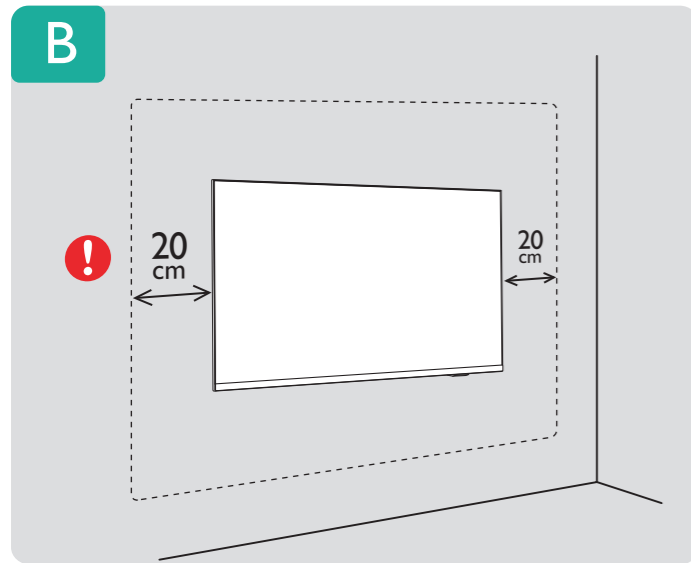
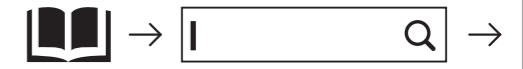
Tiếng Việt Hãy đọc chỉ dẫn an toàn.

简体中文 请阅读安全说明。

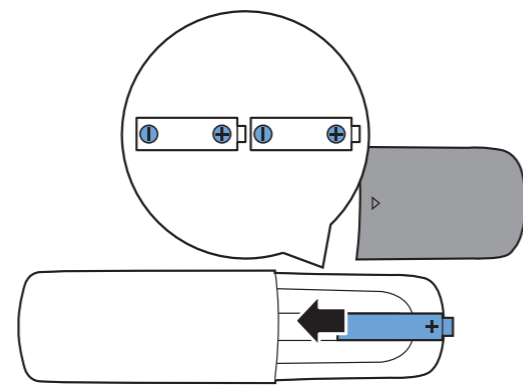
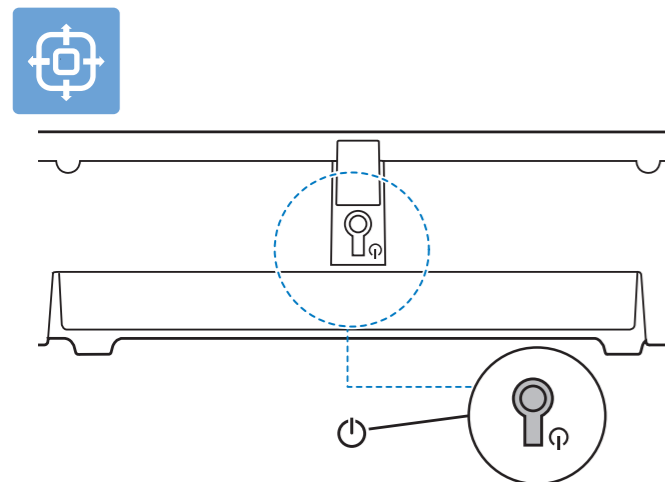
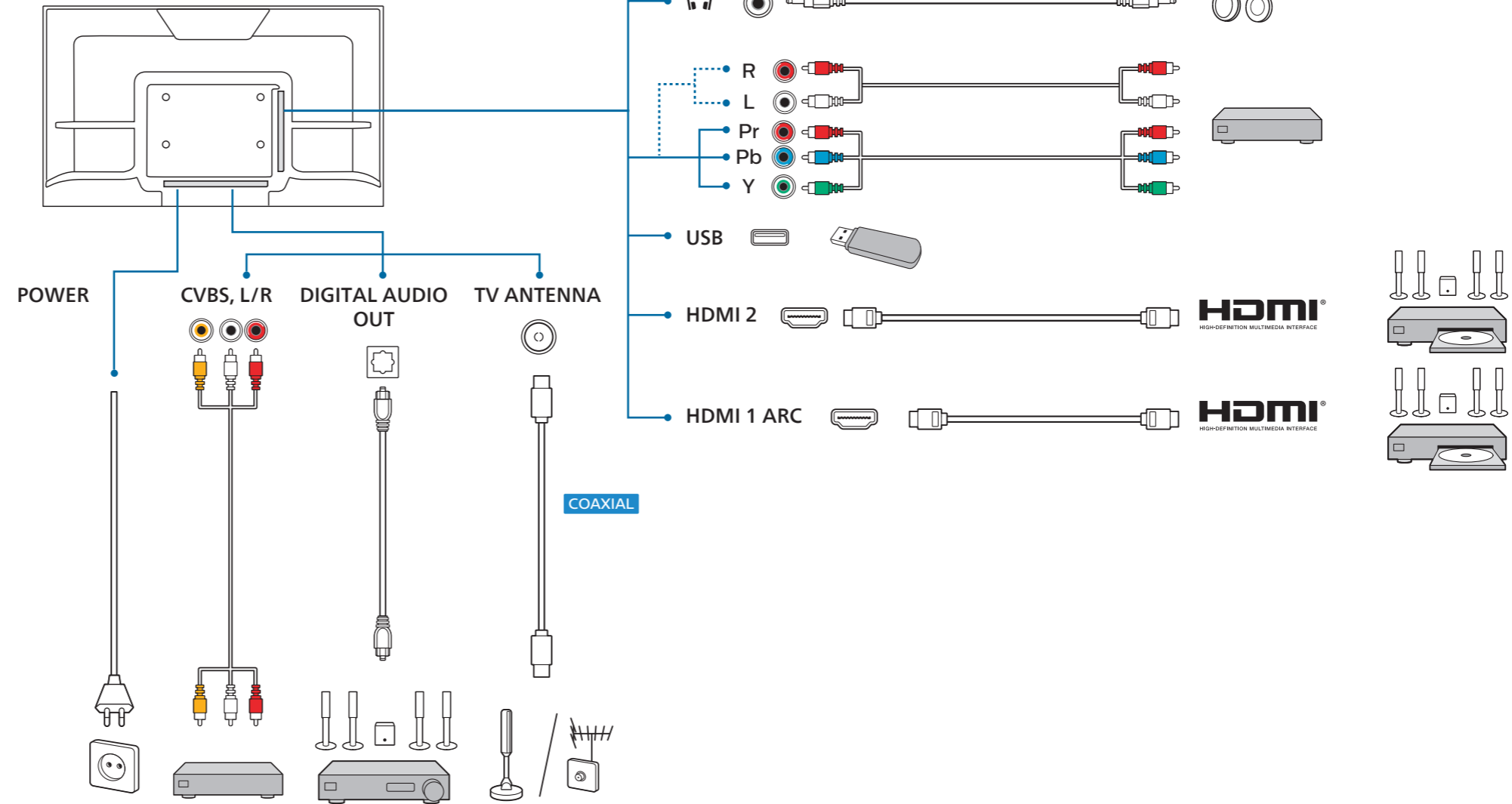
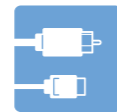
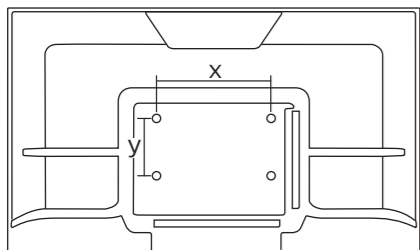
العربية قراءة تعليمات السلامة.



Register your product and get support at www.philips.com/TVsupport



VESA (x, y)
32" 200x100mm M6 80 cm



All registered and unregistered trademarks are property of their respective owners. Specifications are subject to change without notice. Philips and the Philips' shield emblem are trademarks of Koninklijke Philips N.V. and are used under license from Koninklijke Philips N.V. This product has been manufactured by and is sold under the responsibility of TP Vision Europe B.V., and TP Vision Europe B.V. is the warrantor in relation to this product. 2022 © TP Vision Europe B.V. All rights reserved. www.philips.com/welcome