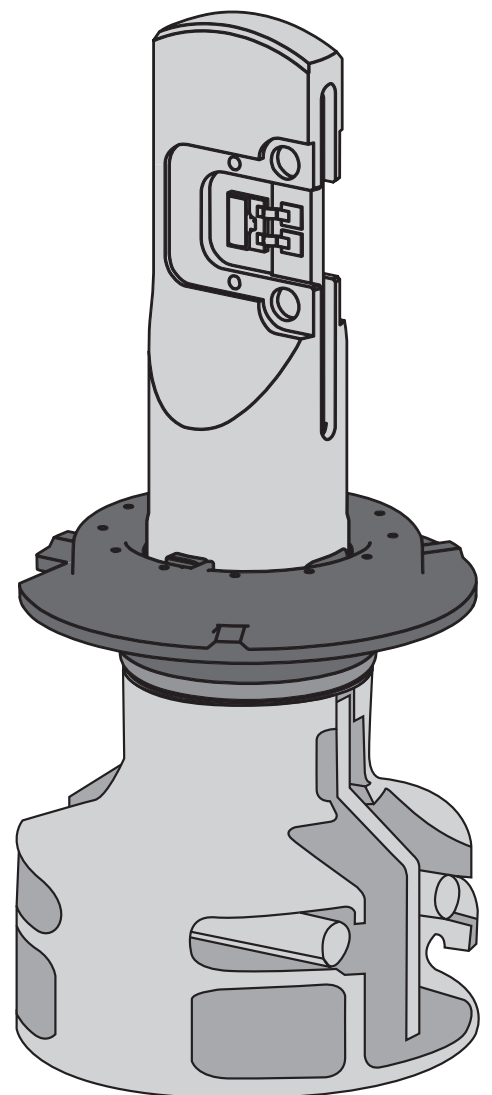
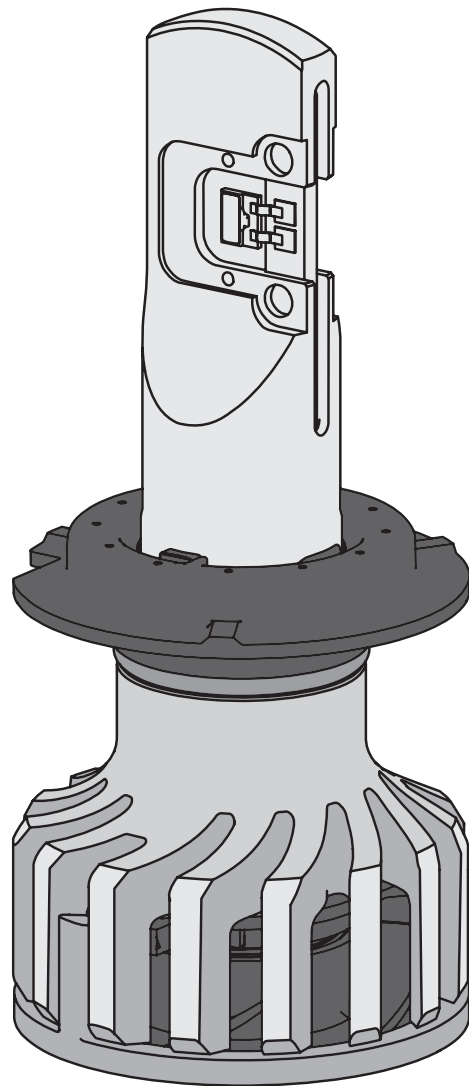


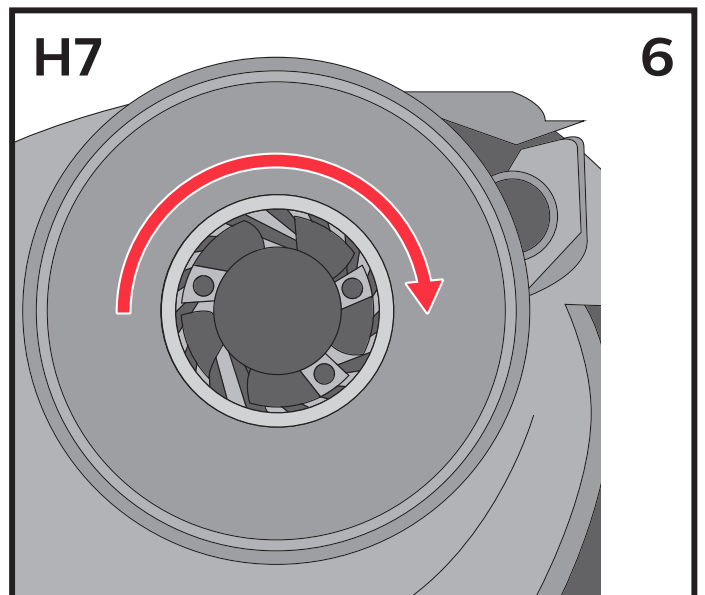
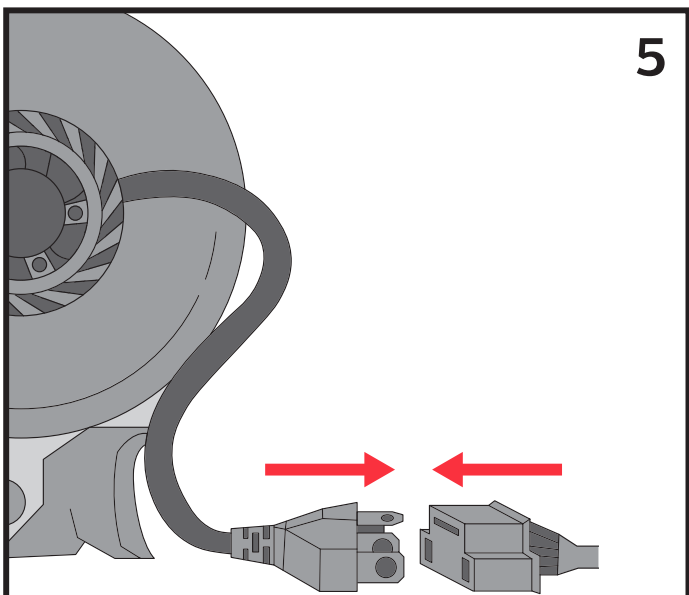
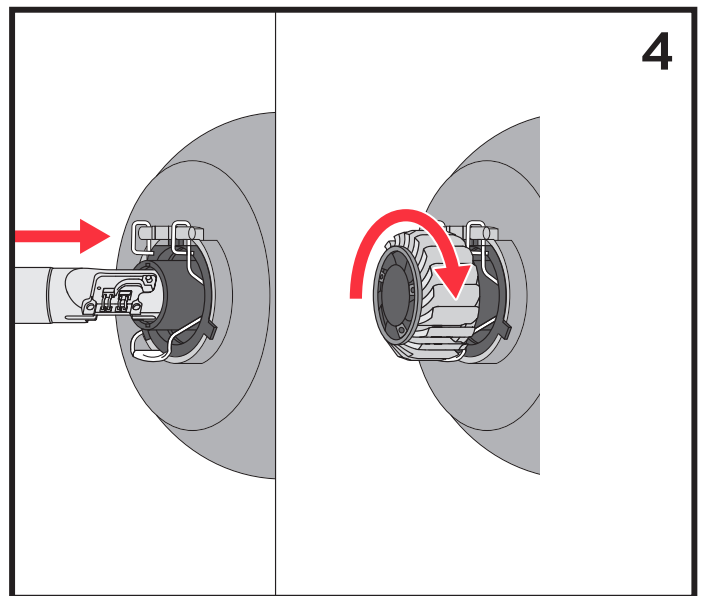
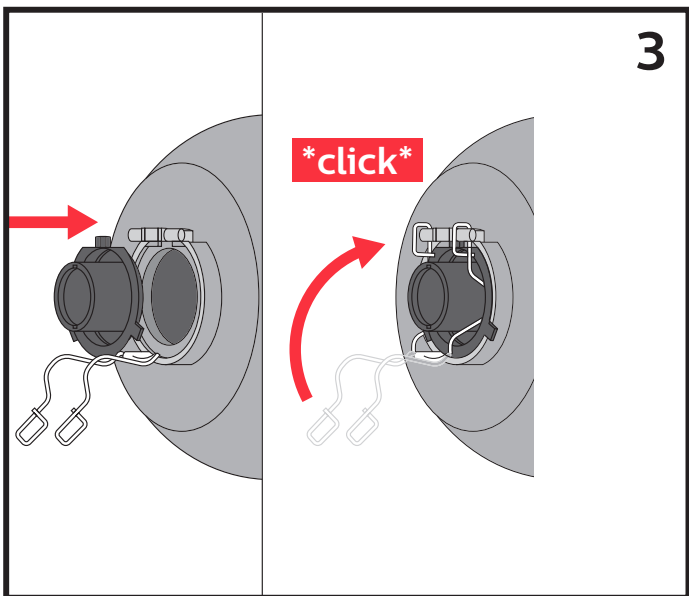
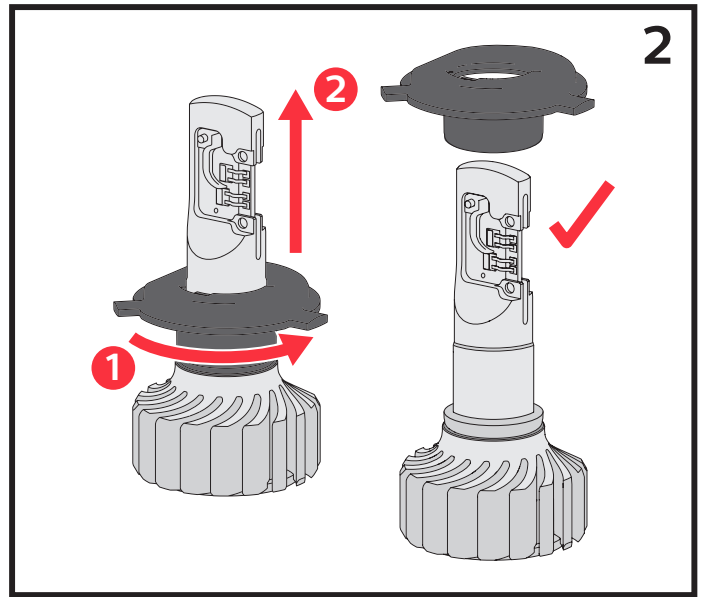
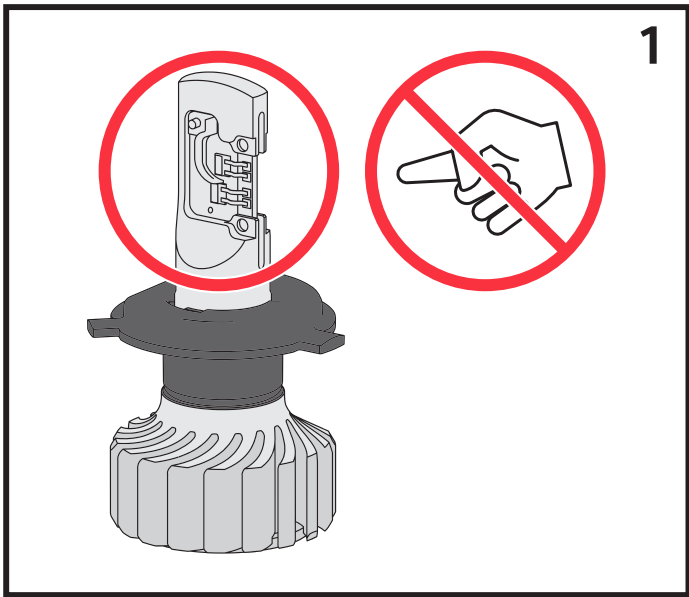
PHILIPS

Ultinon Pro

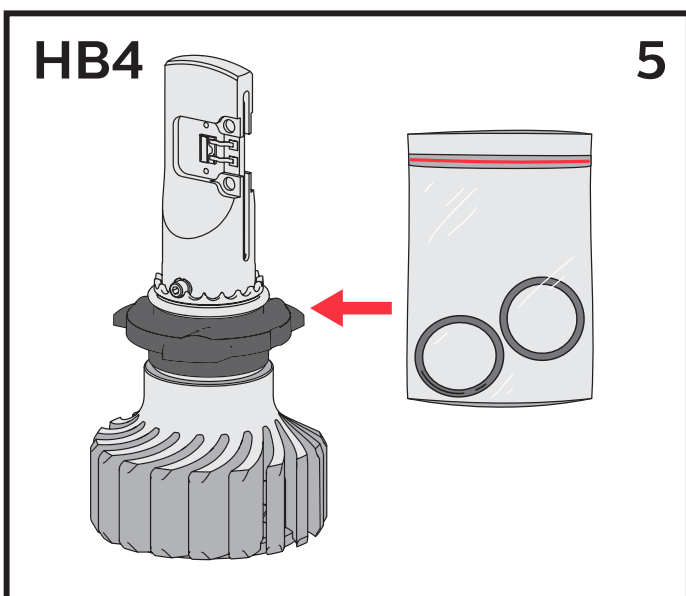
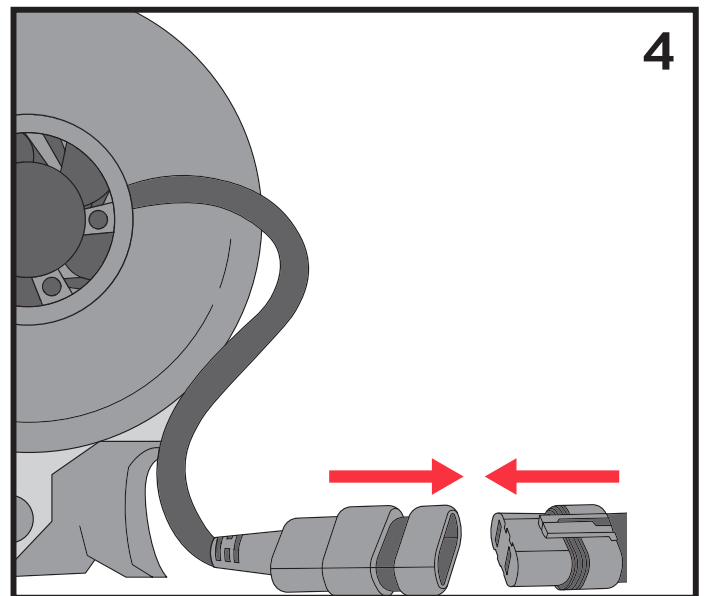
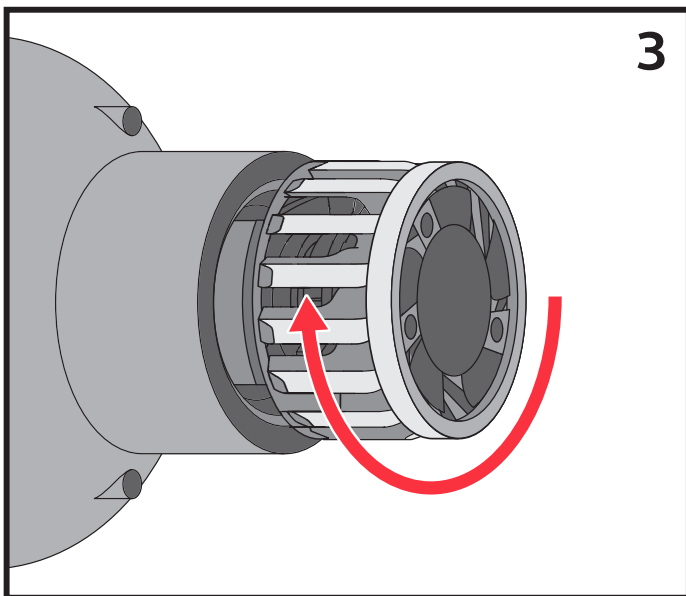
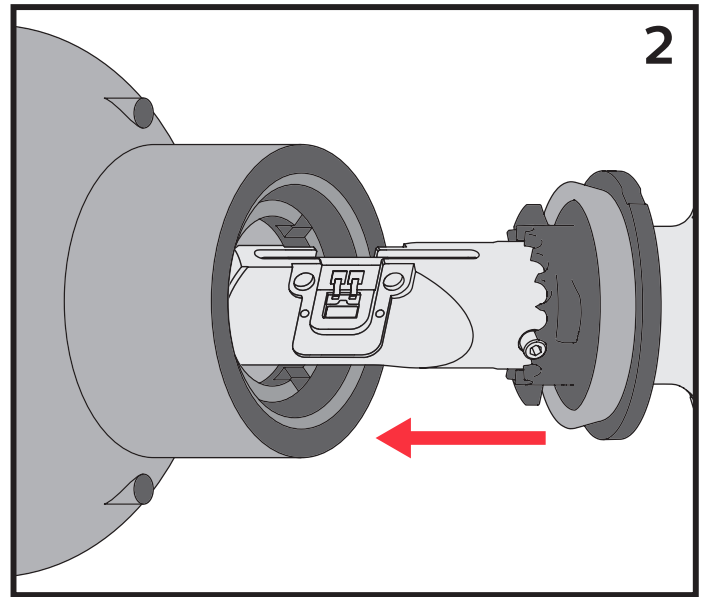
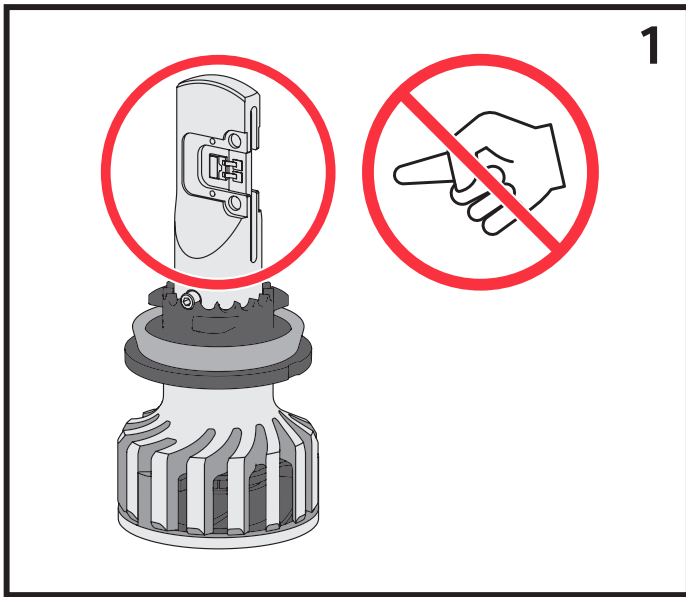
LED-HL



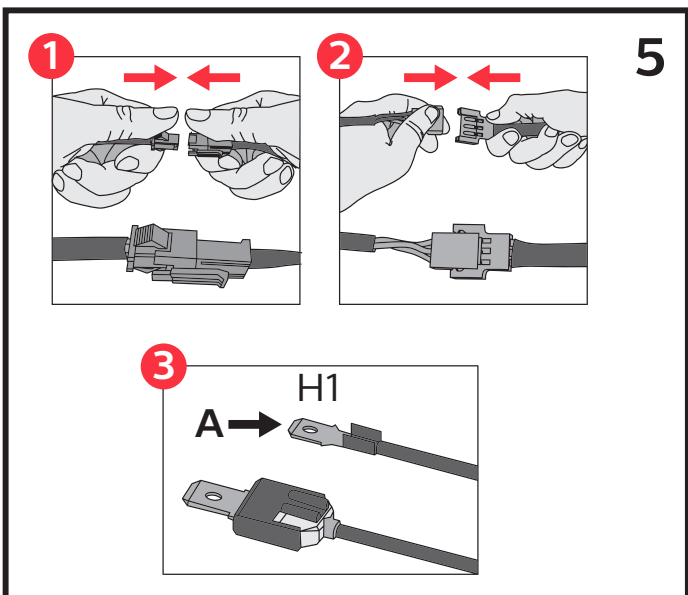
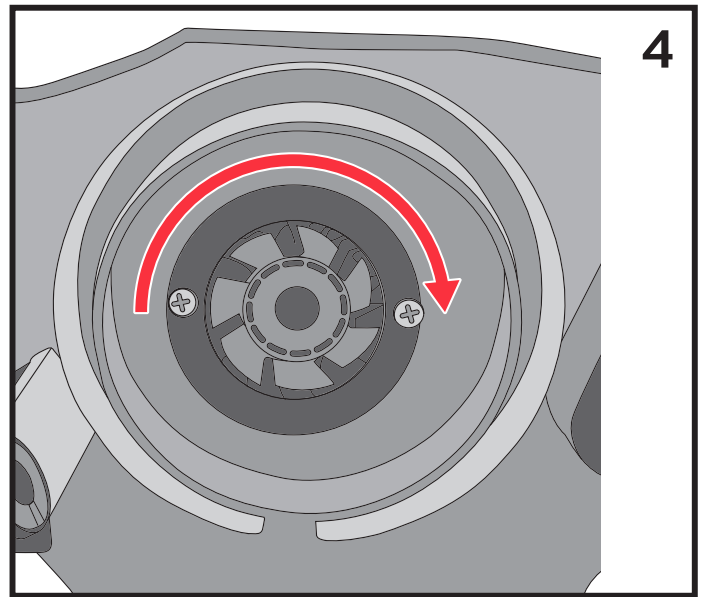
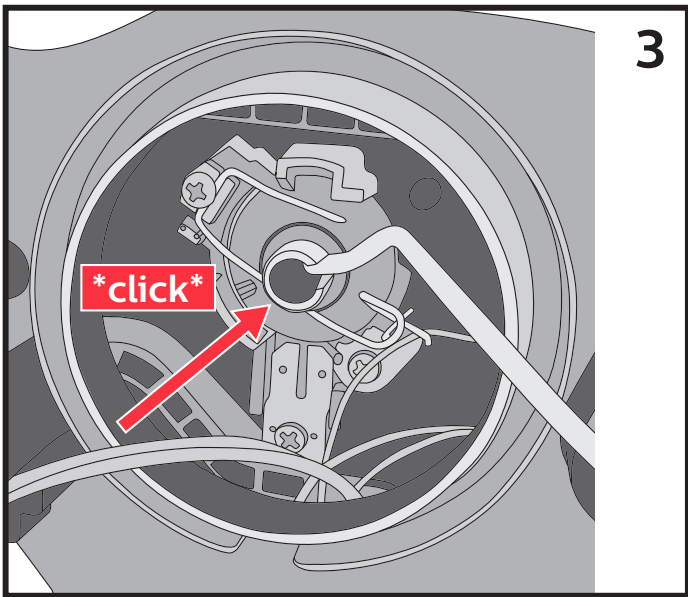
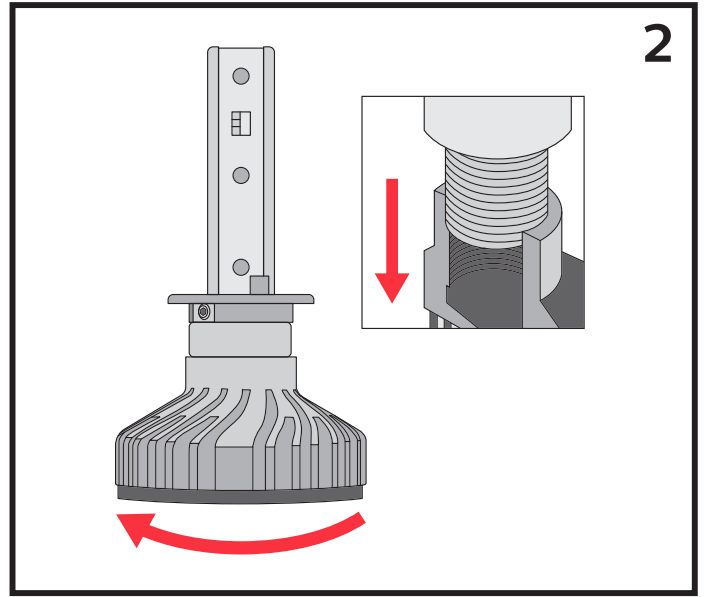
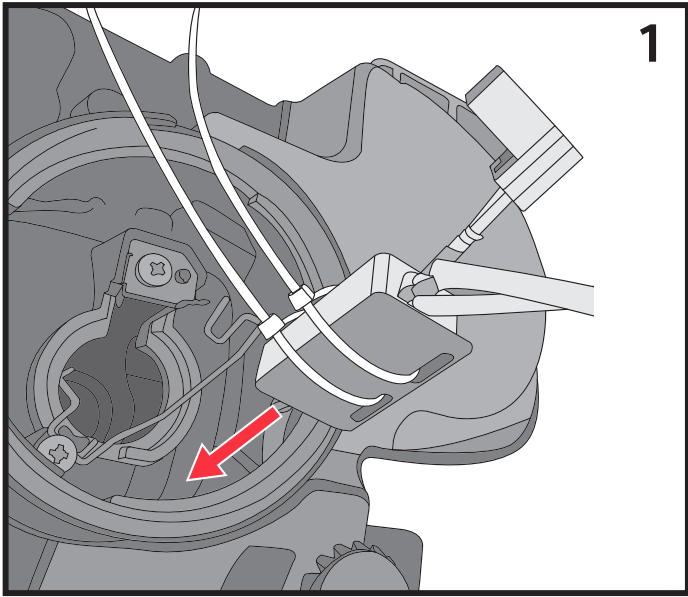
H4, H7



FOG, H11, HIR2, HB3, HB4



H1, H3





Lumileds is the warrantor of this product.
Philips and the Philips Shield Emblem are registered trademarks
of Koninklijke Philips N.V. and are used under license.
© 2022 Lumileds Holding B.V. All rights reserved.

3206 601 99701