

Range overview

Discover our LED Professional lamps:



And also our MatchLine LED Color Check lamps:



MDLS CRI MatchLine



PJH20

Register your product and get support at
www.philips.com/support

Philips LED PEN20



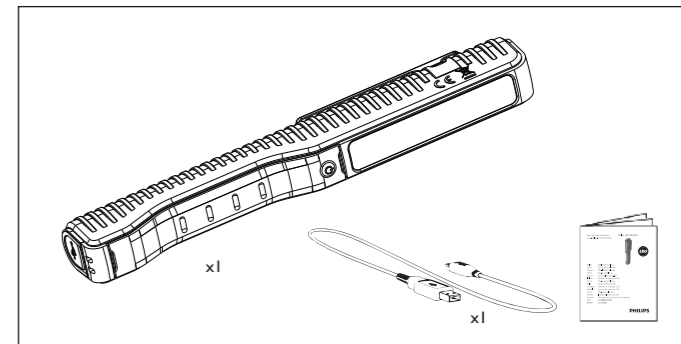
English	LED Inspection lamp
Dansk	LED inspektionslampe
Deutsch	LED-Inspektionslampe
Dutch	LED-inspectielamp
Français	Lampe baladeuse à LED
Italiano	Lampada di ispezione a LED
Norsk	LED-inspeksjonslampe
Polski	Lampa inspekcyjna LED
Português	Lâmpada de inspeção LED
Español	Lámpara de inspección LED
Suomi	LED-tarkastuslamppu
Svenska	Inspektionslampe med LED
Русский	Светодиодный инспекционный фонарь
中文	LED便携式工具灯
한국어	LED작업등



www.philips.com/automotive

The Manufacturer and Importer:
Lumileds Germany GmbH,
Philipsstrasse 8,52068,Aachen,Germany

Register your product and get support at
www.philips.com/support

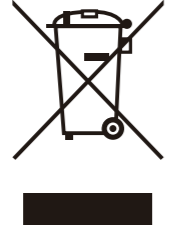
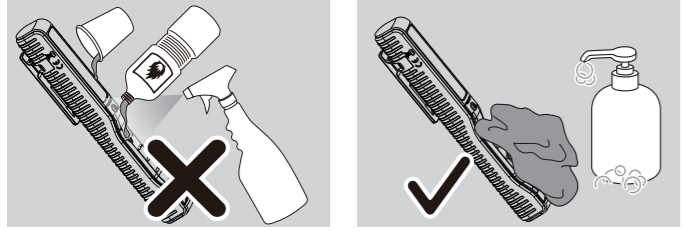
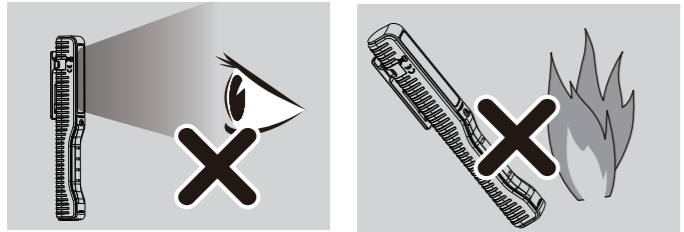


The Philips trademarks are used under license from Koninklijke Philips N.V.(2016)
© Lumileds Holding B.V 2016. All rights reserved
www.philips.com/automotive

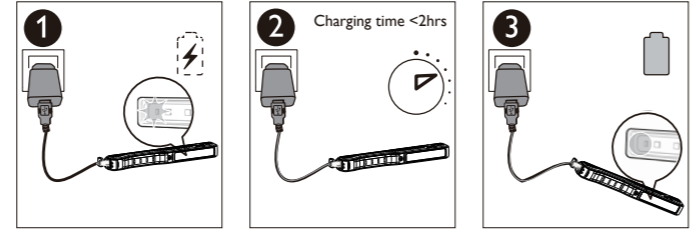
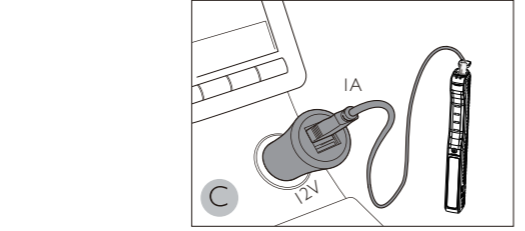
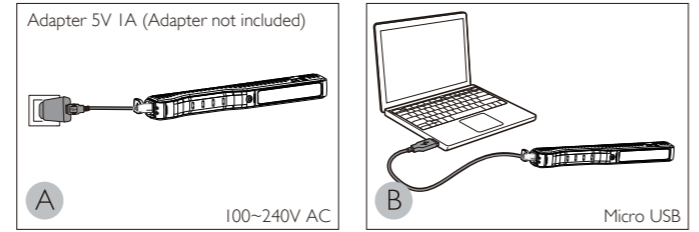
3211 0082 1571

PHILIPS

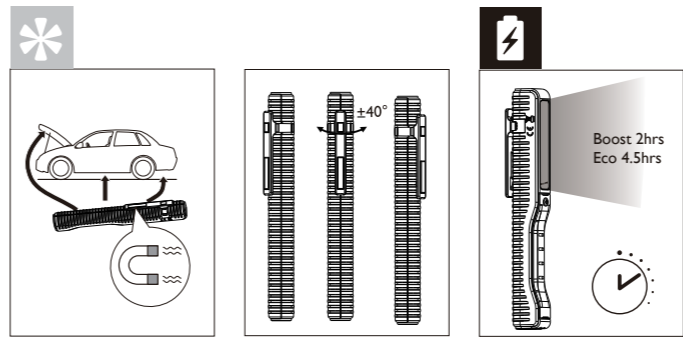
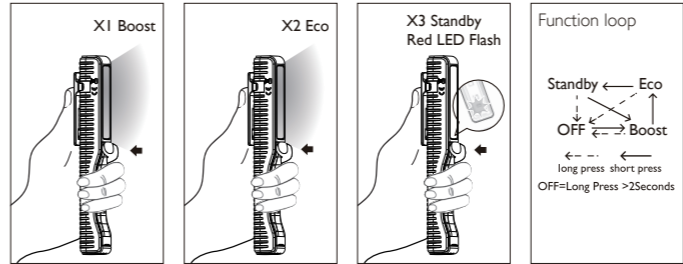
3



4



5



6

Description		
	Operating line voltage	100-240V/Output 5V/1A
	Charging time @25°C 60RH	<2hrs <small>*Charge at a very low temperature such as blew 0°C, will be get a lower capacity and reduce cycle life of the battery.</small>
	Light output (Lumens) @25°C 60RH (Up to)	Boost 200lm Eco 100lm
	Battery performance @25°C 60RH (Up to)	Boost 2hrs Eco 4.5hrs
	Standby	Red LED flash 10Days(Full Charged) OFF= Long press >2s
	Lamp module	80°Rotating
	Impact protection rating	IK07
	Ingress protection rating	IP54
	Operating temperature	-10°C to 50°C / -14°F to 122°F (US)
	Adaptor operating temperature	0°C to 40°C / 32°F to 104°F (US)
	Storage temperature	-20°C to 60°C / -4°F to 140°F (US)
	Magnet	Yes
	Connection	Micro USB Charging cable