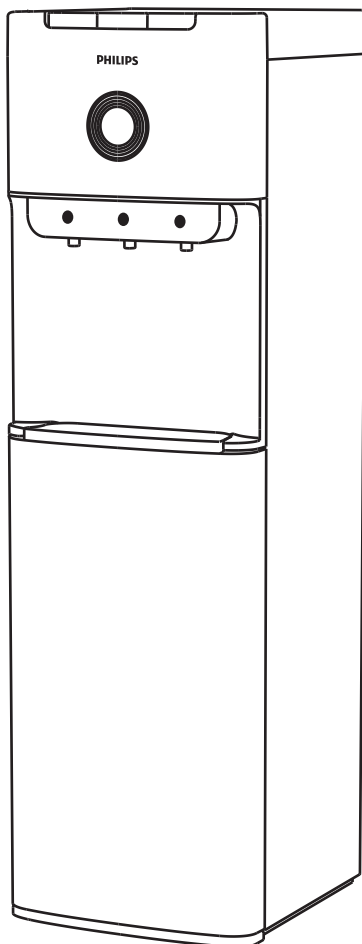


PHILIPS

Dispenser

ADD4966
ADD4969



User Manual 1-9

Petunjuk Penggunaan 10-18

Content

1 Main technical specification 1

2 Product overview 2

3 Indicator panel and switch 3

4 Instruction 4

·Filter 5

·UV-LED light 5

5 Precautions 6

6 Cleaning and maintenance 7

7 Trouble shooting 8

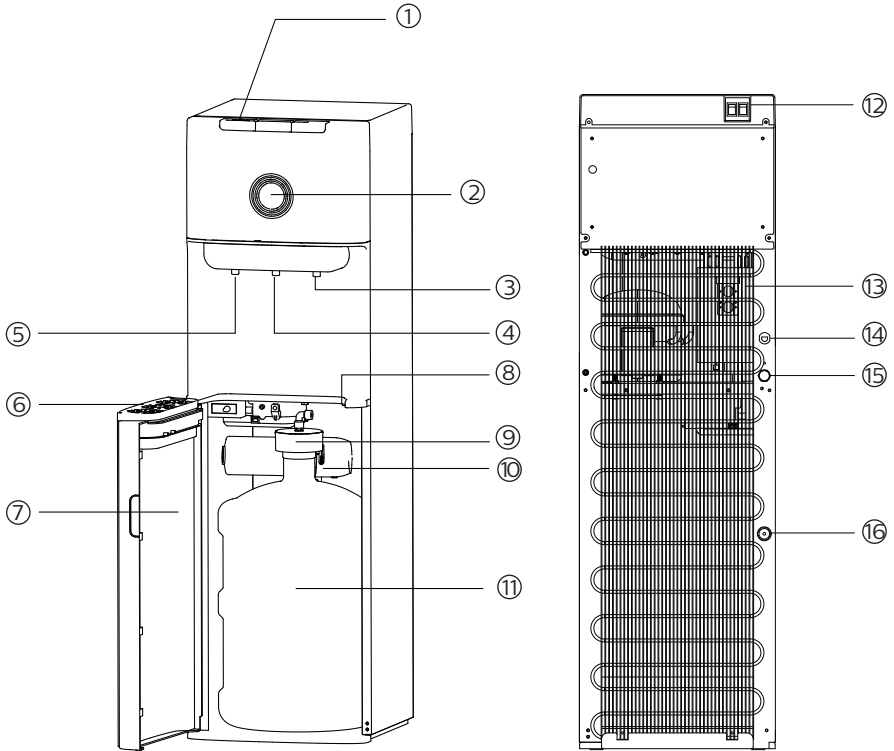
8 Guarantee and Service 9

9 Packing list 9

1 Main technical specification

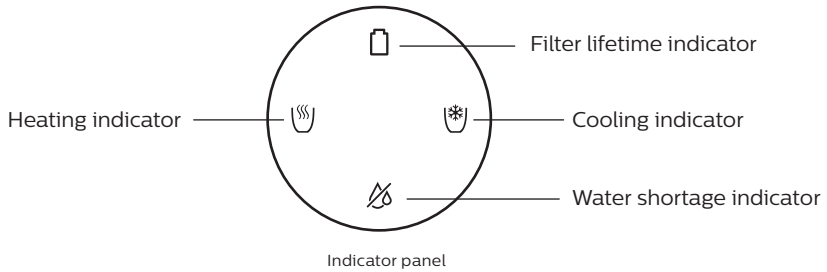
Model	ADD4966 ADD4969
Filter model	ADD502
Rated voltage	220V
Rated frequency	50Hz
Heating power	170/350W
Cooling power	85W
Hot water	≥90°C, 3.8L/h with high power, 1.8L/h with low power
Cold water	≤10°C, 2L/h
Environmental temp.	T
Coolant	R134a, 38g
Relative humidity	≤90%
Protection of anti-electric shock	I

2 Product overview



- ① Child Safety Lock
- ② Indicator panel
- ③ Cold Water Faucet
- ④ Ambient Water Faucet
- ⑤ Hot Water Faucet
- ⑥ Drip Tray
- ⑦ Lower Cabinet Door
- ⑧ Filter Reset Button
- ⑨ Water Bottle Cap with Hose
- ⑩ Filter
- ⑪ Water Bottle
- ⑫ Power Switch
- ⑬ Condenser
- ⑭ Power Cord
- ⑮ Dispenser Flushing Drain
- ⑯ Filter Drain

3 Indicator panel and switch

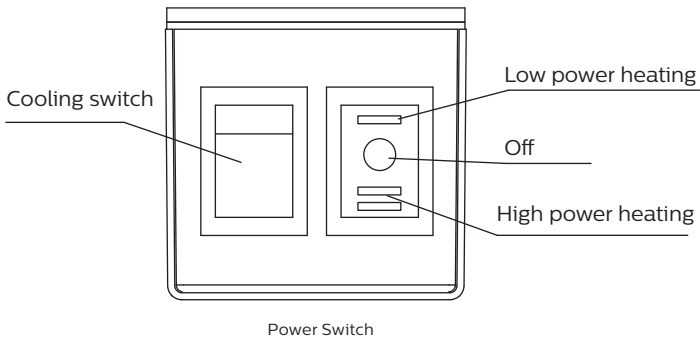


When the dispenser is heating up the water in the hot water tank, the heating indicator light will be on.

When the dispenser is cooling the water in the cold water tank, the cooling indicator light will be on.

When there's no water left in the bottle, the water shortage indicator will be on. Replace with a new bottled water and the indicator will switch off automatically.

The filter lifetime indicator red light will start to flash when there are 15 days filter lifetime left, it will stay on until the filter reaches the end of life. Replace the filter and reset the lifetime indicator as instructed, the indicator will switch off automatically afterwards.



At the back of the dispenser there is a black switch which controls the heating power. You may press it to switch between high power, low power and OFF.

Every time when you plug in the water dispenser again, it will need some time for getting hot and cold water.

Turn the black heating switch to 'I', please wait for around 30 minutes for hot water;

Turn the black heating switch to 'II', please wait for around 15 minutes for hot water;

Turn the green cooling switch to 'ON', please wait for around an hour for cold water.

4 Instruction

(1) Unpacking the water dispenser

- Cut and remove the straps from the box. DO NOT turn the box upside down, or lay it on its side. The bottom of the box is separate from the top section. Lift straight up on the top box section to remove the top box section. Remove the Styrofoam packaging and plastic bag. Lift the water dispenser off the bottom of the bottom of the box. Wipe it clean if necessary.
- Place the machine on a hard, flat surface. Make certain the unit is leveled. The unit should not be placed near direct sunlight or other source of heat.
- It is best to place the water dispenser in an area with good air circulation. Make sure there is at least 4 inches (10cm) of space between the back of your water dispenser and the wall. Keep a minimum distance of 2 inches (5cm) on each side of your water dispenser.

Warning: the drain plug on the back of the unit may become loose during shipping. Fasten the drain plug tightly before you start to operate the unit. If the drain plug is loose, the unit may leak and cause floor damage.

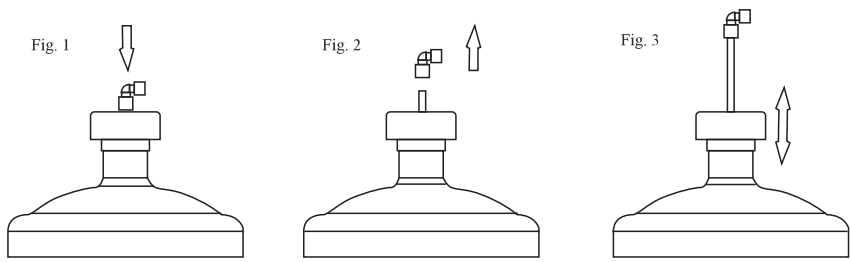
(2) Settling water bottle

- Make sure the water dispenser is not plugged into an electrical outlet.
- Open the door of the lower cabinet.
- Place full water bottle on floor. Remove the plastic cover over the mouth of the water bottle.
- Place the stainless tube inside the bottle and place the water bottle cap firmly over the mouth of the water bottle.
- Attach the hose to the top of the cap using the quick connect system shown below*.
- Slide the bottle inside the cabinet and close the lower cabinet door.

* Your new water dispenser features an adjustable quick connect system. For proper operation, make sure the connector is sealed tight (Fig. 1);

The connector can be removed easily for cleaning with warm soapy water (Fig. 2);

The stainless steel tube can be adjusted up and down to accommodate both 3 gallon and 5 gallon water bottle (Fig. 3).



Note: If there is not a secure connection between the hose cap and the connector on the water dispenser, the water pump will operate but the water dispenser will not dispense water. Make sure the hose is connected to the water dispenser correctly.

(3) Dispense water

- Plug the water dispenser into a grounded power outlet. The unit will pump the water from the water bottle into the cooling and heating tanks.
- Press the hot water faucet until water flows out.
- Turn on the power switch on the back of the unit. The cooling or heating feature will start running. The indicator light will be on when heating or cooling function is working. Do not touch both switches during the time.
- Enjoy the hot or cold water you need.
- If you are not going to use hot water, turn the black heating switch to 'O'; if you are not going to use cold water, turn the green cooling switch to "OFF" to conserve energy.

Note: please wait until the water pump stops running before using the unit. If the water tank is not full, no water will dispense from the water faucet.

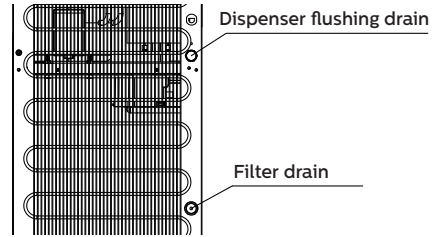
Filter

(1) Function of the filter

The filter is made of carbon block, which can remove particles such as micro-plastics, as well as improving the taste and texture of water.

(2) Flushing the filter for first time usage

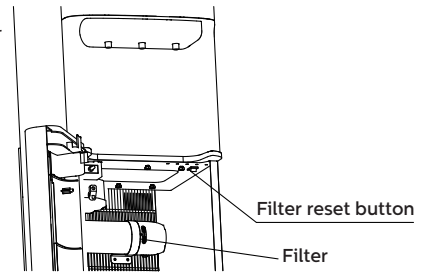
- Unplug the filter drain at the back of the dispenser, and connect the filter drain with the PE pipe provided. Put the other end of the PE pipe in a container or a bucket which can hold at least 5L water.



- Plug the water dispenser into a grounded power outlet. Insert the stainless steel pipe into the bottle, and slide the bottle in. Close the cabinet door. Water that is used to flush the filter will flow into the container automatically from the filter drain. Flush the filter for 3 minutes.
- Once it's done, open the cabinet door, remove the PE pipe from the filter drain and plug the filter drain.
- Close the cabinet door. Now the filter is ready to use.

(3) Replacing the filter and resetting filter lifetime indicator

- Open the cabinet door and remove stainless steel pipe from the bottle. Press the cold water button to empty the water tank inside.
- Turn the filter counterclockwise to take off the old filter.
- Screw the new filter clockwise into the filter holder until the dots on the filter and the holder is fully aligned.
- Press and hold the reset button for 5 seconds to reset the filter lifetime indicator. Once successful, the filter lifetime indicator on the panel will switch off.
- Flush the filter as instructed above.
- If you reset the lifetime by mistake, continuously short press the reset button for 5 times within 5 minutes, then the filter lifetime indicator will flash for 3 times which means you revoke the reset successfully.



UV-LED light (applicable for ADD4969)

The UV-LED light is installed in the cold water tank to kill the bacteria which may grow inside. It's controlled automatically by the software program once the dispenser is connected with power.

5 Precautions

Warning

When using electrical appliances, basic safety precautions should be followed to reduce the risk of fire, electric shock, and injury to persons or property. Read all instructions before using any appliance.

- Do not let hot water touch bare skin. Keep combustible material such as furniture, bedding, pillows, clothes, and/or papers away from the back of the unit.
- Do not operate this, or any other appliance with a damaged power cord. No other appliance should be plugged into the same outlet. Be sure that the plug is fully inserted into the outlet.
- Do not run the power cord over carpeting or other heat insulators. Do not cover the cord. Keep cord away from high traffic areas, and do not submerge in water.
- We do not recommend the use of extension cord as it may overheat and cause a risk of fire.
- Exercise caution and use reasonable supervision when the appliance is used by or near children.
- Do not use your water dispenser outdoors. Place the water dispenser away from direct sunlight and make sure that there is at least 4 inches (10cm) of space between the back of your unit and wall. Keep a minimum of 2 inches (5cm) on each side of your unit free.
- Do not use this product to dispense anything other than water.
- To avoid a hazard due to instability of the appliance, it must be placed on even and flat surface.
- If the supply cord is damaged, please contact aftersales personnel to replace it in order to avoid a hazard.
- This water dispenser must be positioned so that the plug is accessible.
- Disconnect the plug from the outlet when not in use.
- Remove power plug or disconnect from the main power source before servicing the appliance.

6 Cleaning and maintenance

- To avoid accidents, turn off and unplug the water dispenser from the outlet before cleaning.
- A soft damp cloth may be used to clean the surface of the water dispenser. When necessary, a mild detergent may be used. DO NOT use corrosive chemical solvents to clean the unit, as this may damage the surface of the water dispenser.
- DO NOT pour water on the exterior of the unit to avoid getting the internal electrical system wet. DO NOT immerse the unit in water when cleaning.
- The water bottle cap, hose, and drip tray may be washed in a dishwasher (top rack only).
- Keep the water dispenser 6 inches (15cm) away from the wall so it can work properly. Make certain all ventilation openings are clear of obstruction.
- Do not damage the heating or cooling system, paying particular attention to the black condenser or heating radiator on the back of the water dispenser.
- If you will not use the water dispenser for a long period of time, please unplug the power cord and drain the water dispenser. Drain the water from all faucets, then remove the drain cap on back and allow it to drain. Make certain the drain cap is fastened tightly when finished.

7 Trouble shooting

Trouble	Possible causes	Solutions
Unit does not dispense hot and cold water.	<ol style="list-style-type: none"> 1. Unit is unplugged. 2. Main power supply is off. 3. Damaged water dispenser. 4. The water bottle cap is not attached properly to the connector on the water dispenser. 	<ol style="list-style-type: none"> 1. Plug the power cord into an socket. 2. Reestablish main power supply. 3. Replace the dispenser or send for service 4. Connect properly.
Unit does not dispense cold water.	<ol style="list-style-type: none"> 1. Over consumption of cold water in a short time. 2. System Malfunction 3. The ventilation around the unit is insufficient. 4. The temperature of water in the water bottle is too high. (When the bottle is exposed to direct sunlight for a long time. 	<ol style="list-style-type: none"> 1. Wait a moment for the water to cool. 2. Contact aftersales personnel for support. 3. Space the unit from the wall by more than 15 cm. 4. Place the water bottle in a cool location out of direct sunlight.
Unit does not dispense hot water.	<ol style="list-style-type: none"> 1. Over consumption of hot water in a short time. 2. System Malfunctions 	<ol style="list-style-type: none"> 1. Wait a moment for the water to heat. 2. Contact aftersales personnel for support
Water leaks from the faucet.	<ol style="list-style-type: none"> 1. The top portion of the faucet has become loose. 2. The faucet has been damaged. 	<ol style="list-style-type: none"> 1. Tighten the top threaded portion of the faucet. 2. Contact aftersales personnel for support.
Water is dripping out of the water dispenser and onto the floor.	<ol style="list-style-type: none"> 1. The Hose Connector is not connected properly or the inside hot or cold water tanks is leaking. 2. The drain cap on the back is not fastened properly. 	<ol style="list-style-type: none"> 1. Make sure the hose connector is properly connected. Contact dealer if a water tank is leaking 2. Tighten the drain cap. If the sealing silicon material inside the drain cap is torn or damaged, then replace with a new one.
The water being dispensed has a strange taste.	<p>This is not uncommon with new water dispensers. Do not worry, this is not dangerous to your health. This water dispenser is FDA approved.</p>	<p>Clean the hose in the dishwasher (top rack only) or let it soak in dish soap. The strange taste usually goes away after the first bottle has been used up.</p>

8 Guarantee and Service

This product includes a two-year warranty for the dispenser and five-year warranty for compressor from the date of purchase. For more details about warranty conditions, please refer to the warranty information in the box. If you need more information, please visit: www.Philips.com.

Within the warranty period, you will receive free warranty service for any damage caused by the manufacturing process or components under normal operation confirmed by our maintenance service.

The warranty service does not include frequent replaced consumable components (water purifier filter, pitcher filter, granular activated carbon, ion exchange resin, hollow fiber membrane, etc.), auxiliary devices, transportation fee and door-to-door service.

Please show the proof of purchase to the service personnel during maintenance.

You cannot receive free warranty service under the following conditions:

1. Damage by improper operation, such as improper components connection, improper installation, deprived of manual use, misoperation.
2. Negligence and damage because of transportation or other accident.
3. Maintenance and modification without approval.
4. Other damage caused by force majeure (such as natural disaster, abnormal voltage, etc.).
5. Damage caused by general use outside home (e.g. industrial and commercial use).
6. Aging, wear and tear caused by normal operation of the product without affecting normal operation of the product.

This statement serves as a publicity for free maintenance within the specified time limit and conditions, and does not limit the legal rights of consumers.

9 Packing list

Water dispenser	1x
PE pipe	1x
User Manual	1x
Quick Start Guide	1x

Please keep this user manual for future reference.

Daftar Isi

1 Spesifikasi teknis 1

2 Bagian-bagian produk 2

3 Panel indicator dan saklar 3

4 Petunjuk 4

·Filter 5

·Lampu UV-LED 5

5 Tindakan pencegahan 6

6 Pembersihan dan perawatan 7

7 Pemecahan masalah 8

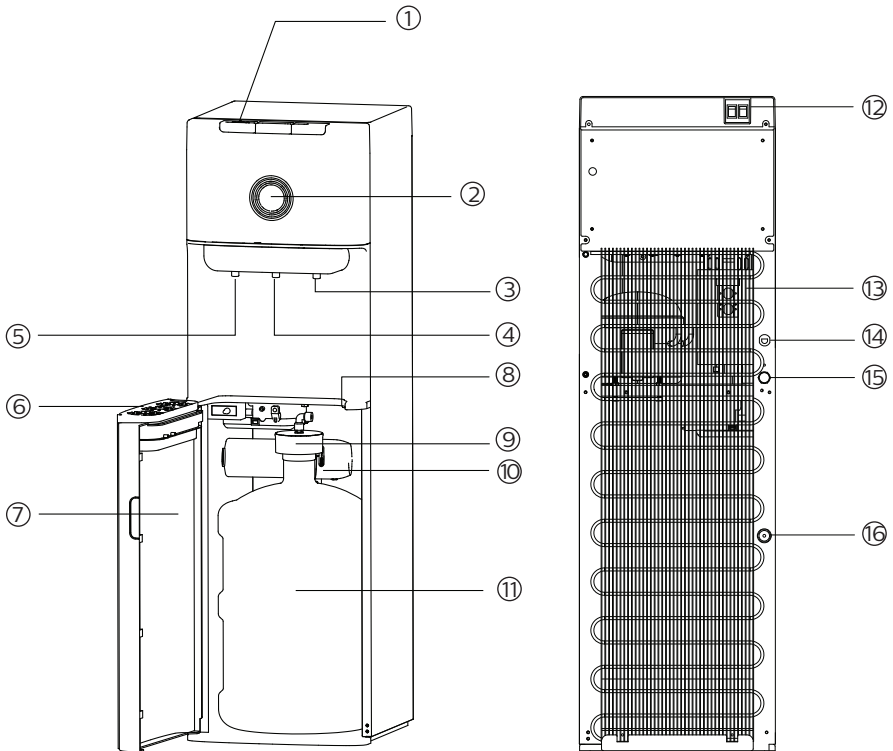
8 Jaminan dan layanan 9

9 Isi dalam kemasan 9

1 Spesifikasi teknis

Model	ADD4966 ADD4969
Model filter	ADD502
Tegangan	220V
Frekuensi	50Hz
Daya pemanas	170/350W
Daya pendingin	85W
Air panas	$\geq 90^{\circ}\text{C}$, Daya tinggi : 3.8L/h Daya rendah : 1.8L/h
Air dingin	$\leq 10^{\circ}\text{C}$, 2L/h
Kelas iklim	T
Cairan pendingin	R134a, 38g
Kelembaban relatif	$\leq 90\%$
Kelas pengaman terhadap bahaya kejut listrik	I

2 Bagian-bagian produk



① Kunci pengaman anak untuk air panas

② Panel indikator

③ Keran air dingin

④ Keran air normal

⑤ Keran air panas

⑥ Baki tetesan air

⑦ Pintu kabinet bawah

⑧ Tombol reset saringan/filter

⑨ Tutup botol galon dengan slang

⑩ Saringan

⑪ Botol galon

⑫ Saklar daya

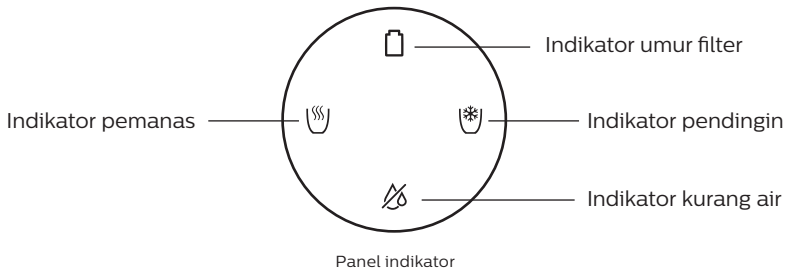
⑬ Kondensator

⑭ Kabel daya listrik

⑮ Saluran pembuangan

⑯ Saringan pembuangan

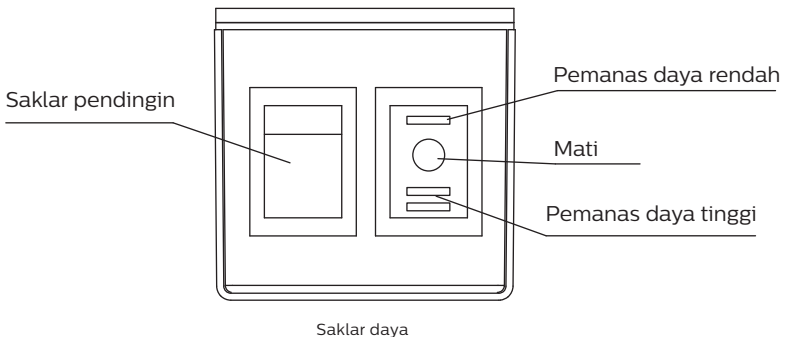
3 Panel indikator dan saklar



Saat dispenser memanaskan air dalam tangki air panas, lampu indikator pemanas akan menyala. Saat dispenser mendinginkan air dalam tangki air dingin, lampu indikator pendingin akan menyala. Ketika tidak ada air yang tersisa di botol, indikator kurang air akan menyala. Ganti dengan air galon baru dan indikator akan mati secara otomatis.

Lampu indikator merah umur filter akan mulai berkedip ketika ada 15 hari masa pakai filter yang tersisa.

Indikator tersebut terus menyala sampai filter mencapai akhir umur masa pakai. Ganti filter dan atur ulang (reset) indikator umur filter seperti yang diperintahkan, dan indikator akan mati secara otomatis.



Di belakang dispenser ada saklar hitam yang mengontrol daya pemanas. Anda dapat menekannya untuk beralih antara daya tinggi, daya rendah dan OFF.

Setiap kali Anda menghidupkan dispenser air lagi, akan perlu waktu untuk menjadikan air panas dan dingin.

Atur saklar pemanas hitam ke 'I', tunggu sekitar 30 menit untuk air panas;

Atur saklar pemanas hitam ke 'II', tunggu sekitar 15 menit untuk air panas;

Atur saklar pendingin hijau ke 'ON', tunggu sekitar satu jam untuk air dingin.

4 Petunjuk pengoperasian

(1) Buka kemasan unit dispenser.

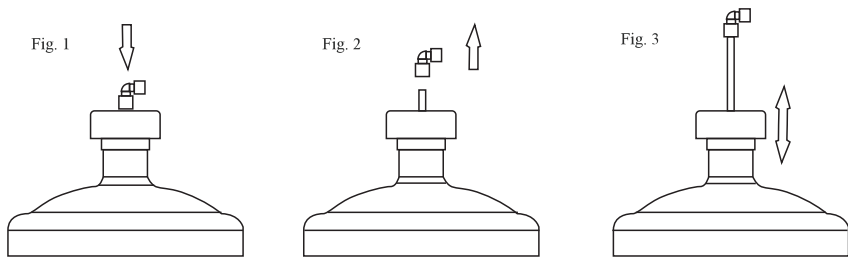
- Potong dan lepaskan tali dari kotak. JANGAN membalikkan kotak, atau meletakkannya di sisinya. Bagian bawah kotak terpisah dari bagian atas. Angkat lurus ke atas bagian kotak atas untuk melepas bagian kotak atas. Lepaskan kemasan Styrofoam dan kantong plastik. Angkat unit dispenser dari bagian bawah kotak. Bersihkan jika perlu.
- Tempatkan unit pada permukaan yang keras dan rata. Pastikan unit rata. Unit sebaiknya tidak diletakkan di dekat sinar matahari langsung atau sumber panas lainnya.
- Yang terbaik adalah menempatkan unit dispenser di tempat dengan sirkulasi udara yang baik. Pastikan ada setidaknya 10 cm ruang antara bagian belakang unit dispenser dan dinding. Jaga jarak minimum 5 cm di setiap sisi unit dispenser Anda.

Peringatan: Tutup saluran pembuangan di bagian belakang unit mungkin longgar saat pengiriman. Kencangkan tutup saluran pembuangan hingga ketat sebelum Anda mulai mengoperasikan unit. Jika tutup saluran pembuangan longgar, air dalam unit dapat bocor keluar dan menyebabkan lantai basah.

(2) Penempatan botol galon air

- Pastikan unit dispenser tidak terhubung ke stopkontak sumber listrik.
- Buka pintu kabinet bawah.
- Tempatkan botol galon penuh air di lantai. Lepaskan tutup plastik di mulut galon.
- Tempatkan tabung stainless ke dalam botol dan letakkan tutup botol dengan kuat di atas mulut botol galon.
- Pasang slang ke bagian atas tutup menggunakan sistem koneksi cepat seperti ditunjukkan pada gambar di bawah *.
- Geser botol ke dalam kabinet dan tutup pintu kabinet bawah.

* Unit dispenser air Anda memiliki sistem koneksi cepat yang dapat disesuaikan. Untuk pengoperasian yang benar, pastikan konektor tertutup rapat (Gbr. 1); Konektor dapat dilepas dengan mudah untuk dibersihkan dengan air sabun hangat (Gbr. 2); Tabung stainless steel dapat disesuaikan ke atas dan ke bawah untuk mengakomodasi botol galon air (Gbr. 3).



Catatan: Jika ada koneksi yang tidak aman antara tutup slang dan konektor pada unit dispenser, pompa air akan beroperasi tetapi dispenser tidak mengeluarkan air. Pastikan slang terhubung ke dispenser air dengan benar.

(3) Menuangkan air

- Hubungkan steker kabel listrik unit dispenser ke stopkontak yang diarde. Unit akan memompa air dari botol air ke tangki pendingin dan pemanas.
- Tekan kran air panas sampai air mengalir keluar.
- Hidupkan saklar daya di bagian belakang unit. Fitur pendingin atau pemanas akan mulai berjalan. Lampu indikator menyala ketika fungsi pemanas atau pendingin bekerja. Jangan menyentuh kedua saklar selama fungsi ini bekerja.
- Nikmati air panas atau dingin yang Anda butuhkan.
- Jika Anda tidak menggunakan air panas, atur saklar pemanas warna hitam ke posisi 'O'; jika Anda tidak menggunakan air dingin, atur saklar pendingin warna hijau ke posisi "OFF" untuk menghemat energi listrik.

Catatan: Tunggu sampai pompa air berhenti bekerja sebelum menggunakan unit dispenser. Jika tangki air tidak penuh, tidak ada air yang keluar dari kran air.

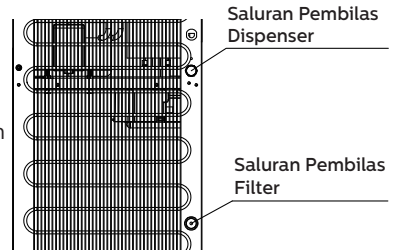
Filter

(1) Fungsi filter

Filter terbuat dari blok karbon, yang dapat menghilangkan partikel seperti mikro-plastik, serta meningkatkan rasa dan tekstur air.

(2) Pembilasan filter untuk penggunaan pertama kali

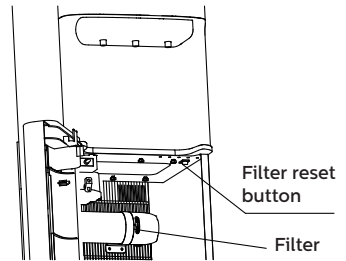
- Lepas pembilas filter di belakang dispenser, dan hubungkan saluran pembilas filter dengan pipa PE yang disediakan. Taruh ujung pipa PE lainnya ke dalam wadah atau ember yang dapat menampung setidaknya 5L air.



- Masukkan steker kabel daya listrik ke stopkontak. Masukkan pipa stainless steel ke dalam botol, dan geser botol ke dalam. Tutup pintu kabinet. Air yang digunakan untuk menyiram saringan akan mengalir ke wadah secara otomatis dari saluran saringan. Siram filter selama 3 menit.
- Setelah selesai, buka pintu kabinet, lepaskan pipa PE dari saluran filter dan pasang saluran filter.
- Tutup pintu kabinet. Sekarang filter siap digunakan.

(3) Mengganti filter dan mengatur ulang indikator umur filter

- Buka pintu kabinet dan lepaskan pipa stainless steel dari botol galon. Tekan tombol kran air dingin untuk mengosongkan tangki air di dalamnya.
- Putar filter berlawanan arah jarum jam untuk melepas filter lama.
- Pasang filter baru dengan memutar searah jarum jam ke dalam penahan filter sampai selaras.
- Tekan dan tahan tombol reset selama 5 detik untuk mengatur ulang indikator umur filter. Setelah berhasil, indikator umur filter pada panel akan mati.
- Siram filter seperti yang diinstruksikan di atas.
- Jika Anda mengatur ulang (reset) umur filter secara tidak sengaja, tekan singkat tombol reset 5 kali dalam 5 menit, maka indikator umur filter akan berkedip selama 3 kali yang berarti Anda berhasil membatalkan pengaturan ulang.



Lampu UV-LED (berlaku untuk ADD4969)

Lampu UV-LED yang terpasang di tangki air dingin untuk membunuh bakteri yang mungkin tumbuh di dalamnya.

Sistem ini bekerja secara otomatis melalui program perangkat lunak begitu dispenser terhubung ke stopkontak sumber listrik.

5 Tindakan pencegahan

Peringatan

Saat menggunakan peralatan listrik, tindakan pencegahan dasar harus diikuti untuk mengurangi resiko kebakaran, sengatan listrik, dan cedera pada orang atau properti. Baca semua instruksi sebelum menggunakan peralatan apa pun.

- Jangan biarkan air panas mengenai kulit. Pastikan bahan yang mudah terbakar seperti furnitur, kasur, bantal, pakaian, dan / atau kertas terletak jauh dari bagian belakang unit dispenser.
- Jangan mengoperasikan unit ini, atau alat lain dengan kabel listrik yang rusak. Pastikan tidak ada peralatan lain yang dicolokkan ke stopkontak yang sama. Pastikan steker kabel daya listrik dimasukkan sepenuhnya ke dalam stopkontak.
- Jangan biarkan kabel listrik berada di atas karpet atau isolator panas lainnya. Jangan tutupi kabelnya. Jauhkan kabel dari area yang banyak dilalui orang, dan jangan biarkan kabel terendam air.
- Kami tidak merekomendasikan penggunaan kabel ekstensi karena terlalu panas dan dapat menyebabkan resiko kebakaran.
- Berhati-hatilah dan lakukan pengawasan seadanya saat unit dispenser digunakan oleh atau di dekat anak-anak.
- Jangan tempatkan unit dispenser air Anda di luar ruangan. Tempatkan dispenser air jauh dari sinar matahari langsung dan pastikan setidaknya ada jarak 10 cm diantara bagian belakang unit dan dinding. Pastikan ada jarak minimum 5 cm di setiap sisi unit.
- Jangan menggunakan produk ini untuk mengeluarkan apa pun selain air.
- Untuk menghindari bahaya karena ketidakstabilan alat, unit dispenser harus ditempatkan pada permukaan yang datar dan rata.
- Jika kabel daya listrik rusak, hubungi personel servis untuk menggantinya agar terhindar dari bahaya.
- Unit dispenser air ini harus diposisikan sedemikian rupa sehingga steker kabel daya listrik dapat terakses ke stopkontak dengan mudah.
- Lepaskan steker kabel listrik dari stopkontak saat tidak digunakan.
- Lepaskan steker kabel listrik dari stopkontak sumber listrik sebelum memperbaiki unit dispenser.

6 Pembersihan dan perawatan

- Untuk menghindari kecelakaan, matikan dan cabut kabel listrik unit dispenser dari stopkontak sebelum membersihkan.
- Kain lembab yang lembut dapat digunakan untuk membersihkan permukaan dispenser. Bila perlu, deterjen ringan dapat digunakan. **JANGAN** gunakan pelarut kimia korosif untuk membersihkan unit, karena ini dapat merusak permukaan unit dispenser.
- **JANGAN** tuangkan air ke bagian luar unit untuk menghindari sistem listrik internal basah. **JANGAN** celupkan unit ke dalam air saat membersihkan.
- Tutup botol air, slang, dan baki tetesan air dapat dicuci di mesin pencuci piring (hanya rak atas).
- Jauhkan unit dispenser 15 cm dari dinding agar unit dapat bekerja dengan baik. Pastikan semua lubang ventilasi terbebas dari halangan.
- Jangan merusak sistem pemanas atau pendingin, dengan memberi perhatian terhadap kondensor warna hitam atau radiator pemanas di bagian belakang unit dispenser.
- Jika Anda tidak menggunakan unit dispenser untuk waktu yang lama, cabut kabel listrik dan bersihkan dispenser air. Kuras air melalui semua krannya, lalu lepaskan tutup saluran pembilasan di belakang dan biarkan air mengalir. Pastikan penutup saluran dikencangkan dengan erat saat selesai pengurasan.

7 Pemecahan masalah

Masalah	Kemungkinan penyebab	Solusi
Unit dispenser tidak mengeluarkan air panas dan dingin.	<ol style="list-style-type: none"> 1. Kabel listrik tidak terhubung ke stopkontak. 2. Sumber listrik mati. 3. Dispenser yang rusak. 4. Tutup botol air tidak terpasang dengan benar ke konektor pada unit dispenser. 	<ol style="list-style-type: none"> 1. Hubungkan steker kabel daya listrik ke stopkontak. 2. Menyalakan kembali sumber listrik. 3. Ganti unit dispenser atau kirim ke service center untuk diperbaiki. 4. Hubungkan dengan benar.
Unit tidak mengeluarkan air dingin	<ol style="list-style-type: none"> 1. Banyak mengkonsumsi air dingin dalam waktu singkat. 2. Kerusakan sistem. 3. Ventilasi di sekitar unit tidak cukup. 4. Suhu air dalam galon terlalu tinggi. (Jika galon terkena sinar matahari langsung untuk waktu yang lama). 	<ol style="list-style-type: none"> 1. Tunggu sebentar hingga air men- dingin. 2. Hubungi personel purna jual untuk mendapatkan penanganan. 3. Tempatkan unit dengan jarak lebih dari 15 cm dari dinding. 4. Tempatkan galon air di lokasi yang sejuk, terhindar dari sinar matahari langsung.
Unit tidak mengeluarkan air panas	<ol style="list-style-type: none"> 1. Banyak mengkonsumsi air panas dalam waktu singkat. 2. Kerusakan sistem 	<ol style="list-style-type: none"> 1. Tunggu sebentar hingga air meman- as. 2. Hubungi personel purna jual untuk mendapatkan penanganan.
Air bocor dari keran.	<ol style="list-style-type: none"> 1. Bagian atas kran longgar. 2. Kran telah rusak. 	<ol style="list-style-type: none"> 1. Kencangkan bagian ulir kran. 2. Hubungi personel purna jual untuk mendapatkan penanganan.
Air menetes keluar dari unit dispenser dan ke lantai.	<ol style="list-style-type: none"> 1. Konektor slang tidak terhubung dengan benar atau tangki air panas atau dingin bocor. 2. Tutup saluran pembilasan di bagian belakang tidak dipasang dengan benar. 	<ol style="list-style-type: none"> 1. Pastikan konektor slang terhubung dengan benar. Hubungi dealer jika tangki air bocor 2. Kencangkan penutup saluran. Jika bahan penyegelan silikon di dalam tutup saluran pembilasan (drain) terkoyak atau rusak, ganti dengan yang baru.
Air yang tersaji memiliki rasa yang aneh.	Hal ini jarang terjadi pada dispenser air baru. Jangan khawatir, ini tidak berbahaya bagi kesehatan Anda. Unit dispenser air ini disetujui FDA.	Bersihkan slang. Rasa aneh biasanya hilang setelah botol pertama habis.

8 Jaminan dan layanan

Produk ini mencakup garansi dua tahun dari tanggal pembelian. Untuk detail lebih lanjut tentang ketentuan garansi, silakan merujuk ke informasi garansi di dalam kotak. Jika Anda memerlukan informasi lebih lanjut, silakan kunjungi: www.philips.com.

Dalam satu tahun sejak tanggal pembelian, Anda akan menerima layanan garansi gratis untuk segala kerusakan yang disebabkan oleh proses pembuatan atau komponen dalam operasi normal yang dikoreksi oleh layanan pemeliharaan kami.

Layanan garansi tidak termasuk komponen habis pakai yang sering diganti (filter penjernih air, filter pitcher, karbon aktif granular, resin penukar ion, membran serat berlubang, dll.)

Perangkat tambahan, biaya transportasi, dan layanan dari pintu ke pintu.

Tolong tunjukkan bukti pembelian kepada petugas servis selama perawatan.

Anda tidak dapat menerima layanan garansi gratis dalam kondisi berikut:

1. Kerusakan oleh operasi yang tidak benar, seperti koneksi komponen yang tidak tepat, pemasangan yang tidak benar, kehilangan penggunaan manual, salah operasi.
2. Kelalaian dan kerusakan karena transportasi atau kecelakaan lainnya.
3. Pemeliharaan dan modifikasi tanpa persetujuan.
4. Kerusakan lain yang disebabkan oleh force majeure (seperti bencana alam, tegangan tidak normal, dll).
5. Kerusakan yang disebabkan oleh penggunaan umum di luar rumah (mis. Penggunaan industri dan komersial).
6. Penuaan, keausan yang disebabkan oleh operasi normal produk tanpa mempengaruhi operasi normal produk.

Pernyataan ini berfungsi sebagai publisitas untuk pemeliharaan gratis dalam batas waktu dan ketentuan yang ditentukan, dan tidak membatasi hak hukum konsumen.

9 Isi dalam kemasan

Unit dispenser	1x
Pipa PE	1x
Petunjuk penggunaan	1x
Panduan mulai cepat	1x

Simpan Petunjuk Penggunaan untuk referensi di masa mendatang.



Register your product and learn more in the website link below:
www.philips.com/welcome

Specifications are subject to change without notice

© 2019 AquaShield

All rights reserved.

The Philips trademark and the Philips Shield Emblem are registered trademarks of Koninklijke Philips N.V. used under license.

This product has been manufactured by and is sold under the responsibility of Hong Kong AquaShield Health Technology Company Limited and Hong Kong AquaShield Health Technology Company Limited is the warrantor in relation to this product.

Rev A Sep 19

Nomor Tanda Pendaftaran: I.6.A15.02604.0919

