



PHILIPS

淨水器

淨水壺

AWP2900
AWP2920
AWP2921
AWP2950
AWP2970



說明書
User Manual

Visit us:
www.philips.com/welcome

© 2018 AquaShield
All rights reserved.
The Philips trademark and the Philips Shield Emblem are registered trademarks of Koninklijke Philips N.V.
used under license.
This product has been manufactured by and is sold under the responsibility of Hong Kong
AquaShield Health Technology Company Limited and Hong Kong AquaShield Health Technology Company
Limited is the warrantor in relation to this product.
Rev A JAN19

目錄

中文

1. 產品功能	1
2. 適用水質範圍	1
3. 主要技術參數	1
4. 水處理工藝	2
5. 總覽	2
6. 使用方法	3
7. 注意事項	4
8. 維護保養功能	4
9. 故障判斷	5
10. 產品保固服務指南	5
11. 裝箱清單	6

Content

English

1. Product Functions	8
2. Applicable Water	8
3. Main Technical Parameters	8
4. Water Treatment Process	8
5. Overview	9
6. Instruction	10
7. Precautions	11
8. Maintenance	11
9. Trouble Shooting	12
10. Guarantee & Service	13
11. Packing List	13

產品功能

飛利浦淨水器AWP2900、AWP2921、AWP2920、AWP2950和AWP2970採用多重過濾技術，有效去除餘氯並且去除水中異色異味。離子交換樹脂軟化水質並去除重金屬，超濾膜有效去除水中細菌，讓您享用更健康的飲用水。

適用水質範圍

政府供應食水

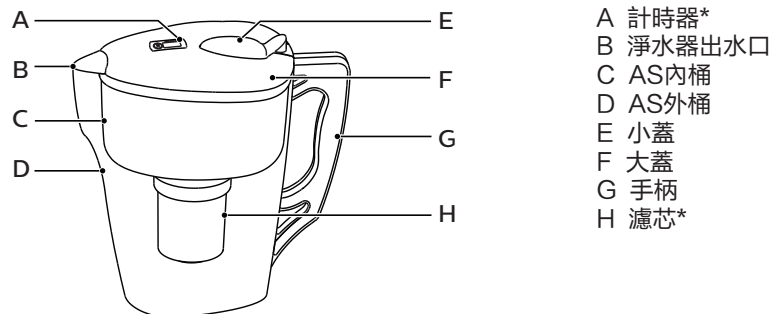
主要技術參數

產品名稱	Philips AWP2950 Philips AWP2970		
主要成份或部件及濾料和膜組件的壽命	淨水用顆粒活性炭	60g	2個月
	超濾膜組件	1支	
	AS內桶	1個	
	AS外桶	1個	
	ABS過濾殼組件	1套	
淨水流量	0.15L/min		
額定總淨水量	200 L		
產品名稱	Philips AWP2900 Philips AWP2920 Philips AWP2921		
主要成份或部件及濾料和膜組件的壽命	淨水用顆粒活性炭	45g	2個月
	氫型離子交換樹脂	32.5g	
	鉀型離子交換樹脂	32.5g	
	AS內桶	1個	
	AS外桶	1個	
	ABS過濾殼組件	1套	
淨水流量	0.25L/min		
額定總淨水量	200 L		
外觀差異	AWP2900型內桶透明色，蓋白色，不帶計時器； AWP2921型內桶透明色，蓋深藍色，帶計時器； AWP2920型內桶透明色，蓋白色，帶計時器； AWP2950型內桶透明色，蓋深藍色，不帶計時器； AWP2970型內桶透明色，蓋白色，帶計時器；		
工作壓力	常壓（0 - 0.1MPa）		
水源水質	政府供應食水		

水處理工藝

政府供應食水 → 超濾複合濾芯
樹脂活性炭濾芯 → 淨化水

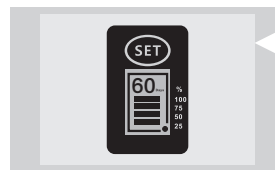
總覽



**注:

- 1、AWP2900型、AWP2950型不含計時器；
- 2、AWP2900型、AWP2921型、AWP2920型為樹脂活性炭濾芯；(AWP200 AWP201)
- 3、AWP2950型、AWP2970型濾芯為超濾活性炭濾芯。(AWP260 AWP261)
- 4、不同型號之間可能存在外觀上的差異。

濾芯更換計時器提醒



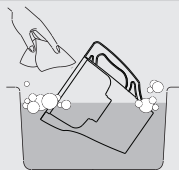
爲了維持濾芯的最佳狀態，Philips建議您每60天至少更換一次濾芯。
本計時器爲60天倒計時器，全新的計時器應該是無顯示狀態。

- 啓動：請持續3秒按住「SET」鍵，啓動計時器。
- 複位：首次使用需進行複位操作。持續8秒按住「SET」鍵，計時器將複位至60 Days狀態，重新開始計時。
- 正常複位：顯示爲00時，更換濾芯後，請持續3秒按住「SET」鍵，即可開始一個新周期計時。
- 強制複位：中途任何時候更換濾芯，請持續8秒按住「SET」鍵均可強制進行複位。
- 暫停/取消暫停：啓動狀態下，持續3秒按住「SET」鍵，計時器可以在暫停與取消暫停之間切換。
- 計時器顯示說明：正常計時時，圓點會一直閃爍，數字和進度條會隨時間變化不斷減少（顯示數字代表離下次更換濾芯的剩餘天數，對應百分比的進度條顯示爲剩餘濾芯壽命的估值），初始狀態時數字顯示爲60Days，當數字顯示爲00、進度條消失且點和框一直閃爍，用戶需要更換濾芯。

使用方法



打開包裝，取出淨水器和濾芯。



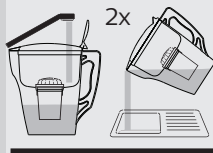
清洗淨水器（注意：不能使用洗碗機清洗此產品）。



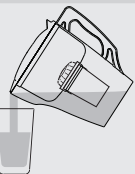
將濾芯在清水中浸泡15分鐘後沖洗乾淨（沖洗過程中可適當搖晃濾芯使得表面碳粉盡可能被沖掉）。



將濾芯裝入原水桶（在安裝前確認濾芯密封圈是否安裝好），按壓塞緊並啟動計時器。



打開小蓋子，接入自來水後實施過濾。（啟動計時器詳見P2頁濾芯更換計時器提醒。）將前兩次濾出的水倒掉。



享受潔淨而美味的淨水。

注意事項

警告

- 本產品使用原水水質為政府供應食水（不明水源地請勿使用）。
- 應看管好兒童，避免他們將產品當作玩具。
- 請務必非常小心地處理濾芯，請勿修改或跌落濾芯。如果濾芯已經過修改、外部損壞或跌落過，請加以更換。
- 本產品僅限於家用。

注意

- 請注意輕拿輕放，以免產品跌落造成砸傷。
- 請注意本產品中部分型號含一枚鈕扣式電池。如果誤食，它可能發生嚴重後果，甚至導致死亡。
- 應將本產品放置在穩固、平坦、水平的表面上。
- 當原水桶中水未全部過濾完之前，請勿使用淨水桶中的淨水，以免原水被一起倒出。
- 本產品不能過濾除食水以外的其它液體。如果不小將其它液體通過濾芯，濾芯可能會堵塞。
- 當使用淨水器時，請勿使用38°C以上熱水。
- 如果不小將熱水倒入了淨水器，淨水中會有暫時性異味。
- 若食水中出現大量渾濁物（如清洗水桶後或長期未使用食水等情況），請在使用本淨水器前流放一段時間的食水，可延長濾芯壽命。
- 請不要把產品放在火焰或高溫處，以免引起產品變形。
- 已過濾好的淨水請儘早使用。由於淨水中沒有餘氯，細菌容易繁殖。請裝入有蓋的清潔容器內，並放入冰箱保存。
- 請勿冷凍本產品，會引起產品破損。

維護保養功能

- 使用水源應符合政府供應食水要求；
- 請勿將產品放置在陽光直射處；
- 假設每天使用3L，建議約2個月更換濾芯（可視使用頻率及水質延長或縮短）；
- 請經常保持產品清潔，清潔時請取出濾芯，禁用洗滌劑和強揮發性溶劑清洗。

故障判斷

故障現象	故障可能的原因	故障解決方法
淨水味道異常	產品可能需要清潔 是否已超過濾芯更換時期 濾芯是否安裝到位	請清潔淨水器 請更換濾芯 檢查矽膠圈是否破損和磨損，並按正確方法安裝。
原水桶不下水	濾芯堵塞	提取濾芯組件，在食水龍頭下反復沖洗的同時，在手中抖動若干次即可還原使用
計時器不顯示	計時器未啓動	按照使用說明啓動計時器
計時器顯示異常	計時器損壞 計時器電池用完	請與售後服務人員聯絡 請與售後服務人員聯絡

幫助

問題	原因	解決方法
我不小心跌落了濾芯，我不確定濾芯是否仍能正常工作	濾芯很脆弱，必須小心處理。如果濾芯跌落，則可能無法繼續工作	如果濾芯跌落過，請予以更換，並重置計時器按住計時器「SET」鍵8秒，使計時器返回到60天重新開始計時
我發現濾芯流出的過濾水流速太慢，我想增大濾芯開孔	濾芯只有一個小孔，這是為了保證濾芯的過濾性能。	請勿修改濾芯！修改操作可能損壞濾芯，從而導致濾芯不能正常工作
我不知道淨水器可以過濾什麼類型的水		本淨水器只能用來淨化家中的食水，因為這屬於城市供水，經過預先處理。切勿向淨水器中注入溫度高於38°C的水。高於38°C的水可能損壞水桶和濾芯
我不知道在哪裏購買替換濾芯		您可以在銷售淨水器的商店或 Philips 淨水器的主要門店購買替換濾芯。

產品保固服務指南

從購買日期起，產品擁有兩年保固期。如果您需要更多資訊，請訪問：www.Philips.com。

*在購買日期後兩年內，凡經本公司特約維修站人員確認為正常使用情況下，因制作工艺或元器件造成之損壞，您都將獲得免費保修服務。

此免費服務不包括需時常更換的易耗零配件（淨水器濾芯、淨水壺濾芯、活性炭、樹脂、超濾膜片等）、輔助裝置、運輸費及維修人員上門服務費。維修時請攜同購買憑證正本方為有效。

以下情況將不能獲得免費服務

1. 使用不當引起的人為損壞，例如接入不適當配件、不適當之安裝、不依說明書使用、錯誤使用或疏忽而造成損壞等。
2. 因運輸及其他意外而造成之損壞。
3. 非經本公司認可之維修和改裝。
4. 其他因不可抗力（如自然災害、電壓異常等）造成的損壞。
5. 一般家庭以外使用（如工業、商業用等）而造成的損壞。
6. 正常使用引起的產品老化、磨損等，但不影響產品的正常使用。

該說明作為在規定期限及條件之內進行免費維修的宣貫，並不限制消費者的法定權利。

裝箱清單

主機	1X
濾芯	1X
說明書	1X

溫馨提示：



棄置產品時，請不要將其與一般生活垃圾堆放在一起，應將其交給政府指定的回收中心。這樣做有利於環保。
一次性電池含有可能污染環境的物質。請不要將一次性電池和普通生活垃圾一同丟棄，而應交給官方指定的回收中心處理。

請妥善保管本使用說明書

Product Functions

Philips pitchers AWP2900, AWP2921, AWP2920, AWP2950 and AWP2970 apply multi-stage filtration technology, which can reduce chlorine (odor and taste) in the tap water. The ion exchange resin can soften the water and reduce heavy metal, and the hollow fiber membrane can remove bacteria in the water.

Applicable Water

Municipal tap water

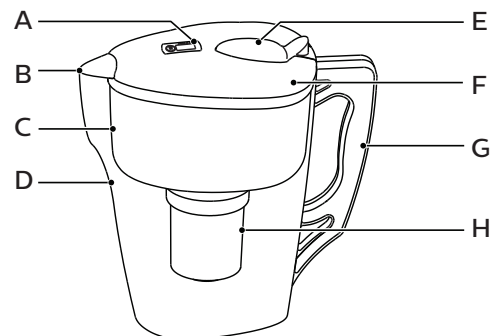
Main Technical Parameters

Model	Philips AWP2950 Philips AWP2970		
Main components and lifetime	Granular Activated Carbon	60g	2 months
	Hollow Fiber Membrane	1 pc	
	AS raw water tank	1 pc	
	AS filtered water tank	1 pc	
	ABS filter housing	1 set	
Water flow rate	0.15L/min		
Total water capacity	200 L		
Model	AWP2900 AWP2920 AWP2921		
Main components and lifetime	Granular Activated Carbon	45g	2 months
	Hydrogen ion exchange resin	32.5g	
	Potassium ion exchange resin	32.5g	
	AS raw water tank	1 pc	
	AS filtered water tank	1 pc	
	ABS filter housing	1 set	
Water flow rate	0.25L/min		
Total water purification	200 L		
Appearance difference	AWP2900: White cover, without timer AWP2921: Dark blue cover, with timer AWP2920: White cover, with timer AWP2950: Dark blue cover, without timer AWP2970: White cover, with timer		
Operating pressure	0 - 0.1MPa		
Applicable water	Municipal tap water		

Water Treatment Process

Municipal tap water → $\xrightarrow{\text{UF+GAC Filter}} \xrightarrow{\text{IEX+GAC Filter}}$ Filtered water

Overview



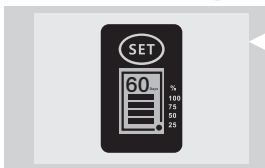
- A Timer*
- B Filtered water outlet
- C AS raw water tank
- D AS filtered water tank
- E Tap water inlet
- F Cover
- G Handle*
- H Filter cartridge*



*Notes:

1. AWP2900 and AWP2950 do not have filter cartridge timer.
2. AWP2900, AWP2921 and AWP2920 are with granular activated carbon and ion exchange resin filter cartridge. (AWP200 AWP201)
3. AWP2950 and AWP2970 are with hollow fiber membrane and granular activated carbon filter cartridge. (AWP260 AWP261)
4. There may be differences in the appearance between different models.

Timer for filter replacement



In order to maintain the best status of the filter cartridge, Philips recommends you to replace the filter cartridge at least every 60 days.

This timer has a 60-day countdown. A new pitcher with timer should be with no display until it is activated.

- Start: Please press "SET" button firmly for 3 seconds to activate the timer.
- Reset: Reset is required for the first time. Press the "SET" button firmly for 8 seconds. The timer will be reset to 60 Days and start to calculate.
- Normal reset: When it displays 00, after the filter cartridge is replaced, press the "SET" button firmly for 3 seconds to start a new cycle of countdown.
- Forced reset: For the replacement of filter cartridge at any time within a cycle of timing, press "SET" button firmly for 8 seconds to force it to reset.
- Pause/Resume: When the countdown is started, press the "SET" button firmly for 3 seconds and the timer can be switched between Pause and Resume.
- During countdown, the dot will be flashing, and the number of days & graph will be decreasing. At the beginning it will show 60 days, and please replace the filter when the timer shows 00.

Instruction



Open the box and take out the filter cartridge. It is common that its surface may have some carbon powder.



Clean the pitcher. Attention: cannot be washed in the dishwasher.



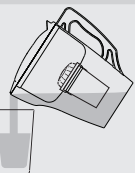
Soak the filter cartridge in clean water for 15 minutes. Shake the filter cartridge slightly to wash the carbon powder on the surface.



Confirm if the sealing ring is properly installed. Firmly press down the filter cartridge for a tight seal. Press the set button for 3 seconds to activate the timer (applicable for models with timer).



Fill the pitcher with tap water. Discard your first two pitchers of filtered water.



Enjoy the clean and tasted filtered water.

Precautions

Warning

- Use municipal tap water as the source. Do not use any water of unknown source.
- Keep the pitcher away from children.
- Be sure to handle the pitcher gently and carefully. Do not modify or drop the filter cartridge. If it has been modified, externally damaged or dropped, replace it.
- This product is intended for domestic use only.

Cautions

- Handle it gently to avoid damage.
- Please note that some models have a button battery. If eaten by mistake, it can cause serious internal burning, even death.
- This product should be placed on a stable and level place.
- Do not pour the filtered water if there's still raw water in the raw water tank.
- This product does not filter liquids other than tap water. If you accidentally pour other liquid through the filter cartridge, the filtered cartridge may become blocked.
- Do not filter hot water above 38°C.
- If you accidentally pour hot water into the pitcher, there will be a temporary odor in the filtered water.
- If there are a lot of impurities (after the container is washed or if it has not been used for a long time), please let the tap water run through it for a while before using the pitcher.
- Do not put the product in a high temperature environment to avoid deformation of the product.
- The filtered water should be consumed as soon as possible. Since there is no chlorine in the filtered water, bacteria are easy to grow. Pour the filtered water in a clean container with a cover and store it in the refrigerator.
- Do not put this product in the freezer, as it may cause damage to the product.

Maintenance

- The water being put in the pitcher should meet the requirements of municipal tap water.
- Do not place the product in direct sunlight.
- Assuming that the daily consumption is 3L, Philips recommends to replace the filter cartridge every 60 days (actual lifetime of the filter cartridge may vary depending on use frequency and quality of the local tap water).
- Please keep the product clean. When cleaning it, take out the filter cartridge. Do not use detergent when cleaning it.

Trouble Shooting

Trouble	Possible cause	Solution
Strange taste of the filtered water	The product may need to be cleaned.	Please clean the pitcher.
	The filter cartridge reaches the end of lifetime.	Please replace the filter cartridge.
	The silicon sealing ring is not properly installed.	Check if the silicone gasket is damaged or worn, and install it in the correct way
Water cannot run through the filter.	The filter cartridge is blocked.	Take out the filter and rinse it. Shake it for some times and put it back to the pitcher.
The timer does not display anything.	The timer is not started.	Follow instructions to start the timer.
The timer displays abnormally.	The timer is damaged.	Please contact after-sales service support.
	The timer is out of battery.	Please contact after-sales service support.

Help

Problem	Cause	Solutions
I accidentally dropped the filter and I am not sure if the filter can work normally.	The filter is very fragile and must be handled carefully. If the filter is dropped, it will be damaged.	If the filter has been dropped, please change a new one and reset the timer by pressing "SET" button for 8 seconds. Then the new counting cycle will start.
I found that the filter water flow rate is too slow, and I would like to enlarge the water exit.	The main purpose to have only 1 small hole in the filter is to ensure the purification performance.	Do not modify the filter as it may cause damage.
I am not sure what type of water can be used with the pitcher.		This pitcher can only filter tap water or water that has been properly treated. Do not pour hot water (>38 C) into the pitcher as it may damage the filter.
I do not know where I can buy a new filter.		You can buy replacement filter at the store that sells this pitcher, or other stores that sell Philips water filtration products.

Guarantee & Service

This product includes a two-year warranty from the date of purchase. If you need more information, please visit: www.Philips.com.

Within two years from the date of purchase, you will receive free warranty service for any damage caused by the manufacturing process or components under normal operation confirmed by our maintenance service.

The warranty service does not include frequent replaced consumable components (water purifier filter, pitcher filter, granular activated carbon, ion exchange resin, hollow fiber membrane, etc.), auxiliary devices, transportation fee and door-to-door service.

Please show the proof of purchase to the service personnel during maintenance.

You cannot receive free warranty service under the following conditions:

1. Damage by improper operation, such as improper components connection, improper installation, deprived of manual use, misoperation.
2. Negligence and damage because of transportation or other accident.
3. Maintenance and modification without approval.
4. Other damage caused by force majeure (such as natural disaster, abnormal voltage, etc).
5. Damage caused by general use outside home (e.g. industrial and commercial use).
6. Aging, wear and tear caused by normal operation of the product without affecting normal operation of the product.

This statement serves as a publicity for free maintenance within the specified time limit and conditions, and does not limit the legal rights of consumers.

Packing List

Pitcher	1X
Filter cartridge	1X
User Manual	1X

Reminders:



Before disposal, do not place the product together with household waste. You should hand it over to a government-designated recycling center. By doing this, you help to preserve the environment. Disposable batteries contain substances that may pollute the environment. Before disposal, do not place the disposable battery together with household waste. You should hand it over to a government-designated recycling center.

Please keep the User Manual properly.