

English

Congratulations on your purchase, and welcome to Philips! To fully benefit from the support that Philips offers, register your product at www.philips.com.cn/welcome.

1 Important

Read this user manual carefully before you use the appliance and keep it for future reference.

- **WARNING:** Do not use this appliance near water.
- When the appliance is used in a bathroom, unplug it after use since the proximity of water presents a risk, even when the appliance is switched off.
- **WARNING:** Do not use this appliance near bathtubs, showers, basins or other vessels containing water.
- Always unplug the appliance after use.
- If the main cord is damaged, you must have it replaced by Philips, a service centre authorised by Philips or similarly qualified persons in order to avoid a hazard.
- This appliance can be used by children aged from 8 years and above and persons with reduced physical, sensory or mental capabilities or lack of experience and knowledge if they have been given supervision or instruction concerning use of the appliance in a safe way and understand the hazards involved. Children shall not play with the appliance. Cleaning and user maintenance shall not be made by children without supervision.
- For additional protection, we advise you to install a residual current device (RCD) in the electrical circuit that supplies the bathroom. This RCD must have a rated residual operating current not higher than 30mA. Ask your installer for advice.



- Before you connect the appliance, ensure that the voltage indicated on the appliance corresponds to the local power voltage.
- Do not use the appliance for any other purpose than described in this manual.
- Do not use the appliance on artificial hair.
- When the appliance is connected to the power, never leave it unattended.
- Never use any accessories or parts from other manufacturers or that Philips does not specifically recommend. If you use such accessories or parts, your guarantee becomes invalid.
- Do not wind the main cord round the appliance.
- Wait until the appliance has cooled down before you store it.
- Pay full attention when using the appliance since it could be extremely hot. Only hold the handle as other parts are hot and avoid contact with the skin.
- Always place the appliance on a heat-resistant, stable flat surface. The hot heating plates should never touch the surface or other flammable material.
- Avoid the main cord from coming into contact with the hot parts of the appliance.
- Keep the appliance away from flammable objects and material when it is switched on.
- Never cover the appliance with anything (e.g. a towel or clothing) when it is hot.
- Only use the appliance on dry hair.
- Do not operate the appliance with wet hands.
- Keep the heating plates clean and free of dust and styling products such as mousse, spray and gel. Never use the appliance in combination with styling products.
- The heating plates has coating. This coating might slowly wear away over time. However, this does not affect the performance of the appliance.

- If the appliance is used on color-treated hair, the heating plates may be stained.
- Always return the appliance to a service centre authorized by Philips for examination or repair. Repair by unqualified people could result in an extremely hazardous situation for the user.
- Do not insert metal objects into the ionizer outlet to avoid electric shock.
- Do not pull on the power cord after using. Always unplug the appliance by holding the plug.
- Burn hazard. Keep appliance out of reach from young children, particularly during use and cool down.

Electromagnetic fields (EMF)

This Philips appliance complies with all applicable standards and regulations regarding exposure to electromagnetic fields.

Recycling

- This symbol means that electrical products shall not be disposed of with normal household waste.
- Follow your country's rules for the separate collection of electrical products.



2 Overview

- ① Display panel
- ② Heating plates
- ③ Power on/off button
- ④ Temperature dial
- ⑤ Hanging loop
- ⑥ Closing lock
- ⑦ Heating mat

3 Before use

- Select your desired setting according to your hair type. Please refer to the below table. Always select a lower setting when you use the straightener for the first time.

Hair Type	Temperature Range	Setting
Thick, coarse, curly, hard-to-straighten	210-230°C	210-230
Normal, medium-textured or softly waved	180-200°C	180-200
Fine, pale, blonde, bleached or color-treated	170°C or below	170 or below

Tips to create better curls:

- Take smaller strands of hair for better results.
- Use hand to flip hair tips over straightener after turning.
- Hold the tip of straightener for better control in turning and pulling through.
- Gently relax the grip on the handle as you pull your hair through.

Note:

- **The ion function is activated when the appliance is switched on, providing additional shine and reduces frizz. You may smell a special odor and hear a sizzling noise. It is common because they are caused by the ion generator.**
- Do not insert the appliance into the pouch while it is still hot.

- **The appliance is equipped with an auto-shut off function. After 30 minutes, the appliance switches off automatically.**

4 Guarantee and service

If you need information e.g. about replacement of an attachment or if you have a problem, please visit the Philips website at www.philips.com.cn/support or contact the Philips Customer Care Centre in your country (you find its phone number in the worldwide guarantee leaflet). If there is no Consumer Care Centre in your country, go to your local Philips dealer.

5 Troubleshooting

Problem	Cause	Solution
The appliance does not work at all.	The power socket to which the appliance has been connected may be broken.	Check the appliance is plugged in correctly. Check the fuse for this power socket in your home.
	The appliance may not be suitable for the voltage to which it has been connected.	Ensure that the voltage indicated on the type plate of the appliance corresponds to the local power voltage.

简体中文

感谢您的惠顾，欢迎光临飞利浦！为了您能充分享受飞利浦提供的支持，请在 www.philips.com.cn/welcome 上注册您的产品。

1 重要信息

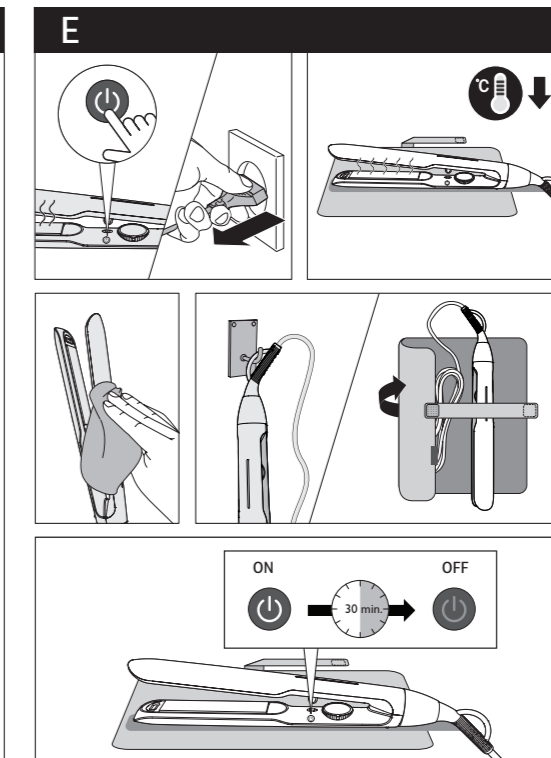
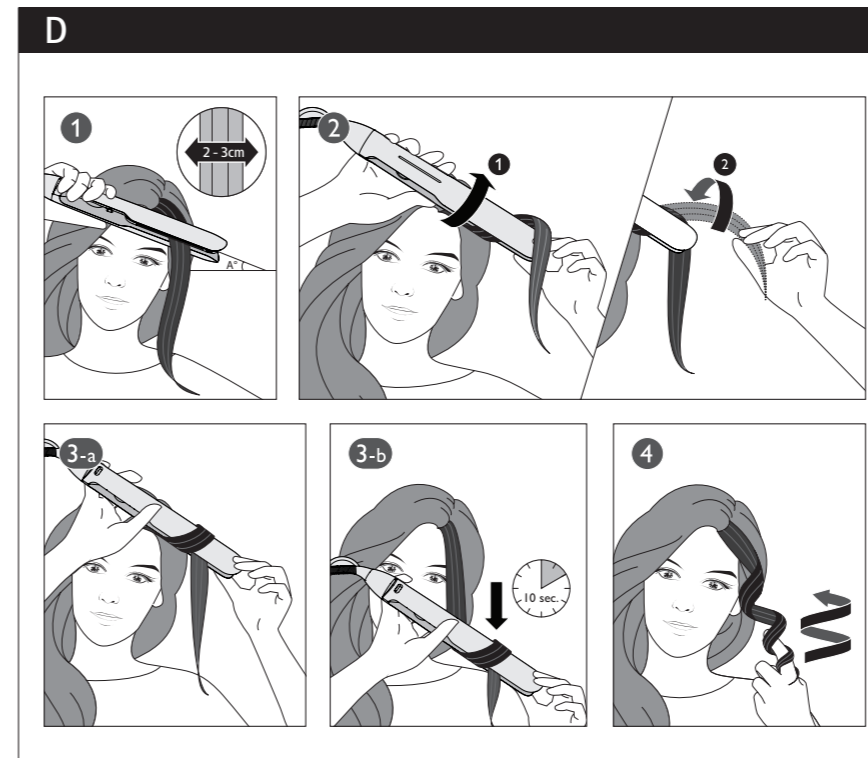
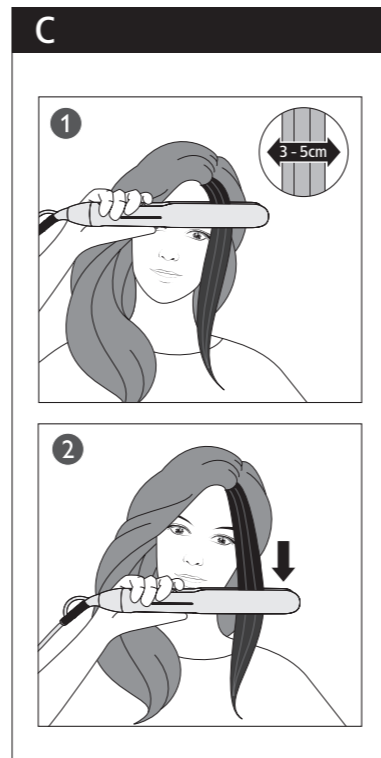
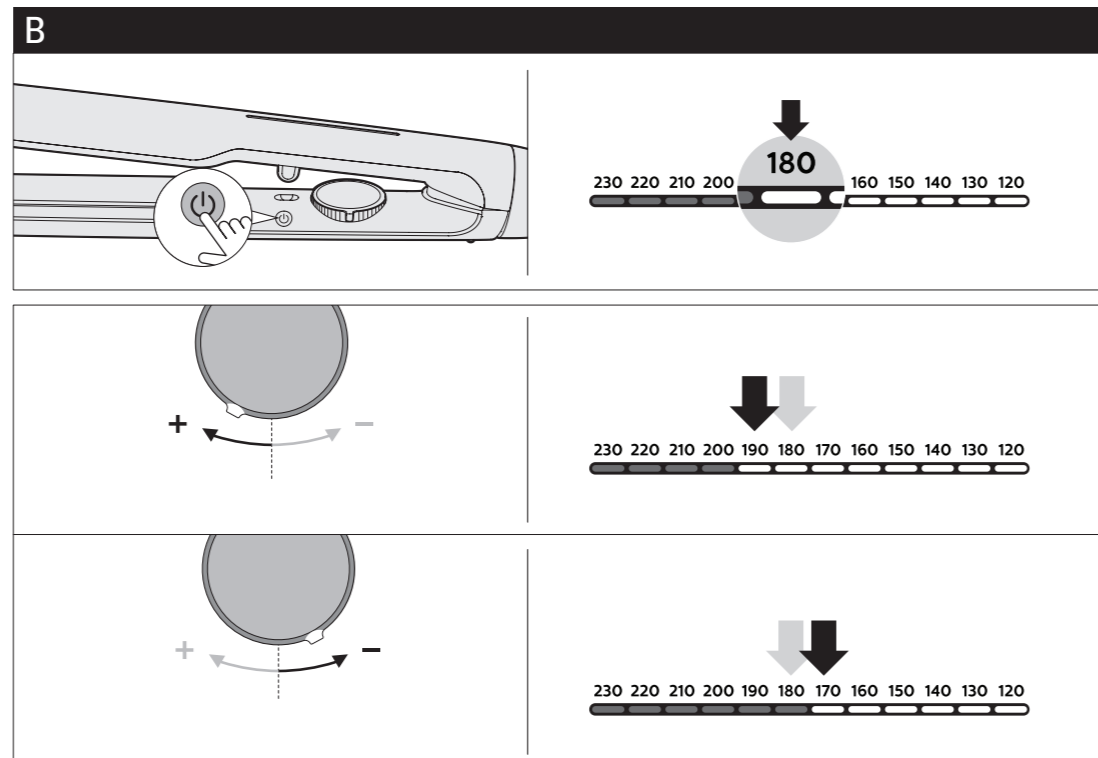
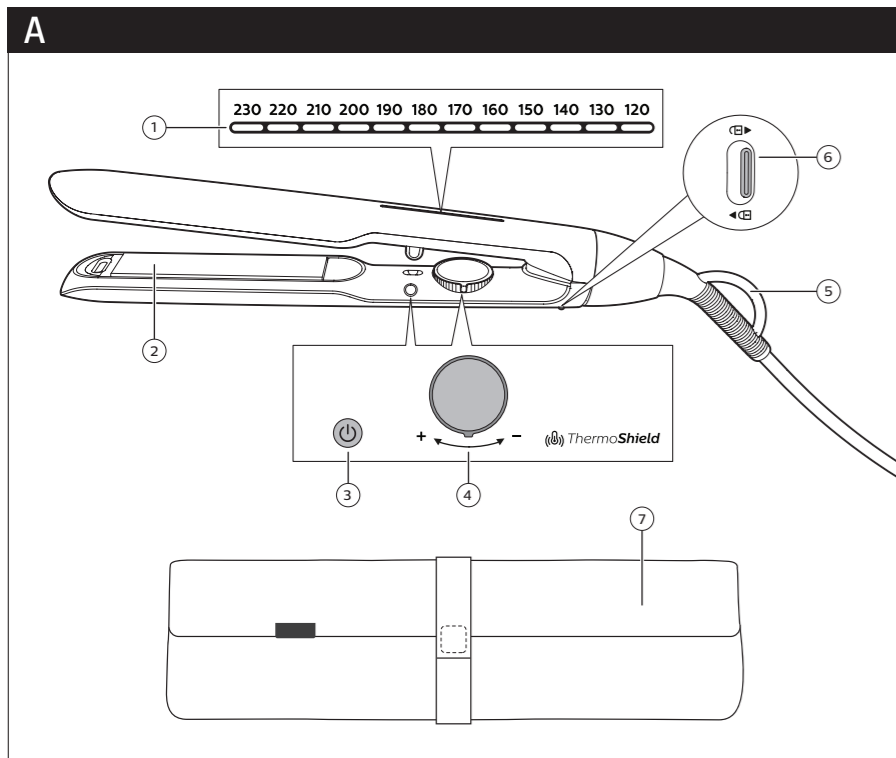
使用产品之前，请仔细阅读本用户手册，并妥善保管以供日后参考。

- **警告：** 请勿在靠近水的地方使用本产品。
- 本产品可在浴室内使用时，使用后拔下插头，因为即使本产品开关断开后，接近水仍存在危险。
- **警告：** 不要在盛水的浴缸、淋浴、洗脸盆或其他器皿附近使用本器具。
- **警告符号注释：** 禁止在洗澡或淋浴时使用。



- 使用后务必拔下产品的插头。
- 如果电源线损坏，为避免危险，必须由飞利浦、飞利浦授权的服务中心或类似的专业技术人员进行更换。
- 本产品适合由 8 岁或以上年龄的儿童以及肢体不健全、感觉或精神上有障碍或缺乏相关经验和知识的人士使用，但前提是有人对他们使用本产品进行监督或指导，以确保他们安全使用，并且让他们明白相关的危害。不得让儿童在无人监督的情况下进行清洁和保养。
- 为了增加保护，建议在浴室供电的电气回路中安装一个额定剩余工作电流不超过 30mA 的剩余电流装置 (RCD)。详情请向安装商咨询。





PHILIPS

产品 : 飞利浦直发器
 型号 : BHS510, BHS515
 额定电压 : 220V~
 额定频率 : 50Hz
 额定输入功率 : 53 W
 生产日期 : 请见产品本体
 产地 : 中国浙江慈溪

飞利浦(中国)投资有限公司
 上海市静安区灵石路718号A1幢
 全国顾客服务热线: 4008 800 008

本产品根据国标 GB4706.1-2005, GB4706.15-2008, GB4343.1-2018及 GB17625.1-2012制造

- 连接产品之前, 请确保产品上标示的电压与当地电源电压相符。
- 请勿将本产品用于本手册中说明以外的任何其它用途。
- 请勿对假发使用本产品。
- 当产品连接了电源时, 切勿让其无人看管。
- 切勿使用由其他制造商生产的, 或未经飞利浦推荐的任何附件或部件。如果使用此类附件或部件, 您的保修将失效。
- 切勿将电源线缠绕在产品上。
- 待产品完全冷却后再存放。
- 由于产品会很烫, 请在使用时多加注意。只能握住手柄, 因为其他部位会很烫, 并且避免与皮肤接触。

- 始终将本产品放置在隔热的平稳表面上。热加热板不得接触表面或其他可燃材料。
- 不要让电源线接触到产品的灼热部分。
- 如果产品已打开, 请使产品远离易燃物体和材料。
- 当产品变热时切勿在其表面覆盖任何物品(如毛巾或衣服)。
- 产品只能用于干的头发。
- 切勿用湿手操作本产品。
- 保持加热板洁净无尘且未粘上定型产品(如摩丝、定型喷剂和发胶)。切勿将本产品与定型产品结合使用。
- 加热板上涂有涂层。此涂层可能会随着时间的推移慢慢磨损。但是, 这并不影响产品的性能。

- 将产品用于染过色的头发时, 加热板可能会染上颜色。
- 产品只能送到飞利浦授权的服务中心检修。由不合格人员进行修理可能将用户置于极度危险的境地。
- 切勿将金属物体插入离子发生器出风口, 以免触电。
- 使用后请勿拉扯电源线。拔下产品插头时, 请握紧插头。
- 烫伤危险。将本产品置于儿童触及不到的地方, 尤其在使用和冷却过程中。

电磁场 (EMF)

本飞利浦产品符合所有有关暴露于电磁场的适用标准和法规。

回收

- 此符号表示电器产品不能与一般的生活垃圾一同弃置。

- 请遵守您所在国家/地区有关分类回收电器产品的规定。

- 2 概览**
- ① 显示面板
 - ② 加热板
 - ③ 开/关按钮
 - ④ 温度旋钮
 - ⑤ 挂环
 - ⑥ 锁扣
 - ⑦ 隔热垫

3 使用前的准备工作

根据您的发质类型选择需要的设置。请参阅下表。首次使用直发器时应始终选择较低的温度设定。

发质类型	温度范围	相应档位
粗发、粗糙、带卷、很难拉直	210-230° C	210-230

正常、中性发质或略卷	180-200° C	180-200
细发、白发、金发、经过漂白或者染过色的头发	170° C 或低于此温度	170 或低于此档位

- 打造更好卷发的提示:**
- 要获得更佳效果, 请取少量发缕。
 - 转动后用手将发梢翻转到直发器上。
 - 握住直发器的尖端, 以便更好地控制转动和拉动。
 - 拉头发时轻轻松开手柄上的握把。
- 注意:**
- 开启产品, 则将启用负离子功能, 令秀发更加闪亮、顺滑。您可能会闻到一种特殊的气味, 或听到滋滋的声音。这是正常现象, 由负离子发生器所致。
 - 产品仍处于高温时, 请勿将产品插入软袋中。
 - 产品配备自动关熄功能。30 分钟后, 产品将自动关闭。

4 保修与服务

如果您需要了解信息(如更换附件的相关信息)或有任何疑问, 请访问飞利浦网站 www.philips.com.cn/support。您也可以与您所在地的飞利浦客户服务中心联系(可从保修卡中找到其电话号码)。如果您所在的国家/地区没有飞利浦客户服务中心, 请向当地的飞利浦经销商求助。

5 故障排除

问题	原因	解决方法
产品完全无法工作。	产品所连接的插座可能已损坏。	检查设备已正确插入。 检查您家中电源插座的保险丝。
产品连接电源电压可能与产品电压不符。	产品连接的电源电压可能与当地电源电压不符。	确保产品型号铭牌上标示的电压与当地电源电压相符。

产品中有害物质的名称及含量

部件名称	有毒有害物质或元素					
	铅 (Pb)	汞 (Hg)	镉 (Cd)	六价铬 (Cr6+)	多溴联苯 (PBB)	多溴二苯醚 (PBDE)
电源线	X	O	O	O	O	O
PTC组件	X	O	O	O	O	O
PCB组件	X	O	O	O	O	O

本表格依据SJ/T 11364的规定编制。

O: 表示该有害物质在该部件所有均质材料中的含量均在GB/T 26572规定的限量要求以下。

X: 表示该有害物质至少在该部件的某一均质材料中的含量超出GB/T 26572规定的限量要求。

*该表格中所显示的“有害物质”在产品正常使用情况下不会对人身和环境产生任何伤害。

*该表格中所显示的“有害物质”及其存在的部件向消费者和回收处理从业者提供相关物质的存在信息, 有助于产品废弃时的妥善处理。

保留备用
 出版日期: 2023-04-25