

Volume diffuser

The volume diffuser has been specially developed to gently dry both straight and curly or wavy hair.

- 1** To connect the volume diffuser, snap it onto the appliance (Fig. 8). To disconnect the volume diffuser, pull it off the appliance.
- 2** To add volume at the roots, insert the pins into your hair in such a way that they touch your scalp (Fig. 9).
- 3** Make rotating movements with the appliance to distribute the warm air evenly through your hair (Fig. 10).

Cleaning

Do not immerse the appliance in water or any other liquid, nor rinse it under the tap.

- 1** Switch off the appliance and unplug it.
- 2** Remove the concentrator or diffuser before you clean the appliance.
- 3** Clean the appliance with a dry cloth.
- 4** Remove hairs and dust from the air inlet grille.
- 5** Clean the concentrator or diffuser with a moist cloth or rinse it under the tap.
- 6** Make sure the concentrator or diffuser is dry before you use or store it.

Storage

Do not wind the mains cord round the appliance.

- 1** Switch off the appliance and unplug it.
- 2** Put the appliance in a safe place and let it cool down.
- 3** You can store the appliance by hanging it from its hanging loop.

Environment

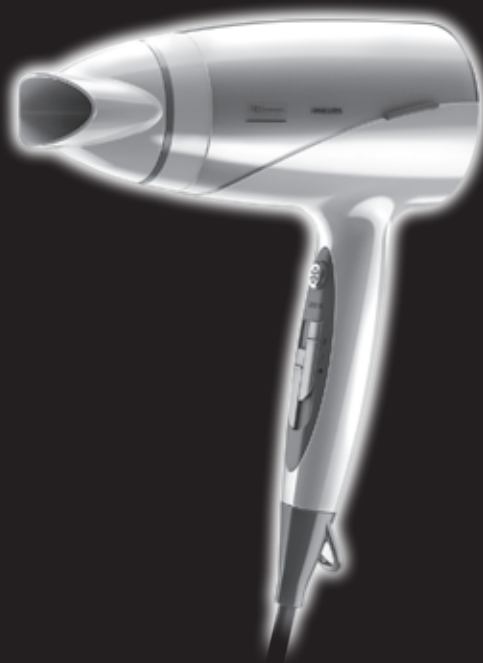
- Do not throw away the appliance with the normal household waste at the end of its life, but hand it in at an official collection point for recycling. By doing this, you help to preserve the environment (Fig. 11).

Guarantee and service

If you need service or information or if you have a problem, please visit the Philips website at www.philips.com or contact the Philips Consumer Care Centre in your country (you find its phone number in the worldwide guarantee leaflet). If there is no Consumer Care Centre in your country, go to your local Philips dealer.

TRESemmé
USED BY PROFESSIONALS


HP8190/07



PHILIPS



www.philips.com

 100% recycled paper
100% papier recyclé

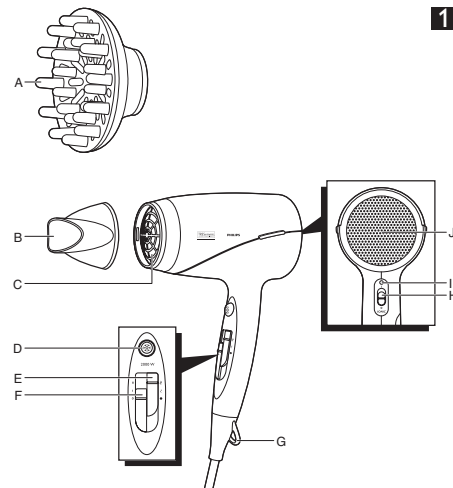
4222.002.7327.1

Introduction

Congratulations on your purchase and welcome to TRESemmé Philips! To fully benefit from the support that Philips offers, register your product at www.philips.com/welcome.

General description (Fig. 1)

- A** Volume diffuser
- B** Concentrator
- C** Air outlet grille
- D** Cool shot button
- E** Temperature slide switch
 - ☿ Hot setting
 - ζ Warm setting
 - ● Cool setting
- F** Airflow slide switch
 - II = Strong airflow for quick drying
 - I = Gentle airflow specially intended for styling
 - 0 = Off
- G** Hanging loop
- H** Ion slide switch
- I** Ion indicator light
- J** Air inlet grille



Important

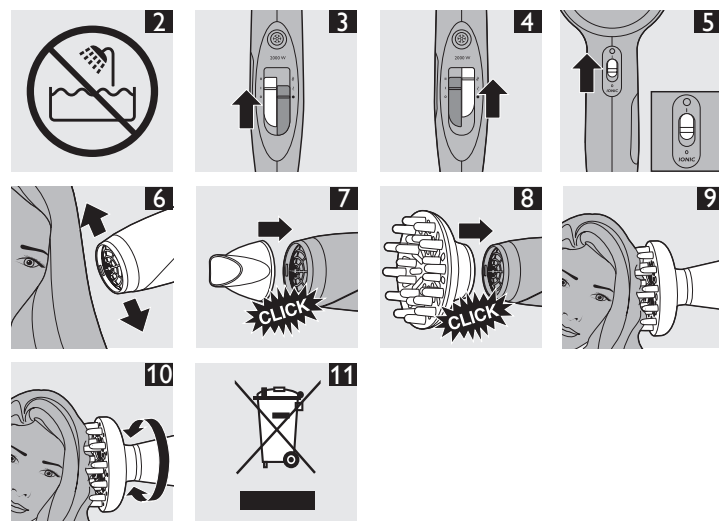
Read this user manual carefully before you use the appliance and save it for future reference.

Warning

- Do not use this appliance near water. Do not use this appliance near bathtubs, showers, basins or other vessels containing water (Fig. 2).
- When you use the appliance in a bathroom, unplug it after use. The proximity of water presents a risk, even when the appliance is switched off.
- Do not insert any objects into the appliance to avoid electric shock.
- Check if the voltage indicated on the appliance corresponds to the local mains voltage before you connect the appliance.
- Check the condition of the mains cord regularly. Do not use the appliance if the plug, the mains cord or the appliance itself is damaged.
- If the mains cord is damaged, you must have it replaced by Philips, a service centre authorised by Philips or similarly qualified persons in order to avoid a hazard.
- This appliance is not intended for use by persons (including children) with reduced physical, sensory or mental capabilities, or lack of experience and knowledge, unless they have been given supervision or instruction concerning use of the appliance by a person responsible for their safety.
- Children should be supervised to ensure that they do not play with the appliance.

Caution

- For additional protection, we advise you to install a residual current device (RCD) in the electrical circuit that supplies the bathroom. This RCD must have a rated residual operating current not higher than 30mA. Ask your installer for advice.
- Never block the air grilles.
- The appliance has a safety function. If the appliance overheats, it switches off automatically. Unplug the appliance and let it cool down for a few minutes. Before you switch on the appliance again, check the grilles to make sure they are not blocked by fluff, hair, etc.
- Always switch off the appliance before you put it down, even if it is only for a moment.
- Always unplug the appliance after use.
- Do not wind the mains cord round the appliance.
- You may notice a characteristic odour when you use this hairdryer. This odour is caused by the ions that are generated and is not harmful to the human body.
- Do not use the appliance on artificial hair.
- Do not use the appliance for any other purpose than described in this manual.
- This appliance is only intended for drying scalp hair.
- Keep the hairdryer clean and free of dust, dirt and styling products such as mousse, spray and gel.
- Never use any accessories or parts from other manufacturers or that are not specifically advised by Philips. If you use such accessories or parts, your guarantee becomes invalid.



Electromagnetic fields (EMF)

This Philips appliance complies with all standards regarding electromagnetic fields (EMF). If handled properly and according to the instructions in this user manual, the appliance is safe to use based on scientific evidence available today.

Using the appliance

Drying

- 1** Put the plug in the wall socket.
- 2** Select the desired airflow setting to switch on the appliance (Fig. 3).
 - Set the slide switch to airflow setting II for ultra-quick drying.
 - Set the slide switch to airflow setting I for drying short hair or styling your hair.
- 3** Set the temperature slide switch to the cool, warm or hot setting (Fig. 4).
 - The hot setting ☿ allows you to dry shower-wet hair very quickly and safely until it is damp.
 - The warm setting ζ is especially suitable for drying damp hair until it is almost dry.
 - The cool setting ● allows you to gently dry hair that is almost dry and helps to seal in shine.
- 4** Switch the ion function on or off with the ion slide switch (Fig. 5).
 - ▶ The ion indicator light goes on to indicate that the ion function has been activated.

The ion function provides additional shine and reduces frizz and static electricity. It is particularly suitable for dry and almost-dry hair.
- 5** Dry your hair by making brushing movements with the hairdryer at a small distance from your hair (Fig. 6).

Tip: When you have finished drying each section, press the cool shot button and direct the cool airflow at your hair. This fixes your style and adds shine.

Concentrator

The concentrator enables you to direct the airflow straight at the brush or comb with which you are styling your hair.

- 1** Snap the concentrator onto the appliance (Fig. 7).
To disconnect the concentrator, pull it off the appliance.