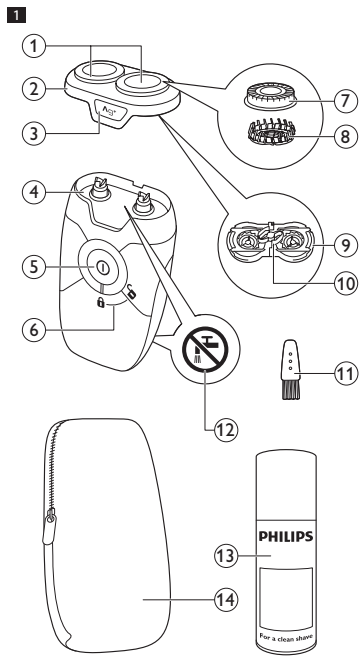


PHILIPS

S210, S205



ENGLISH

General description

- 1 Shaving heads
2 Shaving unit
3 Bracket
4 Hair chamber
5 On/off button
6 Travel lock ring & Travel Lock Icon
7 Guard
8 Cutter
9 Retaining frame
10 Central spring of retaining frame
11 Cleaning brush
12 Non-washable logo
13 Philips Cleaning spray (HQ110) (optional)
14 Travel pouch

Introduction

Congratulations on your purchase and welcome to Philips! To fully benefit from the support that Philips offers, register your product at www.philips.com/welcome.

Please read this user manual, as it contains information about the features of this shaver as well as some tips to make shaving easier and more enjoyable.

Important safety information

Read this important information carefully before you use the appliance and save it for future reference.

Danger

Keep the appliance dry (Fig. 2).

Warning

- The appliance is non-rechargeable. Do not attempt to open, modify or reassemble the appliance. Do not attempt to replace the battery.
- The appliance is not intended for use by persons (including children) with reduced physical, sensory or mental capabilities, or lack of experience and knowledge, unless they have been given supervision or instruction concerning use of the appliance by a person responsible for their safety.
- Children should be supervised to ensure that they do not play with the appliance.

Caution

- This appliance is not washable. Never rinse the appliance in water or rinse it under the tap (Fig. 2).
- Always check the appliance before you use it. Do not use the appliance or any other part if it is damaged, as this may cause injury. Always replace a damaged part with one of the original type.
- Only use this appliance for its intended purpose as shown in the user manual.
- Never use compressed air, scouring pads, abrasive cleaning agents or aggressive liquids such as petrol or acetone to clean the appliance.
- Use and store the appliance at a temperature between 5°C and 35°C.

Electromagnetic fields (EMF)

This Philips device complies with all applicable standards and regulations regarding exposure to electromagnetic fields.

Using the appliance

- 1 Make sure travel lock is in 'unlock' position (Fig. 3). (See chapter, 'Travel lock' about the usage of travel lock.)
2 Press the on/off button to switch on the shaver (Fig. 4).
3 Move the shaving heads over your skin. Make both straight and circular movements (Fig. 5).

Note: Shave on a dry face only. Do not use the shaver in combination with shaving gel, shaving foam or water.

Note: Your skin may need 2 or 3 weeks to get accustomed to the Philips shaving system.

- 4 Press the on/off button to switch off the shaver.

Activate travel lock after every shave to prevent the shaver from being switched on by accident.

- 5 Clean the shaver after every shave. See chapter 'Cleaning and maintenance'.

Travel lock

You can lock the appliance when you are going to travel. The travel lock prevents the appliance from being switched on by accident.

Activating/Deactivating the travel lock

Activating: Switch travel lock ring clockwise to lock position until you hear 'click' (Fig. 3). Deactivating: Switch travel lock ring counterclockwise to unlock position.

The battery

The shaver has a life of 430 minutes of active use. Battery life varies, depending on use and other factors.

Caution: The battery is non-rechargeable and non-replaceable.

Cleaning and maintenance

Note: The accessories supplied may vary for different products. The box shows the accessories that have been supplied with your appliance.

Warning: Never use scouring pads, abrasive cleaning agents or aggressive liquids such as alcohol, petrol or acetone to clean the appliance.

Clean the shaver after every shave to guarantee optimal shaving performance. For the best cleaning result, we advise you to use Philips Cleaning Spray (HQ110). Ask your Philips dealer for information.

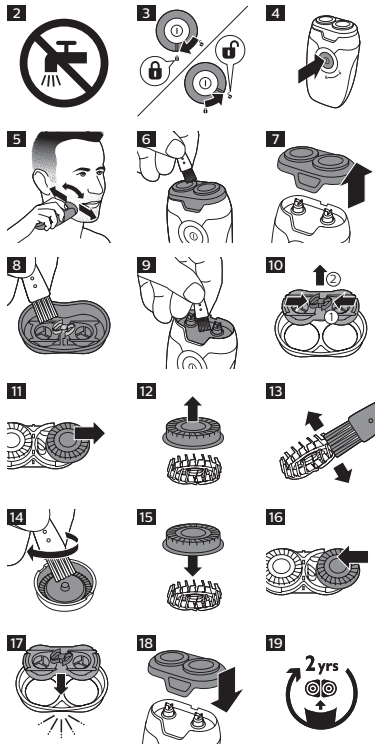
After every shave: shaving unit and hair chamber

- 1 Switch off the shaver.
2 Clean the top of the appliance with the cleaning brush supplied (Fig. 6).
3 Pull the shaving unit straight up to remove it from the shaver (Fig. 7).
4 Clean the inside of the shaving unit with the cleaning brush (Fig. 8).
5 Clean the hair chamber with the cleaning brush (Fig. 9).
6 Put the shaving unit back onto the shaver (Fig. 18).

Every two months: shaving heads

Note: Do not use cleaning agents or alcohol to clean the shaving heads. Only use Philips Cleaning Spray (HQ110).

- 1 Switch off the shaver.
2 Pull the shaving unit straight off the shaver (Fig. 7).



www.philips.com

>75% recycled paper

4222.002.5916.1



## 一般描述

- 1 電鬚刀刀頭
- 2 除毛刀頭組
- 3 支架
- 4 鬚渣室
- 5 開關按鈕
- 6 旅行鎖環與旅行鎖圖示
- 7 刀網
- 8 刀具
- 9 固定架
- 10 固定架的中央彈簧
- 11 清潔刷
- 12 非水洗式標誌
- 13 飛利浦噴霧清潔劑 (HQ110) (選購)
- 14 旅行袋

## 簡介

感謝您購買本產品。歡迎來到飛利浦的世界！為充分享受飛利浦為您提供的好處，請至下列位址註冊產品：[www.philips.com/welcome](http://www.philips.com/welcome)。請閱讀本使用手冊，其中內容不僅說明本電鬚刀的功能，也提供一些秘訣，幫助您享受更加輕鬆、愉快的刮鬚過程。

## 重要安全資訊

使用本產品前，請先仔細閱讀此重要資訊，並保留說明以供日後參考。

## 危險

本產品請保持乾燥 (圖 2)。

## 警示

- 產品為非充電式。請勿嘗試拆開、改造或重新組裝本產品。請勿嘗試更換電池。
- 本產品不適合供下列人士 (包括小孩) 使用：身體官能或心智能力退化者，或是經驗與使用知識缺乏者。他們需要有負責其安全的人員在旁監督，或指示產品的使用方法，方可使用。
- 孩童使用本產品須有人監督，以免孩童將本產品當成玩具。

## 警告

- 本產品不可水洗。切勿將本產品浸入水中或置於水龍頭 (圖 2) 下沖洗。
- 使用前請務必檢查本產品。如有損壞情況，請勿繼續使用該產品或任何其他零件，否則可能導致受傷。零件如有受損，請務必以原型號更換之。
- 本產品僅限用於本使用手冊所述之相關用途。

## Ordering accessories

To buy accessories or spare parts, visit [www.shop.philips.com/service](http://www.shop.philips.com/service) or go to your Philips dealer. You can also contact the Philips Consumer Care Centre in your country.

## Shaving heads

We advise you to replace your shaving heads every two years. Always replace them with Philips shaving heads only. (HQ4+ for China or HQ56 for the rest of the world (Fig. 19)).

## Cleaning

Use Philips Cleaning spray (HQ110) to clean the shaving heads thoroughly.

## Recycling

Do not throw away the product with the normal household waste at the end of its life, but hand it in at an official collection point for recycling. By doing this, you help to preserve the environment.

## Guarantee and support

If you need information or support, please visit [www.philips.com/support](http://www.philips.com/support) or read the separate worldwide guarantee leaflet.

## Guarantee restrictions

The shaving heads (cutters and guards) are not covered by the terms of the international guarantee because they are subject to wear. The battery pack will be guaranteed for 6 months from the date of purchase.

## Troubleshooting

This chapter summarizes the most common problems you could encounter with the appliance. If you are unable to solve the problem with the information below, visit [www.philips.com/support](http://www.philips.com/support) for a list of frequently asked questions or contact the Consumer Care Center in your country.

Problem	Possible cause	Solution
The shaver does not shave as well as it used to.	The shaving heads are dirty. You have not cleaned the shaver well enough or you have not cleaned it for a long time.	Clean the shaver thoroughly before you continue shaving. See chapter 'Cleaning and maintenance'.
	Long hairs obstruct the shaving heads.	Clean the cutters and guards with the cleaning brush supplied. See chapter 'Cleaning and maintenance', section 'Every month: shaving heads'.
	The shaving heads are damaged or worn.	Replace the shaving heads. See chapter 'Replacement'.
	The battery is almost empty.	Replace the shaver.
The shaver does not work when I push the on/off button	The battery is empty.	Replace the shaver.
	The travel lock is in 'lock' position	Turn travel lock to 'unlock' position. See chapter 'Travel lock'.
My skin is irritated after shaving.	Your skin needs time to get used to the Philips shaving system.	Skin irritation during the first 2-3 weeks of use is possible. After this period, the skin irritation usually disappears.

Problem	Possible cause	Solution
The rotation speed of the shaving heads is slower than usual.	Too much dirt has collected in the shaving heads.	Clean the shaving heads. See chapter 'Cleaning and maintenance'.
	The battery is empty.	Replace the shaver.
The appliance makes a strange noise.	Too much dirt has collected in the shaving heads.	Clean the shaving heads. After cleaning, lubricate the central point on the inside of the guards with Philips Cleaning Spray (HQ110). See chapter 'Cleaning and maintenance'.
	The shaving heads are damaged or worn.	Replace the shaving heads. See chapter 'Replacement'.
Shaver provides less than 430min shaving minutes.	If you have a heavy beard, the shaver may provide less than 430 shaving minutes. The number of shaving minutes may also vary over time, depending on your shaving behavior, cleaning habits and beard type.	

- 3 Push the sides of the central spring towards each other and lift the retaining frame out of the shaving unit (Fig. 10).
- 4 Slide the shaving heads out of the retaining frame. Remove and clean one shaving head at a time. Each shaving head consists of a cutter and a guard (Fig. 11).

Note: Do not clean more than one cutter and shaving guard at a time, they are all matching sets. If you accidentally put a cutter in the wrong shaving guard, it may take several weeks before optimal shaving performance is restored.

- 5 Remove the guard from the cutter (Fig. 12).
- 6 Clean the cutter with the cleaning brush. Brush carefully in the direction of the arrows (Fig. 13).
- 7 Clean the guard with the cleaning brush (Fig. 14).
- 8 Put the cutter back into the guard (Fig. 15).
- 9 Slide the shaving heads back into the retaining frame (Fig. 16).
- 10 Put the retaining frame back into the shaving unit ('click' (Fig. 17)).
- 11 Put the shaving unit back onto the shaver (Fig. 18).

## Storage

Store the appliance in a safe, dry place at a temperature between 5°C and 35°C.

- 1 Switch off the shaver.
- 2 Activate travel lock.

**Caution: To avoid battery performance loss in extremely high or low temperature, it is not recommended to store the appliance in a car.**

## Replacement

Replace the shaving heads every two years for optimal shaving results. Replace damaged or worn shaving heads with Philips shaving heads only (HQ4+ for China or HQ56 for the rest of the world).

For instructions on how to remove the shaving heads, see chapter, 'Cleaning and maintenance', section, 'Every month: shaving heads'.

- 絕對不可使用壓縮空氣、鋼絲絨、磨蝕性的清潔劑或侵蝕性的液體 (例如汽油或丙酮) 清潔本產品。
- 請於 5° C 到 35° C 間使用並存放本產品。

## 電磁波 (EMF)

本飛利浦裝置符合所有電磁波暴露的相關適用標準和法規。

## 使用本產品

- 1 確定旅行鎖在「開」(unlock) 位置 (圖 3)。(有關旅行鎖的使用方式，請參閱「旅行鎖」單元。)
- 2 按下開/關 (On/Off) 按鈕，開啟電鬚刀 (圖 4) 電源。
- 3 讓電鬚刀刀頭在皮膚上移動。請同時用直線及畫圓的方式來移動 (圖 5)。  
**注意：**僅可乾刮。使用電鬚刀時，請勿搭配刮鬚凝露、刮鬚泡或水。
- 4 按下開/關 (On/Off) 按鈕，關閉電鬚刀電源。  
**注意：**您的皮膚可能需要 2 到 3 週的時間才能完全適應飛利浦電鬚刀系統。
- 5 每次刮鬚後均需清潔電鬚刀。請參閱「清潔與維護」單元。

## 旅行鎖

外出旅行時，可以設定鎖住本產品。旅行鎖可防止本產品意外開啟電源。啟動/解除旅行鎖

啟動：順時針轉動旅行鎖到「鎖定」位置，直到聽到「喀噠」(圖 3) 為止。  
解除：逆時針轉動旅行鎖到「開」的位置。

## 電池

此刮鬚刀可使用 430 分鐘。電池使用時間會依使用情況及其他因素而有所不同。

**警告：**電池為非充電式，亦無法更換。

## 清潔與維護

隨附配件可能隨產品而異。包裝盒會顯示您產品隨附的配件。

**警告：**切勿使用鋼絲絨、磨蝕性的清潔劑或侵蝕性的液體 (例如酒精、汽油或丙酮) 清潔本產品。

每次刮鬚後清潔電鬚刀，以維持較佳的刮鬚效能。為達到最理想的清潔效果，我們建議您使用飛利浦噴霧清潔劑 (HQ110)。詳細資訊請洽詢飛利浦經銷商。

## 每次刮鬚後：清理電鬚刀組及鬚渣室

- 1 請關閉電鬚刀電源。
- 2 使用隨附 (圖 6) 的清潔刷清潔產品上方。

- 3 從電鬚刀 (圖 7) 中垂直抽出電鬚刀組。
- 4 使用隨附的清潔刷 (圖 8) 清潔刮鬚刀頭組內部。
- 5 使用清潔刷 (圖 9) 清潔鬚渣室。
- 6 將電鬚刀組裝回電鬚刀 (圖 18) 上。

## 每兩個月：電鬚刀刀頭

**注意：**請勿使用清潔劑或酒精清潔電鬚刀刀頭，務必使用飛利浦噴霧清潔劑 (HQ110)。

- 1 請關閉電鬚刀電源。
- 2 從電鬚刀 (圖 7) 中垂直抽出電鬚刀組。
- 3 將中央彈簧的兩側朝中間推壓，然後提起固定架將電鬚刀組 (圖 10) 取出。
- 4 將電鬚刀刀頭推出固定架外。一次取下並清洗一個刀頭。每個電鬚刀刀頭都是由刀具和刀網 (圖 11) 組成。  
**注意：**刀具及電鬚刀刀網是成對組合，請勿一次清潔超過一組。如果您不小心將刀片放進錯誤的電鬚刀刀網中，可能要花幾週的時間才能恢復最理想的刮鬚效果。
- 5 取下刀具 (圖 12) 的刀網。
- 6 使用隨附的清潔刷清潔刀片。請朝箭頭 (圖 13) 方向小心刷動。
- 7 用清潔刷 (圖 14) 清潔刀網。
- 8 將刀片放回刀網 (圖 15) 中。
- 9 將電鬚刀刀頭推回固定架 (圖 16) 中。
- 10 將固定架裝回電鬚刀組 (會聽見「喀噠」(圖 17) 一聲)。
- 11 將電鬚刀組裝回電鬚刀 (圖 18) 上。

## 收納

將產品放置在安全、乾燥、溫度介於 5° C 至 35° C 的地方。

- 1 請關閉電鬚刀電源。
- 2 啟動旅行鎖。

**警告：**為避免電池效能在極高溫或極低溫環境下衰退，不建議將產品存放在車內。

## 更換

每隔兩年更換一次電鬚刀刀頭，以確保維持最佳的刮鬚效果。  
損壞或用舊的刀頭限以飛利浦電鬚刀刀頭替換 (中國為 HQ4+，其他國家/地區為 HQ56)。  
有關如何取下電鬚刀刀頭的說明，請參閱「清潔與維護」單元之「每月：電鬚刀刀頭」一節。

## 訂購配件

若要購買配件或備用零件，請造訪 [www.shop.philips.com/service](http://www.shop.philips.com/service)，或洽詢您的飛利浦經銷商。您也可以聯絡您所在國家/地區的飛利浦客戶服務中心。

## 電鬚刀刀頭

我們建議您每兩年更換一次電鬚刀刀頭。更換時請一律使用飛利浦電鬚刀刀頭。(中國為 HQ4+，其他國家/地區 (圖 19) 為 HQ56)。

## 清潔

使用飛利浦噴霧清潔劑 (HQ110) 徹底清潔電鬚刀刀頭。

## 回收

本產品使用壽命結束時請勿與一般家庭廢棄物一併丟棄。請將該產品放置於政府指定的回收站，此舉能為環保盡一份心力。

## 保固與支援

如需資訊或支援，請造訪：[www.philips.com/support](http://www.philips.com/support)，或另行參閱全球保證書。

## 保固限制

電鬚刀刀頭 (刀具和刀網) 由於其耗損性，因此不在全球保固範圍內。  
電池組保固期為購買日期起內 6 個月。

## 疑難排解

本章概述了使用本產品最常遇到的問題。如果無法利用以下資訊解決遇到的問題，請造訪 [www.philips.com/support](http://www.philips.com/support) 瀏覽常見問題清單，或聯絡您所在國家/地區的飛利浦客戶服務中心。

問題	可能原因	解決方法
電鬚刀不像平常一樣運作。	電鬚刀刀頭髒污。 電鬚刀清潔不夠徹底或是太久沒有清潔。	在您繼續刮鬚之前，請徹底清潔電鬚刀。請參閱「清潔與維護」單元。
	長鬚鬚卡住電鬚刀刀頭。	請使用隨附的清潔刷清潔刀具及刀網。請參閱「清潔與維護」單元之「每月：電鬚刀刀頭」一節。
	電鬚刀刀頭毀壞或磨損。	更換刀頭。請參閱「更換」單元。
	電池已幾乎沒電。	更換刮鬚刀。
我按下開關按鈕時，電鬚刀沒有反應	電池電量完全耗盡。	更換刮鬚刀。

問題	可能原因	解決方法
	旅行鎖在鎖定「鎖定」(lock) 位置	將旅行鎖推回「開」(unlock) 位置。請參閱「旅行鎖」單元。
刮鬚之後，皮膚感到刺痛。	您的皮膚需要一些時間才能適應飛利浦電鬚刀系統。	開始使用的第 2 到 3 週，皮膚可能會有過敏現象。過了這段時間，皮膚過敏的症狀通常會消失。
刀頭的旋轉速度比平常緩慢。	過多污垢累積在電鬚刀刀頭中。	清潔刀頭。請參閱「清潔與維護」單元。
	電池電量完全耗盡。	更換刮鬚刀。
產品發出奇怪的噪音。	過多污垢累積在電鬚刀刀頭中。	清潔刀頭。清潔後，請使用飛利浦噴霧清潔劑 (HQ110) 潤滑刀網內側的中心點。請參閱「清潔與維護」單元。
	電鬚刀刀頭毀壞或磨損。	更換刀頭。請參閱「更換」單元。
可提供的刮鬚時間少於 430 分鐘。	若您的鬚鬚濃密，電鬚刀的刮鬚時間可能少於 430 分鐘。此外，由於刮鬚方式、清潔習慣和鬚鬚類型不同，可使用時間也可能會隨著時日改變。	