

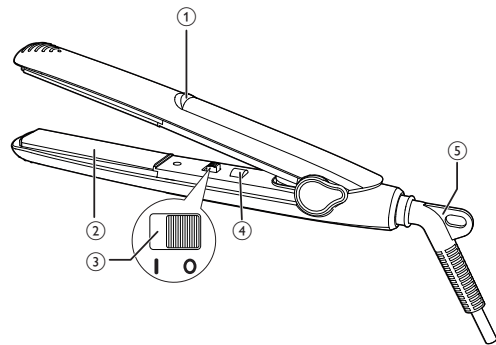
HP8302
HP8303
HP8304



EN User manual

ZH-CN 用户手册

PHILIPS




English

Congratulations on your purchase, and welcome to Philips!
To fully benefit from the support that Philips offers, register your product at www.philips.com/welcome.

1 Important

Read this user manual carefully before you use the appliance and keep it for future reference.

- **WARNING:** Do not use this appliance near water.
- When the appliance is used in a bathroom, unplug it after use since the proximity of water presents a risk, even when the appliance is switched off.
- **WARNING:** Do not use this appliance near bathtubs, showers, basins or other vessels containing water. 
- Always unplug the appliance after use.
- If the mains cord is damaged, you must have it replaced by Philips, a service centre authorised by Philips or similarly qualified persons in order to avoid a hazard.
- This appliance can be used by children aged from 8 years and above and persons with reduced physical, sensory or mental capabilities or lack of experience and knowledge if they have been given supervision or instruction concerning use of the appliance in a safe way and understand the hazards involved. Children shall not play with the appliance. Cleaning and user maintenance shall not be made by children without supervision.
- Before you connect the appliance, ensure that the voltage indicated on

the appliance corresponds to the local power voltage.


- Do not use the appliance for any other purpose than described in this manual.
- When the appliance is connected to the power, never leave it unattended.
- Never use any accessories or parts from other manufacturers or that Philips does not specifically recommend. If you use such accessories or parts, your guarantee becomes invalid.
- Do not wind the mains cord round the appliance.
- Wait until the appliance has cooled down before you store it.
- Pay full attention when using the appliance since it could be extremely hot. Only hold the handle as other parts are hot and avoid contact with the skin.
- Always place the appliance with the stand on a heat-resistant, stable flat surface. The hot heating plates should never touch the surface or other flammable material.
- Avoid the mains cord from coming into contact with the hot parts of the appliance.
- Keep the appliance away from flammable objects and material when it is switched on.
- Never cover the appliance with anything (e.g. a towel or clothing) when it is hot.
- Only use the appliance on dry hair. Do not operate the appliance with wet hands.

- Keep the heating plates clean and free of dust and styling products such as mousse, spray and gel. Never use the appliance in combination with styling products.
- The heating plates has coating. This coating might slowly wear away over time. However, this does not affect the performance of the appliance.
- If the appliance is used on color-treated hair, the heating plates may be stained. Before using it on artificial hair, always consult their distributor.
- Always return the appliance to a service centre authorized by Philips for examination or repair. Repair by unqualified people could result in an extremely hazardous situation for the user.
- Do not insert metal objects into openings to avoid electric shock.
- Do not pull on the power cord after using. Always unplug the appliance by holding the plug.

Electromagnetic fields (EMF)

This Philips appliance complies with all applicable standards and regulations regarding exposure to electromagnetic fields.

Environment

Do not throw away the appliance with the normal household waste at the end of its life, but hand it in at an official collection point for recycling. By doing this, you help to preserve the environment. 

2 Straighten your hair

- 1 Connect the plug to a power supply socket.
- 2 Slide the on/off switch (③) to I to switch on the appliance.
 - ↳ The power-on indicator (④) lights up.
 - ↳ After 60 seconds, the appliance heats up.
- 3 Comb your hair and take a section that is not wider than 5cm for straightening.
- 4 Place the selected hair strand between the straightening plates (②) and press the handles firmly together.

Warning

- Hold the handle only behind the thumb rest rib (①).
- Do not touch the tips of the straightener as it is hot and may cause instant burns.
- Do not touch other parts until it was completely cool down.

5 Slide the straightener down the length of the hair in a single motion (max. 5 seconds) from root to end, without stopping to prevent overheating.

• To create flicks, slowly turn the straightener half-circle inwards (or outwards) when it reaches the hair ends..

6 To straighten the rest of your hair, repeat steps 3 to 5.

3 After use

- 1 Switch off the appliance and unplug it.
- 2 Place it on a heat-resistant surface until it cools down.
- 3 Clean the appliance and straightening plates by damp cloth.
- 4 Keep it in a safe and dry place, free of dust. You can also hang it with the hanging loop (⑤).

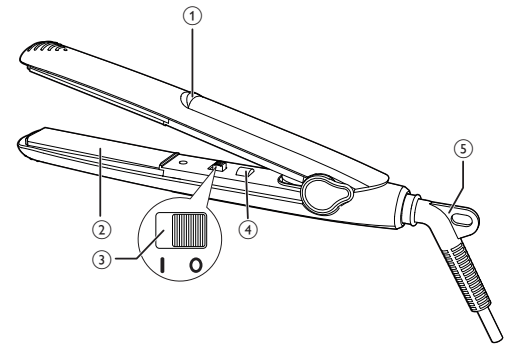
4 Guarantee and service

If you need information e.g. about replacement of an attachment or if you have a problem, please visit the Philips website at www.philips.com or contact the Philips Customer Care Centre in your country (you find its phone number in the worldwide guarantee leaflet). If there is no Consumer Care Centre in your country, go to your local Philips dealer.

5 Troubleshooting

Problem	Cause	Solution
The appliance does not work at all.	The power socket to which the appliance has been connected may be broken.	Check the appliance is plugged in correctly. Check the fuse for this power socket in your home.
	The appliance may have overheated and switched itself off.	Unplug the appliance and let it cool down for a few minutes. Before you switch on the appliance again, check the grilles to make sure they are not blocked by fluff, hair, etc.
	The appliance may not be suitable for the voltage to which it has been connected.	Ensure that the voltage indicated on the type plate of the appliance corresponds to the local power voltage.





简体中文

感谢您的惠顾，欢迎光临飞利浦！为了您能充分享受飞利浦提供的支持，请在 www.philips.com.cn/welcome 上注册您的产品。

1 重要事项

使用产品之前，请仔细阅读本用户手册，并妥善保管以供日后参考。

- 警告：请勿在靠近水的地方使用本产品。
- 本产品仅在浴室内使用时，使用后拔下插头，因为即使本产品开关断开后，接近水仍存在危险。
- 警告：不要在盛水的浴缸、淋浴、洗脸盆或其他器皿附近使用本器具。

- 警告符号注释：禁止在洗澡或淋浴时使用。
- 使用后务必拔下产品的插头。
- 如果电源线损坏，为避免危险，必须由飞利浦、飞利浦授权的服务中心或类似的专职人员来更换。
- 本产品适合由 8 岁或以上年龄的儿童以及肢体不健全、感觉或精神上有所障碍或缺乏相关经验和知识的人士使用，但前提是有人对他们使用本产品进行监督或指导，以确保他们安全使用，并且让他们明白相关的危害。不得让儿童玩耍本产品。不要让儿童在无人监督的情况下进行清洁和保养。
- 连接产品之前，请确保产品上标示的电压与当地电源电压相符。
- 请勿将本产品用于本手册中说明以外的任何其它用途。
- 当产品连接了电源时，切勿让其无人看管。
- 切勿使用由其它制造商生产的，或未经飞利浦特别推荐的任何附件或部件。如果使用此类附件或部件，您的保修将失效。
- 切勿将电源线缠绕在产品上。
- 待产品完全冷却后再存放。
- 由于产品会很烫，请在使用时多加注意。只能握住手柄，因为其他部位会很烫，并且避免与皮肤接触。
- 始终将本产品放置在隔热的平稳表面上。热加热板不得接触物体表面或其他可燃材料。
- 不要使电源线接触到产品的灼热部分。



- 如果产品已打开，请使产品远离易燃物体和材料。
- 当产品变热时切勿在其表面覆盖任何物品（如毛巾或衣服）。
- 产品只能用于干的头发。切勿用湿手操作本产品。
- 保持加热板洁净无尘且未粘上定型产品（如摩丝、定型喷剂和发胶）。切勿将本产品与定型产品结合使用。
- 加热板上涂有涂层。此涂层可能会随着时间的推移慢慢磨损。但是，这并不影响产品的性能。
- 将产品用于染过色的头发时，加热板可能会染上颜色。将产品用于假发之前，务必先咨询其经销商。
- 产品只能送到飞利浦授权的服务中心检修。由不合格人员进行修理可能将用户置于极度危险的境地。
- 切勿将金属物体插入开口中，以免触电。
- 使用后请勿拉扯电源线。拔下产品插头时，请握紧插头。

电磁场 (EMF)

本飞利浦产品符合所有有关暴露于电磁场的适用标准和法规。

环境

弃置产品时，请不要将其与一般生活垃圾堆放在一起，应将其交给政府指定的回收中心。这样做有利于环保。

2 拉直头发

- 将插头连接至电源插座。
- 将电源开/关 (③) 滑至 I 以打开产品。

➔ 电源指示灯 (④) 将亮起。

➔ 60 秒钟后，产品将加热。

3 梳理头发，取一绺宽度不超过 5 厘米的头发进行拉直。

4 将这绺头发放在直发夹板之间 (②)，然后用力将手柄按拢。

警告

- 持握手柄时，请仅握住拇指位置后方 (①)。
- 请勿接触直发器的尖端，因为温度高可能会导致灼伤。
- 请勿接触直发器其它部分直至其完全冷却。

5 从发根至发梢，将直发器顺着头发往下拉（不要超过 5 秒钟），动作要流畅，不要停顿，以免过热灼伤头发。

要制作发梢卷曲造型，请在直发器到达发梢时，向内侧（或外侧）缓慢卷半圈。

6 要拉直头发的其余部分，重复步骤 3 至 5 即可。

3 使用后

1 关闭产品并拔下电源插头。

2 将产品置于隔热表面上，直至其冷却。

3 用湿布清洁本产品和直发夹板。

4 将产品存放在安全、干燥、清洁的位置。您也可以使用挂环 (⑤) 将产品挂起存放。

4 保修与服务

如果您需要了解信息（如更换附件的相关信息）或有任何疑问，请访问飞利浦网站 www.philips.com.cn。您也可以与您所在地的飞利浦客户服务中心联系（可从保修卡中找到其电话号码）。如果您所在的国家/地区没有飞利浦客户服务中心，请向当地的飞利浦经销商求助。

5 故障排除

问题	原因	解决方法
产品完全无法工作。	产品所连接的电源插座可能已损坏。	检查设备是否正确插入。 检查您家中电源插座的保险丝。
	产品可能过热，因此自动断电。	拔掉产品插头，让其冷却几分钟。 再次打开产品电源之前，请检查出口，确保没有被绒毛、头发等杂物堵塞。
	产品连接的电源电压可能与产品电压不符。	确保产品型号铭牌上标示的电压与当地电源电压相符。

保留备用
出版日期：2014-11-12

PHILIPS

产品	: 飞利浦直发造型器
型号	: HP8302
额定电压	: 220V~
额定频率	: 50Hz
额定输入功率	: 33 W
生产日期	: 请见产品本体
产地	: 中国广东深圳



飞利浦（中国）投资有限公司
上海市天目西路218号1602-1605
全国顾客服务热线：4008 800 008

本产品根据国标 GB4706.1-2005, GB4706.15-2008, GB4343.1-2009及 GB17625.1-2012制造