

**PHILIPS**

**NORELCO**

NT1605, NT1715



BC

Specifications are subject to change without notice.

© 2023 Koninklijke Philips N.V.

All rights reserved.

Las especificaciones están sujetas a modificaciones sin previo aviso.

© 2023 Koninklijke Philips N.V.

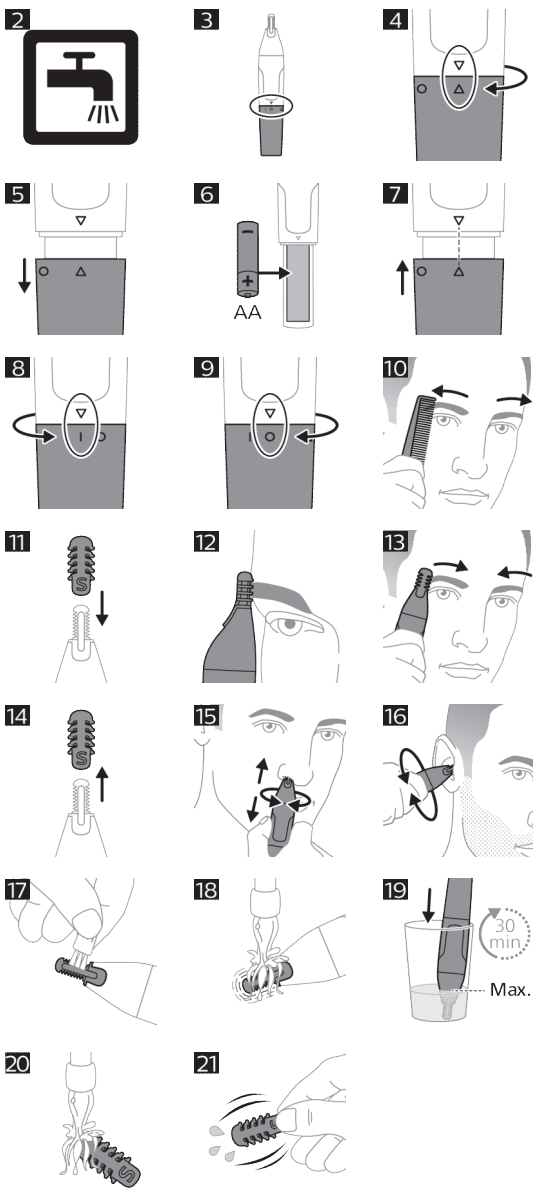
Todos los derechos reservados.

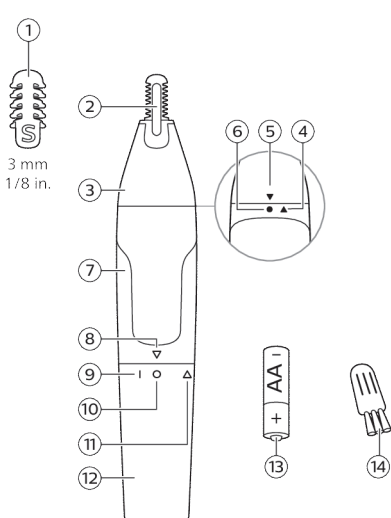
4222.002.9248.3 (11/20/2023)



>75 % recycled paper

>75 % papier recyclé





English

# IMPORTANT SAFETY INSTRUCTIONS

When using an electric product, basic precautions should always be followed, including the following:

**Read all instructions before using this product.**

## WARNING

**To reduce the risk of burns, fire, electric shock, or injury to persons:**

- Use product only in dry condition. Do not use while bathing or in a shower.
- This product is not intended for use by persons (including children) with reduced physical, sensory or mental capabilities, or lack of experience and knowledge, unless they have been given supervision or instruction concerning use of the product by a person responsible for their safety. Children should be supervised to ensure that they do not play with the product.
- Use this product only for its intended household use as described in this manual. Misuse can lead to hazards or serious injuries. Do not use attachments not recommended by Philips North America LLC. Accessories supplied may vary for different products.
- Never drop or insert any object into any opening.
- Never operate this product if it is not working properly, after it has been dropped or damaged, or after the product has been dropped into water. For assistance call 1-800-243-3050 (US) or 1-866-800-9311 (Canada).
- Do not use this product outdoors or operate where aerosol (spray) products are being used or where oxygen is being administered.
- Always check cutting units and other attachments and accessories before you use the product. Never use the product with a damaged cutting unit, attachment or accessory, as injury may occur.
- Only use the accessories supplied with the product.
- Only use original Philips accessories or consumables.
- Only operate this product on disposable 1.5 V AA alkaline batteries.
- Do not recharge non-rechargeable batteries.
- Keep product and batteries away from fire and do not expose them to direct sunlight or high temperatures.
- If the product becomes abnormally hot or smelly, or changes color, stop using the product and contact Philips.
- Do not place products and their batteries in microwave ovens or on induction cookers.

- Do not modify, pierce, damage or dismantle the product or battery to prevent batteries from heating up or releasing toxic or hazardous substances. Do not short-circuit, overcharge or reverse charge batteries.
- If batteries are damaged or leaking, avoid contact with the skin or eyes. If this occurs, immediately rinse well with water and seek medical care.
- When you handle batteries, make sure that your hands, the product and the batteries are dry.
- Insert batteries with the + and - poles pointing in the direction indicated in the battery compartment or holder.
- Do not mix different brands and types of batteries, do not mix new and used batteries and do not use batteries with different date codes.
- Remove batteries from the product if you are not going to use it for some time.
- To avoid accidental short-circuiting of batteries after removal, do not let battery terminals come into contact with metal objects (e.g. coins, hairpins, rings). Do not wrap batteries in aluminum foil. Tape battery terminals or put batteries in a plastic bag before you discard them.
- Do not leave empty disposable batteries inside the product.

## SAVE THESE INSTRUCTIONS

### IMPORTANT INFORMATION

- Rinse the cutting element of the trimming head with lukewarm water after each use (Fig. 2).
- Be careful to always keep the cutting element away from eyes and eyelashes.
- For hygienic reasons, the product should only be used by one person.
- Apply gentle pressure. Pressing too hard may cause skin irritation, and the trimmer will not function properly.
- Do not use trimmer on sensitive areas or irritated skin.

### Introduction

Congratulations on your purchase and welcome to Philips Norelco!

To fully benefit from the support that Philips Norelco offers, register your product at [www.norelco.com/register](http://www.norelco.com/register).

You can find the model number printed inside the battery compartment. You can access the battery compartment by removing the lower part of the handle.

The full model number (e.g. NT1234/56) is located on the bottom of the packaging, your receipt or order confirmation.

### General Description (Fig.1)

- 1 Short eyebrow guard (1/8 in./3 mm)
- 2 Cutting element
- 3 Trimming head
- 4 'Unlocked' indication
- 5 Locking indicator
- 6 'Locked' indication
- 7 Handle
- 8 Setting indicator
- 9 'On' indication
- 10 'Off' indication
- 11 'Open' indication
- 12 Battery compartment cover
- 13 AA battery
- 14 Cleaning brush

### Preparing for use

#### Placing the battery

Note: Make sure your hands and product are dry when inserting the battery.

- 1 To remove the battery compartment cover, turn it clockwise (Fig. 3) until the setting indicator points to the 'unlocked' indication (^) (Fig. 4).
- 2 Pull the battery compartment cover off the handle (Fig. 5).
- 3 Put the battery in the battery compartment (Fig. 6).  
Make sure the + and - poles of the battery point in the right direction.

Note: The product operates on one disposable 1.5 V AA alkaline battery (included).

- 4 Slide the battery compartment cover back onto the handle (Fig. 7).
- 5 Turn the battery compartment cover counterclockwise until the setting indicator points to the 'off' indication (0) (Fig. 8).

## Using the product

Use the product for the following purposes:

- Trimming your nose and ear hair with the cutting element of the trimming head.
- Trimming your eyebrows with the eyebrow guard attached to the cutting element of the trimming head.

Note: The nose trimmer is not designed to clean-shave your nostrils or ear channels, but to cut the hairs to a shorter length. Nose and ear hairs have important protective functions and should not be fully removed.

## Switching the product on and off

- 1 To switch on the product, turn the battery compartment cover counterclockwise until the setting indicator aligns with the 'on' indication (I) (Fig. 8).
- 2 To switch off the product, turn the battery compartment cover clockwise until the setting indicator aligns with the 'off' indication (0) (Fig. 9).

## Trimming eyebrows with the eyebrow guard

- 1 Comb your eyebrows in the direction of hair growth (Fig. 10).
- 2 Make sure the product is switched off. Slide the eyebrow guard onto the cutting element (Fig. 11). The short eyebrow guard trims the hairs to a length of 1/8 in./3 mm.

Note: Make sure the guard clicks into place.

- 3 Switch on the product (Fig. 8).
- 4 Place the trimmer in a position perpendicular to your face. Make sure that the back of the guard lies flat on the skin (Fig. 12).
- 5 Slowly move the trimmer against the hair growth direction (Fig. 13). Press lightly and make sure that the flat surface of the guard always stays in contact with the skin.
- 6 Clean thoroughly after each use (see 'Cleaning').

## Trimming nose hair

Make sure both the product and nasal passages are clean before trimming. Dried nasal mucus can block the cutting element, preventing the product from turning on.

Note: If there is an eyebrow guard attached to the cutting element, remove it before trimming nose or ear hair. (Fig. 14)

- 1 Switch on the product (Fig. 8).
- 2 Carefully insert the cutting element into one of your nostrils.

Be careful not to insert the cutting element too deep into the nostrils (max. 15/32 in./12 mm).

- 3 Move the cutting element in and out of the nostril in a firm, rotary motion to cut the hairs to a shorter length (Fig. 15). Make sure that the cutting teeth touch the hair by rotating the cutting element inside your nostril. While rotating you may hold the flat side of the trimmer against the skin to reduce any tickling effect that might occur.
- 4 Clean thoroughly after each use (see 'Cleaning').

## Trimming ear hair

Make sure your outer ear channels are clean and free from wax.

Note: If there is an eyebrow guard attached to the cutting element, remove it before trimming nose or ear hair. (Fig. 14)

- 1 Switch on the product (Fig. 8).
- 2 Slowly move the cutting element along the rim of the ear to remove hairs that stick out beyond the rim.
- 3 Carefully insert the cutting element into the outer ear channel. Move the tip in and out of the outer ear channel in a firm, rotary motion to cut the hairs to a shorter length (Fig. 16).

Do not insert the cutting element too deep into your ear channel, as this could damage the eardrum (max. 15/32 in./12 mm).

- 4 Clean thoroughly after each use (see 'Cleaning').

## Cleaning

Clean the product immediately after use and when a lot of hair or dirt has accumulated on the cutting element.

**Do not immerse the motor unit in water or any other liquid, or rinse it under the tap. Only the trimming head and attachments can be rinsed under the tap.**

**Never use scouring pads, abrasive cleaning agents or aggressive liquids such as gasoline or acetone to clean the product.**

**Do not tap on the cutting elements.**

**Do not use any sharp objects to clean the cutting elements.**

**Never dry the cutting unit with a towel or tissue, as this may damage the trimming teeth.**

- 1 Use the cleaning brush to remove any excess hair from the cutting element (Fig. 17).
- 2 Rinse the cutting element of the trimming head with lukewarm tap water (Fig. 18).
- 3 Switch on the product and rinse the cutting element once more to remove any remaining hairs (Fig. 18). Then switch off the product again.

Tip: For a thorough clean, immerse the trimming head in a glass with warm water for ca. 30 minutes to soak and soften the debris (Fig. 19). Be careful not to immerse the handle in water. Then switch on the product and rinse the cutting element under the tap to remove stubborn hair/debris.

- 4 Rinse the eyebrow guard with lukewarm water (Fig. 20).  
You can also use the cleaning brush to clean the eyebrow guard.
- 5 Carefully shake off excess water and let all parts air-dry (Fig. 21). Let all parts dry completely before you use the product again.

## Storage

Store the product in a safe, dry location. Attach the eyebrow guard to the cutting element to protect the cutting teeth during storage.

## Assistance

For assistance, visit our website: [www.philips.com/support](http://www.philips.com/support) or call toll free 1-800-243-3050.

## Disposal

Your product is designed and manufactured with high quality materials and components, which can be recycled and reused. For recycling information, please contact your local waste management facilities or visit [www.recycle.philips.com](http://www.recycle.philips.com).

This product contains batteries:

- Dispose of batteries properly. Do not incinerate. Batteries may explode if overheated.
- Do not wrap in metal or aluminum foil. Tape the waste battery terminals before discarding.
- It is suggested that you contact your local town or city to determine proper battery redemption site(s) in your area.

## Removing the disposable battery

To remove the disposable battery, see chapter 'Preparing for use' (see 'Placing the battery').

## 45-DAY MONEY-BACK GUARANTEE

If you are not fully satisfied with your product send the product back and we'll refund you the full purchase price.

**The product must be shipped prepaid by insured mail, insurance prepaid, have the original sales receipt, indicating purchase price and date of purchase.**

**We cannot be responsible for lost mail.**

**The product must be postmarked no later than 45 days after the date of purchase. Philips reserves the right to verify the purchase price of the product and limit refunds not to exceed suggested retail price.**

**To obtain the money-back guarantee service, please go to [www.PhilipsMoneyBack.com](http://www.PhilipsMoneyBack.com) and follow the simple 3-step process.**

Delivery of refund check will occur 6–8 weeks after receipt of returned product.

### **Full Two-Year Warranty**

Philips North America LLC warrants each new Philips Norelco Razor (except cutters and combs) against defects in materials or workmanship for a period of two years from the date of purchase, and agrees to repair or replace any defective product without charge.

**IMPORTANT:** This warranty does not cover damage resulting from accident, misuse or abuse, lack of reasonable care, the affixing of any attachment not provided with the product or loss of parts or subjecting the product to any but the specified voltage.\* .

**NO RESPONSIBILITY IS ASSUMED FOR ANY SPECIAL, INCIDENTAL, OR CONSEQUENTIAL DAMAGES.**

In order to obtain warranty service, simply go to [www.philips.com/norelco](http://www.philips.com/norelco) or call 1-800-243-3050 for assistance. It is suggested that for your protection, you return shipments of product by insured mail, insurance prepaid. Damage occurring during shipment is not covered by this warranty.

**NOTE:** No other warranty, written or oral, is authorized by Philips North America LLC. This warranty gives you specific legal rights, and you may also have other rights that vary from state to state. Some states do not allow the exclusion or limitation of incidental or consequential damages, so the above exclusion and limitations may not apply to you.

\* Read enclosed instructions carefully.

Español

## **INSTRUCCIONES IMPORTANTES DE SEGURIDAD**

Cuando utilice un producto eléctrico, siempre debe seguir las precauciones básicas, incluidas las siguientes:

**Lea todas las instrucciones antes de usar este producto.**

### **ADVERTENCIA**

**Para reducir el riesgo de quemaduras, incendio, descarga eléctrica o lesiones:**

- Use el producto únicamente si está seco. No lo use mientras se baña en la tina ni en la ducha.
- Este producto no está destinado a personas (adultos o niños) con capacidades física, sensorial o mental disminuidas, o que no tengan los conocimientos o la experiencia necesarios, a menos que una persona responsable de su seguridad los supervise o los instruya sobre el uso del producto. Evite que los niños jueguen con este producto.
- Use este producto solo para el uso doméstico previsto como se describe en este manual. El uso inadecuado puede causar posibles riesgos o lesiones graves. No use accesorios que no estén recomendados por la corporación Philips North America LLC. Los accesorios incluidos pueden variar según el producto.
- No deje caer ni introduzca ningún objeto en ninguna abertura.
- Nunca use este producto si no está funcionando correctamente, si se le ha caído, si está dañado o si ha caído en el agua. Para solicitar asistencia, llame al 1-800-243-3050 (EE. UU.) o 1-866-800-9311 (Canadá).
- No use este producto a la intemperie ni lo use donde se estén usando productos de aerosol (atomizador) o donde se esté administrando oxígeno.
- Siempre revise las unidades de corte y otros accesorios antes de usar el producto. Nunca use el producto si alguna unidad de corte o algún accesorio presenta daños, ya que podrían causarse lesiones.
- Use solo los accesorios provistos con el producto.
- Use únicamente accesorios o productos consumibles originales de Philips.
- Utilice este producto únicamente con baterías alcalinas desechables AA de 1,5 V.
- No recargue las baterías no recargables.
- Mantenga el producto y las baterías lejos del fuego y no los exponga a la luz solar directa ni a altas temperaturas.

- Si el producto se pone anormalmente caliente, despide un olor extraño o cambia de color, deje de usarlo y comuníquese con Philips.
- No coloque los productos y sus baterías en hornos microondas ni en ollas de inducción.
- No modifique, perforo, dañe ni desarme el producto o la batería para evitar que las baterías se calienten o liberen sustancias tóxicas o peligrosas. No provoque un cortocircuito, sobrecargue ni invierta la posición de las baterías.
- Si las baterías se dañan o tienen fugas, evite el contacto con la piel o los ojos. Si esto sucede, enjuague bien inmediatamente con agua y busque atención médica.
- Cuando manipule las baterías, asegúrese de que sus manos, el producto y las baterías estén secas.
- Inserte las baterías con los polos + y - apuntando en la dirección indicada en el sostenedor o compartimiento de las baterías.
- No mezcle baterías de distintas marcas o tipos, no mezcle baterías nuevas y usadas, ni utilice baterías con diferentes códigos de fecha.
- Si no utilizará el producto durante algún tiempo, retire las baterías.
- Para evitar un cortocircuito en las baterías después de la extracción, no permita que las terminales de las baterías entren en contacto con objetos metálicos (p. ej., monedas, horquillas, anillos). No envuelva las baterías en papel de aluminio. Cubra las terminales de las baterías con cinta o colóquelas en una bolsa de plástico antes de desecharlas.
- No deje baterías desechables descargadas dentro del producto.

## CONSERVE ESTAS INSTRUCCIONES

### INFORMACIÓN IMPORTANTE

- Enjuague la unidad de corte del cabezal de corte con agua tibia después de cada uso (Fig. 2).
- Procure mantener la unidad de corte alejada de los ojos y las pestañas en todo momento.
- Por motivos de higiene, el producto debe emplearse únicamente por una persona.
- Aplique una ligera presión. Presionar demasiado fuerte puede causar irritación de la piel y que el recortador no funcionará correctamente.
- No utilice el recortador en zonas sensibles o piel irritada.

### Introducción

¡Felicitaciones por su compra y bienvenido a Philips Norelco!

Para beneficiarse completamente del soporte que ofrece Philips Norelco, registre el producto en [www.norelco.com/register](http://www.norelco.com/register).

Puede encontrar el número de modelo impreso en el interior del compartimento de las baterías. Para acceder al compartimento de las baterías, quite la parte inferior del mango.

El número de modelo completo (por ejemplo, NT1234/56) se encuentra en la parte de abajo del empaque, del recibo o de la confirmación de su orden.

### Descripción general (Fig. 1)

- 1 Protección corta para cejas (1/8 pulgadas/3 mm)
- 2 Elemento de corte
- 3 Cabezal de recorte
- 4 Indicación de "Desbloqueo"
- 5 Indicador de bloqueo
- 6 Indicación de "Bloqueo"
- 7 Mango
- 8 Indicador de ajuste
- 9 Indicación de "encendido"
- 10 Indicación de "apagado"
- 11 Indicación de "abierto"
- 12 Tapa del compartimento de las baterías
- 13 Batería AA
- 14 Cepillo de limpieza

### Preparación para su uso

#### Colocación de la batería

Nota: Asegúrese de que sus manos y el producto estén secos al insertar la batería.



- 1 Para retirar la tapa del compartimento de las baterías, gírela a la derecha (Fig. 3) hasta que el indicador de ajuste apunte hasta la indicación "abierto" (^) (Fig. 4).
- 2 Jale de la tapa del compartimento de las baterías hacia fuera del mango (Fig. 5).
- 3 Coloque la batería en el compartimento de la batería (Fig. 6).  
Verifique que los polos + y - de la batería estén en la posición correcta.

Nota: El producto funciona con una batería alcalina AA desechable de 1,5 V (incluida).

- 4 Deslice la tapa del compartimento de las baterías de nuevo sobre el mango (Fig. 7).
- 5 Gire la tapa del compartimento de batería a la izquierda hasta que el indicador de ajuste apunte hasta la indicación "apagado" (0) (Fig. 8).

## Uso del producto

Use el producto para los siguientes fines:

- recortar el vello de la nariz y las orejas con el elemento de corte del cabezal;
- recortar el vello de las cejas con la protección para cejas colocada en el elemento de corte del cabezal.

Nota: La recortadora de vello de nariz no está diseñada para afeitar al ras los vellos de las fosas nasales o de los canales auditivos externos, sino para disminuir su extensión. Los vellos de la nariz y de los canales auditivos externos tienen funciones de protección importantes y no deben quitarse por completo.

## Encendido y apagado del producto

- 1 Para encender el producto, gire la tapa del compartimento de batería a la izquierda hasta que el indicador de ajuste se alinee con la indicación "encendido" (I) (Fig. 8).
- 2 Para apagar el producto, gire la tapa del compartimento de batería a la derecha hasta que el indicador de ajuste se alinee con la indicación "apagado" (0) (Fig. 9).

## Recorte las cejas con la protección para cejas.

- 1 Peine las cejas en la dirección de crecimiento del vello (Fig. 10).
- 2 Asegúrese de que el producto esté apagado. Deslice la protección para cejas sobre el accesorio de corte (Fig. 11). La protección corta para cejas recorta el vello hasta un largo de 1/8 pulgadas (3 mm).

Nota: Asegúrese de que la protección encaje en su lugar con un clic.

- 3 Encienda el producto (Fig. 8).
- 4 Coloque la cortadora en una posición perpendicular respecto a su rostro. Asegúrese de que la parte frontal de la protección se ubique en posición horizontal sobre la piel (Fig. 12).
- 5 Mueva lentamente la cortadora a contrapelo (Fig. 13). Presione ligeramente y asegúrese de que la superficie plana de la protección esté siempre en contacto con la piel.
- 6 Limpie el producto cuidadosamente después de cada uso (ver 'Limpieza').

## Cómo cortar el vello de nariz

Asegúrese de tanto el producto como las vías nasales estén limpias antes de recortar el vello. El moco nasal seco puede bloquear el elemento de corte y evitar que el producto gire.

Nota: Si hay una protección para cejas colocada en el elemento de corte, quítela antes de recortar el vello de la nariz o de los canales auditivos externos. (Fig. 14)

- 1 Encienda el producto (Fig. 8).
- 2 Introduzca con cuidado el elemento de corte en una de las fosas nasales.

Procure no introducirlo demasiado dentro de las fosas nasales (máx. (15/32 pulgadas/12 mm).

- 3 Mueva el elemento de corte hacia dentro y hacia fuera de las fosas nasales con movimientos firmes y giratorios para cortar la extensión (Fig. 15) de los vellos. Para asegurarse de que los dientes de corte toquen el vello, gire el elemento de corte dentro de la fosa nasal. Cuando hace movimientos giratorios, le recomendamos mantener la parte plana de la cortadora apoyada contra la piel para reducir la sensación de cosquilleo.
- 4 Limpie el producto cuidadosamente después de cada uso (ver 'Limpieza').



## Cómo cortar el vello de las orejas

Asegúrese de que los canales externos estén limpios y libres de cera.

Nota: Si hay una protección para cejas colocada en el elemento de corte, quítela antes de recortar el vello de la nariz o de los canales auditivos externos. (Fig. 14)

- 1 Encienda el producto (Fig. 8).
- 2 Mueva lentamente el elemento de corte a lo largo del borde de la oreja para eliminar los vellos salientes.
- 3 Inserte cuidadosamente el elemento de corte en el canal auditivo externo. Mueva la punta hacia dentro y hacia fuera de los canales auditivos externos con movimientos firmes y giratorios para cortar la extensión de los vellos (Fig. 16).

No introduzca el elemento de corte demasiado dentro del canal auditivo, ya que esto podría dañar el tímpano (máx. (15/32 pulgadas/12 mm).

- 4 Limpie el producto cuidadosamente después de cada uso (ver 'Limpieza').

## Limpieza

Limpie el producto inmediatamente después de usarlo y cuando se haya acumulado suciedad y vello en el elemento de corte.

**No sumerja la unidad del motor en agua u otros líquidos, ni lo enjuague bajo la llave. Solo el cabezal de recorte y los accesorios pueden enjuagarse con agua del grifo.**

**Nunca use estropajos, agentes de limpieza abrasivos ni líquidos agresivos como gasolina o acetona para limpiar el producto.**

**No golpee sobre los elementos de corte.**

**No use objetos punzantes para limpiar los elementos de corte.**

**Nunca seque el elemento de corte con una toalla o paño, ya que esto puede dañar el dentado de recorte.**

- 1 Use el cepillo de limpieza para retirar cualquier exceso de vello del elemento (Fig. 17) de corte.
- 2 Enjuague el elemento de corte del cabezal con agua (Fig. 18) del grifo tibia.
- 3 Encienda el producto y enjuague el elemento una vez más para eliminar los vellos (Fig. 18) restantes. Luego apague el producto otra vez.

Sugerencia: Para realizar una limpieza profunda, sumerja el cabezal de recorte en un vaso con agua tibia durante alrededor de 30 minutos, de modo que la suciedad se ablande (Fig. 19). Procure no sumergir el mango. Luego encienda el producto y enjuague el elemento una vez más con agua del grifo para eliminar los vellos y la suciedad restantes.

- 4 Enjuague la protección para cejas con agua (Fig. 20) tibia.  
También puede usar el cepillo de limpieza para limpiar la protección para cejas.
- 5 Elimine cuidadosamente el exceso de agua y deje todas las partes secar al aire (Fig. 21). Deje secar completamente todas las partes antes de usar el producto nuevamente.

## Almacenamiento

Guarde el producto en una ubicación segura y seca.

Coloque la protección para cejas en el elemento de corte para resguardar los dientes de corte mientras el producto esté guardado.

## Asistencia

Para asistencia, visite nuestro sitio web:

**[www.philips.com/support](http://www.philips.com/support)** o llame al

número gratuito 1-800-243-3050.

## Desecho

Su producto está diseñado y fabricado con materiales y componentes de alta calidad, que pueden ser reciclados y reusados. Para obtener información sobre reciclado, comuníquese con las oficinas locales de manejo de desechos o visite **[www.recycle.philips.com](http://www.recycle.philips.com)**.

Este producto contiene baterías:

- Disponga de las baterías adecuadamente. No incinere. Las baterías pueden explotar si son sobre calentadas.

- No envuelva en metal o aluminio. Ate con cinta las terminales de las baterías de desperdicio antes de desecharlas.
- Se recomienda comunicarse con los funcionarios locales pertinentes para obtener información acerca de centros de reciclaje autorizados.

### **Retiro de la batería desechable**

Para retirar la batería desechable, consulte el capítulo "Preparación para su uso".

### **GARANTÍA DE DEVOLUCIÓN DE SU DINERO POR 45 DÍAS**

Si no está completamente satisfecho con su producto, envíelo de regreso y le reembolsaremos el total de la compra.

**El producto debe enviarse por correo certificado pago, con seguro prepago, junto con el recibo original de compra, donde se indique el precio y la fecha de compra.**

**No asumimos ninguna responsabilidad por los paquetes perdidos.**

**El paquete del producto debe contar con matasellos que no supere los 45 días a partir de la fecha de compra. Philips se reserva el derecho a verificar el precio de compra del producto y limita los reembolsos al precio de venta minorista sugerido.**

**Para obtener el servicio de la garantía de devolución del dinero, diríjase a [www.PhilipsMoneyBack.com](http://www.PhilipsMoneyBack.com) y siga el proceso sencillo de 3 pasos.**

La entrega del cheque de reembolso ocurrirá de 6 a 8 semanas después de la recepción del producto devuelto.

### **Garantía Total de Dos Años**

Philips North America LLC garantiza cada rasuradora Norelco de Philips nueva (excepto cuchillas y peines) contra defectos en los materiales o en la mano de obra por un período de dos años desde la fecha de compra y acepta reparar o reemplazar cualquier producto defectuoso sin cargo.

**IMPORTANTE:** Esta garantía no cubre ningún daño que surja como resultado de un accidente, del uso indebido o abuso, de la falta de cuidado razonable, del uso de cualquier accesorio no provisto con el producto, de la pérdida de piezas o del uso del producto bajo un voltaje no especificado.\*

**NO SE ASUME NINGÚN TIPO DE RESPONSABILIDAD POR CUALQUIER DAÑO ESPECIAL, INCIDENTAL O RESULTANTE.**

Para obtener el servicio de garantía, simplemente ingrese a

[www.philips.com/norelco](http://www.philips.com/norelco) o llame

al 1-800-243-3050 para obtener asistencia.

Para su protección, se sugiere que el envío de las devoluciones del producto se realice por correo certificado con seguro pagado.

Cualquier daño que ocurra durante el envío no será cubierto por esta garantía.

**NOTA:** Philips North America LLC. no extiende ninguna otra garantía, ni escrita ni oral. Esta garantía le proporciona derechos legales específicos; asimismo, es posible que goce de otros derechos que pueden variar de estado a estado. En algunos estados no se permite la exclusión o la limitación de los daños fortuitos o resultantes, de modo que es posible que las limitaciones o exclusiones arriba mencionadas no apliquen a su caso.

\* Lea las instrucciones adjuntas atentamente.