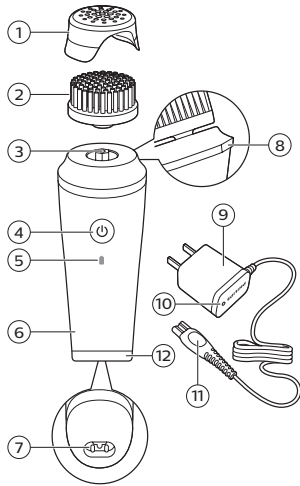




1



ENGLISH

General description (Fig. 1)

- 1 Protection cap
- 2 Brush head
- 3 Connection pin
- 4 On/off button
- 5 Battery low indicator
- 6 Handle
- 7 Socket for small plug
- 8 Anti-roll ridge
- 9 Supply unit (adapter)
- 10 Charging light
- 11 Small plug
- 12 Bottom cap

Note: Brush heads may differ depending on the VisaPure type.

Important

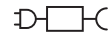
Read this user manual carefully before you use the appliance and save it for future reference.

Danger

- Keep the supply unit away from water. Do not place or store it over or near water contained in a bathtub, washbasin, sink etc. Do not immerse the supply unit in water or any other liquid. After cleaning, make sure the supply unit is completely dry before you connect it to the wall socket.
- Keep the supply unit dry.

Warning

- For the purpose of recharging the battery, only use the detachable supply unit (A00390) provided with the appliance (see symbol).



- Do not use the appliance, the brush head or the supply unit if it is damaged or broken to avoid injuries.
- Always check the appliance before you use it. Do not use the appliance, the brush head or the supply unit if it is damaged, as this may cause injury. Always replace a damaged part with one of the original type.
- The supply unit contains a transformer. Do not cut off the supply unit to replace it with another plug, as this causes a hazardous situation.
- Fully charge the appliance at least every 3 months to sustain battery lifetime.

- This appliance is not intended for use by persons (including children) with reduced physical, sensory or mental capabilities, or lack of experience and knowledge, unless they have been given supervision or instruction concerning use of the appliance by a person responsible for their safety. Children should be supervised to ensure that they do not play with the appliance.
- This appliance is NOT a toy. Keep the appliance out of the reach of children.
- Do not insert metal-containing material into the socket for the appliance plug to avoid short circuiting.

Caution

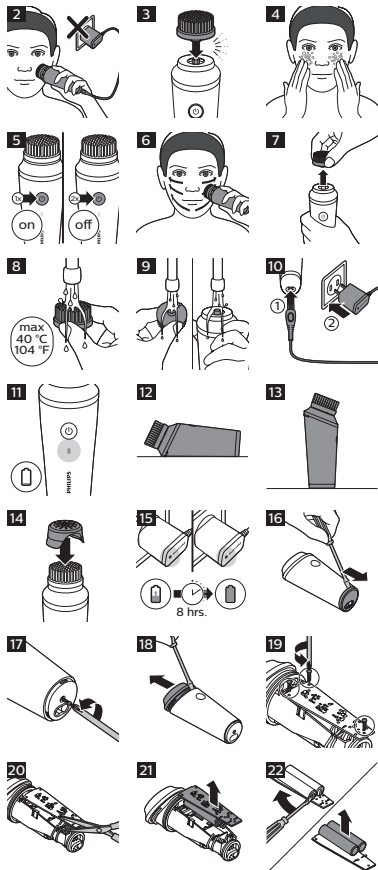
- This appliance is intended for cleansing the face, excluding the sensitive area around the eyes. Do not use the appliance for any other purpose.
- Do not use the appliance more than twice a day.
- For hygienic reasons, we advise you to not share the appliance with other people.
- Do not clean the appliance with water that is hotter than shower temperature (max. 40°C/104°F).
- Do not put the appliance or any part in the dishwasher.
- Charge, use and store the appliance at a temperature between 10°C/50°F and 40°C/104°F.
- Do not use the appliance on chapped skin, after eye surgery, open wounds or if you suffer from skin diseases or skin irritations, such as severe acne, sunburn, skin infection etc.
- Do not use the appliance if you are taking steroid-based medication.
- If you wear piercings on your face, remove the piercings before you use the appliance or make sure that you do not use the appliance on or near the piercing.
- If you wear jewelry or glasses, take them off before you use the appliance or make sure you do not use the appliance on or near the jewelry or glasses.
- Do not use the appliance with self-made cleansers or cleansers containing harsh chemicals or rough particles.

- If you have sensitive skin or experience skin irritation after using the appliance with the normal brush head, we advise you to switch to the sensitive brush head.
- VisaPure cleanses your skin deeply and stimulates blood circulation. If your skin is used to the treatment, you may experience slight skin reactions like redness or skin tightness on occasion. If your skin is not used to the treatment, these reactions may be stronger and can last longer, but should disappear after some hours. To reduce these skin reactions, you can shorten the treatment time, reduce the treatment frequency and/or apply less pressure on the skin during treatment.

- After 2 weeks of daily usage, your skin should have adapted to treatment with VisaPure. However, if you still experience strong skin reactions after 2 weeks of daily usage, we advise you to stop using VisaPure and give your skin some time to recover. You can continue your treatment once the skin reactions have disappeared, using reduced treatment time and frequency. If the strong skin reactions reoccur, we advise you to contact your doctor.
- We advise you to not cleanse your skin longer than 1 minute at a time, to prevent overtreatment.
 - Use a hairband or hair clips to avoid your hair getting caught in the rotating parts.

General

- Please note that the condition of the skin varies throughout the year. Facial skin can get dryer during the winter season. In that case you can reduce the treatment time or frequency, depending on the needs of your skin.
- The appliance cannot be used directly from the wall socket.
- Regular cleaning of the appliance ensures optimal results and a longer lifetime for the appliance.
- The appliance complies with the internationally approved IEC safety regulations and can be safely used in the bath or shower and cleaned under the tap.



- The appliance is equipped with an automatic voltage selector and is suitable for mains voltages ranging from 100 to 240 volts.

Electromagnetic fields (EMF)

This Philips appliance complies with all applicable standards and regulations regarding exposure to electromagnetic fields.

Introduction

Thank you for choosing to buy Philips VisaPure Essential Mini. Before you get started, we hope you will register your product at www.philips.com/welcome in order to enjoy dedicated product support and offers designed especially for you.

So what is VisaPure Essential Mini and how can it help your skin? Cleansing is an essential part of the daily skincare routine, but traditional methods do not always leave your skin as clean and radiant as it could be. That is why we have developed VisaPure Essential Mini - our exciting new approach to facial cleansing. Forget manual cleansing, with VisaPure Essential Mini you can enjoy clean, radiant skin, quickly and easily every day. VisaPure Essential Mini uses gentle rotating movements to cleanse deeply, remove impurities and make-up to leave skin feeling soft and fresh. Designed to complement your current routine, you can use VisaPure Essential Mini together with your current cleanser. It also helps skincare products applied after cleansing – such as your favorite moisturizer – to be absorbed better. You will notice the cleansing effect immediately – experiencing smoother, more radiant-looking skin. VisaPure Essential Mini comes ready to use with a brush head. Additional brush heads for different skin types and purposes are available separately. Ready to get started? Use VisaPure Essential Mini twice daily to enjoy soft, cleansed skin and to reveal your natural radiance. We hope you and your skin will enjoy using VisaPure Essential Mini.

Using the appliance

You can either use the appliance in front of the sink, in the shower or in the bath. We advise you use VisaPure Essential Mini with your favorite cleanser. You can cleanse your face with VisaPure Essential Mini twice a day.

Daily facial cleansing with VisaPure

Cleansing procedure

Note: The appliance does not work directly from the wall socket (Fig. 2).

Note: Do not use the brush head on the sensitive skin around the eyes.

- 1 Push the brush head onto the connection pin until it locks into position with a click (Fig. 3).
- 2 Moisten the brush head with water or liquid cleanser or apply the cleanser directly on your skin before you use the appliance. Do not use the appliance with a dry brush head, as this can irritate the skin (Fig. 4).
- 3 Place the brush head on your skin.
- 4 Press the on/off button once to switch on the appliance. Press twice to switch off the appliance (Fig. 5).

Note: We advise you to not cleanse your skin for longer than 1 minute to prevent overtreatment.

- 5 Gently move the brush head across your skin from the nose towards the ear (Fig. 6).

Do not push the brush head too hard onto the skin to make sure the treatment remains comfortable.

- 6 After the treatment, rinse and dry your face.
- 7 Clean the brush head with water.

Cleaning and maintenance

Never use scouring pads, abrasive cleaning agents or aggressive liquids such as petrol or acetone to clean the appliance.

Cleaning the appliance and the brush head

Clean the appliance and the brush head thoroughly with water after each use, to ensure optimum performance. Make sure the appliance is switched off before you start cleaning it.

- 1 Rinse the handle and the brush head under the tap with warm water (max. 40°C/104°F) (Fig. 8).

- 2 Remove the brush head from the appliance (Fig. 7).
- 3 Clean the back of the brush head and the connection pin of the appliance under the tap at least once a week (Fig. 9).
- 4 Dry these parts with a towel.

Cleaning the supply unit

Danger: Always keep the supply unit dry. Never rinse it under the tap or immerse it in water.

Make sure the supply unit is unplugged when you clean it. Only wipe it with a dry cloth.

Charging the appliance

Charging the appliance takes approximately 8 hours. A fully charged appliance can be used for at least 20 days without charging. This is based on a 1 minute cleansing routine, when using the VisaPure Essential Mini twice a day.

Note: The appliance cannot be used directly from the wall socket.

- 1 Make sure the appliance is switched off.
- 2 Insert the small plug into the socket of the appliance.
- 3 Put the supply unit in the wall socket (Fig. 10).
- 4 Charge the appliance. The charging light on the supply unit lights up white continuously to indicate that the appliance is charging (Fig. 15).

Battery-low indication

- When the battery is almost empty, the charging light lights up orange for 15 seconds. The battery still contains enough energy for a complete treatment (Fig. 11).

Storage

- To store the appliance horizontally, place it on the anti-roll ridge (Fig. 12), or place the appliance upright (Fig. 13).
- If you take the appliance with you when you travel, put the protection cap on the dry brush head to protect the brush head filaments (Fig. 14).

Note: Never put the protection cap on the brush head if the brush head is still wet, for hygienic reasons.

Brush head replacement

Damaged brush heads or worn filaments could lead to skin irritation. Therefore brush heads need to be replaced every 3 months or earlier if the filaments are deformed or damaged. Replacement brush heads are available from our website www.shop.philips.com/service or from the shop where you purchased your Philips VisaPure Essential Mini. If you have any difficulties obtaining replacement brush heads, please contact the Philips Consumer Care Center in your country. You find its contact details in the International Warranty leaflet. You can also visit www.philips.com/support.

Other heads

All Visapure brush heads are compatible with VisaPure Essential Mini. The Revitalising Massage head, Fresh Eyes head and Fresh Skin head are only compatible with Visapure Advanced, not with Visapure Essential Mini. If you like to know more about other types of heads that are available for specific skincare needs, please visit www.philips.com/beauty for information.

Recycling

- Do not throw away the product with the normal household waste at the end of its life, but hand it in at an official collection point for recycling. By doing this, you help to preserve the environment.
- This product contains a built-in rechargeable battery which shall not be disposed of with normal household waste. Please take your product to an official collection point or a Philips service center to have a professional remove the rechargeable battery.
- Follow your country's rules for the separate collection of electrical and electronic products and rechargeable batteries. Correct disposal helps prevent negative consequences for the environment and human health.

Removing the rechargeable battery

Only remove the rechargeable battery when you discard the product. Before you remove the battery, make sure that the product is disconnected from the wall socket and that the battery is completely empty.

Take any necessary safety precautions when you handle tools to open the product and when you dispose of the rechargeable battery.

- 1 Switch on the appliance and let it operate until it switches off because the rechargeable battery is empty.
- 2 Separate the bottom cap from the handle with a small flathead screwdriver (Fig. 16) and undo the screw (Fig. 17).
- 3 Insert a small flathead screwdriver between the top part and the handle and pry loose the top part of the appliance (Fig. 18). Carefully pull the top part with the battery holder out of the housing (Fig. 19).
- 4 Cut the wires (Fig. 20) and undo the screw of the printed circuit board (Fig. 21).
- 5 Remove the rechargeable battery from the battery holder (Fig. 22).

Warning: Do not attempt to replace the rechargeable battery.

Warning: Do not reconnect the appliance to the mains after you have removed the rechargeable battery.

Warranty and support

If you need information or support, please visit www.philips.com/support or read the international warranty leaflet. This chapter summarizes the most common problems you could encounter with the appliance. If you are unable to solve the problem with the information below, visit www.philips.com/support for a list of frequently asked questions or contact the Consumer Care Center in your country.

Problem Solution

The appliance does not work. Make sure that the appliance is disconnected from the wall socket when you use it. Charge the appliance according to the instructions in this user manual. Check if there is a power failure and if the wall socket is live. Make sure that you have pressed the on/off button properly. When connected to the wall socket, check if the charging light on the supply unit lights up to make sure the appliance is charging. If it does not light up or if the appliance still does not work, take it to your Philips dealer or an authorized Philips service center.

The appliance does not charge. Make sure the socket to which you connect the appliance is live. If you use a socket in a bathroom cabinet, you may need to switch on the light to activate the socket. If the light on the supply unit still does not light up or if the appliance still does not charge, take it to your Philips dealer or an authorized Philips service center.

I do not know if the appliance is suitable for use on my skin. The appliance is suitable for all skin types. Do not use the appliance on dry, chapped skin, open wounds, or when you suffer from skin diseases or skin irritation, such as severe acne, sunburn, skin infection, etc. Do not use the appliance if you are taking steroid-based medication.

简体中文

基本说明 (图 1)

- 1 保护盖
- 2 刷头
- 3 连接端子
- 4 开/关按钮
- 5 电池电量不足指示灯
- 6 手柄
- 7 小插头插座
- 8 防滚棱
- 9 电源部件 (适配器)
- 10 充电指示灯
- 11 小插头
- 12 底盖

注意：刷头可能会因 VisaPure 型号而异。

注意事项

使用本产品之前，请仔细阅读本使用说明书，并妥善保管以备日后参考。

危险

- 切勿让电源部件与水接触。切勿将它放置或存放在任何有水的容器的上方或附近，如：浴盆、脸盆、水池等。切勿将电源部件浸入水或任何其他液体中。清洁后，务必确保电源部件完全干燥，再将其连接至电源插座。
- 保持电源部件干燥。

警告

- 要给电池充电，请仅使用此产品随附的可拆卸电源部件 (A00390) (请参见符号)。



- 如果本产品、刷头或电源部件出现损坏或毁坏，请勿继续使用，以免受伤。

- 使用前，请务必检查产品。如果本产品、刷头或电源部件出现损坏，请勿继续使用，否则可能造成人身伤害。请务必用原装型号更换损坏的部件。
- 电源部件中包含一个变压器。请勿自行更换电源部件的插头，否则将导致严重后果。
- 至少每 3 个月为产品进行一次完全充电，以保持电池寿命。
- 肢体不健全、精神有障碍及取乏相关经验和知识的人 (包括儿童) 必须在监护人的监督及指导下使用。请照顾好儿童，确保他们不会把本产品当成玩具。
- 本产品不是玩具。请将产品放置在儿童接触不到的地方。
- 请勿将含金属的材料插入产品插头的插孔，以免发生短路。

警告

- 本产品专用于清洁脸部，但不适用于眼周的敏感区域。请勿将本产品用于任何其他用途。
- 每天使用本产品请勿超过两次。
- 出于卫生考虑，建议您不要与他人共用本产品。
- 不要使用高于淋浴温度的热水 (最高 40° C/104° F) 清洁本产品。
- 请勿将本产品或其任何部件放在洗碗机中。
- 充电、使用和存放本产品的温度应介于 10° C/50° F 和 40° C/104° F 之间。
- 如果刚进行眼部手术，或出现皴裂的皮肤、裂开的伤口、皮肤疾病或严重粉刺等皮肤过敏情况、晒伤、皮肤感染等问题时，请勿使用本产品。

- 如果您正在服用类固醇类药物，请勿使用该产品。
- 如果您的面部带有穿环，则需卸下穿环后再使用产品或确保不要在穿环上或附近使用产品。
- 如果您戴有首饰或眼镜，则需取下后再使用产品或确保不要在首饰或眼镜上或附近使用产品。
- 请勿将本产品与自制或含有刺激化学成分或去死皮微粒的洁面产品一起使用。
- 如果您的皮肤敏感，或使用带有普通刷头的产品后出现皮肤过敏，我们建议您使用敏感型刷头。
- 净采焕颜系列可深度清洁皮肤，并促进血液循环。如果您的皮肤适应应该护理，有时也可能会出现轻微皮肤反应，如发红或紧绷。如果您的皮肤不适应应该护理，这些反应可能更强烈，持续时间更长，但应在几个小时后消失。为了减少这些皮肤反应，您可以缩短护理时间、降低护理频率和/或减小护理过程中在皮肤上施加的力度。在 2 周的日常使用后，您的皮肤应该会适应净采焕颜系列的护理。但是，如果在 2 周的日常使用后仍然出现强烈的皮肤反应，我们建议您停用净采焕颜系列，让您的皮肤有时间恢复。皮肤反应消失后，可以采用缩短护理时间和降低护理频率的方式继续进行护理。如果再次出现强烈的皮肤反应，我们建议您联系您的医生。
- 我们建议您一次不要清洁您的皮肤超过 1 分钟，以防过度清洁。

- 使用发带或发夹，以免头发被旋转部件夹住。

概述

- 请注意，在一年之中，皮肤状况是有变化的。面部皮肤在冬季会更干燥。这种情况下，请根据皮肤的实际需要，减少护理时间或频率。
- 本产品不能直接连接电源插座使用。
- 定期清洁本产品可确保更好的效果和更长的产品使用寿命。
- 此产品符合国际认可的 IEC 安全规范，可在淋浴或盆浴过程中安全使用，可直接用自来水冲洗。
- 本产品配有一个自动电压选择器，适合 100 至 240 伏范围内的电源电压。

电磁场 (EMF)

本飞利浦产品符合所有有关暴露于电磁场的适用标准和法规。

说明

感谢您选购飞利浦迷你净采焕颜洁肤仪。开始使用之前，我们希望您先在 www.philips.com/welcome 上注册您的产品，以享受专为您提供的专业产品支持和服务。

什么是迷你净采焕颜洁肤仪？它如何帮助您护理皮肤？清洁是日常护肤的必要环节，但传统方法无法令皮肤恢复其应有的洁净焕活。因此，我们研发了迷你净采焕颜洁肤仪 - 全新高效的面部清洁产品。有了迷你净采焕颜洁肤仪，您无需每日用手清洁，即可轻松快速地拥有洁净、焕活的肌肤。迷你净采焕颜洁肤仪使用轻柔旋转运动来实现深层清洁，去除污垢和化妆品，令肌肤倍感柔滑清新。专为完善您目前的护肤日

常而设计，您可以将迷你净颜焕采洁面仪和现有洁面产品一起使用。此外，它还有助于清洁后的肌肤更好地吸收涂抹的护肤品（如润肤霜）。您会立即看到洁面效果，拥有更柔滑、更焕活的肌肤。迷你净采焕颜洁肤仪可与刷头配合使用。此外，它还针对不同的皮肤类型和用途提供不同的刷头。准备好开始了吗？每天使用两次迷你净采焕颜洁肤仪，让肌肤柔嫩洁净，焕发自然神采。我们希望您和您的肌肤都会喜欢上迷你净采焕颜洁肤仪。

使用本产品

您可以在洁面时、淋浴时或盆浴时使用本产品。建议您结合自己喜爱的洁面乳使用迷你净采焕颜洁肤仪。您可以每天使用迷你净采焕颜洁肤仪洁面两次。

使用净采焕颜系列进行日常面部清洁

清洁步骤

注意：产品不能直接连接电源插座(图 2)使用。

注意：请勿在眼睛周围的敏感皮肤部位使用刷头。

- 1 将刷头推入连接端子，直至其锁定到位（可听到咔哒(图 3)一声）。
- 2 在使用产品前，用水或液体洁面产品润湿刷头，或先将洁面产品用于脸上。请勿在刷头干燥的情况下使用本产品，否则可能会刺激皮肤(图 4)。
- 3 请将刷头贴在肌肤上。
- 4 按一下开/关按钮打开产品。按两次按钮关闭产品(图 5)。

注意：我们建议您的洁肤时间不要超过 1 分钟，以防过度清洁。

- 5 在鼻子至耳朵的皮肤上轻轻地移动刷头(图 6)。请勿太过用力地将刷头压在皮肤上，以确保舒适护理。
- 6 清洁后，冲洗干净并擦干。
- 7 用水清洁刷头。

清洁和保养

切勿使用钢丝球、研磨性清洁剂或腐蚀性液体（例如汽油或丙酮）来清洁本产品。

清洁机身和刷头

每次使用后，用水彻底清洁机身和刷头，以确保最佳性能。开始清洁之前，确保产品电源已关闭。

- 1 在水龙头下用温水（最高 40°C/104°F(图 8)）冲洗手柄和刷头。
- 2 从产品(图 7)上取下刷头。
- 3 每周(图 9)至少一次直接在水龙头下冲洗刷头的背面和产品的连接端子。
- 4 用毛巾擦干这些部件。

清洁电源部件

危险：始终保持电源部件干燥。切勿放在水龙头下冲洗，也不要浸入水中。

在清洁产品时，应确保已断开电源部件。只能用于布擦拭。

为产品充电

为产品充电大约需要 8 小时。充满电的产品至少可以使用 20 天而无需充电。这是基于时长为 1 分钟的洁面程序，每天使用迷你净采焕颜洁肤仪两次。

注意：本产品不能直接连接电源插座使用。

- 1 确保产品电源已关闭。
- 2 将小插头插入产品插座。
- 3 将电源部件插入电源插座(图 10)。

- 4 为产品充电。电源部件上的充电指示灯将呈白色持续亮起，表示产品正在充电(图 15)。

电量不足指示

- 电池电量即将用尽时，充电指示灯会呈橙色闪烁 15 秒。电池仍有足够电量来完成整个护理过程(图 11)。

存放

- 要水平存放产品，请将其放在防滚棱(图 12)上，或将本产品竖直(图 13)放置。
- 如果您在旅行时随身携带产品，请将保护盖盖在干刷头上，以保护刷头的刷毛(图 14)。

注意：出于卫生考虑，切勿在刷头未干燥的情况下将保护盖盖在刷头上。

刷头更换

损坏的刷头或磨损的刷毛可能刺激皮肤。因此，每 3 个月需要更换一次刷头，或当刷毛在更短时间内出现变形或损坏时更换。替换刷头可从我们的天猫旗舰店或京东美姿旗舰店或您购买飞利浦迷你净颜焕采洁肤仪的商店购得。如果您购买替换刷头有困难，请联系您所在国家/地区的飞利浦客户服务中心。可在国际保修卡中找到详细的联系信息。您还可以访问 www.philips.com/support。

其他刷头

所有净采焕颜系列刷头均与迷你净采焕颜洁肤仪兼容。肌底焕活按摩头、双眸提亮按摩头和清新爽肤刷头仅与多功能 SPA 仪兼容，不能与迷你净采焕颜洁肤仪配合使用。

如果想了解有关适用于特定肌肤护理需求的其他类型刷头的详情，请访问 www.philips.com.cn/c-m-pe/skincare 获取相关信息。

回收

- 弃置本产品时，请不要将其与一般生活垃圾放在一起，应将其交给政府指定的回收中心。这样做将有利于环保。
- 此产品包含内置充电电池；请勿将充电电池与一般生活垃圾一起弃置。请您将产品送到官方收集中心或飞利浦服务中心，请专业人士移除充电电池。
- 遵循您的国家/地区有关分类回收电子电气产品和充电电池的规定。正确弃置产品有助于避免对环境 and 人类健康造成不良后果。

拆下充电电池

必须在丢弃本产品前拆下充电电池。卸下电池之前，

请确保本产品与电源断开连接并且电池电量已耗尽。

当您使用工具打开本产品时以及在您弃置充电电池时，请采取必要的安全保护措施。

拆下充电电池

- 1 开启产品并让产品持续运转，直到充电电池电量耗尽，产品关闭。
- 2 使用平头小螺丝刀(图 16)从手柄卸下底盖并拧下螺钉(图 17)。
- 3 在顶部部件和手柄之间插入小平头螺丝刀，撬松产品(图 18)的顶部部件。小心地从外壳(图 19)中拉出带电池舱的顶部部件。

- 4 切断线路(图 20)并拧下印刷电路板(图 21)的螺钉。
- 5 从电池舱(图 22)中取出充电电池。

警告：请勿尝试更换充电电池。

警告：取出充电电池后，不要再将本产品与电源相连。

保修和支持

如需信息或支持，请访问 www.philips.com/support 或阅读国际保修卡。本章归纳了使用本产品时最常见的一些问题。如果您无法根据以下信息解决问题，请访问 www.philips.com/support 查阅常见问题列表，或联系您所在国家/地区的客户服务中心。

问题 解决方法

产品不能工作。	使用产品时，确保产品与电源插座断开连接。根据本用户手册中的说明为产品充电。检查是否存在电源故障，电源插座是否有电。确保您已正确按下开/关按钮。连接电源插座时，检查电源部件指示灯上的充电指示灯是否亮起，确保产品正在充电。如果充电指示灯不亮或者产品仍不能工作，请将其送往飞利浦经销商处或经授权的飞利浦服务中心。
---------	---

问题 解决方法

产品不能充电。使用浴室中的插座，则可能需要通过开灯来接通插座电源。如果电源部件的充电指示灯仍未亮起，或者如果产品仍无法充电，请将其送往飞利浦经销商处或经授权的飞利浦服务中心。

我不知道本产品是否适合我的皮肤。本产品适合各种皮肤类型。如果皮肤出现干燥皴裂、伤口、皮肤病或严重粉刺、晒伤、皮肤感染等问题时，请勿使用本产品。如果您正在服用类固醇类药物，请勿使用本产品。

PHILIPS

产品：飞利浦净采焕肤仪
型号：BSC111
额定电压：220V—
额定频率：50Hz
额定输入功率：2 W
生产日期：请见产品本体
产地：中国广东中山



飞利浦（中国）投资有限公司
上海市静安区灵石路718号A1幢
全国顾客服务热线：4008 800 008
本产品根据国标 GB4706.1-2005,
GB4706.15-2008制造

PHILIPS

产品：飞利浦男士迷你版洁肤仪
型号：MS1011
额定电压：220V—
额定频率：50Hz
额定输入功率：2 W
生产日期：请见产品本体
产地：中国广东中山



飞利浦（中国）投资有限公司
上海市静安区灵石路718号A1幢
全国顾客服务热线：4008 800 008

本产品根据国标 GB4706.1-2005,
GB4706.15-2008制造

保留备用

发行日期：05/09/2018

繁體中文

一般說明 (圖 1)

- 1 保護蓋
- 2 刷頭
- 3 連接插座
- 4 開關按鈕
- 5 電量不足指示燈
- 6 握柄
- 7 小插頭插座
- 8 防滾動突出物
- 9 電源供應裝置 (電源轉換器)
- 10 充電指示燈
- 11 小插頭
- 12 底部的蓋子

注意：刷頭可能會因 VisaPure 機型而異。

重要事項

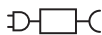
在使用本產品前，請先仔細閱讀本使用手冊，並保留使用手冊以供日後參考。

危險

- 請勿讓電源供應裝置沾到水。請勿放置或存放於裝水的澡盆、洗臉盆、洗臉槽的上方或附近。請勿將電源供應裝置浸入水中或任何液體中。清潔之後，請確認電源供應裝置已完全乾燥，才可連接至牆壁插座。
- 電源供應裝置請保持乾燥。

警示

- 若要重新為電池充電，僅可使用本產品隨附的可拆式電源供應裝置 (A00390) (請參閱符號)。



- 如果產品本身、刷頭或電源供應裝置損壞或破損，則請勿使用以免受傷。

- 使用前請務必檢查本產品。如果產品本身、刷頭或電源供應裝置損壞，則請勿使用以免受傷。零件如有受損，請務必以原型號更換之。
- 電源供應裝置內含一個變壓器。請勿切斷電源供應裝置而以其他的插頭取代，否則會造成危險。
- 至少每 3 個月為產品充飽電力一次，以維持電池壽命。
- 本產品不適合供下列人士 (包括孩童) 使用：身體官能或心智能力退化者，或是經驗與使用知識缺乏者。他們需要負責其安全的人員在旁監督，或指示產品的使用方法，方可使用。請看管孩童，避免他們將本產品當成玩具。
- 本產品不是玩具。請勿讓孩童接觸本產品。
- 請勿將金屬物品插入電源插孔，以避免短路。

警告

- 本產品僅供臉部清潔使用，不可用於眼睛四周的敏感部位。請勿將本產品用於其他用途。
- 一天請勿使用本產品超過兩次。
- 基於衛生考量，我們建議您不要和其他人共用本產品。
- 請勿以高於淋浴溫度 (最高 40° C/104° F) 的水溫清洗本產品。
- 請勿使用洗碗機來清潔本產品或任何零件。
- 請在溫度介於 10° C/50° F 至 40° C/104° F 間的環境中充電、使用及收納本產品。
- 請勿將本產品用於乾裂的皮膚、眼部手術之後和開放性傷口上，或者，如果您患有皮膚病或皮膚刺痛，例如嚴重的粉刺、曬傷、皮膚感染等，也請勿使用本產品。
- 如果您正在服用類固醇藥物，則請勿使用本產品。
- 如果您的臉上有穿環，請在使用本產品前取下穿環，或確保您不會在穿環部位或其周圍使用本產品。
- 如果您配戴珠寶或眼鏡，請在使用本產品前將其取下，或確保您不會在珠寶或眼鏡配戴部位附近使用本產品。
- 請勿將本產品與自製洗面乳或含有刺激性化學物質或較粗顆粒的洗面乳一起搭配使用。
- 如果您屬於敏感性肌膚，或在使用本產品搭配一般膚質刷頭後感到皮膚刺痛，我們建議您改用敏感膚質刷頭。
- VisaPure 可深度清潔肌膚並刺激血液循環。如果您的皮膚適應產品療程，您偶爾可能會感到輕微的皮膚反應，如紅腫或皮膚緊繃。如果您的皮膚不適應產品療程，這些反應可能會更強烈或持續時間更久，但應會在數小時後消失。若要減少這些皮膚反應，您可

- 以縮短療程時間、減少療程頻率及/或在進行療程時降低力度。每日使用持續 2 週之後，您的皮膚應會適應使用 VisaPure 的療程。然而，如果您在每日使用持續 2 週之後，仍有嚴重的皮膚反應，建議您停止使用 VisaPure，讓您的皮膚有時間恢復。皮膚反應消失之後，您可以減少療程時間和頻率，繼續進行療程。若再度發生嚴重的皮膚反應，建議您尋求醫生的協助。
- 我們建議您清潔肌膚的時間一次勿超過 1 分鐘，以避免過度清潔。
- 為避免頭髮捲入旋轉零件，請配戴髮箍或使用髮夾。

一般

- 請注意，皮膚的狀況因季節變換而異。臉部肌膚在冬天可能會比較乾燥。這種情況下，您可以根據皮膚需求，減少使用的時間或頻率。
- 本產品無法直接插電使用。
- 定期清潔本產品可確保最佳效果，並延長產品的使用壽命。
- 本產品符合國際公認的 IEC 安全標準，可以在沐浴或淋浴時安全使用，也可安全地直接在水龍頭下清洗。
- 本產品配備有自動電壓選擇器，適用 100 到 240 伏特的插座電壓。

電磁波 (EMF)

本飛利浦產品符合所有電磁波暴露的相關適用標準和法規。

簡介

感謝您選擇購買飛利浦 VisaPure Essential Mini。在您開始使用之前，邀請您前往 www.philips.com/welcome 註冊您的產品，以便享有專屬產品支援，以及特別為您量身打造的優惠好康。

VisaPure Essential Mini 是什麼樣的產品，又如何幫助調理肌膚呢？清潔是日常護膚程序中非常重要的一環，但傳統的清潔方式有時卻無法真的洗淨肌膚，使肌膚呈現該有的光澤。這就是我們研發 VisaPure Essential Mini 的目的，提供嶄新有趣的臉部清潔方式。再也不用手洗臉，有了 VisaPure Essential Mini，您每天都能快速輕鬆地擁有乾淨且容光煥發的肌膚。VisaPure Essential Mini 使用溫和的旋轉動作達到深度清潔、卸除髒汗與化妝品，讓肌膚感覺柔嫩清爽。VisaPure Essential Mini 專為搭配您現有的清潔步驟而設計，您可以和現有的洗面乳一起使用。它也有助於清潔後塗抹的護膚產品得到更好的吸收效果，例如您最喜愛的乳液。您會立刻注意到洗臉後的效果，皮膚感覺起來更加柔滑明亮。VisaPure Essential Mini 附有一個刷頭，可供立即使用。您也可以另外選購針對不

同膚質及用途所設計的刷頭。準備開始使用了嗎？每天使用 VisaPure Essential Mini 兩次，就能享受柔軟潔淨的膚質，並展現肌膚自然的光澤。我們誠摯希望您與您的肌膚能充分享受使用 VisaPure Essential Mini 的過程。

使用本產品

您可以在洗手台前、淋浴或泡澡時使用本產品。建議您可搭配愛用的洗面乳使用 VisaPure Essential Mini。一天可用 VisaPure Essential Mini 清潔臉部兩次。

使用 VisaPure 進行每日臉部清潔清潔程序

注意：本產品無法直接插電 (圖 2) 使用。

注意：請勿將刷頭用於眼睛周圍的敏感肌膚。

- 1 將刷頭推入連接插座，直到聽到「喀嗒 (圖 3)」一聲完全卡入定位為止。
- 2 以清水或液狀洗面乳潤溼刷頭，也可以在使用本產品前，先將洗面乳直接塗在皮膚上。請勿使用乾刷頭直接清潔皮膚，這樣可能會刺激肌膚 (圖 4)。
- 3 將刷頭置於皮膚上。
- 4 按一下開關按鈕，開啟產品電源。按兩次則可關閉產品電源 (圖 5)。

注意：我們建議您清潔肌膚的時間勿超過 1 分鐘，以避免過度清潔。

- 5 輕輕在皮膚表面移動刷頭，從鼻子往耳朵 (圖 6) 移動。為確保使用過程舒適，請勿將刷頭用力壓於皮膚上。
- 6 療程結束後，請洗淨和擦乾臉部。
- 7 請以清水清潔刷頭。

清潔與維護

絕對不可使用鋼絲絨、磨蝕性的清潔劑或侵蝕性的液體 (例如汽油或丙酮) 清潔本產品。

清潔本產品及刷頭

每次使用後請用水徹底清潔本產品及刷頭，以確保最佳效能。在您開始進行清潔之前，請確定將產品的電源關閉。

- 1 將握把與刷頭放在水龍頭下以溫水沖洗 (最高 40° C/104° F) (圖 8)。
- 2 將刷頭從產品 (圖 7) 中取出。
- 3 請在水龍頭下清潔刷頭背面和產品的連接插座，每週 (圖 9) 至少清洗一次。
- 4 請用毛巾將這些零件擦乾。

清潔電源供應裝置

危險： 請務必保持電源供應裝置乾燥。切勿在水龍頭下沖洗轉換器，或將轉換器浸泡到水中。

清潔時，請確保先將電源供應裝置拔離電源插座。只能用乾布擦拭轉換器。

為產品充電

本產品充電時間約需 8 小時。 充電飽的產品至少可以使用約 20 天，其間無需充電。這是以 1 分鐘的清潔步驟為基礎，一天使用 VisaPure Essential Mini 兩次。

注意： 本產品無法直接插電使用。

- 1 確定關閉本產品的電源。
- 2 將小插頭插入產品的電源插孔。
- 3 將電源供應裝置插入牆壁插座 (圖 10)。
- 4 產品開始充電。 電源供應裝置上的充電指示燈會持續亮白燈，表示產品正在充電 (圖 15)。

電量不足指示燈

- 電池電力即將用盡時，充電指示燈會亮橘光 15 秒。 此時電池仍有足夠電力能完成療程 (圖 11)。

收納

- 如果要水平收納，請將本產品放置在防滾動突出物 (圖 12)上，或將產品直立 (圖 13)放置。
- 如果您旅行時隨身攜帶本產品，請將保護蓋蓋在乾燥的刷頭上，以保護刷頭的刷毛 (圖 14)。

注意： 基於衛生考量，刷頭仍潮濕時，切勿蓋上保護蓋。

更換刷頭

損壞的刷頭或磨損的刷毛會造成皮膚刺痛。因此每隔 3 個月便應更換刷頭，若刷毛已經變形或損壞，則應盡早更換。您可以在我們的網站 www.shop.philips.com/service 或當初購買飛利浦 VisaPure Essential Mini 的商店購買替換刷頭。 如果您在購買替換刷頭上遇到任何困難，請聯絡您所在國家/地區的飛利浦客戶服務中心， 您可以在全球保固說明書上找到聯絡詳細資料。 您也可以造訪 www.philips.com/support。

其他刷頭

所有 VisaPure 刷頭都與 VisaPure Essential Mini 相容。 活力滾輪按摩刷頭、清爽眼部護理刷頭和清爽肌膚護理刷頭僅與 VisaPure Advanced 相容，與 Visapure Essential Mini 則不相容 如果您想要深入了解針對特定護膚需求所提供的刷頭類型，請造訪 www.philips.com/beauty 以了解相關資訊。

回收

- 本產品使用壽命結束時請勿與一般家庭廢棄物一併丟棄。請將該產品放置於政府指定的回收站，此舉能為環保盡一份心力。
- 本產品包含內建充電式電池，不得與一般家用廢棄物一併丟棄。請將產品攜至政府指定的回收站或飛利浦服務中心，由專業人員取出充電式電池。
- 請按照您所在國家/地區的規定，分類與回收電子電器產品及充電式電池。正確處理廢棄物有助避免對環境和人類健康的負面影響。

取出充電式電池

棄置本產品前，才能取出充電式電池。取出電池前，請確認已從牆上插座拔出產品插頭，且電池電力已完全耗盡。

使用工具打開產品或棄置充電式電池時，請採取任何必要的安全預防措施。

取出充電式電池

- 1 開啟產品電源並讓其不斷運作，直到產品因充電式電源電量耗盡並自動關閉電源為止。
- 2 用小型平頭螺絲起子 (圖 16)從握柄拆下底部的蓋子，然後轉開螺絲 (圖 17)。
- 3 將小型平頭螺絲起子插入產品頂部與握把之間，然後撬開產品 (圖 18)頂部。小心地將頂端部分與電池固定座從外殼 (圖 19)中拉出。
- 4 剪斷電線 (圖 20)並轉開印刷電路板 (圖 21)的螺絲。
- 5 從電池固定座 (圖 22)取出充電式電池。

警告： 請勿嘗試更換充電式電池。

警告： 取出充電式電池後，請勿再次將產品連接至電源。

保固與支援

如需資訊或支援，請造訪：www.philips.com/support，或參閱全球保固說明書。本章概述了使用本產品最常遇到的問題。如果無法利用以下資訊解決遇到的問題，請造訪 www.philips.com/support 瀏覽常見問題清單，或聯絡您所在國家/地區的飛利浦客戶服務中心。

問題	解決方法
本產品無法運作。	使用時，請確定電源插頭從牆壁插座拔除。請根據本使用手冊中的說明為產品充電。檢查是否停電以及牆壁插座是否正確運作。請確認您已正確按下開關按鈕。連接至牆壁插座時，檢查電源供應裝置上的充電指示燈是否亮起，以確定產品是否正在充電。如果指示燈並未亮起，或者產品仍舊無法運作，請將本產品送至您的飛利浦經銷商或授權的飛利浦服務中心。
產品無法充電。	請確認產品連接的插座是否是正常供電。如果使用的是浴室櫥櫃的插座，可能必須打開電源燈才能啟動插座供電。如果電源供應裝置上的指示燈仍未亮起或產品仍舊無法充電，請將本產品送至您的飛利浦經銷商或授權的飛利浦服務中心。

我不知道此產品是否適合我的肌膚使用。

本產品適用於所有膚質。請勿將本產品用於乾裂的皮膚和開放性的傷口上，或者，如果您患有皮膚病或皮膚刺痛，例如嚴重的粉刺、曬傷、皮膚感染等，也請勿在其上使用本產品。如果您正在服用類固醇藥物，也請勿使用本產品。

한국어

구성품 명칭(그림 1)

- 1 보호 캡
- 2 브러쉬 헤드
- 3 연결 핀
- 4 전원 버튼
- 5 배터리 부족 표시등
- 6 핸들
- 7 소형 플러그 콘센트
- 8 굴림 방지 걸이
- 9 전원 공급 장치(어댑터)
- 10 충전 표시등
- 11 소형 플러그
- 12 하단 캡

참고: VisaPure 타입에 따라 브러시 헤드가 다를 수 있습니다.

중대한

본 제품을 사용하기 전에 이 사용 설명서를 주의 깊게 읽고 나중에 참조할 수 있도록 잘 보관하십시오.

위험

- 전원 공급 장치를 물기가 있는 곳에 두지 마십시오. 욕조, 세면대, 싱크대 등, 물이 가까이 있는 곳에서 놓아 두거나 보관하지 마십시오. 또한 물이나 기타 액체에 담그지 마십시오. 청소 후에는 전원 공급 장치를 완전히 건조시킨 다음에 벽면 콘센트에 연결하십시오.
- 전원 공급 장치를 건조한 상태로 보관하십시오.

경고

- 배터리를 충전하려면 제품과 함께 제공된 분리형 전원 공급 장치(A00390)만 사용해야 합니다(기호 참조).



- 제품, 브러쉬 헤드, 또는 전원 공급 장치가 손상되거나 고장난 경우 사용하지 마십시오. 부상의 위험이 있습니다.
- 사용하기 전에 제품을 항상 확인하십시오. 제품, 브러쉬 헤드, 또는 전원 공급 장치가 손상되거나 고장난 경우 사용하지 마십시오. 부상의 위험이 있습니다. 손상된 부품은 반드시 정품으로 교체하여 사용하십시오.
- 전원 공급 장치에는 변압기가 내장되어 있습니다. 위험할 수 있으므로, 다른 플러그로 교체하기 위해 전원 공급 장치를 잘라내지 마십시오.
- 배터리 수명을 유지하려면 적어도 3개월에 한 번씩 제품을 완전히 충전하십시오.
- 8세 이상 어린이와 신체적인 감각 및 정신적인 능력이 떨어지거나 경험과 지식이 풍부하지 않은 성인이 이 제품을 사용하려면 제품 사용과 관련하여 안전하게 사용할 수 있도록 지시사항을 충분히 숙지한 사람의 도움을 받아야 합니다. 어린이가 제품을 가지고 놀지 않도록 하십시오.
- 8세 이상 어린이가 어른의 지도를 받으면서 하지 않는 한, 어린이가 제품 청소 및 관리를 하도록 두어서는 안됩니다.
- 본 제품은 장난감이 아닙니다. 제품은 어린이의 손이 닿지 않는 장소에 보관하십시오.
- 누전을 방지하기 위해 제품 플러그 투입구에 금속이 포함된 물질을 삽입하지 마십시오.

주의

- 이 제품은 눈가와 같이 민감한 부위를 제외한 얼굴전용 클렌징입니다. 이 제품을 다른 용도로 사용하지 마십시오.
- 하루에 3번 이상 제품을 사용하지 마십시오.
- 위생상 제품을 다른 사람과 함께 사용하지 않는 것이 좋습니다.
- 샤워 시에 사용하는 물의 온도보다 뜨거운 물(최대 40° C/104° F)로 제품을 세척하지 마십시오. 제품이나 부품을 식기세척기로 세척하지 마십시오.
- 제품은 10° C – 40° C(50° F – 104° F) 사이의 온도로 충전, 사용 및 보관하시기 바랍니다.
- 건조한 피부, 눈 수술 후, 상처가 있는 곳 또는 심한 여드름, 화사, 감염 등과 같은 피부병이나 피부 질환을 앓고 있는 경우 제품을 사용하지 마십시오. 스테로이드 기반 약물을 복용하고 있는 경우 제품을 사용하지 마십시오. 얼굴에 피어싱을 하고 있다면 제품을 사용하기 전에 제거하거나 피어싱이 있는 부위에는 제품을 사용하지 마십시오.
- 안경이나 액세서리를 착용하고 있다면 제품 사용 전에 벗거나 안경이나 액세서리를 착용한 곳에는 사용하지 마십시오.
- 직접 만든 클렌저 또는 독한 화학 제품이나 굵은 입자가 포함되어 있는 클렌저를 제품과 함께 사용하지 마십시오.
- 피부가 민감하거나 일반 피부용 브러쉬 헤드가 장착된 제품을 사용한 후 피부 자극이 발생한 경우에는 민감한 피부용 브러쉬 헤드로 바꿔 사용하는 것을 권장합니다.
- VisaPure는 딥 클렌징과 혈액 순환 자극 효과가 있습니다. 피부가 클렌징 VisaPure 클렌징에 익숙해져 있는 경우 가끔 홍조나 피부 당김과 같은 약간의 피부 반응이 있을 수 있습니다. 피부가 VisaPure 클렌징에 익숙하지 않은 경우 이러한 반응은 더 강하게 일어나고 더 오래 발생할 수 있지만 몇 시간이 지나면 사라질 것입니다. 이러한 피부 반응을 줄이려면 클렌징 시간을 단축하거나 제품 사용 빈도를 줄이거나 클렌징 중 피부에 가하는 압력을 줄여 주세요.
- 매일 2주 동안 사용 후에는 피부가 VisaPure 클렌징에 적응해 됩니다. 하지만 매일 2주 사용 후에도 피부 반응이 강하게 일어난다면 VisaPure 사용을 중단하고 며칠 간 피부에

- 회복할 시간을 두는 것을 권장합니다. 피부 반응이 사라진 후에는 VisaPure 클렌징 시간과 빈도를 줄여 계속 사용할 수 있습니다. 강한 피부 반응이 다시 일어나면 의사의 진료를 받는 것을 권장합니다.
- 피부 손상을 방지하기 위해서는 한 번에 1분 이상 클렌징하지 마십시오.
- 제품 사용 시 머리카락이 브러시 헤드에 걸리지 않도록 헤어밴드 또는 헤어클립을 사용하십시오.

일반

- 피부의 상태는 1년 내내 다릅니다. 겨울철에는 얼굴 피부가 더 건조할 수 있습니다. 이 경우 사용자 피부의 상태에 따라 사용 시간이나 빈도를 줄일 수 있습니다.
- 이 제품은 벽면 콘센트에 직접 연결한 채로 사용할 수 없습니다.
- 제품을 정기적으로 청소하면 최적의 효과를 얻을 수 있으며 제품도 더 오래 사용할 수 있습니다.
- 본 제품은 국제적으로 공인 받은 IEC 안전 기준을 따르고 있으며, 목욕이나 샤워 중에도 안전하게 사용할 수 있으며 물로 세척할 수 있습니다.
- 제품에는 자동 전압 선택 기능이 있으며 100 ~ 240V 범위의 전원에서 사용할 수 있습니다.

EMF(전자기장)

이 제품은 EMF(전자기장)와 관련된 모든 기준 및 규정을 준수합니다.

소개

필립스 비자퓨어 에센셜 미니(VisaPure Essential Mini)를 구입해 주셔서 감사합니다. 맞춤 제품 지원 및 혜택을 받으려면 제품을 사용하기 전에 www.philips.com/welcome을 통해 등록하시기 바랍니다.

비자퓨어 에센셜 미니(VisaPure Essential Mini) 소개 및 피부 관리 효과 클렌징은 일상적인 스킨케어 과정에서 반드시 필요한 부분이지만 기존의 클렌징 방법으로는 깨끗하고 빛나는 피부를 유지하는 데 한계가 있습니다. 이것이 바로 필립스가 새로운 페이스 클렌징 방식인 비자퓨어 에센셜 미니(VisaPure Essential Mini)를 개발한 이유입니다. 이제 손으로 클렌징하지 말고, 비자퓨어 에센셜 미니(VisaPure Essential Mini)로 깨끗하고, 부드럽고, 빛나는 피부를 매일 쉽고 빠르게 경험해 보세요. 비자퓨어 에센셜 미니(VisaPure Essential Mini)는 부드러운 회전 운동으로 밀 클렌징을 하고 불순물 및 메이크업을 제거하여 피부를 부드럽고 깨끗하게 가꿔줍니다. 비자퓨어

에센셜 미니(VisaPure Essential Mini)는 현재의 스킨케어 방식을 보완하도록 설계되어 있으므로 가지고 계신 클렌징 제품과 함께 사용하시면 됩니다. 그리고 보습제 등과 같이 클렌징 후 바르는 스킨케어 제품이 더 잘 흡수되도록 도와줍니다. 즉각적인 클렌징의 효과와 함께 더 부드럽고, 더 밝게 빛나는 피부를 경험해 보세요. 비자퓨어 에센셜(VisaPure Essential Mini)에는 브러시 헤드가 함께 제공됩니다. 다양한 피부 타입과 용도에 따라 브러시 헤드를 추가로 구입하실 수 있습니다. 사용할 준비가 되셨나요? 하루에 두 번 비자퓨어 에센셜 미니(VisaPure Essential Mini)를 사용하여 부드럽고 깨끗한 피부와 자연스러운 피부 광채를 경험해 보세요. 비자퓨어 에센셜 미니(VisaPure Essential Mini)와 함께 새로운 클렌징의 즐거움을 누리시기 바랍니다.

제품 사용

이 제품은 세면대 앞이나 샤워기 아래 또는 욕조 안에서 사용할 수 있습니다. 비자퓨어 에센셜 미니(VisaPure Essential Mini)는 좋아하는 클렌저와 함께 사용하는 것이 좋습니다. 하루에 두 번 비자퓨어 에센셜 미니(VisaPure Essential Mini)로 얼굴을 클렌징하십시오.

VisaPure를 사용한 일상적인 페이스 클렌징 절차

클렌징 절차

참고: 이 제품은 벽면 콘센트 (그림 2)에 직접 연결되어 있으면 작동하지 않습니다.

참고: 눈가와 같이 민감한 피부에는 브러시 헤드를 사용하지 마십시오.

1. 딸깍 (그림 3) 소리가 나면서 제자리에 고정될 때까지 브러시 헤드를 연결 핀 쪽으로 미십시오.
2. 브러시 헤드를 물 또는 액체 클렌저에 적셔 사용하거나 피부에 직접 클렌저를 바른 상태에서 제품을 사용하십시오. 피부 (그림 4)에 자극을 줄 수 있으므로 브러시 헤드가 마른 상태에서 제품을 사용하지 마십시오.
3. 브러시 헤드를 피부에 댁니다.
4. 전원 버튼을 한 번 눌러 제품을 켜십시오. 제품 (그림 5)을 끄려면 두 번 누르십시오.

참고: 피부 손상을 방지하기 위해서는 1분 이상 클렌징하지 마십시오.

5. 코에서부터 귀 (그림 6)가 있는 방향으로 브러시 헤드를 부드럽게 이동합니다. 피부에 자극을 줄 수 있으므로 브러시 헤드를 피부에 대고 너무 세게 누르지 마십시오.
6. 클렌징 후에는 얼굴을 씻고 물기를 닦습니다.
7. 브러시 헤드를 물로 세척합니다.

청소 및 유지관리

제품을 세척할 때 수세미, 연마성 세제나 휘발유, 아세톤과 같은 강력 세제를 사용하지 마십시오.

제품 및 브러시 헤드 세척

최적의 성능을 위해 사용 후에는 항상 제품과 브러시 헤드를 물로 깨끗하게 세척하십시오. 세척을 시작하기 전에 제품의 전원이 꺼져 있는지 확인하십시오.

1. 손잡이와 브러시 헤드는 따뜻한 수돗물(최대 40°C/104°F) (그림 8)로 행구십시오.
2. 제품 (그림 7)에서 브러시 헤드를 분리하십시오.
3. 브러시 헤드 후면과 제품의 연결 핀을 매주 (그림 9) 1회 이상 수돗물로 세척하십시오.
4. 해당 부분의 물기는 수건으로 닦습니다.

전원 공급 장치 청소

위험: 전원 공급 장치를 항상 건조한 상태로 보관하십시오. 전원 공급 장치를 물에 담그거나 행구지 마십시오.

전원 공급 장치를 세척할 때는 전원 플러그를 뽑으십시오. 항상 마른 천으로 닦으십시오.

제품 충전

제품을 충전하려면 약 8시간이 걸립니다. 완전히 충전된 제품은 최소 2주 동안 충전 없이 사용할 수 있습니다. 비자퓨어 에센셜 미니(VisaPure Essential Mini)를 하루에 두 번 사용하는 경우 1분 기준의 클렌징 과정입니다.

참고: 이 제품은 벽면 콘센트에 직접 연결한 채로 사용할 수 없습니다.

1. 제품의 전원이 꺼져 있는지 확인합니다.
2. 소형 플러그를 제품의 소켓에 꽂으십시오.
3. 전원 공급 장치를 벽면 콘센트 (그림 10)에 꽂으십시오.
4. 제품을 충전하십시오. 제품이 충전되는 동안 (그림 15)에는 전원 공급 장치의 충전 표시등이 흰색으로 계속 켜져 있습니다.

배터리 전력 부족 표시등

- 배터리가 거의 방전되면 충전 표시등이 15초 동안 주황색으로 켜집니다. 이때 배터리에는 한 번 클렌징 (그림 11)할 수 있을 만큼의 전력이 아직 남아 있습니다.

보관

- 제품을 수평으로 보관하려면 굴림 방지 걸이 (그림 12)에 걸거나 제품을 똑바로 (그림 13)로 세워 보관하십시오.
- 여행할 때 제품을 가지고 가려면 마른 브러시 헤드에 보호 캡을 씌워 브러시 모 (그림 14)를 보호하십시오.

참고: 브러시 헤드가 벗은 상태일 경우 위생상의 이유로 보호 캡을 위에 씌우지 마십시오.

브러시 헤드 교체

손상된 브러시 헤드나 마모된 브러시 모는 피부 자극을 일으킬 수 있습니다. 따라서 3개월에 한 번씩 브러시 헤드를 교체하고, 브러시 모가 변형되거나 손상된 경우 바로 브러시 헤드를 교체하십시오. 교체용 브러시 헤드는 웹 사이트(www.shop.philips.com/service) 또는 Philips 비자퓨어 에센셜 미니(VisaPure Essential Mini) 구입 매장에서 구입하실 수 있습니다. 교체용 브러시 헤드를 구하기 어려운 경우에는 필립스 고객 상담실로 문의하십시오. 연락처 정보는 국제 보증서에 나와 있습니다. www.philips.com/support를 방문하셔도 됩니다.

다른 유형의 브러시 헤드

비자퓨어 에센셜 미니(VisaPure Essential Mini)에는 모든 Visapure 브러시 헤드가 호환됩니다. 리바이탈라이징 마사지 헤드, 프레쉬 아이 헤드 및 프레쉬 스킨 헤드는 비자퓨어 어드밴스드(VisaPure Advanced)와만 호환되며 비자퓨어 에센셜 미니(VisaPure Essential Mini)와는 호환되지 않습니다. 피부 타입별 브러시 헤드 유형에 대한 자세한 내용은 www.philips.com/beauty를 참조하십시오.

재활용

- 이 기호는 본 제품을 일반 가정용 쓰레기와 함께 폐기하면 안 됨을 의미합니다(2012/19/EU) (그림 23).
- 이 기호는 본 제품을 가정용 쓰레기 (그림 24)(2006/66/EC)와 함께 폐기하면 안 되는 충전식 배터리가 포함되어 있음을 나타냅니다. 제품을 지정된 재활용 수거 장소 또는 필립스 서비스 센터에 가져와 충전식 배터리를 전문적으로 처리하는 것이 좋습니다.
- 전기 및 전자 제품과 충전식 배터리의 분리 수거에 대한 해당 국가의 규정을 준수하십시오. 제품을 올바르게 폐기하면 환경과 인체 건강에 미치는 부정적인 영향을 예방할 수 있습니다.

충전식 배터리 분리

제품을 폐기할 때에만 충전식 배터리를 분리하십시오. 배터리를 분리하기 전에 제품을 벽면 콘센트에서 분리하고 배터리가 완전히 방전되었는지 확인하십시오.

도구를 사용하여 제품을 분해하고 충전식 배터리를 폐기할 때 필요한 안전 주의 사항을 준수하십시오.

충전식 배터리 분리

1. 제품의 전원을 켜고 충전식 배터리가 소진되어 전원이 꺼질 때까지 작동하십시오.
2. 작은 일자 드라이버 (그림 16)로 핸들에서 하단 캡을 분리하고 나사 (그림 17)를 푸십시오.
3. 상단부와 손잡이 사이에 작은 일자 드라이버를 끼우고 돌려 제품 (그림 18) 상단부가 벌어지게 합니다. 배터리함 덮개가 있는 상단부를 케이스 (그림 19)에서 조심스럽게 꺼냅니다.
4. 전선 (그림 20)을 절단하고 인쇄 회로 기판 (그림 21)의 나사를 푸십시오.
5. 배터리함 (그림 22)에서 충전식 배터리를 분리하십시오.

경고: 충전식 배터리를 교체하지 마십시오.

경고: 충전용 배터리를 분리한 다음에는 제품을 전원에 다시 연결하지 마십시오.

품질 보증 및 지원

보다 자세한 정보나 지원이 필요한 경우에는 필립스 웹사이트(www.philips.com/support)를 방문하거나 국제 보증 리플릿을 참조하십시오. 이 장에서는 제품을 사용하면서 접할 수 있는 가장 일반적인 문제를 다룹니다. 아래 정보를 통해 문제를 해결하지 못한 경우 www.philips.com/support를 방문하여 자주 묻는 질문(FAQ) 목록을 참조하거나 해당 국가의 필립스 고객 지원 센터로 문의하십시오.

문제점	해결책
제품이 작동하지 않습니다.	제품을 사용할 때는 벽면 콘센트에서 분리되어 있는지 확인하십시오. 이 사용 설명서의 지침에 따라 제품을 충전하십시오. 정전이 되지 않았으며 콘센트에 전원이 공급되고 있는지 확인하십시오. 전원 버튼을 제대로 눌렀는지 확인하십시오. 벽면 콘센트에 연결된 상태에서는 전원 공급 장치의 충전 표시등이 켜져 충전 중임을 알려 주는지 확인하십시오. 표시등이 켜지지 않거나 제품이 그래도 작동하지 않으면 필립스 대리점 또는 지정된 필립스 서비스 센터에 방문하십시오.
제품이 충전되지 않습니다.	제품을 연결한 전원에 전력이 제대로 공급되고 있는지 확인하십시오. 욕실의 콘센트를 사용하는 경우 욕실 전등을 켜야 콘센트에 전류가 흐르는 경우가 있습니다. 그래도 전원 공급 장치의 표시등이 켜지지 않거나 제품이 충전되지 않으면 필립스 대리점 또는 지정된 필립스 서비스 센터에 방문하십시오.

문제점	해결책
이 제품이 내 피부에 적합한지 모르겠습니다.	이 제품은 모든 피부 타입에 적합합니다. 건조한 피부나 상처가 있는 곳 또는 심한 여드름, 선천, 감염 등과 같은 피부병이나 피부 자극을 앓고 있는 경우 제품을 사용하지 마십시오. 스테로이드 기반 약물을 복용하고 있는 경우 제품을 사용하지 마십시오.