

IMPORTANT SAFETY INSTRUCTIONS

When using a battery-operated appliance, basic safety precautions should always be followed, including the following:

Read all instructions before using this appliance.

WARNING

To reduce the risk of burns, fire, or injury to persons:

1. Close supervision is necessary when this appliance is used by, on, or near children or invalids.
2. Use this Trimmer for its intended household use as described in this manual. Do not use attachments not recommended by Philips Electronics North America Corporation.
3. Never operate this Trimmer if it is not working properly, if it has been dropped, damaged, or dropped into water. For assistance call 1-800-243-3050.
4. Keep the Trimmer away from heated surfaces.
5. Never drop or insert any object into any opening. Keep air openings free of lint, hair, etc.
6. Do not operate Trimmer outdoors or where aerosol (spray) products are being used or where oxygen is being administered.
7. Do not use this Trimmer with a damaged or broken cutter, as facial injury may occur.
8. If Trimmer will not be used on a regular basis, remove the battery to prevent possible damage due to chemical leakage. If battery does leak, remove it carefully. Do not allow bare skin to touch leaking fluid.
9. Never put Trimmer in direct sunlight or store at a temperature above 140°F/60°C.
10. This Trimmer is for use on human facial hair only. Do not use this Trimmer for any other purpose.

SAVE THESE INSTRUCTIONS

Registration

Congratulations on your purchase and welcome to Philips Norelco!

To fully benefit from the support that Philips Norelco offers, register your product at www.norelco.com/register

Put It To The Test

Like many new products, your Philips Norelco Trimmer may take a little getting used to. If you are using a Trimmer for the first time, or if you've been using a different brand, take the time to acquaint yourself with your new Trimmer.

Your Trimmer features the AccuControl System combined with adjustable length settings to make trimming facial hairs goof-proof.

Throw your scissors away and put your new Trimmer to the test. We guarantee precise, professional results or Philips Norelco will refund you the full purchase price, as long as the request is received within 45 days of purchase.

AccuControl System

The Philips Norelco AccuControl System puts you in complete control while trimming your facial hairs with no prior experience needed. The flexing Guide Comb adjusts automatically to hug the contours of your face for a trim that is both even and accurate. And, it's easy to maneuver over those hard-to-reach areas such as the throat and chin. The Hair Length Selector allows you to choose among 4 preset hair lengths and locks into position so you can control the exact hair length you desire or vary the length of your facial hair. The Philips Norelco AccuControl System with Hair Length Selector for professional, goof-proof results every time.

Inserting The Batteries

- ▶ Your new Trimmer requires 2 "AA" 1.5V alkaline or carbon zinc batteries.

To Insert Batteries

- 1 Be certain Trimmer is in the OFF position.
- 2 Hold Trimmer horizontally and press the release tabs located at base of Trimmer. Gently slide battery compartment out of Trimmer housing until it stops (fig. 1).

NOTE: Battery compartment is not removable.

- 3 Insert the batteries as shown making sure the (+) and (-) markings on the batteries match those on inside compartment of Trimmer (fig. 2).

- 4 Slide the battery compartment back into Trimmer housing (fig. 3).

NOTE: Trimmer will not operate if batteries are inserted incorrectly. If you do not intend to use the appliance for a long time, remove the batteries. Leaking batteries can cause damage to the product.

To Remove Batteries

- 1 Follow steps 1-2 above. Push the batteries out of the holder as shown (fig. 4).

Trimming

- ▶ Use this Trimmer for its intended household use as described in this manual.
- ▶ Always comb the beard and/or moustache with a fine comb before you start trimming.
- ▶ If you are trimming for the first time, be careful. Do not move the Trimmer too fast. Make smooth and gentle movements.
- ▶ After trimming, residual hair length can vary depending on hair type.

Trimming with AccuControl Guide Comb Attachment

- ▶ Guide Comb Attachment must be on Trimmer in order to use the Hair Length Selector.

- 1 Slide the Hair Length Selector to the desired trimming length setting (see table). The setting will appear in the window in the center of the Guide Comb attachment (fig. 5).

- ▶ If you are trimming for the first time, start by using the maximum trimming length setting (#4) to prevent accidentally trimming hairs too short. As you become familiar with the settings, adjust Hair Length Selector to desired trimming length. Selector will "click" into position at each setting.

- 2 Switch the Trimmer ON.

- 3 To trim in the most effective way, move the Trimmer against the direction of hair growth. Do not move the trimmer too fast. Make smooth and gentle movements and make sure the surface of the Guide Comb always stays in contact with the skin (fig. 6).

NOTE: Since all hairs do not grow in the same direction, you may want to try different trimming positions (i.e., upwards, downwards, or across). Practice is best for optimum results.

- 4 If cut hairs have accumulated in the Guide Comb, turn Trimmer off, remove the Comb Attachment by adjusting it to setting #4 and then pull it off the Trimmer (fig. 7).

- 5 Blow and/or shake the hair out of the comb (fig. 8). Replace the Guide Comb on Trimmer and adjust comb to the chosen setting.

Features

- A AccuControl System with Removable Guide Comb Attachment
 - B Selected Hair Length Setting Window
 - C 4 Length Settings
 - D 3-Dimensional Rounded Chromium Steel Cutter Blades
 - E On/Off Switch
 - F Cleaning Brush
- Full Two-Year Warranty
45-Day Money-Back Guarantee

Trimming Length Settings Table

| Settings | Resulting beard length |
|----------------------|------------------------|
| #1 "Stubble" Setting | 1/16in./1.5 mm |
| #2 Short | 1/8in./3 mm |
| #3 Medium | 3/16in./5 mm |
| #4 Long | 9/32in./7 mm |

Trimming For "Stubble" Look

- 1 Be certain Guide Comb is on Trimmer and use setting #1 to result in a "stubble" look. (fig. 9).

Trimming Without Guide Comb Attachment

Remove Guide Comb Attachment if you are:

- ▶ Defining hair lines
- ▶ Trimming nape of neck
- ▶ Removing single, unwanted hairs

- 1 Be certain Trimmer is in the OFF position.
- 2 Remove the Guide Comb Attachment by adjusting it to setting #4 and then pulling it off the Trimmer (fig. 10).

Never pull off the Guide Comb Attachment by grasping the flexible top portion. Always pull off by the bottom part of attachment.

- 3 Switch the Trimmer ON.
- 4 Make well-controlled movements. Touch the hair lightly with the Trimmer (fig. 11).

Replacing Guide Comb Attachment On Trimmer

- 1 Be certain Trimmer is in OFF position.
- 2 Replace Guide Comb Attachment until it "clicks" into position and adjust comb to the chosen setting. The Guide Comb Attachment can be placed on Trimmer only one way. If it does not fit properly, reverse it.

Cleaning

- ▶ Always switch Trimmer OFF before cleaning.
- ▶ Do not use abrasives, scourers or liquids such as alcohol, bleach or acetone to clean the Trimmer.
- ▶ Never clean, remove or replace Guide Comb Attachment with motor ON.
- ▶ Do not apply pressure to cutters.
- ▶ Do not touch cutters with hard objects as this may damage them.
- ▶ Do not use while bathing, showering or immerse the Trimmer in water or other liquids as damage to Trimmer may occur.

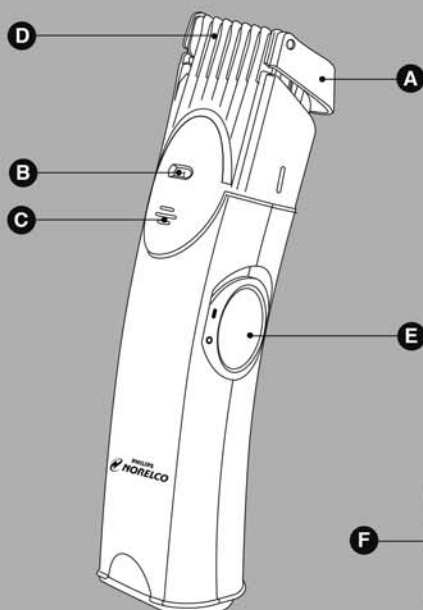
During Use:

- ▶ If cut hairs have accumulated in the Guide Comb area, turn Trimmer off, remove the Guide Comb Attachment by adjusting it to setting #4 and then pull it off Trimmer. Remove hairs by shaking and/or blowing.

Once A Week:

- 1 Make sure the Trimmer is switched OFF.
- 2 Remove the Guide Comb Attachment.
- 3 Open the cutting unit by pushing it backwards (fig. 12 #1).
- 4 Clean the cutting unit and the inside of the Trimmer with the brush supplied (fig. 12 #2).
- 5 Close the cutting unit by pushing it back into place on the Trimmer until you hear a click (fig. 13).

Features



PHILIPS

NORELCO

Beard and Moustache Trimmer

With AccuControl System

T510
Battery-Operated



Always here to help you

Register your product and get support at www.norelco.com/register



4203 000 4839 5

Full Two-Year Warranty

Philips Electronics North America Corporation warrants each new Philips Norelco product, Model T510 against defects in materials or workmanship for a period of two years (cutters for up to four years) from the date of purchase, and agrees to repair or replace any defective product without charge.

IMPORTANT: This warranty does not cover damage resulting from accident, misuse or abuse, lack of reasonable care, the affixing of any attachment not provided with the product or loss of parts or subjecting the product to any but the specific batteries.*

NO RESPONSIBILITY IS ASSUMED FOR ANY SPECIAL, INCIDENTAL OR CONSEQUENTIAL DAMAGES.

In order to obtain warranty service, simply go to www.philips.com/norelco or call 1-800-243-3050 for assistance. It is suggested that for your protection you return shipments of product by insured mail, insurance prepaid. Damage occurring during shipment is not covered by this warranty. **NOTE:** No other warranty, written or oral, is authorized by Philips Electronics North America Corporation. This warranty gives you specific legal rights, and you may also have other rights which vary from state to state. Some states do not allow the exclusion or limitation of incidental or consequential damages, so the above exclusion and limitations may not apply to you. *Read enclosed instructions carefully.

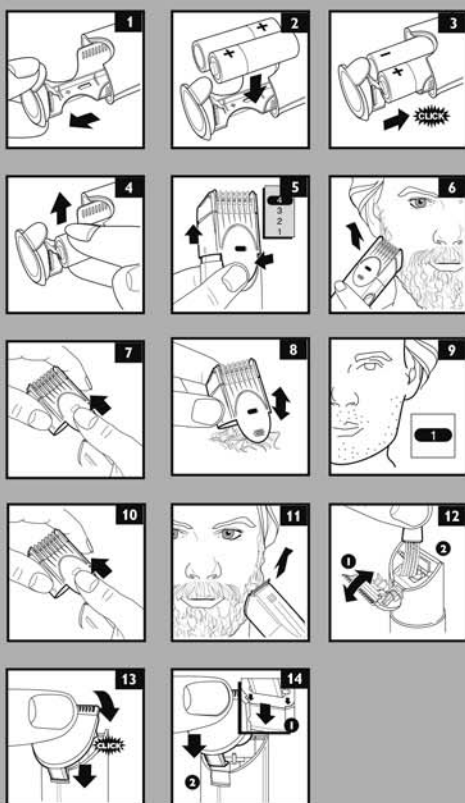
Manufactured for:
Philips Consumer Lifestyle
A division of Philips Electronics North America Corporation
P.O. Box 10313, Stamford, CT 06904

Norelco is a registered trademark of Philips Electronics North America Corporation.

AccuControl is a trademark of Philips Electronics North America Corporation.

PHILIPS is a registered trademark of Koninklijke Philips N.V.

© 2016 Philips Electronics North America Corporation. All Rights Reserved.



Replacing The Cutting Unit

If your cutters become damaged or worn, do not continue using the Trimmer. Replace cutters immediately.

- 1 Open the cutting unit.
- 2 Remove the old cutting unit by pulling it upwards.
- 3 Place the two notches of the new cutting unit into the guiding slots (fig. 14 #1).
- 4 Push the cutting unit back onto the Trimmer until you hear a 'click' (fig. 14 #2).

This Trimmer has no other user-serviceable parts. For assistance call 1-800-243-3050.

Storage

- Be sure Trimmer is turned off before storing in a safe, dry location where it will not be crushed, banged, or subject to damage.
- Do not place or store Trimmer where it can fall or be pulled into a tub or sink, water or other liquid.

Disposal

- Battery must be removed from the appliance before discarding.
- Dispose of battery properly. Do not incinerate. Battery may explode if overheated. Do not wrap in metal or aluminum foil. Wrap in newspaper before discarding.
- It is suggested that you contact your local town or city to determine proper battery drop-off locations.

Assistance

For assistance, visit our website:

www.philips.com/support
or call toll free 1-800-243-3050

Online information is available 24 hours a day, 7 days a week.

PHILIPS

NORELCO

45-DAY MONEY-BACK GUARANTEE

If you are not fully satisfied with your Philips Norelco Trimmer send the product back and we'll refund you the full purchase price.

The Trimmer must be shipped prepaid by insured mail, insurance prepaid, have the original sales receipt, indicating purchase price and date of purchase, and the money-back guarantee return authorization form enclosed. We cannot be responsible for lost mail.

The Trimmer must be postmarked no later than 45 days after the date of purchase.

Philips Norelco reserves the right to verify the purchase price of the product and limit refunds not to exceed suggested retail price.

To obtain money-back guarantee return authorization form, call 1-800-243-3050 for assistance.

Delivery of refund check will occur 6-8 weeks AFTER receipt of returned product.