



フィリップス 電動シェーバー
品番 S1040/04, S1041/03, S1031/04, S1035/04, S1045/04
取扱説明書

フィリップス シェーバーをお買い上げいただき、まことにありがとうございます。長い間ご愛用いただくために、ご使用前にこの取扱説明書をよくお読みください。正しくお使いください。また、お読みになった後は、お使いになる方がいつでも見られるところに必ず保管してください。

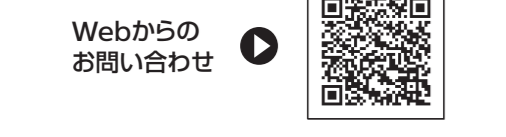


※改良の為、仕様を予告なく変更することがあります。

目次
1 必ずお守りください
2 各部の名称
3 充電の仕方
4 シェービングの仕方(ドライ)
5 シェービングの仕方(ウェット)
6 お手入れ方法
7 分解掃除の仕方
8 保護キャップの取り付け方
9 刃の交換
10 シェーバーを廃棄するとき
11 故障かな?と思ったら
12 アフターサービス
13 仕様
14 無料修理規定
Guidance in English

フィリップス 電動シェーバー 保証書
CERTIFICATE OF PURCHASE
この保証書は、「無料修理規定」記載内容で無料修理を行うことを約束するものです。お買い上げの日から下記期間中に故障が発生した場合は、フィリップスサポートセンターにお問い合わせください。

フィリップスサポートセンター
0120(944)859
受付時間:9:00~18:00(年末年始除く)



MyPhilips 登録のご案内
フィリップスでは、製品をより快適にご使用いただくために製品登録をおすすめています。MyPhilipsでは製品の保証書や購入証明書の写真も保護でき、万一購入証明書を紛失された場合にも安心です。

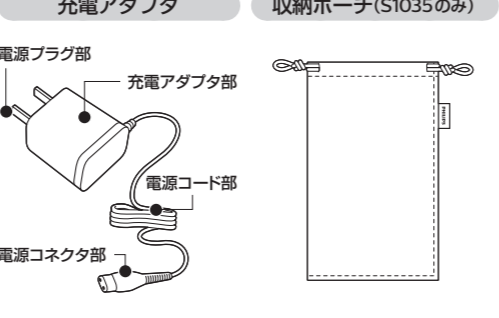
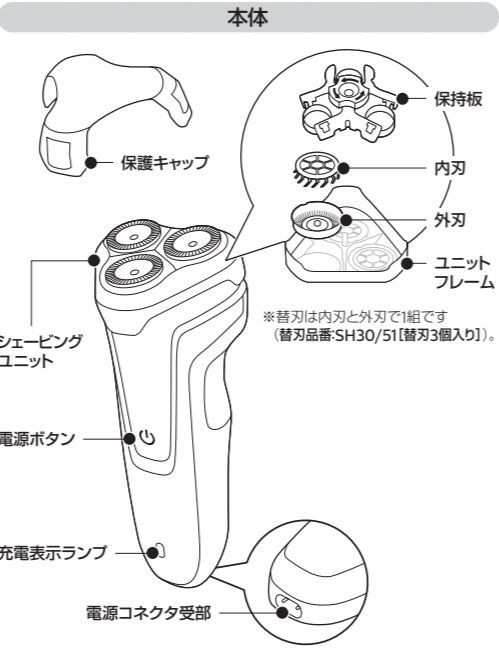
この印刷物は再生紙を使用しております。

注意
●充電アダプタの電源プラグを抜くときは、電源コード部を持たずに必ず先端の充電アダプタ部を持って引き抜いてください。感電の恐れがあります。
●充電機以外の、充電アダプタをコンセントから抜いてください。ケガや火傷、絶縁劣化による感電・漏電・火災の原因となります。

使用上のご注意
1 本製品はビグ(歯ごたえ)コングをシェービングするためのものです。それ以外の目的で使用しないでください。
2 フィリップスシェーバーを初めてお使いの方は、剃り方に慣れるまで2~3週間かかることがあります。

- 1 電源ボタンを押す。電源をONにします。
2 刃を前に軽く押して、円を描くように動かしながら剃ります。
3 シェービング後は電源ボタンを押す。電源をOFFにします。

2 各部の名称



3 充電の仕方

浴室で充電をしないでください。
お客様による充電アダプタの交換はできません。
満充電で約40分使用できます。

- 1 シェーバー本体の電源がOFFになっていることを確認してください。
2 充電アダプタの電源コネクタ部をシェーバー本体の電源コネクタ部に差し込みます。
3 ご家庭のコンセントに充電アダプタの電源プラグ部を差し込みます。

ポイント
●充電中、テレビ等に雑音が入る場合、別のコンセントで充電してください。
●充電中は本体・充電アダプタが多少熱くなりますが、異常ではありません。
●充電機の寿命は使用・保管などの状態により異なります。

4 シェービングの仕方(ドライ)

- 1 シェーバー本体は防水加工をしており、浴室でも使用できますが、水や液体の中に入れてはいけません(故障の原因となります)。
2 シェーバーの始動時、微弱な振動がシェーバー本体に伝わりますが、問題はありません。

- 1 シェービングユニットの前面を上を持ち上げてから背面を上を持ち上げ、本体からシェービングユニットを取り外します。
2 シェービングユニット受部、シェービングユニットの表と裏を、ぬるま湯または水でよくすすいでください。
3 シェービングユニットの余分な水を切り、よく乾かします。

5 シェービングの仕方(ウェット)

- 1 顔を濡らし、市販のシェービングフォームまたはシェービングジェルを付けます。
2 シェービングユニットを水で濡らし、肌の上でなめらかに動かします。
3 電源ボタンを押す。電源をONにします。

6 シェービングの仕方(ウェット)

- 1 顔を濡らし、市販のシェービングフォームまたはシェービングジェルを付けます。
2 シェービングユニットを水で濡らし、肌の上でなめらかに動かします。
3 電源ボタンを押す。電源をONにします。

7 シェービングの仕方(ウェット)

- 1 顔を濡らし、市販のシェービングフォームまたはシェービングジェルを付けます。
2 シェービングユニットを水で濡らし、肌の上でなめらかに動かします。
3 電源ボタンを押す。電源をONにします。

8 保護キャップの取り付け方

- 1 シェービング後は電源ボタンを押す。電源をOFFにします。
2 シェーバーをきれいに洗います。

9 刃の交換

- 1 シェービングユニットの前面を上を持ち上げてから背面を上を持ち上げ、本体からシェービングユニットを取り外します。
2 保持板の中央つまみを矢印の方向(反時計回り)に回し(図①)、上を持ち上げて取り外します(図②)。内刃と外刃を指すフックを指すフックより取り外します。

10 シェーバーを廃棄するとき

- 1 シェービングユニットの前面を上を持ち上げてから背面を上を持ち上げ、本体からシェービングユニットを取り外すことができます。
2 シェービングユニットの前面を上を持ち上げてから背面を上を持ち上げ、本体からシェービングユニットを取り外すことができます。

11 故障かな?と思ったら

- 1 シェービングユニットの前面を上を持ち上げてから背面を上を持ち上げ、本体からシェービングユニットを取り外します。
2 シェービングユニットの前面を上を持ち上げてから背面を上を持ち上げ、本体からシェービングユニットを取り外します。

12 保証とアフターサービス

保証書と修理サービスについて(必ずお読みください。)

13 仕様

Table with specifications: Model (S1040/04, S1041/03, S1031/04, S1035/04, S1045/04), Power (2W), Voltage (AC100V), etc.

14 無料修理規定

- 1 取扱説明書、本体貼付ラベル等の注意事項に従った正常な使用状態で保証期間内に故障した場合は、無料修理します。
2 保証期間内に故障して無料修理を受けられる場合には、フィリップスサポートセンターにお問い合わせください。

15 充電しても使用時間が極端に短い

- 1 シェーバーが完全に止まるまで動作させてから、もう一度充電してください。
2 シェーバー本体の電源ボタンを押しても作動しない。

16 充電できない

- 1 充電アダプタの電源プラグ部をコンセントにきちんと差し込んでみてください。
2 充電アダプタの電源コードが断線していないか確認してください。

17 保証とアフターサービス

保証書と修理サービスについて(必ずお読みください。)

18 仕様

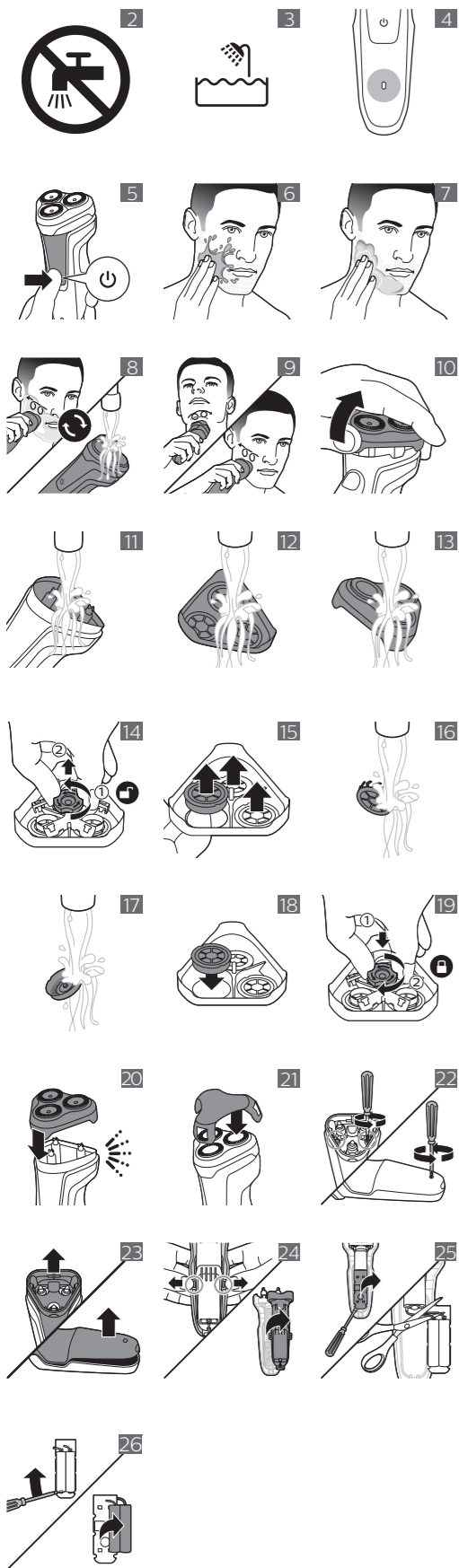
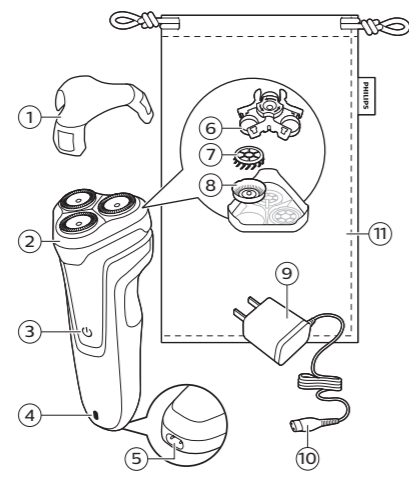
Table with specifications: Model (S1040/04, S1041/03, S1031/04, S1035/04, S1045/04), Power (2W), Voltage (AC100V), etc.

19 無料修理規定

- 1 取扱説明書、本体貼付ラベル等の注意事項に従った正常な使用状態で保証期間内に故障した場合は、無料修理します。
2 保証期間内に故障して無料修理を受けられる場合には、フィリップスサポートセンターにお問い合わせください。

20 保証とアフターサービス

保証書と修理サービスについて(必ずお読みください。)



General description (Fig. 1)

- 1 Protection cap
 - 2 Shaving unit
 - 3 On/off button
 - 4 Charging light
 - 5 Socket for small plug
 - 6 Retaining frame
 - 7 Cutter
 - 8 Guard
 - 9 Supply unit
 - 10 Small plug
 - 11 Pouch (S1035 only)
- Note: You can find the type number on the back of the shaver.

Introduction

Congratulations on your purchase and welcome to Philips! To fully benefit from the support that Philips offers, register your product at www.philips.com/welcome. Please read this user manual, as it contains information about the features of this shaver as well as some tips to make shaving easier and more enjoyable.

Important safety information

Read this important information carefully before you use the appliance and its accessories and save it for future reference. The accessories supplied may vary for different products.

Danger

- Keep the supply unit dry (Fig. 2).
- To charge the battery, only use the detachable supply unit (A00390) provided with the appliance.
- The supply unit contains a transformer. Do not cut off the supply unit to replace it with another plug, as this causes a hazardous situation.
- This appliance can be used by children aged from 8 years and above and persons with reduced physical, sensory or mental capabilities or lack of experience and knowledge if they have been given supervision or instruction concerning use of the appliance in a safe way and understand the hazards involved. Children shall not play with the appliance. Cleaning and user maintenance shall not be made by children without supervision.
- Always unplug the shaver before you clean it under the tap.
- Always check the appliance before you use it. Do not use the appliance if it is damaged, as this may cause injury. Always replace a damaged part with one of the original type.
- Do not open the appliance to replace the rechargeable battery.

Caution

- Never immerse the cleaning system or the charging stand in water and do not rinse it under the tap (Fig. 2).
- Never use water hotter than 60°C to rinse the shaver.
- Only use this appliance for its intended purpose as shown in the user manual.
- For hygienic reasons, the appliance should only be used by one person.
- Never use compressed air, scouring pads, abrasive cleaning agents or aggressive liquids such as petrol or acetone to clean the appliance.
- If your shaver comes with a cleaning system, always use the original Philips cleaning fluid (cartridge or bottle, depending on the type of cleaning system).
- Always place the cleaning system on a stable, level and horizontal surface to prevent leakage.
- If your cleaning system uses a cleaning cartridge, always make sure the cartridge compartment is closed before you use the cleaning system to clean or charge the shaver.
- When the cleaning system is ready for use, do not move it to prevent leakage of cleaning fluid.
- Water may drip from the socket at the bottom of the shaver when you rinse it. This is normal and not dangerous because all electronics are enclosed in a sealed power unit inside the shaver.
- Do not use the supply unit in or near wall sockets that contain an electric air freshener to prevent irreparable damage to the supply unit.

Electromagnetic fields (EMF)

This Philips appliance complies with all applicable standards and regulations regarding exposure to electromagnetic fields.

General

- This shaver is waterproof (Fig. 3). It is suitable for use in the bath or shower and for cleaning under the tap. For safety reasons, the shaver can therefore only be used without cord.
- The supply unit is suitable for mains voltages ranging from 100 to 240 volts.
- The supply unit transforms 100-240 volts to a safe low voltage of less than 24 volts.

Charging

Note: This appliance can only be used without cord.

When you charge the appliance for the first time or after a long period of disuse, let it charge for at least 10 hours. A fully charged appliance provides up to 40 minutes of shaving time. The shaving time may be less as a result of your shaving behavior, your cleaning habits or your beard type.

Charging with the supply unit

- 1 Make sure the shaver is switched off.
- 2 Put the small plug in the shaver and put the supply unit in the wall socket. The display of the shaver indicates that the shaver is charging.
- 3 After charging, remove the supply unit from the wall socket and pull the small plug out of the appliance.

Charge indications

Battery low

When the battery is almost empty, the appliance starts working more slowly.

Charging

When the appliance is charging, the charging light lights up white continuously (Fig. 4).

- The charging light will keep lighting up white when the appliance is fully charged.

Note: After charging, remove the supply unit from the wall socket and pull the small plug out of the appliance.

Using the appliance

Note: This appliance can only be used without cord.

Switching the appliance on and off

- 1 To switch the appliance on or off, press the on/off button once (Fig. 5).

Shaving tips

- Use the shaver with shaving gel or foam for extra skin comfort, or use the shaver dry for extra convenience.
- We advise you to use the shaver with shaving gel or foam when you use it for a wet shave. Do not use thick shaving cream or shaving oil with this shaver.
- When you use the shaver for dry shaving, we advise you to make sure your skin is fully dry so that the shaver glides smoothly over your skin.
- For best results on skin comfort, pre-trim your beard if you have not shaved for 3 days or longer.
- For optimal shaving results, make circular movements during use.
- The shaver is waterproof and can be used in the bath or shower.
- Your skin may need 2 or 3 weeks to get accustomed to the Philips shaving system.

Wet shaving

For a more comfortable shave, you can also use this appliance on a wet face with shaving foam or shaving gel.

- To shave with shaving foam or shaving gel, follow the steps below:
- 1 Apply some water to your skin (Fig. 6).
 - 2 Apply shaving foam or shaving gel to your skin (Fig. 7).
 - 3 Rinse the shaving unit under the tap to ensure that the shaving unit glides smoothly over your skin (Fig. 8).
 - 4 Switch on the appliance.
 - 5 Move the shaving heads over your skin in circular movements to catch all hairs growing in different directions (Fig. 9). Make sure each shaving head is fully in contact with the skin. Exert gentle pressure for a close, comfortable shave.

Note: Rinse the shaving unit regularly to ensure that it continues to glide smoothly over your skin.

- 6 Dry your face.
- 7 Clean the appliance after use (see 'Cleaning and maintenance').

Note: Make sure you rinse all foam or shaving gel off the appliance.

Dry shaving

- 1 Switch on the appliance.
- 2 Move the shaving heads over your skin in circular movements to catch all hairs growing in different directions (Fig. 9). Make sure each shaving head is fully in contact with the skin. Exert gentle pressure for a close, comfortable shave.

Note: Do not press too hard, this can cause skin irritation.

- 3 Clean the appliance after use (see 'Cleaning and maintenance').

Cleaning and maintenance

Cleaning the shaver under the tap

Clean the shaver after every shave for optimal performance. Always unplug and switch off the appliance before you clean it.

Note: Water may leak from the socket at the bottom of the shaver when you rinse it. This is normal and not dangerous because all electronics are enclosed in a sealed power unit inside the shaver.

Be careful with hot water. Always check if the water is not too hot, to prevent burning your hands.

Never dry the shaving unit with a towel or tissue, as this may damage the shaving heads.

- 1 Hold the shaving unit and first lift the front, then the back upwards of the appliance (Fig. 10).
- Note: Make sure to hold the shaving unit while doing so.
- 2 Rinse the hair chamber under the tap (Fig. 11).
- 3 Rinse the inside of the shaving unit under a warm tap (Fig. 12).
- 4 Rinse the outside of the shaving unit under a warm tap (Fig. 13).

Thorough cleaning

- 5 Turn the lock anticlockwise and remove the retaining frame from the shaving unit (Fig. 14).
 - 6 Remove and clean one shaving head at a time (Fig. 15). Each shaving head consists of a cutter and a guard.
- Do not clean more than one cutter and guard at a time, since they are all matching sets. If you accidentally mix up the cutters and guards, it may take several weeks before optimal shaving performance is restored.

- 7 Remove the cutter from the shaving guard and rinse it with water (Fig. 16).
- 8 Rinse the inside and outside of the shaving guard with water (Fig. 17).
- 9 Put the shaving heads back into the shaving unit (Fig. 18). Make sure that the projections of the shaving heads fit exactly into the recesses.
- 10 Put the retaining frame back into the shaving unit and turn the lock clockwise (Fig. 19).
- 11 Reattach the shaving unit (Fig. 20).

Note: If you cannot reattach the shaving unit properly, check if you have inserted the shaving heads properly and if the retaining frame is locked.

- 12 Carefully shake off excess water, open the shaving unit again and leave it open to let the shaving unit air dry completely.

Caution: Be careful not to hit the shaving unit against anything while you shake off excess water.

Storage

Protection cap

We advise you to let the appliance dry before you put the protection cap on it.

- 1 Switch off the appliance.
- 2 Put the protection cap on the shaving unit after use to prevent damage and to avoid dirt accumulation in the shaving heads (Fig. 21).

Pouch (S1035 only)

Note: Make sure the appliance is dry before you store it in the pouch.

- 1 Switch off the appliance.
- 2 Store the appliance in the pouch.

Replacement

Replacing the shaving heads

For maximum shaving performance, we advise you to replace the shaving heads every two years. Replace damaged shaving heads immediately. Always replace the shaving heads with original Philips shaving heads* (see 'Ordering accessories').

- 1 Switch off the appliance and disconnect it from the power outlet.

- 2 Hold the shaving unit and first lift the front, then the back upwards of the appliance.
- Note: Make sure to hold the shaving unit while doing so.
- 3 Turn the lock anticlockwise and remove the retaining frame.
- 4 Remove the shaving heads and place new ones in the shaving unit. Make sure that the projections of the shaving heads fit exactly into the recesses.
- 5 Put the retaining frame back into the shaving unit and turn the lock clockwise (Fig. 19).
- 6 Reattach the shaving unit.

Note: If you cannot reattach the shaving unit properly, check if you have inserted the shaving heads properly and if the retaining frame is locked.

Ordering accessories

To buy accessories or spare parts, visit www.shop.philips.com/service or go to your Philips dealer. You can also contact the Philips Consumer Care Center in your country (see the international warranty leaflet for contact details).

The following accessories and spare parts are available:

- SH30/S1 Philips shaving heads

Note: Availability of the accessories may differ by country.

Recycling

- Do not throw away the product with the normal household waste at the end of its life, but hand it in at an official collection point for recycling. By doing this, you help to preserve the environment.
- This product contains a built-in rechargeable battery which shall not be disposed of with normal household waste. Please take your product to an official collection point or a Philips service center to have a professional remove the rechargeable battery.
- Follow your country's rules for the separate collection of electrical and electronic products and rechargeable batteries. Correct disposal helps prevent negative consequences for the environment and human health.

Removing the rechargeable battery

Only remove the rechargeable battery when you discard the shaver. Before you remove the battery, make sure that the shaver is disconnected from the mains and that the battery is completely empty.

Take any necessary safety precautions when you handle tools to open the shaver.

Be careful, the battery strips are sharp.

- 1 Disconnect the shaver from the wall socket.
 - 2 Let the shaver operate until it stops.
 - 3 Remove the screws in the back of the shaver and in the hair chamber (Fig. 22).
 - 4 Remove the top part of the shaver (Fig. 23).
 - 5 Remove the front panel and the back panel (Fig. 23).
 - 6 Take out the power unit (Fig. 24).
- Be careful, the hooks are sharp.**
- 7 Bend the snap hooks aside and remove the transparent cover of the power unit (Fig. 24).
 - 8 Lift out the battery holder and cut the wires with a pair of cutting pliers or scissors (Fig. 25).
 - 9 Bend the battery tags aside with a screwdriver (Fig. 26).
 - 10 Remove the rechargeable batteries.

Warranty and support

If you need information or support, please visit www.philips.com/support or read the international warranty leaflet.

Warranty restrictions

The shaving heads (cutters and guards) are not covered by the terms of the international warranty because they are subject to wear.

Troubleshooting

This chapter summarizes the most common problems you could encounter with the appliance. If you are unable to solve the problem with the information below, visit www.philips.com/support for a list of frequently asked questions or contact the Consumer Care Center in your country.

Problem	Possible cause	Solution
The shaver does not shave as well as it used to.	The shaving heads are damaged or worn.	Replace the shaving heads.
	Foam or gel residues clog up the shaving heads.	Rinse the shaving unit under a hot tap.
	You have not inserted the shaving heads properly.	Make sure that the projections of the shaving heads fit exactly into the recesses.
The shaver does not work when I press the on/off button.	The rechargeable battery is empty.	Recharge the battery.
The shaver does not work, although it is connected to the mains.	This shaver is not designed to be used directly from the mains.	Recharge the battery and disconnect the shaver from the mains.
My skin is slightly irritated after shaving.	Your skin has not yet adapted to the new shaving system.	Wait at least three weeks to allow your skin to adapt to the shaver. Do not use different shaving methods during this period, it will be easier for your skin to adapt.
	Your skin is sensitive to dry shaving.	Use the shaver with shaving gel or shaving foam and with plenty of water for extra skin comfort.
	You are only shaving with water.	Use the shaver with shaving gel or shaving foam and with plenty of water for extra skin comfort.
	Your skin is irritated by the type of foam you use.	Use the shaver with shaving gel or shaving foam and with plenty of water for extra skin comfort.