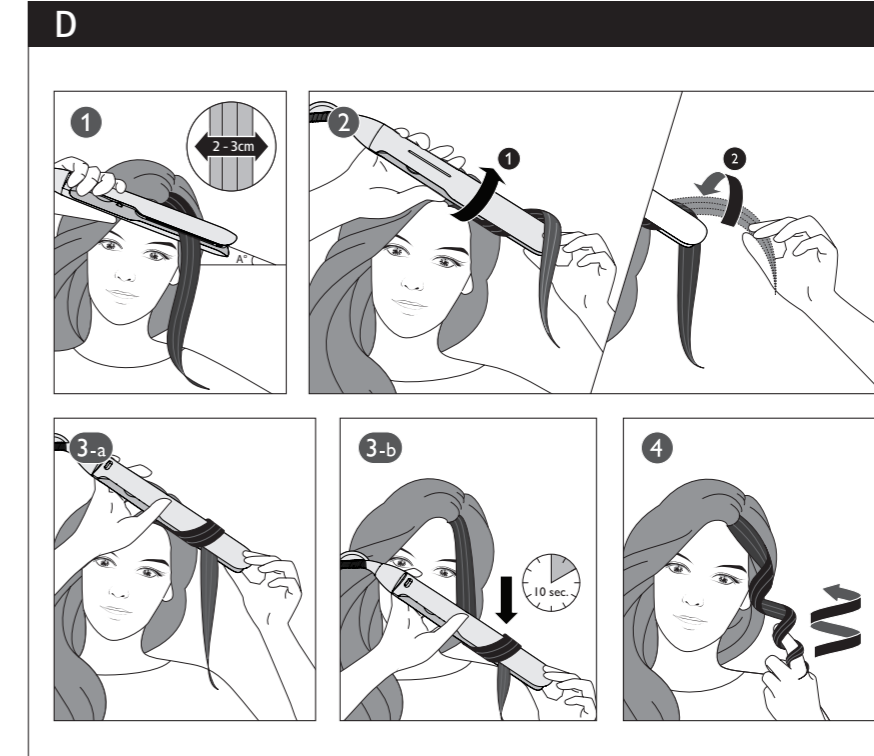
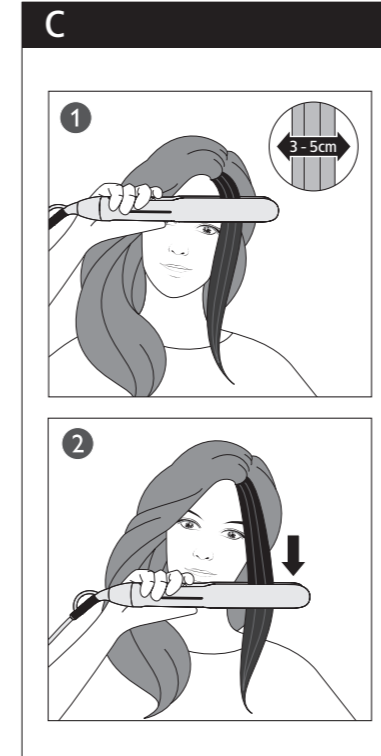
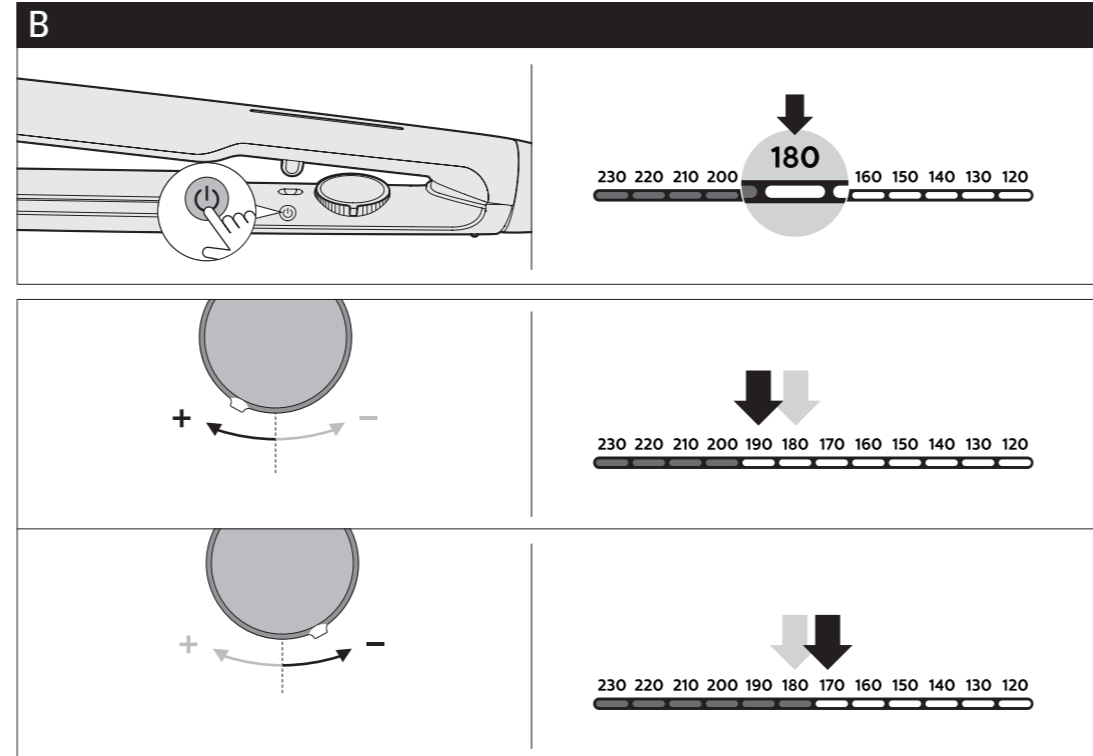
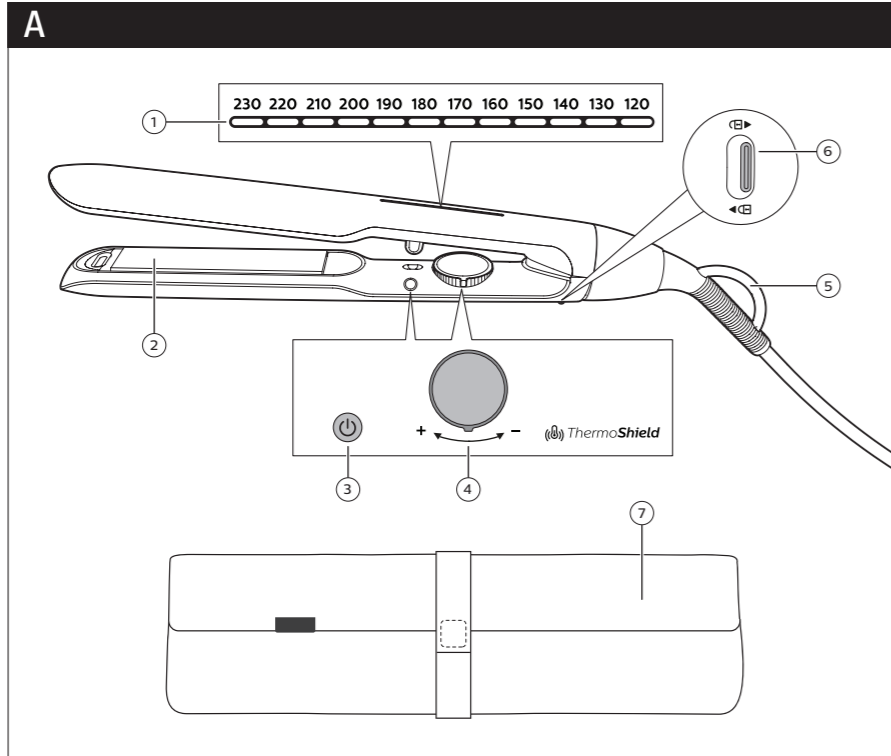


PHILIPS

BH5510

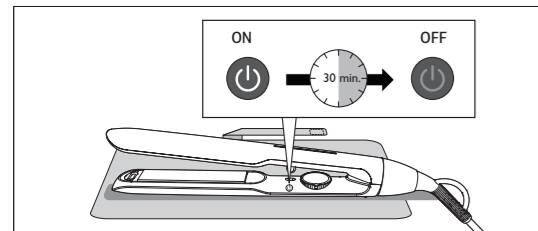
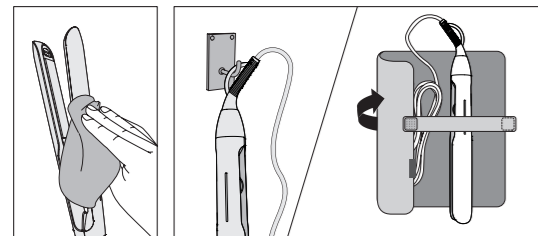
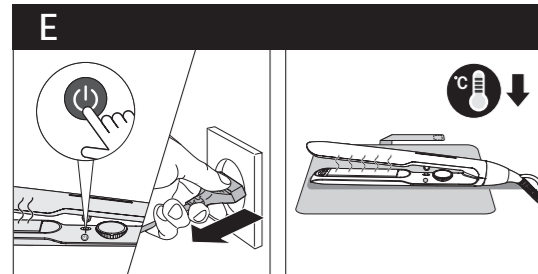


Specifications are subject to change without notice  
 © 2023 Koninklijke Philips N.V.  
 All rights reserved.



3000.080.3026.2 ( 25/04/2023 )

>75 % recycled paper



## English

Congratulations on your purchase, and welcome to Philips! To fully benefit from the support that Philips offers, register your product at [www.philips.com/welcome](http://www.philips.com/welcome).

### 1 Important

Read this user manual carefully before you use the appliance and keep it for future reference.

- **WARNING:** Do not use this appliance near water.
- When the appliance is used in a bathroom, unplug it after use since the proximity of water presents a risk, even when the appliance is switched off.
- **WARNING:** Do not use this appliance near bathtubs, showers, basins or other vessels containing water.
- Always unplug the appliance after use.
- If the main cord is damaged, you must have it replaced by Philips, a service centre authorised by Philips or similarly qualified persons in order to avoid a hazard.
- This appliance can be used by children aged from 8 years and above and persons with reduced physical, sensory or mental capabilities or lack of experience and knowledge if they have been given supervision or instruction concerning use of the appliance in a safe way and understand the hazards involved. Children shall not play with the appliance. Cleaning and user maintenance shall not be made by children without supervision.



- For additional protection, we advise you to install a residual current device (RCD) in the electrical circuit that supplies the bathroom. This RCD must have a rated residual operating current not higher than 30mA. Ask your installer for advice.
- Before you connect the appliance, ensure that the voltage indicated on the appliance corresponds to the local power voltage.
- Do not use the appliance for any other purpose than described in this manual.
- Do not use the appliance on artificial hair.
- When the appliance is connected to the power, never leave it unattended.
- Never use any accessories or parts from other manufacturers or that Philips does not specifically recommend. If you use such accessories or parts, your guarantee becomes invalid.
- Do not wind the main cord round the appliance.
- Wait until the appliance has cooled down before you store it.
- Pay full attention when using the appliance since it could be extremely hot. Only hold the handle as other parts are hot and avoid contact with the skin.
- Always place the appliance on a heat-resistant, stable flat surface. The hot heating plates should never touch the surface or other flammable material.
- Avoid the main cord from coming into contact with the hot parts of the appliance.
- Keep the appliance away from flammable objects and material when it is switched on.
- Never cover the appliance with anything (e.g. a towel or clothing) when it is hot.
- Only use the appliance on dry hair.
- Do not operate the appliance with wet hands.
- Keep the heating plates clean and free of dust and styling products such as mousse, spray and gel. Never use the appliance in combination with styling products.
- The heating plates has coating. This coating might slowly wear away over time. However, this does not affect the performance of the appliance.
- If the appliance is used on color-treated hair, the heating plates may be stained.
- Always return the appliance to a service centre authorized by Philips for examination or repair. Repair by unqualified people could result in an extremely hazardous situation for the user.
- Do not insert metal objects into the ionizer outlet to avoid electric shock.
- Do not pull on the power cord after using. Always unplug the appliance by holding the plug.
- Burn hazard. Keep appliance out of reach from young children, particularly during use and cool down.

### Electromagnetic fields (EMF)

This Philips appliance complies with all applicable standards and regulations regarding exposure to electromagnetic fields.

### Recycling

- This symbol means that electrical products shall not be disposed of with normal household waste.
- Follow your country's rules for the separate collection of electrical products.



### 2 Overview

- ① Display panel
- ② Heating plates
- ③ Power on/off button
- ④ Temperature dial
- ⑤ Hanging loop
- ⑥ Closing lock
- ⑦ Heating mat

### 3 Before use

- Select your desired setting according to your hair type. Please refer to the below table. Always select a lower setting when you use the straightener for the first time.

Hair Type	Temperature Range
Thick, coarse, curly, hard-to-straighten	210-230°C
Normal, medium-textured or softly waved	180-200°C
Fine, pale, blonde, bleached or color-treated	170°C or below

### Tips to create better curls:

- Take smaller strands of hair for better results.
- Use hand to flip hair tips over straightener after turning.
- Hold the tip of straightener for better control in turning and pulling through.
- Gently relax the grip on the handle as you pull your hair through.

### Note:

- **The ion function is activated when the appliance is switched on, providing additional shine and reduces frizz. You may smell a special odor and hear a sizzling noise. It is common because they are caused by the ion generator.**
- **Do not insert the appliance into the pouch while it is still hot.**
- **The appliance is equipped with an auto-shut off function. After 30 minutes, the appliance switches off automatically.**

### 4 Guarantee and service

If you need information e.g. about replacement of an attachment or if you have a problem, please visit the Philips website at [www.philips.com/support](http://www.philips.com/support) or contact the Philips Customer Care Centre in your country (you find its phone number in the worldwide guarantee leaflet). If there is no Consumer Care Centre in your country, go to your local Philips dealer.