

Register your product and get support at
www.philips.com/welcome

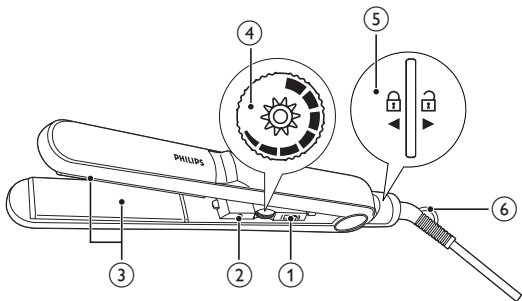
Straightener

HP4686/22



EN **User manual**

PHILIPS



Congratulations on your purchase, and welcome to Philips! To fully benefit from the support that Philips offers, register your product at www.philips.com/welcome.

1 Important

Read this user manual carefully before you use the appliance and keep it for future reference.

- **WARNING:** Do not use this appliance near water.
- When the appliance is used in a bathroom, unplug it after use since the proximity of water presents a risk, even when the appliance is switched off.
- **WARNING:** Do not use this appliance near bathtubs, showers, basins or other vessels containing water.
- Before you connect the appliance, ensure that the voltage indicated on the appliance corresponds to the local power voltage.
- Do not use the appliance for any other purpose than described in this manual.
- Only use the appliance on dry hair. Do not use the appliance on artificial hair.
- Keep the hot surfaces of the appliance away from your skin.
- When the appliance is connected to the power, never leave it unattended.
- Always unplug the appliance after use.
- When the appliance is hot, keep it on a heat-resistant surface and never cover the appliance with anything, such as a towel or clothing.
- Never use any accessories or parts from other manufacturers or that Philips does not specifically recommend. If you use such accessories or parts, your guarantee becomes invalid.
- Do not wind the mains cord round the appliance.
- If you use the appliance on color-treated hair, the straightening plates may stain.



- If the mains cord is damaged, you must have it replaced by Philips, a service centre authorised by Philips or similarly qualified persons in order to avoid a hazard.
- This appliance is not intended for use by persons (including children) with reduced physical, sensory or mental capabilities, or lack of experience and knowledge, unless they have been given supervision or instruction concerning use of the appliance by a person responsible for their safety.
- Children should be supervised to ensure that they do not play with the appliance.
- For additional protection, we advise you to install a residual current device (RCD) in the electrical circuit that supplies the bathroom. This RCD must have a rated residual operating current not higher than 30mA. Ask your installer for advice.

Electromagnetic fields (EMF)

This appliance complies with all standards regarding electromagnetic fields (EMF). If handled properly and according to the instructions in this user manual, the appliance is safe to use based on scientific evidence available today.

Environment

Do not throw away the appliance with the normal household waste at the end of its life, but hand it in an official collection point for recycling. By doing this, you help to preserve the environment.



2 Straighten your hair

Ensure that you select a temperature setting that is suitable for your hair. Always select a low setting when you use the straightener for the first time.

Hair Type	Temperature Setting
Coarse, curly, hard-to-straighten	Mid to High
Fine, medium-textured or softly waved	Low to Mid
Pale, blonde, bleached or color-treated	Low

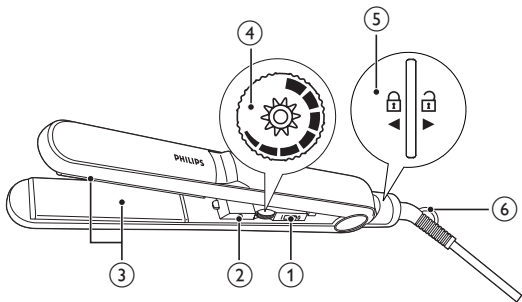
- 1 Connect the plug to a power supply socket.
- 2 Set the on/off switch (①) to **I**.
↳ The green power-on indicator (②) lights up.
- 3 Turn the temperature wheel (④) to select a suitable temperature setting for your hair.
↳ Let the appliance heat up for at least 30 seconds.
- 4 If the straightening plates are locked, unlock them (⑤).
- 5 Comb your hair and take a section that is not wider than 5cm for straightening.
- 6 Place it between the straightening plates (③) and press the handles together.
- 7 Slide the straightener down the length of the hair in a single motion (max. 5 seconds) from root to end, without stopping to prevent overheating.
- 8 After 20 seconds, repeat step 7 until you achieve the desired look.
- 9 To straighten the rest of your hair, repeat steps 5 to 8.

After use:

- 1 Switch off the appliance and unplug it.
- 2 Place it on a heat-resistant surface until it cools down.
- 3 Clean the appliance and straightening plates by damp cloth.
- 4 Lock the straightening plates (⑤).
- 5 Keep it in a safe and dry place, free of dust. You can also hang it with the hanging loop (⑥) or store it in the supplied pouch.

3 Guarantee and service

If you need information or if you have a problem, please visit the Philips website at www.philips.com or contact the Philips Customer Care Centre in your country (you find its phone number in the worldwide guarantee leaflet). If there is no Consumer Care Centre in your country, go to your local Philips dealer.



© Royal Philips Electronics N.V. 2009
All rights reserved.

Specifications are subject to change without notice.
Trademarks are the property of Koninklijke Philips
Electronics N.V. or their respective owners.

3140 035 21352



100% recycled paper
100% papier recyclé