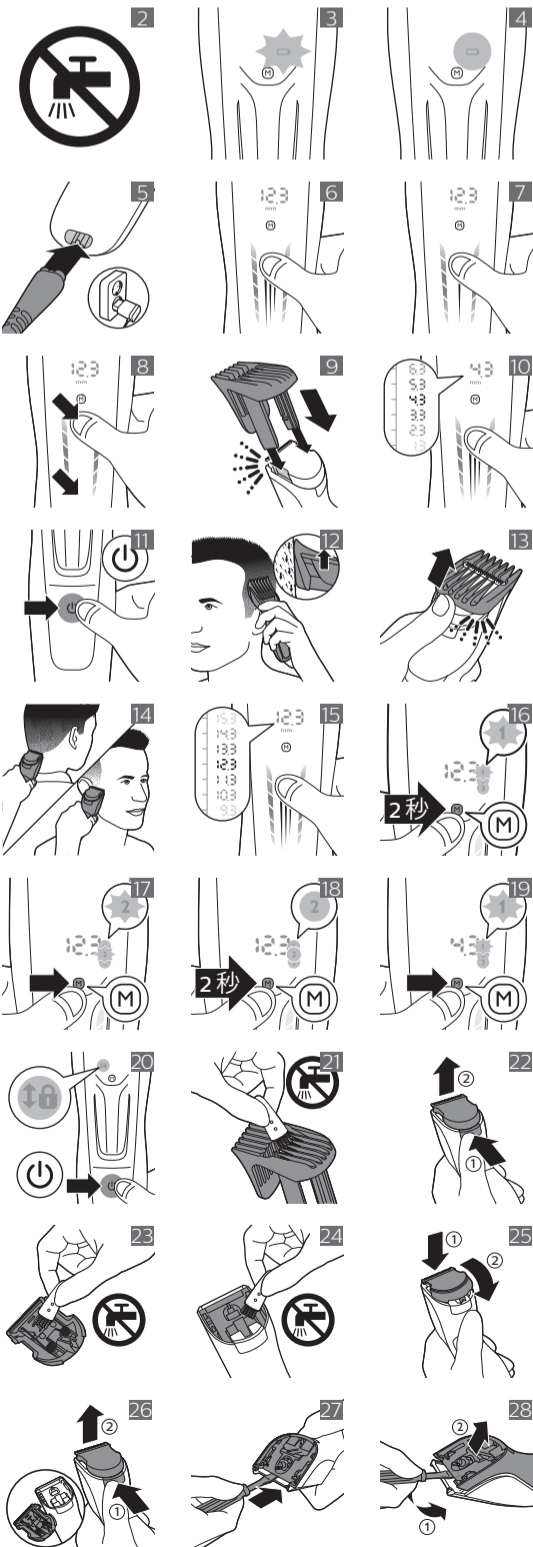
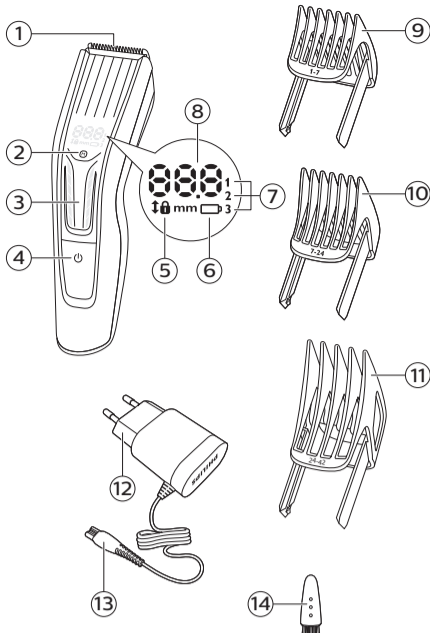




© 2017 Koninklijke Philips N.V.  
 All rights reserved  
 保留所有权利  
 4222.002.8558.4 (13/12/2017)  
 > 75% 循环再造纸

>75% recycled paper  
 >75% papier recyclé





English

## General description

- 1 Cutting unit
- 2 Memory button
- 3 Touch area
- 4 On/off button
- 5 Length setting lock
- 6 Charging light
- 7 Length settings
- 8 Display
- 9 Trimming comb 1-7 mm
- 10 Trimming comb 7-24 mm
- 11 Trimming comb 24-42 mm
- 12 Adapter
- 13 Small plug
- 14 Cleaning brush

## Important safety information

Read this important information carefully before you use the appliance and its accessories and save it for future reference. The accessories supplied may vary for different products.

### Danger

- Keep the supply unit dry (Fig. 2).

### Warning

- To charge the battery, only use the detachable supply unit (type HQ8505) provided with the appliance.
- The supply unit contains a transformer. Do not cut off the supply unit to replace it with another plug, as this causes a hazardous situation.
- This appliance can be used by children aged from 8 years and above and persons with reduced physical, sensory or mental capabilities or lack of experience and knowledge if they have been given supervision or instruction concerning use of the appliance in a safe way and understand the hazards involved. Children shall not play with the appliance. Cleaning and user maintenance shall not be made by children without supervision.
- Always check the appliance before you use it. Do not use the appliance if it is damaged, as this may cause injury. Always replace a damaged part with one of the original type.
- Do not open the appliance to replace the rechargeable battery.

### Caution

- This appliance is not washable. Never immerse the appliance in water and do not rinse it under the tap (Fig. 2).
- Only use this appliance for its intended purpose as shown in the user manual.
- For hygienic reasons, the appliance should only be used by one person.
- Never use compressed air, scouring pads, abrasive cleaning agents or aggressive liquids such as petrol or acetone to clean the appliance.
- Do not use the supply unit in or near wall sockets that contain an electric air freshener to prevent irreparable damage to the supply unit.

## Electromagnetic fields (EMF)

This Philips appliance complies with all applicable standards and regulations regarding exposure to electromagnetic fields.

## General

- The supply unit is suitable for mains voltages ranging from 100 to 240 volts.
- The supply unit transforms 100-240 volts to a safe low voltage of less than 24 volts.

## Charging

Charge the appliance fully before you use it for the first time or if you have not used it for a long time. It takes approximately 1 hour to fully charge the appliance.

When it is fully charged, the appliance has an operating time of up to 120 minutes.

Note: After charging the appliance once fully for the first time, you can also use the appliance directly from the mains. Simply connect the appliance to the mains.

## Charging indications

### Battery low indication

- When the battery is almost empty, the charging light starts to flash orange (Fig. 3).

### Charging

- When the appliance is charging, the charging light flashes blue.

### Battery fully charged

- When the battery is fully charged, the charging light lights up blue continuously (Fig. 4).

Note: After approx. 30 minutes, the charging light goes out to save energy.

## Charging with the supply unit

- 1 Make sure the appliance is switched off.
- 2 Insert the small plug into the appliance (Fig. 5).
- 3 Put the supply unit in the wall socket.
- 4 After charging, remove the supply unit from the wall socket and pull the small plug out of the appliance.

## Optimising the lifetime of the rechargeable battery

When you have charged the appliance for the first time, we advise you to use it until the battery is completely empty. Continue to use the appliance until the motor almost stops operating during a session. Then recharge the battery. Follow this procedure at least twice a year.

## Using the appliance

The hair length settings are indicated in millimetres. The settings correspond to the remaining hair length after trimming.

**Warning: Be careful when you trim for the first time. Do not move the trimmer too fast. Make smooth and gentle movements.**

Tip: Start trimming at a high length setting and reduce the length setting gradually until you have reached the desired hair length.

## Using the display

This appliance has a swipe and tap display that you can use in three different ways:

- Quickly swipe your thumb or a finger across the touch area to scroll through the length settings quickly (Fig. 6).

Quickly swipe your thumb or a finger across the touch area to scroll through the length settings quickly (Fig. 7).

- Tap on the bottom or top part of the touch area to go through the length settings one by one. To scroll through the length settings automatically in steps of 0.1 mm, tap and hold the bottom or top part of the touch area (Fig. 8).

## Trimming with comb

There are 3 different combs:

- 1-7 mm
- 7-24 mm
- 24-42 mm

- 1 Attach one of the combs to the appliance (Fig. 9).
- 2 Swipe upwards or downwards to select the desired length setting (Fig. 10).

Note: When you trim for the first time, start at the highest length setting to familiarise yourself with the appliance.

- 3 Switch on the appliance (Fig. 11).
- 4 To trim most effectively, move the trimmer against the hair growth direction. Make sure that the surface of the comb always stays in contact with the skin (Fig. 12).

Note: Make sure that the flat part of the comb always stays in contact with the skin to obtain an even result.

## Trimming without comb

Use the trimmer without the trimming comb to trim hair close to the skin (0.5 mm) or to contour the neckline and sideburns.

**Caution: Be careful when you trim without comb because the cutting unit removes every hair it touches.**

- 1 Push the comb off the appliance (Fig. 13).
- 2 Switch on the appliance.
- 3 Touch the hair lightly with the trimmer. Make well-controlled movements (Fig. 14).

## Features (Fig. 1)

### Memory settings

The appliance has a memory which allows you to save 3 length settings that you use often.

#### Saving a setting

- 1 Swipe upwards or downwards to select the desired length setting (Fig. 10).
- 2 To enter the memory, press the 'M' button for 2 seconds (Fig. 16).  
Number 1 starts to flash.

Note: To select number 2 or 3 in the memory, press the 'M' button again (Fig. 17) (once for number 2 and twice for number 3).

- 3 To save a length setting as number 1, 2 or 3 of the memory settings, press the on/off button for 2 seconds (Fig. 16).  
The display shows the word 'SET' when the length setting is correctly saved. Number 1, 2 or 3 lights up continuously to indicate that the setting has been saved.

#### Selecting a memory setting

- 1 To enter the memory, press the 'M' button for 2 seconds (Fig. 16).  
Number 1 starts to flash.

Note: To select number 2 or 3 in the memory, press the 'M' button again (Fig. 17) (once for number 2 and twice for number 3).

### Length setting lock

This feature prevents accidental changing of the length setting during trimming. Every time you switch on the appliance, the length setting lock is activated. You can only change the length setting if you switch off the appliance.

- 1 Swipe upwards or downwards to select the desired length setting (Fig. 10).
- 2 Switch on the appliance.  
The lock symbol starts to flash. You cannot change the length setting anymore.

Note: If you want to select a different length setting, switch off the appliance. Swipe on the display to select the desired length setting and switch on the appliance again.

## Cleaning

**Warning: Never use scouring pads, abrasive cleaning agents or aggressive liquids such as petrol or acetone to clean the appliance.**

**Warning: Never immerse the appliance in water, or rinse it under the tap.**

- 1 Make sure that the appliance is switched off and disconnected from the mains.
- 2 Wipe the housing of the appliance with a dry cloth.
- 3 Remove the comb and clean it with the cleaning brush (Fig. 21).
- 4 Press the release button. The cutting unit comes off the appliance (Fig. 22).
- 5 Clean the cutting unit with the cleaning brush (Fig. 23).
- 6 Clean the inside of the appliance with the cleaning brush (Fig. 24).
- 7 Insert the lug of the cutting unit into the guiding slot and push the cutting unit back onto the appliance (Fig. 22).

Note: If the message 'CL' is shown on the display, too much hair has collected between the comb and the cutting unit. Remove the comb and cutting unit and clean them with the cleaning brush supplied. Also clean the top edge of the handle with the cleaning brush supplied.

## Replacement

Only replace a worn or damaged cutting unit with an original Philips cutting unit, available from authorized Philips service center.

- 1 Press the release button. The cutting unit comes off the appliance (Fig. 22).
- 2 Insert the lug of the new cutting unit into the guiding slot and push the cutting unit onto the appliance (Fig. 25).

## Ordering accessories

To buy accessories or spare parts, visit [www.shop.philips.com/service](http://www.shop.philips.com/service) or go to your Philips dealer. You can also contact the Philips Consumer Care Center in your country (see the international warranty leaflet for contact details).

## Recycling

- Do not throw away the product with the normal household waste at the end of its life, but hand it in at an official collection point for recycling. By doing this, you help to preserve the environment.
- This product contains a built-in rechargeable battery which shall not be disposed of with normal household waste. Please take your product to an official collection point or a Philips service center to have a professional remove the rechargeable battery.
- Follow your country's rules for the separate collection of electrical and electronic products and rechargeable batteries. Correct disposal helps prevent negative consequences for the environment and human health.

## Removing the rechargeable battery

Only remove the rechargeable battery when you discard the product. Before you remove the battery, make sure that the product is disconnected from the wall socket and that the battery is completely empty.

Note: We strongly advise you to have a professional remove the rechargeable battery.

**Caution: Only remove the rechargeable battery if it is completely empty.**

- 1 Disconnect the appliance from the mains and let the appliance operate until the motor stops.
- 2 Press the release button. The cutting unit comes off the appliance (Fig. 22).
- 3 Insert the screwdriver between the motor unit and the back panel of the appliance. Press down the screwdriver as far as it will go (Fig. 27).
- 4 Tilt the handle of the screwdriver downwards and separate the back panel from the appliance (Fig. 28).
- 5 Remove the side panels. Pull the bottom part of the printed circuit board with the rechargeable batteries attached from the appliance.
- 6 Cut the wires to separate the rechargeable batteries from the appliance (Fig. 29).

**Danger: Do not connect the appliance to the mains again after you have opened it.**

## Warranty and support

If you need information or support, please visit [www.philips.com/support](http://www.philips.com/support) or read the international warranty leaflet.

### Warranty restrictions

Cutting units are not covered by the terms of the international warranty because they are subject to wear.

### Guarantee restrictions

Cutting units are not covered by the terms of the international guarantee because they are subject to wear.

## Troubleshooting

This chapter summarizes the most common problems you could encounter with the appliance. If you are unable to solve the problem with the information below, visit [www.philips.com/support](http://www.philips.com/support)

for a list of frequently asked questions or contact the Consumer Care Center in your country.

<b>Problem</b>	<b>Possible cause</b>	<b>Solution</b>
The appliance produces an uneven cutting result.	The comb does not touch the skin when you move the appliance through the hair.	Make sure the comb is always fully in contact with the skin when you move the appliance through the hair.
	You only move the appliance in one direction.	Because not all hairs grow in the same direction, move the appliance in different directions (upwards, downwards and across).
	The setting of the comb has changed during trimming.	Check the setting of the comb. If you push the appliance too hard onto the scalp, you may accidentally change the setting of the comb.
	The comb is not assembled correctly.	Detach the comb and reattach it.
	The cutting performance decreases when the cutting unit and the comb are dirty.	Clean the cutting unit and the comb (see 'Cleaning').
The appliance does not work when I switch it on.	The rechargeable battery is empty	Charge the appliance. Make sure that the small plug is inserted into the appliance properly and the supply unit is connected to the wall socket properly.
I cannot select the desired length setting.	The desired length setting is not available for the comb you put on the appliance.	Make sure you use the comb that offers the desired length setting. The length settings are indicated on the front of the comb (1-7, 7-24 or 24-42). The appliance automatically detects the comb by its length settings and only allows you to select the length settings available for that particular comb.
	The appliance is switched on.	Switch off the appliance. You can only change the length setting if the appliance is switched off.
The length setting I set is not stored in the memory.	You did not save the length setting in the memory in the right way	To save a length, set the comb at the desired length and press the on/off button for 2 seconds. Use the precision wheel to select memory 1, 2 or 3 and press the on/off button for 2 seconds to save.
	The setting you want to select from the memory is not available for the comb you put on the appliance.	The memory allows you to save 3 lengths for each comb. Make sure you use the comb that offers the desired length setting. The length settings are indicated on the front of the comb (1-7, 7-24 or 24-42). The appliance automatically detects the comb by its length settings and only allows you to select the length settings available for that particular comb.
I cannot store the appliance in its storage case.	The comb is on the appliance and the auto retract has not taken place yet	60 seconds after switching off the appliance, the comb is automatically retracted in the lowest length. Wait until the comb is retracted before you put the appliance with comb into the storage case.
The message 'CL' is shown on the display.	Too much hair has collected between the comb and the cutting unit.	Remove the comb and cutting unit and clean them with the cleaning brush supplied. Also clean the top edge of the handle with the cleaning brush supplied.

## 基本说明

- 1 修剪部件
- 2 存储按钮
- 3 触摸区
- 4 开/关按钮
- 5 长度设定锁
- 6 充电指示灯
- 7 长度设定
- 8 显示屏
- 9 修剪梳 1-7 毫米
- 10 修剪梳 7-24 毫米
- 11 修剪梳 24-42 毫米
- 12 适配器
- 13 小插头
- 14 清洁刷

## 重要安全信息

使用本产品及其附件之前，请仔细阅读本重要信息，并妥善保管以供日后参考。随附的附件可能因产品而异。

## 危险

- 保持电源部件干燥 (图 2)。

## 警告

- 要给电池充电，请仅使用该产品随附的可拆卸电源部件（类型 HQ8505）。
- 电源部件中包含一个变压器。请勿自行更换电源部件的插头，否则将导致严重后果。
- 本产品也可以由 8 岁或以上年龄的儿童以及肢体不健全、感觉或精神上有障碍或缺乏相关经验和知识的人士使用，但前提是有人对他们使用本产品进行监督或指导，以确保他们安全使用，并且让他们明白相关的危害。切勿让儿童玩弄本产品。不要让儿童在无人监督的情况下对本产品进行清洁和保养。
- 使用前，请务必检查产品。请勿使用损坏的产品，否则可能对人体造成伤害。请务必用原装型号更换损坏的部件。
- 切勿拆开本产品更换充电电池。

## 警告

- 本产品不可水洗。切勿将本产品浸入水中，也不要在水龙头下冲洗 (图 2)。
- 警告符号注释：禁止在打开的水龙头下进行清洗 (图 2)。
- 只能将本产品用于用户手册中所示的原定用途。
- 出于卫生的目的，本产品只能供一个人使用。
- 切勿使用压缩气体、钢丝绒、研磨性清洁剂或腐蚀性液体（例如汽油或丙酮）来清洁产品。
- 请勿在包含电动空气清新器的墙壁插座上或其周围使用电源部件，以免电源部件受到不可修复的损坏。

## 电磁场 (EMF)

本 Philips 产品符合所有有关暴露于电磁场的适用标准和法规。

## 概述

- 电源部件适合在 100 - 240 伏的电源电压下工作。
- 该电源部件可将 100-240 伏的电压转换为 24 伏以下的安全低电压。

## 充电

首次使用前或长时间不用之后，请为产品充满电。

本产品充满电约需要 1 小时。

充满电后，该产品可以使用长达 120 分钟。

注意：当首次为产品充满电后，您也可以通过直接插电来使用本产品。只需将本产品连接至电源即可使用。

## 充电指示

### 电池电量低指示

- 电池电量即将用尽时，充电指示灯会呈橙色 (图 3) 闪烁。

### 充电

- 产品充电时，充电指示灯会呈蓝色闪烁。

### 电池已完全充满

- 电池充满电后，充电指示灯会呈蓝色持续 (图 4) 亮起。

注意：大约 30 分钟后，充电指示灯熄灭以节省能源。

## 使用电源部件充电

- 1 确保产品电源已关闭。
- 2 将小插头插入产品 (图 5)。
- 3 将电源部件插入电源插座。
- 4 充电之后，从电源插座上拔下电源部件，并从本产品上拔下小插头。

## 优化充电电池寿命

首次为产品充电后，建议您将产品一直使用到电池耗尽为止。一直使用本产品，直到马达在修剪过程中几乎停止运行。然后再为电池充电。每年至少两次遵循此流程。

## 使用本产品

须发长度设置以毫米为单位。设定值对应修剪后须发剩余的长度。

**警告：首次修剪时要特别小心。请勿过快移动修剪器。应确保动作轻柔流畅。**

提示：从较高的长度设定开始修剪，逐步减小长度设定，直至达到所需的须发长度。

## 使用显示屏

本产品配有可滑动和轻击的显示屏，可以三种不同方式使用：

- 在触摸区域快速滑动拇指或其他手指，快速 (图 6) 滚动查看长度设定。

在触摸区域快速滑动拇指或其他手指，快速 (图 7) 滚动查看长度设定。

- 轻击触摸区域的底部或顶部，逐一查看长度设定。轻击并按住触摸区域 (图 8) 的底部或顶部，能够以 0.1 毫米为间隔自动滚动查看长度设定。

## 使用修剪梳修剪

配有 3 种不同的修剪梳：

- 1-7 毫米
- 7-24 毫米
- 24-42 毫米

- 1 将其中一个修剪梳安装到产品 (图 9) 上。
- 2 向上或向下滑动即可选择所需的长度设定 (图 10)。

注意：第一次修剪时，从最高的长度设定开始修剪，以熟悉产品的使用方法。

- 3 启动产品 (图 11)。
- 4 如需以最高效率进行修剪，请逆着须发生长的方向移动修剪器。确保修剪梳的表面始终接触皮肤 (图 12)。

注意：确保修剪梳的扁平部分始终接触到皮肤，以获得均匀的修剪效果。

### 不使用修剪梳修剪

使用不带修剪梳的修剪器以贴近皮肤的距离 (0.5 毫米) 修剪须发或修整颈部和鬓角的轮廓。

警告：由于修剪部件会去除接触到的每一根须发，因此在不带修剪梳修剪时要特别小心。

- 1 将修剪梳从产品 (图 13) 中推出。
- 2 启动产品。
- 3 用修剪器轻轻触碰须发。必须控制好产品的移动 (图 14)。

## 功能 (图 1)

### 存储设定

本产品具有存储器，可以保存常用的 3 档长度设定。

#### 保存设定

- 1 向上或向下滑动即可选择所需的长度设定 (图 10)。
- 2 要进入存储器，请按“M”按钮 2 秒 (图 16) 钟。编号 1 将开始闪烁。

注意：要选择存储器中的编号 2 或 3，请再次 (图 17) 按“M”按钮 (按一下对应编号 2，按两下对应编号 3)。

- 3 要将长度设定以编号 1、2 或 3 存入存储器，请按下开/关按钮 2 秒 (图 16) 钟。正确保存长度设定后，显示屏将显示“已设定”。编号 1、2 或 3 持续亮起，表示设定已保存。

#### 选择记忆的设定

- 1 要进入存储器，请按“M”按钮 2 秒 (图 16) 钟。编号 1 将开始闪烁。

注意：要选择存储器中的编号 2 或 3，请再次 (图 17) 按“M”按钮 (按一下对应编号 2，按两下对应编号 3)。

#### 长度设定锁

此功能可防止在修剪过程中意外更改长度设定。每次打开产品时，长度设定锁均处于激活状态。只可以在关闭产品后更改长度设定。

- 1 向上或向下滑动即可选择所需的长度设定 (图 10)。
- 2 启动产品。锁定符号开始闪烁。此时无法继续更改长度设定。

注意：如果您要选择其他长度设定，请先关闭产品。在显示屏上轻扫以选择所需的长度设定，然后再次打开产品。

## 清洁

**警告：切勿使用钢丝球、研磨性清洁剂或腐蚀性液体 (例如汽油或丙酮) 来清洁本产品。**

**警告：切勿将本产品浸入水中，也不要在水龙头下冲洗。**

- 1 确保产品电源关闭并已将电源插头拔出。
- 2 使用干布擦拭产品表面。
- 3 取下修剪梳并用清洁刷 (图 21) 进行清洁。
- 4 按下释放按钮。修剪部件将与产品 (图 22) 分离。
- 5 用清洁刷 (图 23) 清洁修剪部件。
- 6 用清洁刷 (图 24) 清洁产品内部。
- 7 将修剪部件的凸缘插入导向槽，然后将修剪部件推回到产品 (图 22) 上。

注意：如果显示屏上显示“CL”，则表示修剪梳和修剪部件间积聚了太多须发。卸下修剪梳和修剪部件，使用随附的清洁刷进行清洁。同样使用随附的清洁刷清洁手柄上缘。

## 更换

只允许使用原装飞利浦修剪部件替换磨损或损坏的修剪部件，原装部件可从经授权的飞利浦服务中心获得。

- 1 按下释放按钮。修剪部件将与产品 (图 22) 分离。
- 2 将新修剪部件的凸缘插入导向槽，然后将修剪部件推到产品 (图 25) 上。

## 订购配件

要购买附件或备件，请访问

[www.shop.philips.com/service](http://www.shop.philips.com/service) 或联系您的飞利浦经销商。您还可以联系所在国家/地区的飞利浦客户服务中心 (请参阅全球保修卡了解详细联系信息)。

## 回收

- 弃置本产品时，请不要将其与一般生活垃圾放在一起，应将其交给政府指定的回收中心。这样做将有利于环保。
- 此产品包含内置充电电池：请勿将充电电池与一般生活垃圾一起弃置。请您将产品送到官方收集中心或飞利浦服务中心，请专业人士移除充电电池。
- 遵循您的国家/地区有关分类回收电子电气产品和充电电池的规定。正确弃置产品有助于避免对环境和人类健康造成不良后果。

## 拆下充电电池

必须在丢弃本产品前取出充电电池。卸下电池之前，请确保本产品与电源断开连接并且电池电量已耗尽。

注意：强烈建议您让专业人员取下充电电池。

警告：电池电量完全耗尽后方可取出充电电池。

- 1 断开产品电源并让产品继续运行，直到马达停止。
- 2 按下释放按钮。修剪部件将与产品 (图 22) 分离。
- 3 将螺丝刀插入马达装置和产品后面板之间。尽量 (图 27) 向下按压螺丝刀。
- 4 向下倾斜螺丝刀杆，然后使后面板与产品 (图 28) 分离。
- 5 拆除侧面板。从产品中拉出装有充电电池的印刷电路板的下半部分。
- 6 剪断电线以将充电电池与产品 (图 29) 分开。

**危险：一旦打开产品，请勿再将其与电源相连。**

## 保修和支持

如需信息或支持，请访问 [www.philips.com/support](http://www.philips.com/support) 或阅读国际保修卡。

## 保修条款

修剪部件不在国际保修条款的涵盖范围之内，因为修剪部件属于易磨损物品。

产品中有害物质的名称及含量						
部件名称	有害物质					
	铅 (Pb)	汞 (Hg)	镉 (Cd)	六价铬 (Cr (VI))	多溴联苯 (PBB)	多溴二苯醚 (PBDE)
PCB's 集成电路板	X	O	O	O	O	O
Electrical contact pins 电接触片	X	O	O	O	O	O
Power plug 电源插头	X	O	O	O	O	O
Internal metal parts 内部金属件	X	O	O	O	O	O

本表格依据SJ/T 11364的规定编制。  
O: 表示该有害物质在该部件所有均质材料中的含量均在GB/T 26572规定的限量要求以下。  
X: 表示该有害物质至少在该部件的某一均质材料中的含量超出GB/T 26572规定的限量要求。

## 保修条款

修剪部件不在国际保修条款的涵盖范围之内，因为修剪部件属于易磨损物品。

## 故障种类和处理方法


本章归纳了使用本产品时最常见的一些问题。如果您无法根据以下信息解决问题，请访问

[www.philips.com/support](http://www.philips.com/support) 查阅常见问题列表，或联系您所在国家/地区的客户服务中心。

问题	可能的原因	解决方法
产品的修剪效果不均匀。	产品在头发上推动时没有触碰到头皮。	修剪梳在头发上推动时，请确保修剪梳始终与皮肤完全接触。
	您只向一个方向移动产品。	由于并非所有头发都向一个方向生长，请朝不同方向移动产品（向上、向下以及交叉）。
	修剪过程中修剪梳的设置有所更改。	检查修剪梳的设置。如果您将产品过于用力地按在头皮上，您可能会意外更改修剪梳的设置。
	修剪梳组装不正确。	卸下修剪梳，重新安装。
	如果修剪部件和修剪梳不干净，修剪性能会下降。	清洁修剪部件和修剪梳（请参见“清洁”）。
启动产品后，产品无法工作。	充电电池的电量已耗尽	为产品充电。确保小插头正确插入产品，且电源部件正确连接到电源插座。
我无法选择所需的长度设定。	所需的长度设定不适用于安装在产品上的修剪梳。	确保使用提供所需长度设定的修剪梳。长度设定值位于修剪梳的正面（1-7、7-24 或 24-42）。本产品会自动检测修剪梳的长度设定，只允许您选择适合此修剪梳的长度设定。
	产品已打开。	关闭产品。如果产品电源已关闭，则只能更改长度设定。
所设置的长度设定未存入存储器。	您未将长度设定正确存入存储器	要保存长度，请将修剪梳设定在所需长度，然后按下开/关按钮 2 秒钟。使用精准转轮选择记忆 1、2 或 3，然后按下开/关按钮 2 秒钟以保存。
	您想从存储器中选择的设定不适用于安装在产品上的修剪梳。	存储器允许您为每把修剪梳保存三个长度。确保使用提供所需长度设定的修剪梳。长度设定值位于修剪梳的正面（1-7、7-24 或 24-42）。本产品会自动检测修剪梳的长度设定，只允许您选择适合此修剪梳的长度设定。
无法将产品存放于存储盒中。	修剪梳未从产品上取下，且尚未自动缩回	产品关闭 60 秒后，修剪梳会自动缩回至最短长度。等到修剪梳缩回后再将带有修剪梳的产品放入存储盒。
显示屏将显示“CL”信息。	修剪梳和修剪部件间积聚了太多须发。	卸下修剪梳和修剪部件，使用随附的清洁刷进行清洁。同样使用随附的清洁刷清洁手柄上缘。

**PHILIPS**

产品 : 飞利浦电动理发器  
型号 : HC 9450  
额定电压 : 220V ~  
额定频率 : 50Hz  
额定输入功率: 9W  
生产日期 : 请见产品本体  
产地 : 中国广东深圳



飞利浦(中国)投资有限公司  
上海市静安区灵石路718号A1幢  
全国顾客服务热线: 4008 800 008

本产品根据国标 GB4706.1-2005, GB4706.9-2008制造